



US00D924840S

(12) **United States Design Patent**
Pedersen

(10) **Patent No.:** **US D924,840 S**
(45) **Date of Patent:** **** Jul. 13, 2021**

(54) **HEADBAND BRACKET FOR A HEADSET FOR TELEPHONE AND COMMUNICATION EQUIPMENT**

- (71) Applicant: **GN AUDIO A/S**, Ballerup (DK)
- (72) Inventor: **Rasmus Trudslev Pedersen**, Ballerup (DK)
- (73) Assignee: **GN AUDIO A/S**, Ballerup (DK)
- (**) Term: **15 Years**
- (21) Appl. No.: **29/732,366**
- (22) Filed: **Apr. 23, 2020**

Related U.S. Application Data

- (62) Division of application No. 29/670,994, filed on Nov. 21, 2018, now Pat. No. Des. 898,711.

(30) **Foreign Application Priority Data**

- Jun. 6, 2018 (EM) 005299229-0001
- Jun. 6, 2018 (EM) 005299229-0002
- Jun. 6, 2018 (EM) 005299229-0003

(51) **LOC (13) Cl.** **14-01**

(52) **U.S. Cl.**
USPC **D14/205**

(58) **Field of Classification Search**
USPC D14/205, 206, 225, 240, 243, 188, 192;
D29/112; 2/209; 379/430, 431, 433.01,
(Continued)

(56) **References Cited**

U.S. PATENT DOCUMENTS

- D246,259 S 11/1977 Nishimura
- D246,519 S 11/1977 Kato

(Continued)

FOREIGN PATENT DOCUMENTS

- CN 303478980 12/2015
- CN 305227307 6/2018

(Continued)

Primary Examiner — Paula Allen Greene

(74) *Attorney, Agent, or Firm* — Hamre, Schumann, Mueller & Larson, P.C.

(57) **CLAIM**

The ornamental design for a headband bracket for a headset for telephone and communication equipment, as shown and described.

DESCRIPTION

FIG. 1 is a front view of a headband bracket for a headset for telephone and communication equipment showing the new design.

FIG. 2 is bottom plan view of FIG. 1 thereof.

FIG. 3 is a top plan view of FIG. 1 thereof.

FIG. 4 is a right side plan view of FIG. 1 thereof.

FIG. 5 is a left side plan view of FIG. 1 thereof.

FIG. 6 is a rear plan view of FIG. 1 thereof.

FIG. 7 is a front perspective view of FIG. 1 thereof.

FIG. 8 is a front view of a second embodiment of a headband bracket for a headset for telephone and communication equipment showing the new design.

FIG. 9 is bottom plan view of FIG. 8 thereof.

FIG. 10 is a top plan view of FIG. 8 thereof.

FIG. 11 is a right side plan view of FIG. 8 thereof.

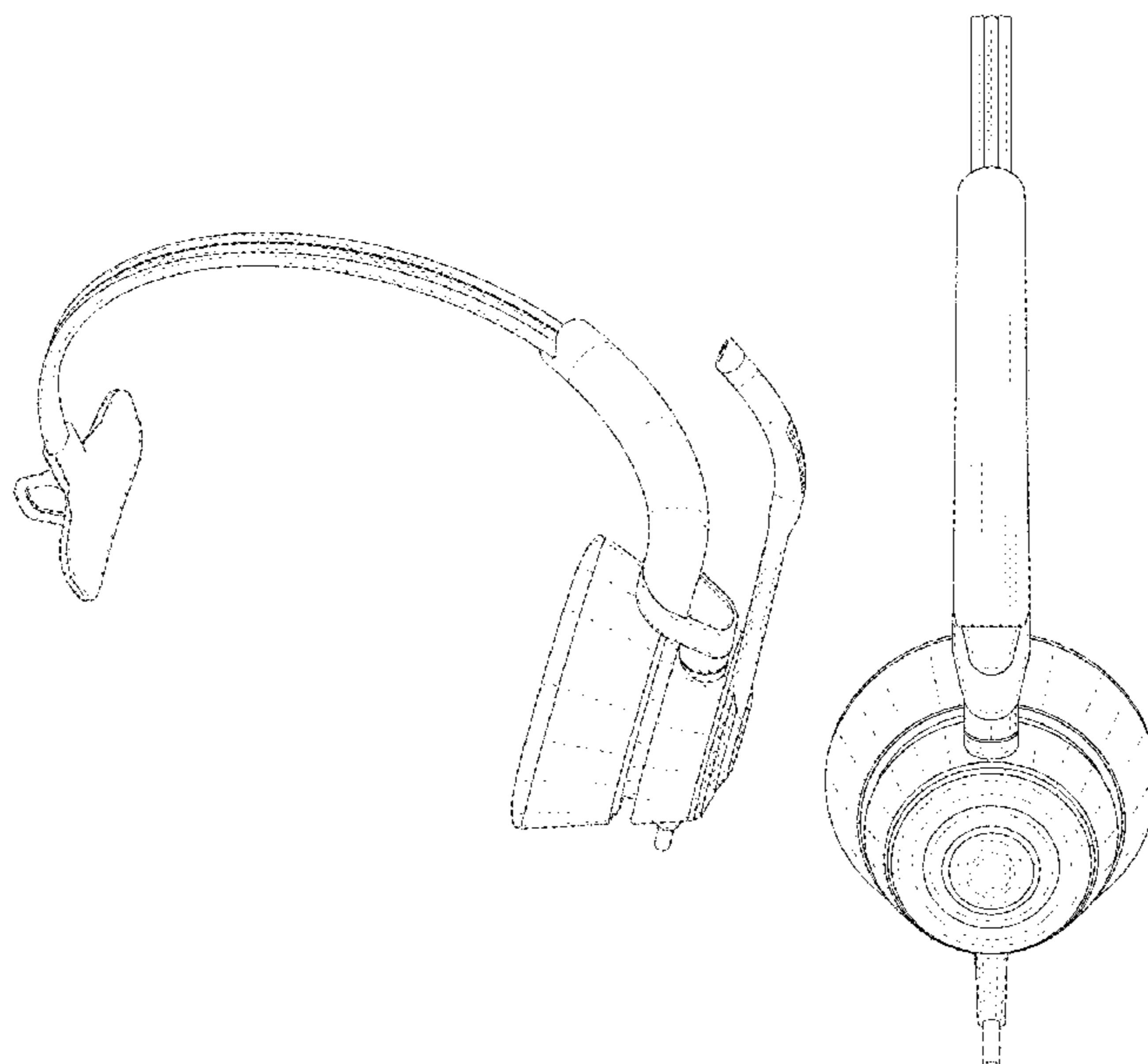
FIG. 12 is a left side plan view of FIG. 8 thereof.

FIG. 13 is a rear plan view of FIG. 8 thereof; and,

FIG. 14 is a front perspective view of FIG. 8 thereof.

The features shown in broken lines depict environmental subject matter only and form no part of the claimed design.

1 Claim, 14 Drawing Sheets



US D924,840 S

<p>(58) Field of Classification Search</p> <p>USPC 379/433.03; 381/380, 381, 374; 455/90.3, 575.1, 569.1</p> <p>CPC H04R 25/00; H04R 1/1066; H04R 1/1016; H04R 5/033; H04R 5/0335; H04R 1/1091; H04R 19/04; H04R 1/105; H04R 1/1083</p> <p>See application file for complete search history.</p>	<p>7,172,052 B2 * 2/2007 Lenhard-Backhaus H04R 1/1066 181/129</p> <p>D538,785 S * 3/2007 Skulley D14/206</p> <p>D539,267 S 3/2007 Komiyama</p> <p>D539,788 S 4/2007 Thompson</p> <p>D539,789 S 4/2007 Rausch</p> <p>D540,303 S 4/2007 Rausch</p> <p>D540,778 S * 4/2007 Thompson D14/206</p> <p>D541,256 S 4/2007 Rausch</p> <p>7,245,737 B2 * 7/2007 Amae H04R 1/1066 381/374</p>
<p>(56) References Cited</p> <p style="text-align: center;">U.S. PATENT DOCUMENTS</p>	<p>D548,728 S 8/2007 Yoshiyama</p> <p>D549,686 S 8/2007 Leung</p> <p>D549,688 S * 8/2007 Suzuki D14/205</p> <p>D552,076 S 10/2007 Griffin</p> <p>D556,155 S 11/2007 Andre et al.</p> <p>D560,228 S 1/2008 Andre et al.</p> <p>D563,382 S 3/2008 Wikel</p> <p>D565,023 S 3/2008 Yamagishi</p> <p>D566,104 S * 4/2008 Suzuki D14/223</p> <p>D567,215 S 4/2008 Lee</p> <p>7,356,362 B2 4/2008 Chang</p> <p>D568,827 S 5/2008 Ikeda</p> <p>7,388,960 B2 6/2008 Kuo</p> <p>D573,957 S 7/2008 Ledbetter</p> <p>D577,715 S 9/2008 Lim et al.</p> <p>D582,890 S 12/2008 Koza</p> <p>D587,684 S * 3/2009 Ham D14/205</p> <p>D588,098 S 3/2009 Kurihara</p> <p>7,519,196 B2 * 4/2009 Bech H04R 1/105 381/371</p>
<p>D286,874 S 11/1986 Bertagna</p> <p>D288,299 S 2/1987 Mark</p> <p>D291,198 S 8/1987 Bellini</p> <p>4,899,135 A 2/1990 Ghahariiran</p> <p>5,018,599 A 5/1991 Dohi</p> <p>D318,053 S * 7/1991 Ludeke D14/206</p> <p>D337,116 S * 7/1993 Hattori D14/206</p> <p>D344,730 S * 3/1994 Gattey D14/206</p> <p>D345,163 S 3/1994 Yamatogi</p> <p>D346,802 S 5/1994 Sacherman</p> <p>5,369,857 A 12/1994 Sacherman</p> <p>5,406,037 A 4/1995 Nageno</p> <p>D377,020 S * 12/1996 Bungardt D14/205</p> <p>D394,437 S * 5/1998 Landreth D14/206</p> <p>D401,911 S 12/1998 Hwang</p> <p>D410,466 S 6/1999 Mouri</p> <p>D410,921 S * 6/1999 Luchs D14/142</p> <p>D415,115 S 10/1999 Kawashima</p> <p>D420,356 S 2/2000 Suzuki</p> <p>6,154,539 A * 11/2000 Pitel H04M 1/05 379/430</p>	<p>D592,640 S 5/2009 Tkachuk</p> <p>D593,995 S 6/2009 Shimizu</p> <p>D596,623 S 7/2009 Laine</p> <p>D597,070 S * 7/2009 Zheng D14/205</p> <p>D597,535 S 8/2009 Brennwald</p> <p>D597,986 S 8/2009 Millora</p> <p>D601,543 S * 10/2009 Bentley D14/206</p> <p>D602,001 S * 10/2009 Bentley D14/206</p> <p>D602,906 S 10/2009 Groves</p> <p>D603,370 S * 11/2009 Suzuki D14/205</p> <p>D604,266 S 11/2009 Milde</p> <p>D605,168 S 12/2009 Jaakkola</p> <p>D606,521 S 12/2009 Birger</p> <p>D608,767 S 1/2010 Linér</p> <p>D609,221 S 2/2010 Kim et al.</p> <p>D611,935 S 3/2010 Wikel et al.</p> <p>D613,273 S 4/2010 Linér et al.</p> <p>D617,769 S 6/2010 Birger</p> <p>D625,705 S * 10/2010 Ohori D14/205</p> <p>D628,189 S 11/2010 Rath</p> <p>D634,732 S 3/2011 Kondo</p> <p>D635,962 S * 4/2011 Kelley D14/223</p> <p>D638,000 S * 5/2011 Hoggarth D14/206</p> <p>D639,776 S 6/2011 Arimoto</p> <p>D643,405 S * 8/2011 Rath D14/206</p> <p>D645,023 S 9/2011 Brandis</p> <p>D646,668 S 10/2011 Birger</p> <p>D648,330 S 11/2011 Fischer</p> <p>3,061,473 A1 11/2011 Kerr</p> <p>D652,017 S 1/2012 Groves</p> <p>D654,471 S * 2/2012 Fischer D14/206</p> <p>D654,472 S * 2/2012 Fischer D14/206</p> <p>D668,240 S 10/2012 Brandis</p> <p>D673,524 S 1/2013 Brennwald</p> <p>D677,241 S * 3/2013 Kelly D14/205</p> <p>D681,014 S 4/2013 Ham</p> <p>D684,145 S 6/2013 Rath</p> <p>D684,559 S 6/2013 Groset</p> <p>D691,110 S * 10/2013 Ham D14/205</p> <p>D692,410 S 10/2013 Brunner</p> <p>D695,806 S 12/2013 Konishi</p> <p>D704,167 S 5/2014 Akana et al.</p> <p>D705,748 S 5/2014 He</p> <p>D707,655 S * 6/2014 Porter H04M 1/05 D14/206</p>
<p>D435,249 S 12/2000 Yasutomi</p> <p>D436,348 S * 1/2001 McGugan D14/142</p> <p>D443,870 S * 6/2001 Carpenter D14/206</p> <p>D447,472 S 9/2001 McGugan</p> <p>D449,039 S 10/2001 Weikel</p> <p>D458,597 S 6/2002 Davies</p> <p>6,427,018 B1 * 7/2002 Keliiliki H04R 1/1066 381/381</p> <p>D462,945 S 9/2002 Skulley</p> <p>D465,476 S 11/2002 Golding et al.</p> <p>D465,477 S 11/2002 Beraut et al.</p> <p>6,560,346 B2 5/2003 Ohta</p> <p>D479,222 S 9/2003 Lu</p> <p>6,622,029 B1 * 9/2003 Skulley H04M 1/05 379/430</p>	<p>D668,240 S 10/2012 Brandis</p> <p>D673,524 S 1/2013 Brennwald</p> <p>D677,241 S * 3/2013 Kelly D14/205</p> <p>D681,014 S 4/2013 Ham</p> <p>D684,145 S 6/2013 Rath</p> <p>D684,559 S 6/2013 Groset</p> <p>D691,110 S * 10/2013 Ham D14/205</p> <p>D692,410 S 10/2013 Brunner</p> <p>D695,806 S 12/2013 Konishi</p> <p>D704,167 S 5/2014 Akana et al.</p> <p>D705,748 S 5/2014 He</p> <p>D707,655 S * 6/2014 Porter H04M 1/05 D14/206</p>
<p>D482,019 S * 11/2003 Petersen D14/206</p> <p>D484,485 S 12/2003 Matsuoka</p> <p>D488,146 S * 4/2004 Minto D14/206</p> <p>D489,052 S 4/2004 Shiraki et al.</p> <p>D494,154 S 8/2004 Polito</p> <p>D494,957 S * 8/2004 Rath D14/206</p> <p>D498,470 S * 11/2004 Skulley D14/206</p> <p>D504,414 S 4/2005 Yoshida</p> <p>D506,476 S 6/2005 Andre et al.</p> <p>D510,335 S * 10/2005 Suzuki D14/205</p> <p>6,952,481 B2 * 10/2005 Larsen H04M 1/05 381/74</p>	<p>D709,860 S 7/2014 Brunner</p> <p>D716,258 S 10/2014 Awiszus</p>
<p>D511,157 S 11/2005 Johnson</p> <p>6,970,572 B2 * 11/2005 Murozaki H04M 1/05 381/374</p> <p>D514,086 S 1/2006 Skulley</p> <p>D516,576 S 3/2006 Ive et al.</p> <p>D517,052 S 3/2006 Skulley</p> <p>D517,528 S 3/2006 Skulley</p> <p>D518,479 S 4/2006 Skulley</p> <p>7,046,230 B2 5/2006 Zadesky et al.</p> <p>D530,702 S * 10/2006 Pritchard D14/206</p> <p>D531,165 S 10/2006 Rath</p> <p>D533,514 S 12/2006 Hidalgo</p> <p>D534,150 S 12/2006 Griffin</p> <p>D534,156 S 12/2006 Obata</p> <p>7,151,237 B2 12/2006 Mahoney et al.</p>	<p>D709,860 S 7/2014 Brunner</p> <p>D716,258 S 10/2014 Awiszus</p>

(56)

References Cited

U.S. PATENT DOCUMENTS

D716,259 S 10/2014 Awiszus
 D716,274 S 10/2014 Henning
 D716,758 S 11/2014 Burgett et al.
 D716,762 S 11/2014 Greve
 D717,275 S 11/2014 Burgett et al.
 D718,273 S 11/2014 Harata
 D719,135 S 12/2014 Kelley
 D722,302 S * 2/2015 Lee D14/205
 D725,074 S 3/2015 Boeckel
 D726,147 S 4/2015 Tran
 D726,160 S 4/2015 Chang
 D728,512 S * 5/2015 Nakagawa D14/205
 D732,002 S 6/2015 Goransson
 D750,042 S * 2/2016 Poulsen D14/206
 D750,043 S 2/2016 Birger
 D756,969 S 5/2016 Kim et al.
 9,426,554 B2 * 8/2016 Dai H04M 1/6058
 D769,212 S 10/2016 Larsen
 D783,571 S 4/2017 Mizrahi
 D806,675 S 1/2018 Fuglsang
 D806,676 S 1/2018 Fuglsang
 D811,371 S 2/2018 Meyer
 D820,812 S * 6/2018 Bidwell D14/206
 D822,638 S * 7/2018 Liu D14/206
 D830,339 S * 10/2018 Yan D14/206
 D842,267 S * 3/2019 Pedersen D14/205
 D843,967 S 3/2019 Paterson
 D847,782 S * 5/2019 Wernblad D14/206
 D847,783 S * 5/2019 Wernblad D14/206
 D847,784 S * 5/2019 Wernblad D14/206
 D848,395 S 5/2019 Kelley

D866,513 S 11/2019 Lindof
 D866,514 S 11/2019 Lindof
 D867,330 S 11/2019 Lindof
 D867,331 S 11/2019 Lindof
 D868,734 S 12/2019 Wang
 D873,245 S 1/2020 Russo
 D875,073 S 2/2020 Pedersen
 D885,364 S * 5/2020 Paterson D14/206
 D893,437 S 8/2020 Dimberg et al.
 D895,569 S 9/2020 Roberts
 D898,701 S * 10/2020 Zhong D14/206
 D898,711 S * 10/2020 Pedersen D14/225
 D906,282 S * 12/2020 Kelley D14/206
 2003/0095096 A1 5/2003 Robbin et al.
 2008/0032737 A1 2/2008 Liu et al.
 2011/0135134 A1 6/2011 Essabar
 2011/0206216 A1 8/2011 Brunner
 2011/0306393 A1 * 12/2011 Goldman H04M 1/6066
 455/575.2
 2012/0163616 A1 6/2012 Birch
 2012/0328119 A1 12/2012 Heise
 2020/0413195 A1 * 12/2020 Wahlin H04R 1/1008

FOREIGN PATENT DOCUMENTS

CN 305227308 6/2018
 CN 305412569 11/2019
 CN 306128872 10/2020
 CN 306128873 10/2020
 CN 306210268 12/2020
 EM 001676982-0002 8/2012
 JP D1106438 2/2001

* cited by examiner

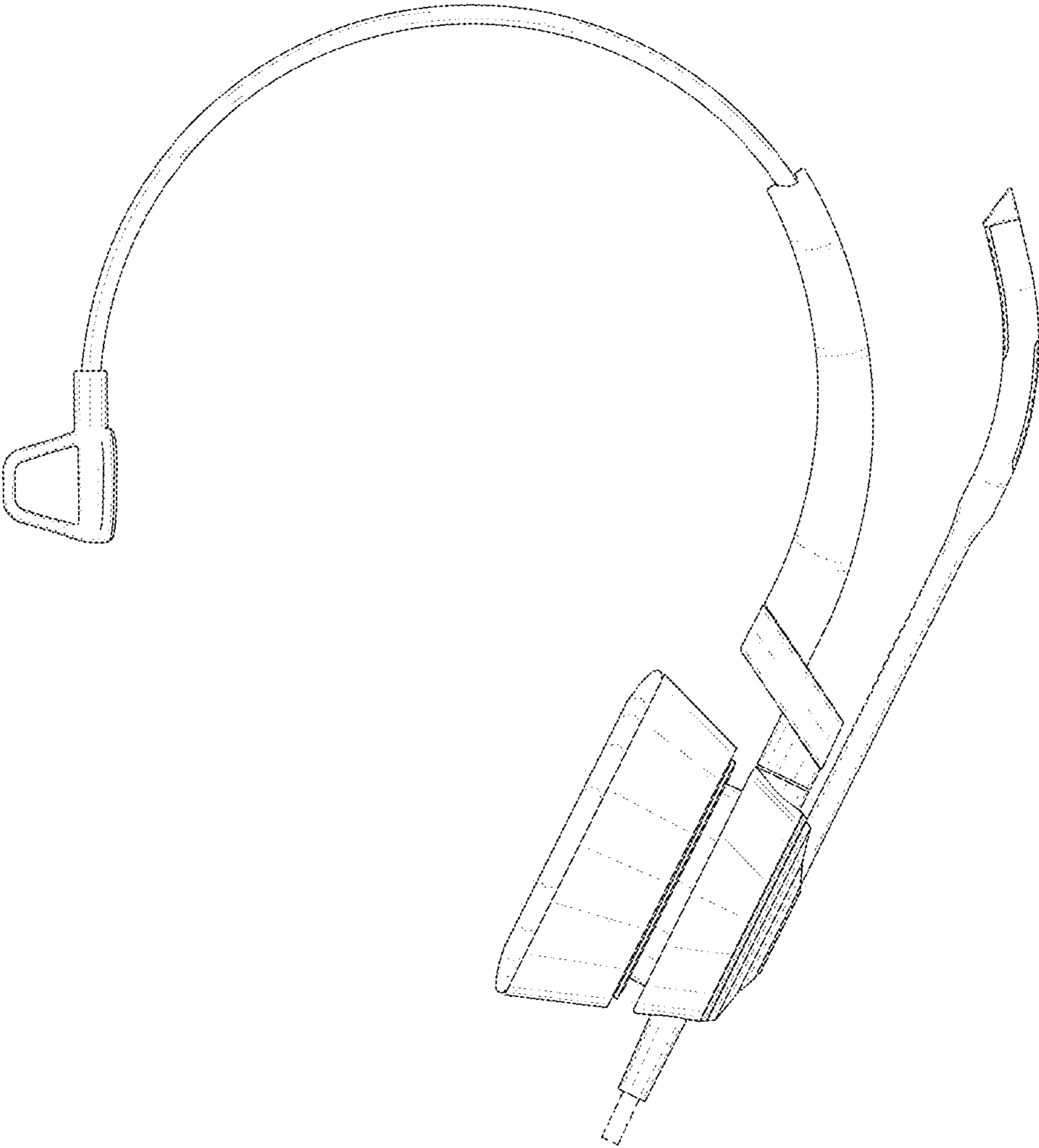


FIG.1

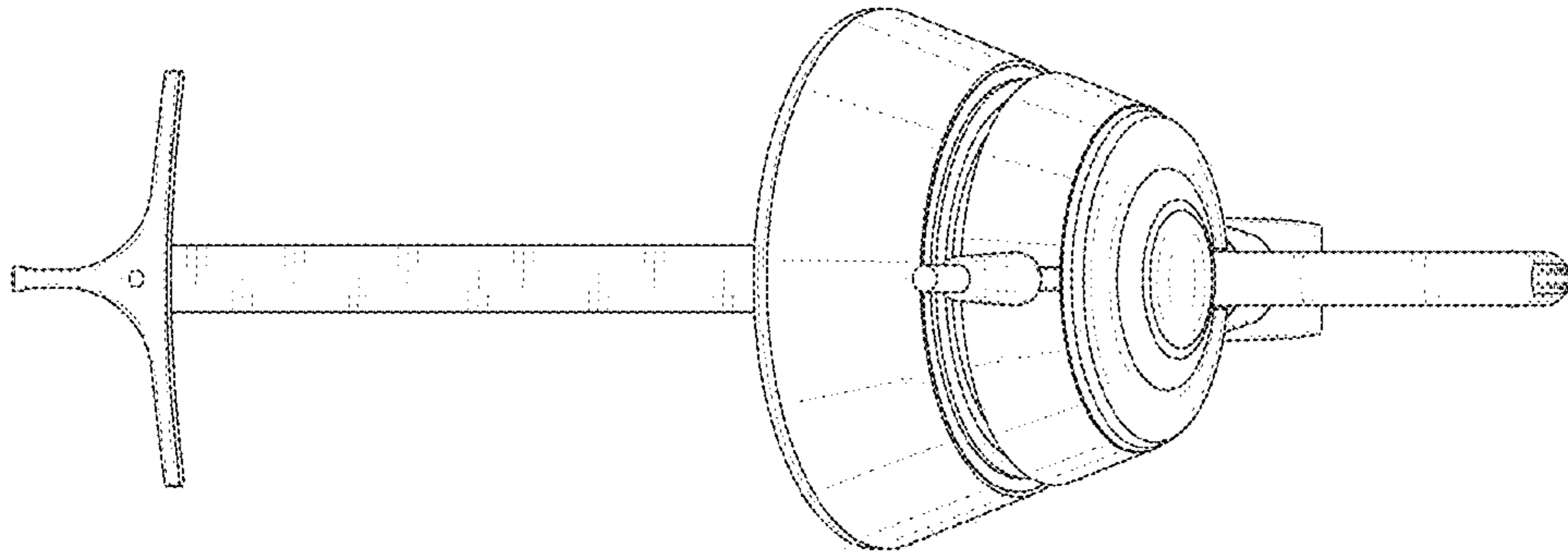


FIG.2

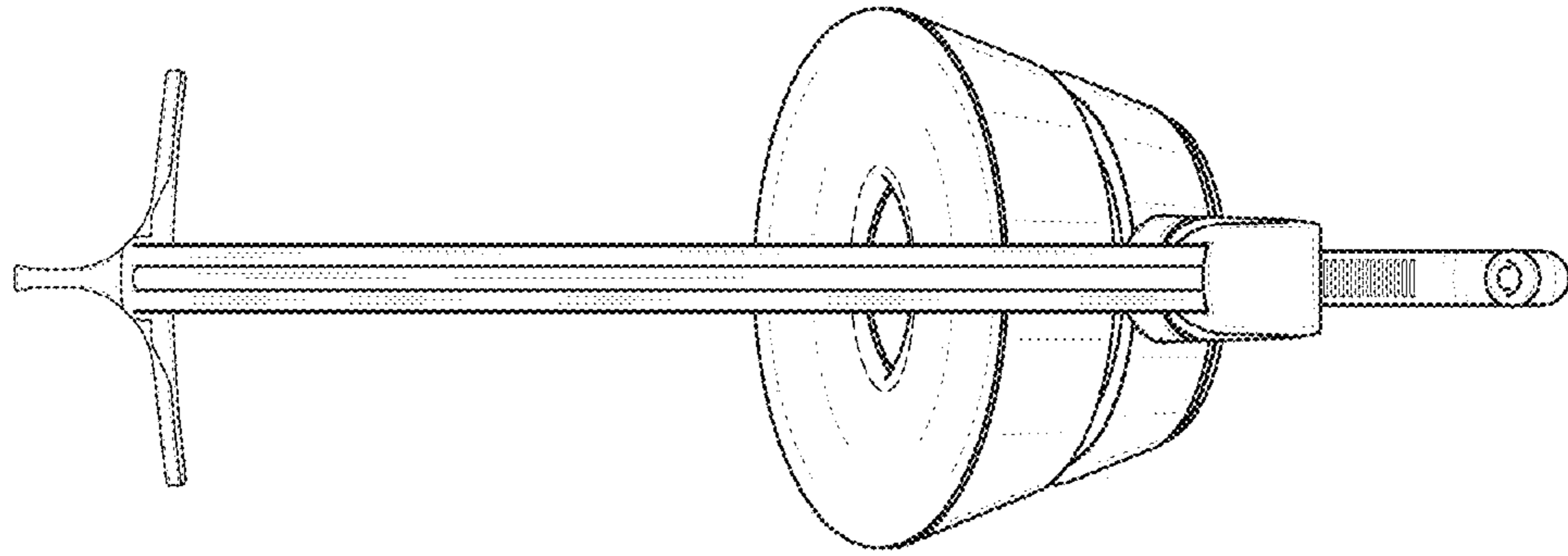


FIG.3

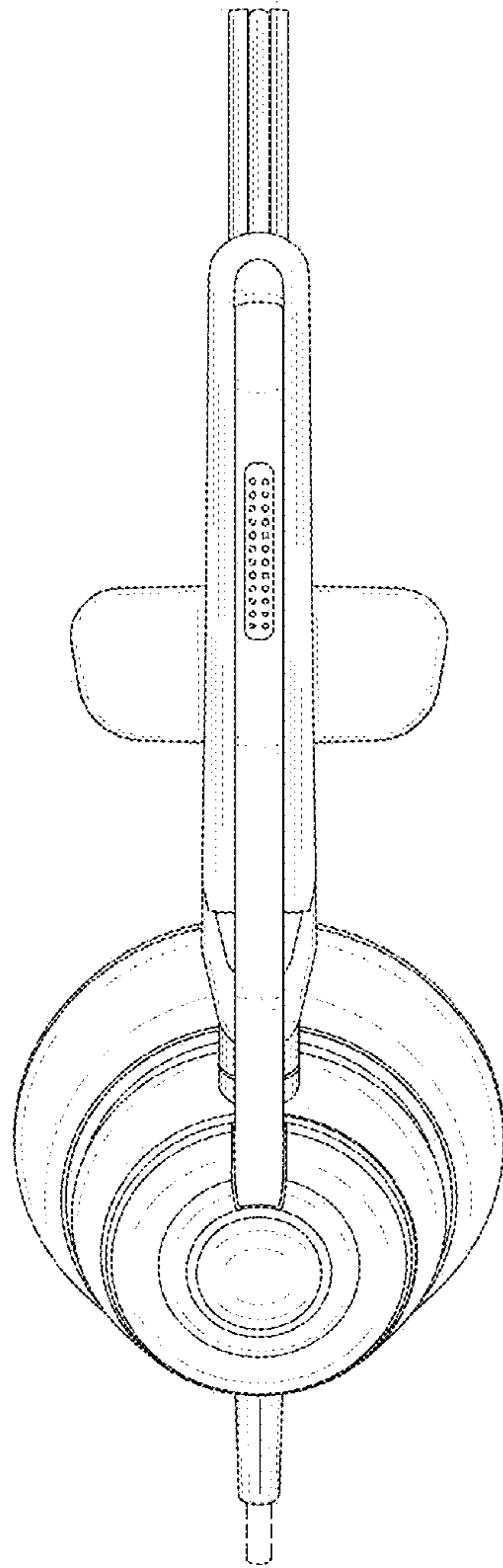


FIG.4

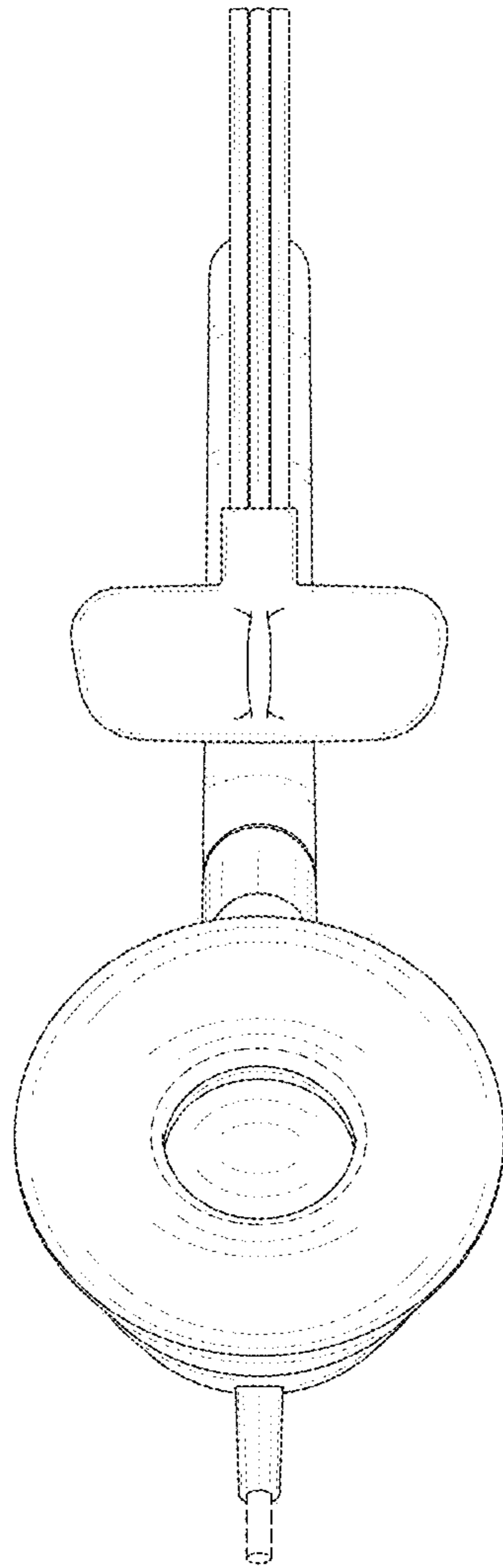


FIG.5

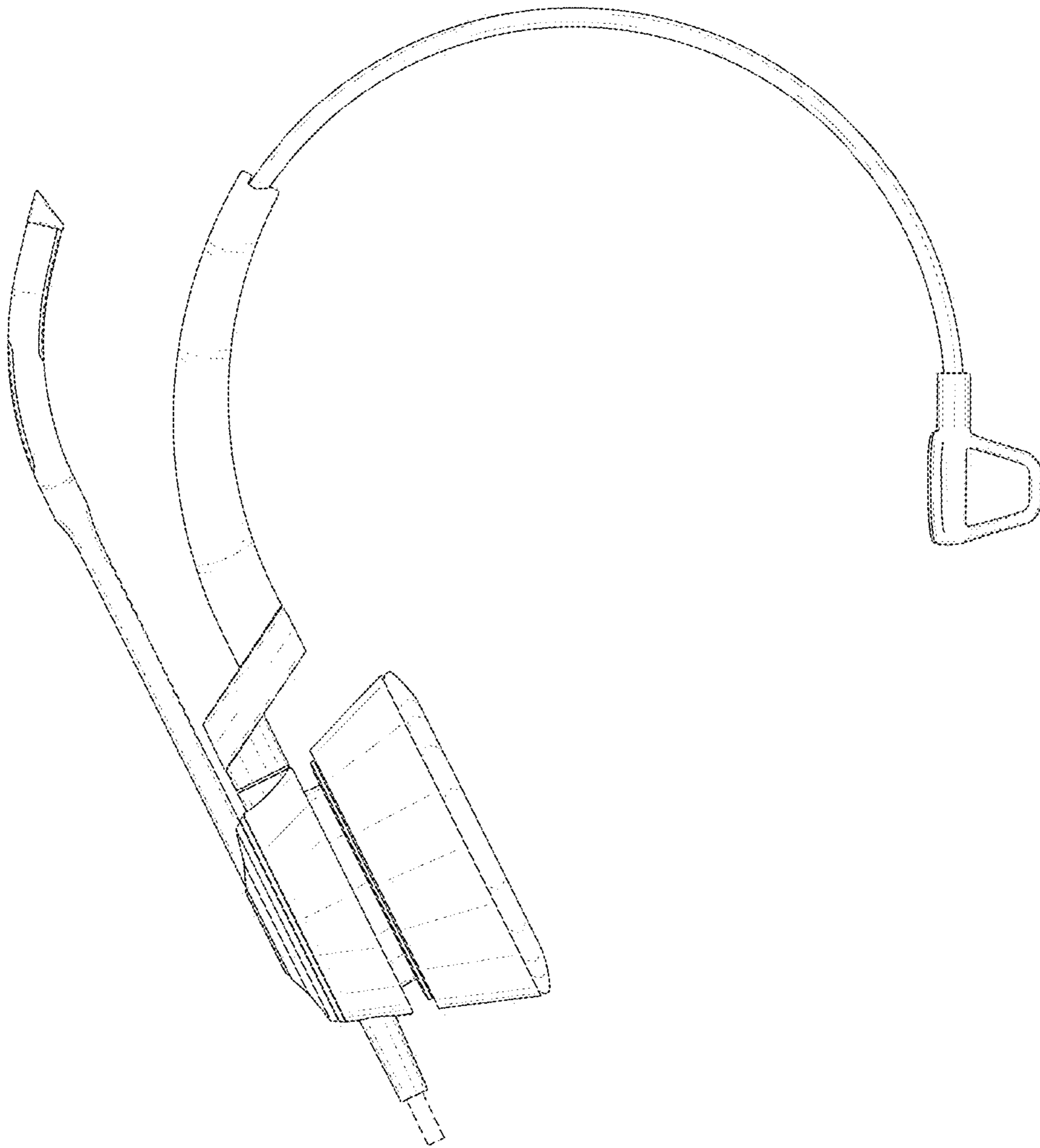


FIG.6

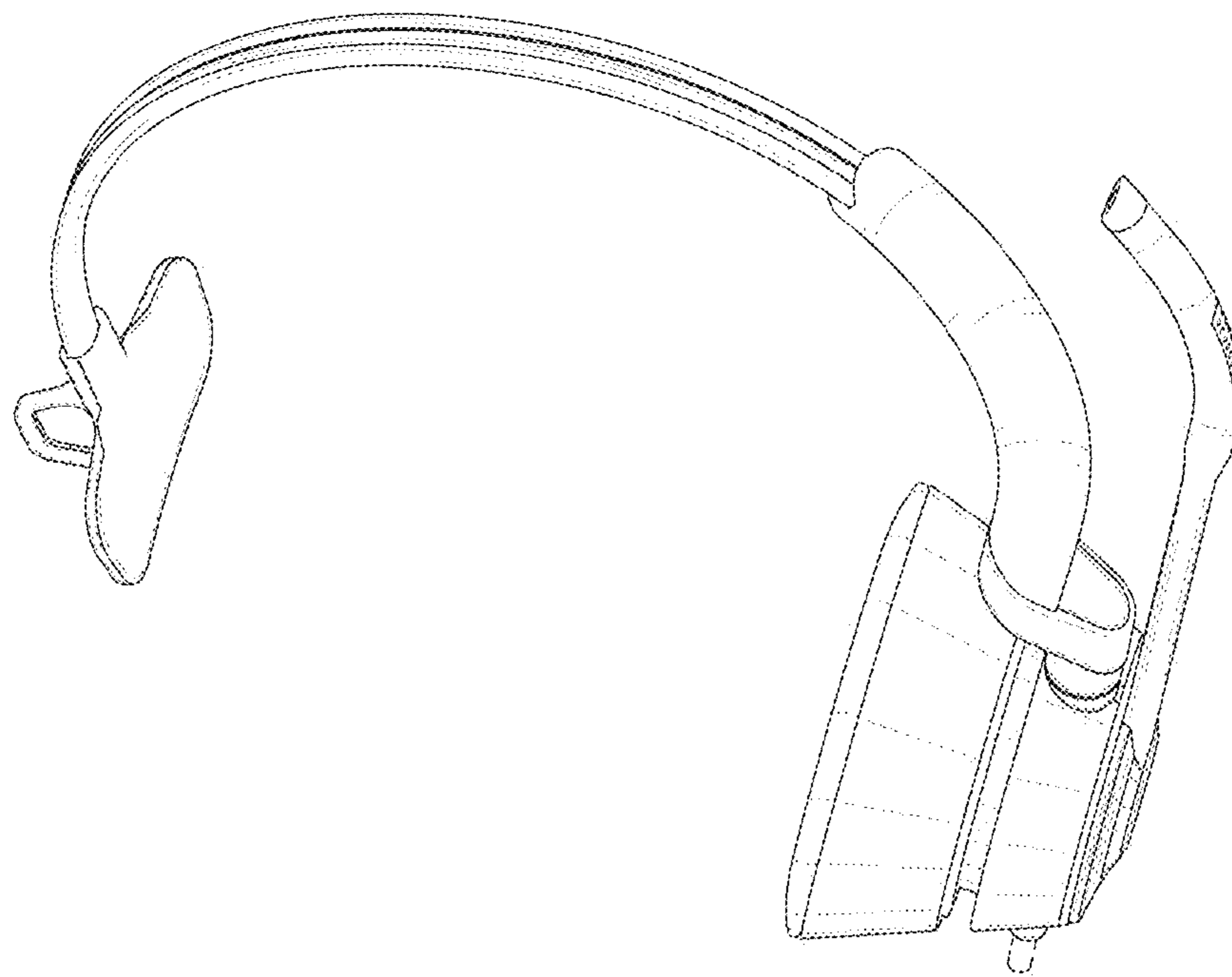


FIG.7

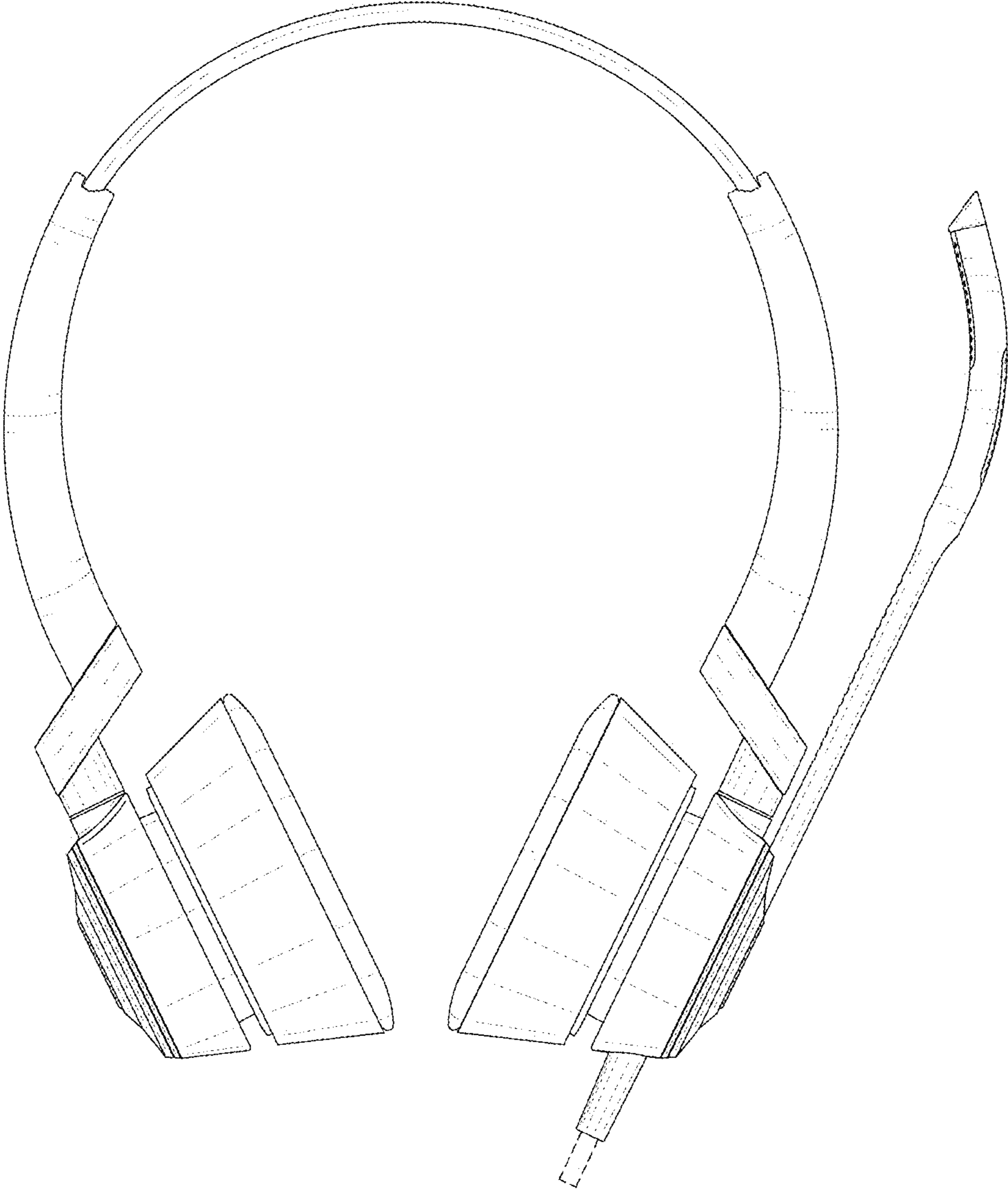


FIG.8

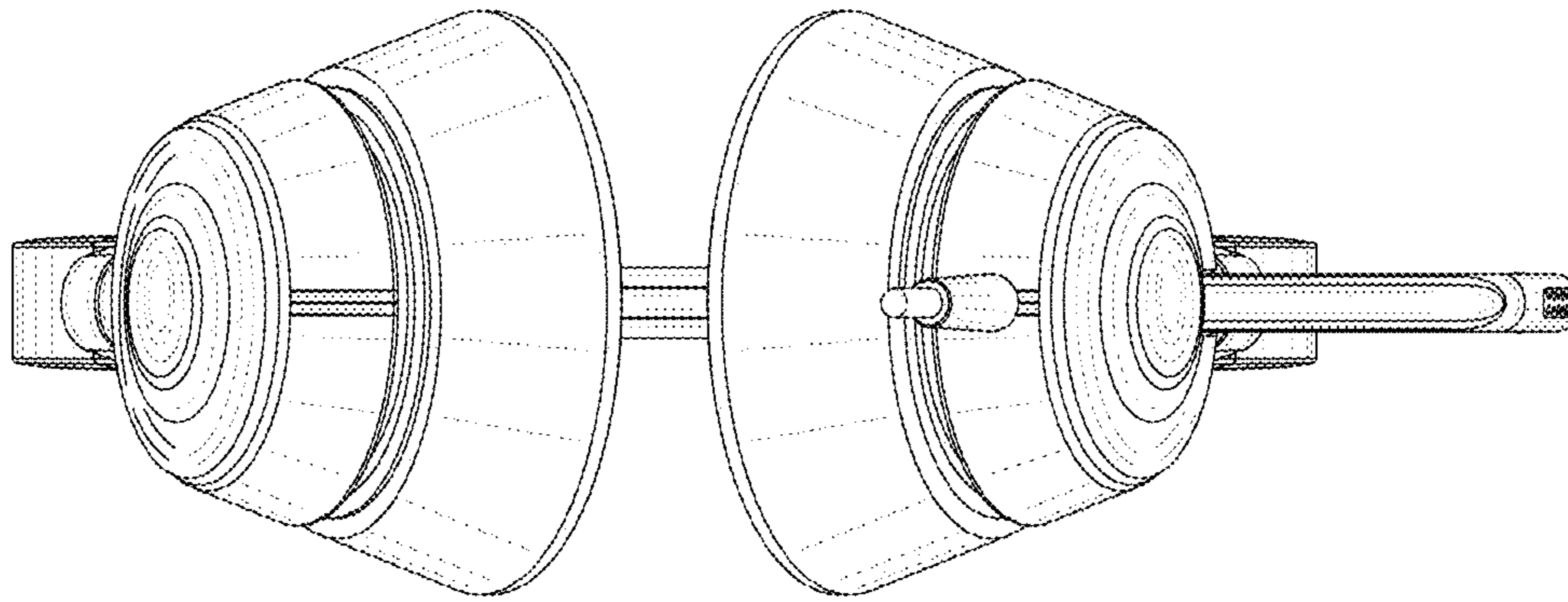


FIG.9

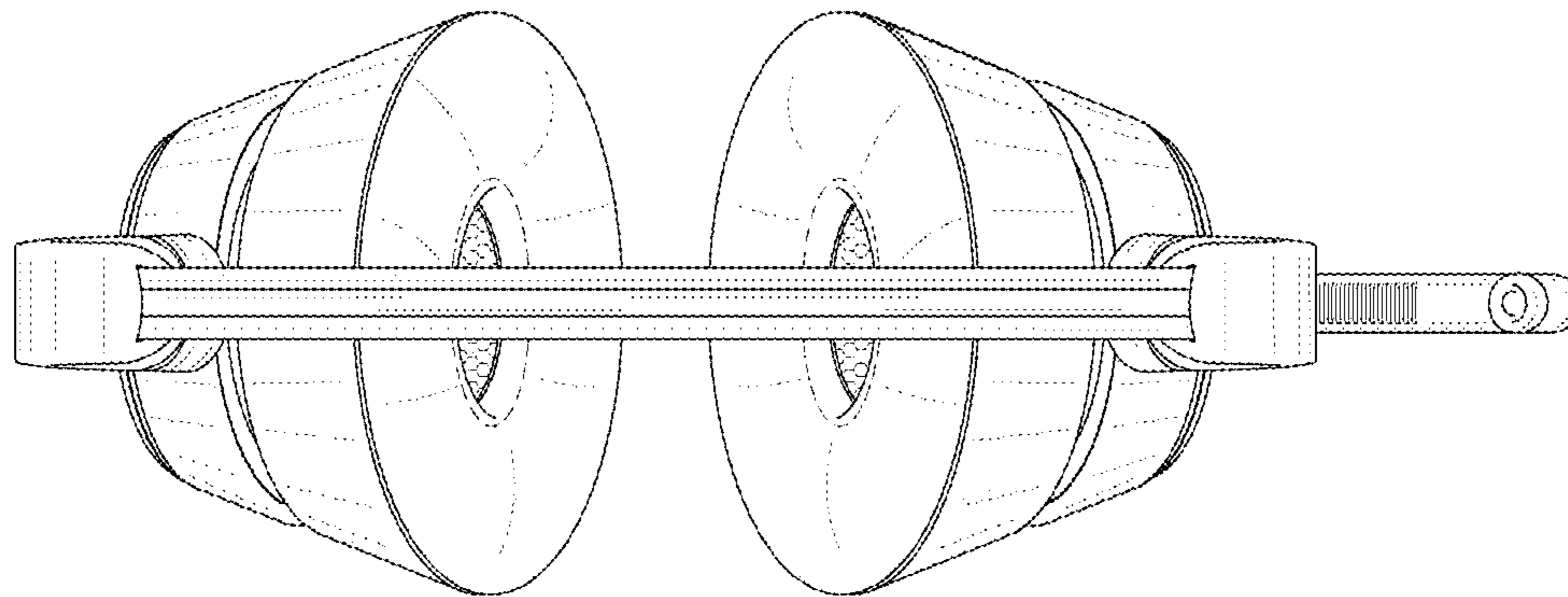


FIG.10

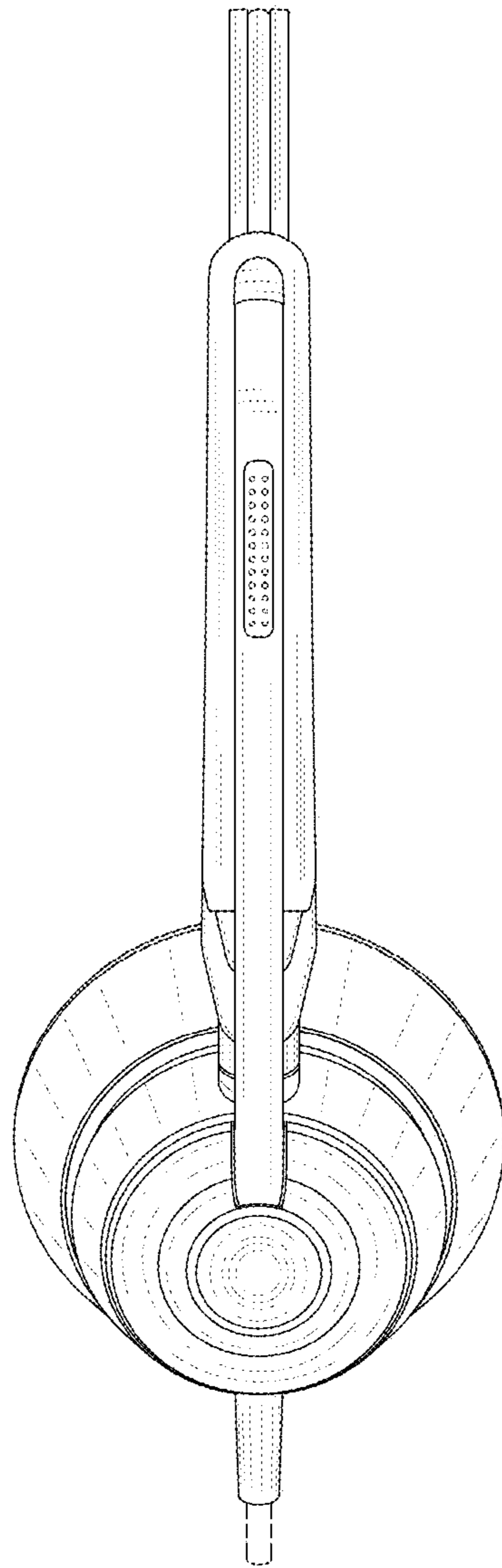


FIG.11

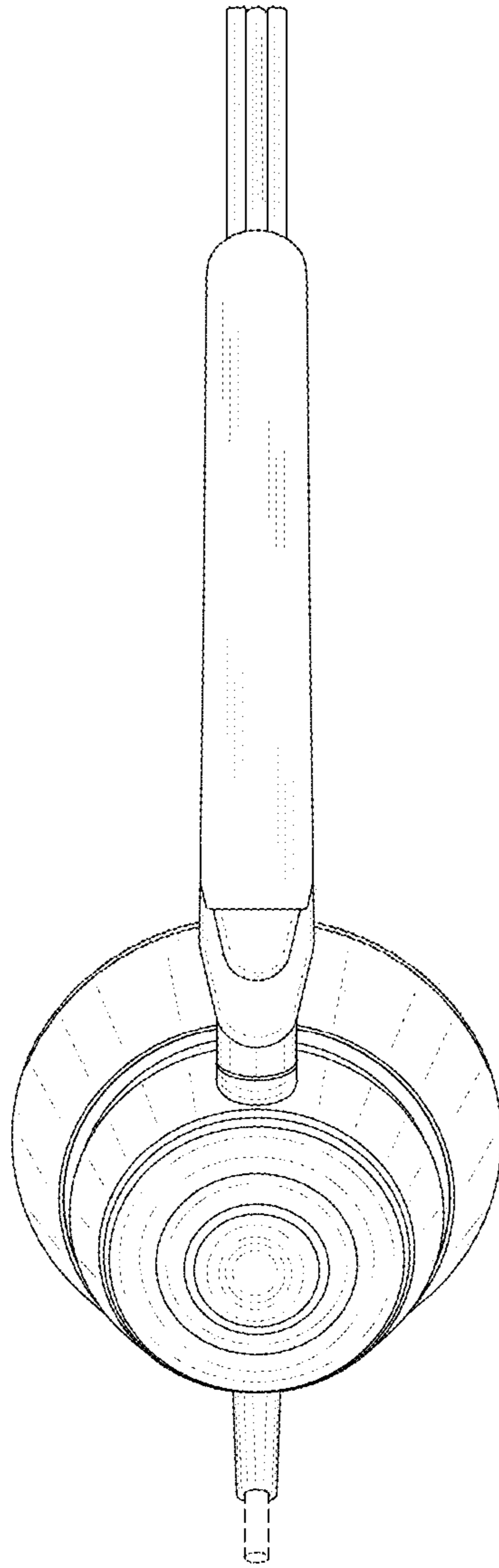


FIG.12

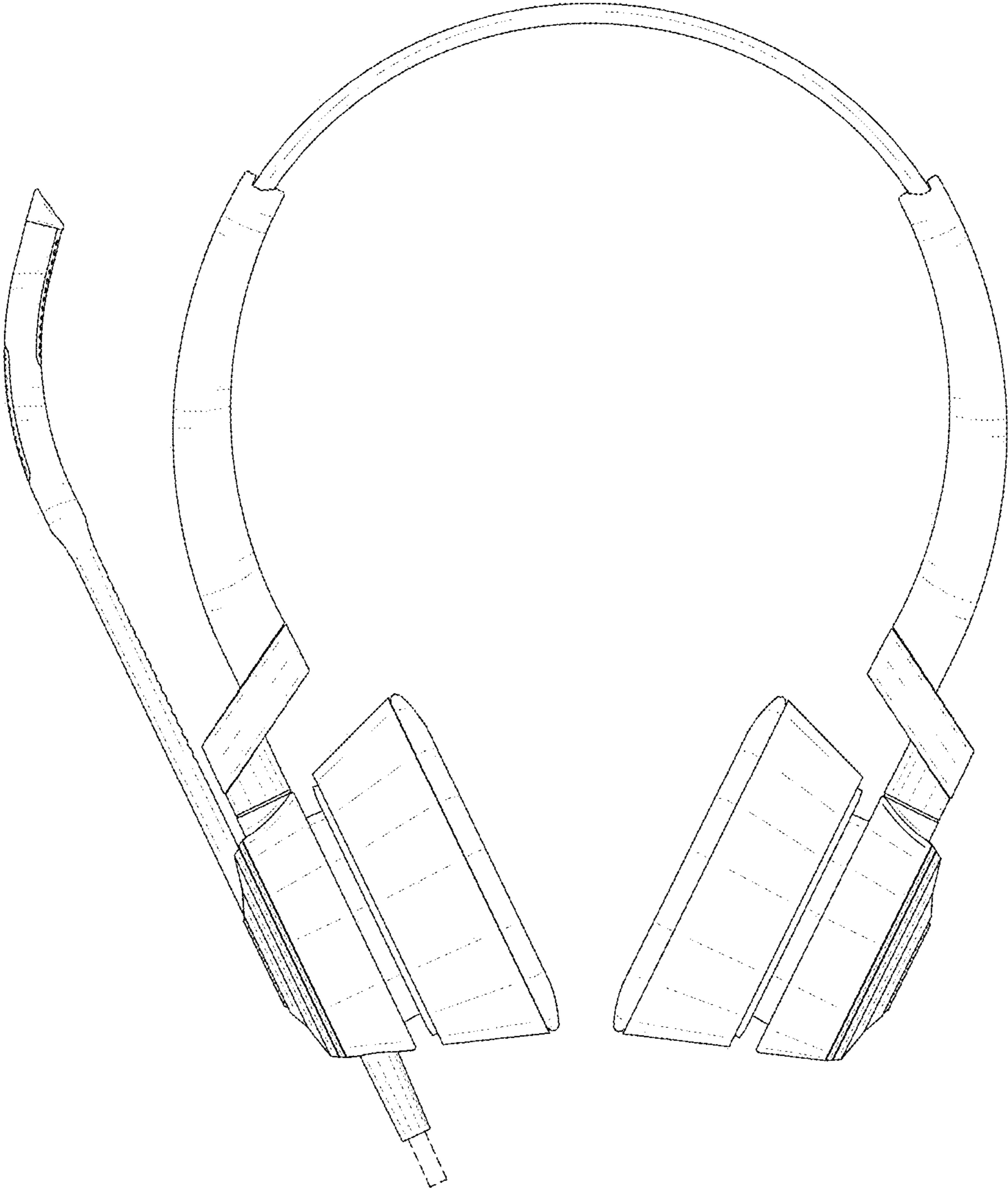


FIG.13

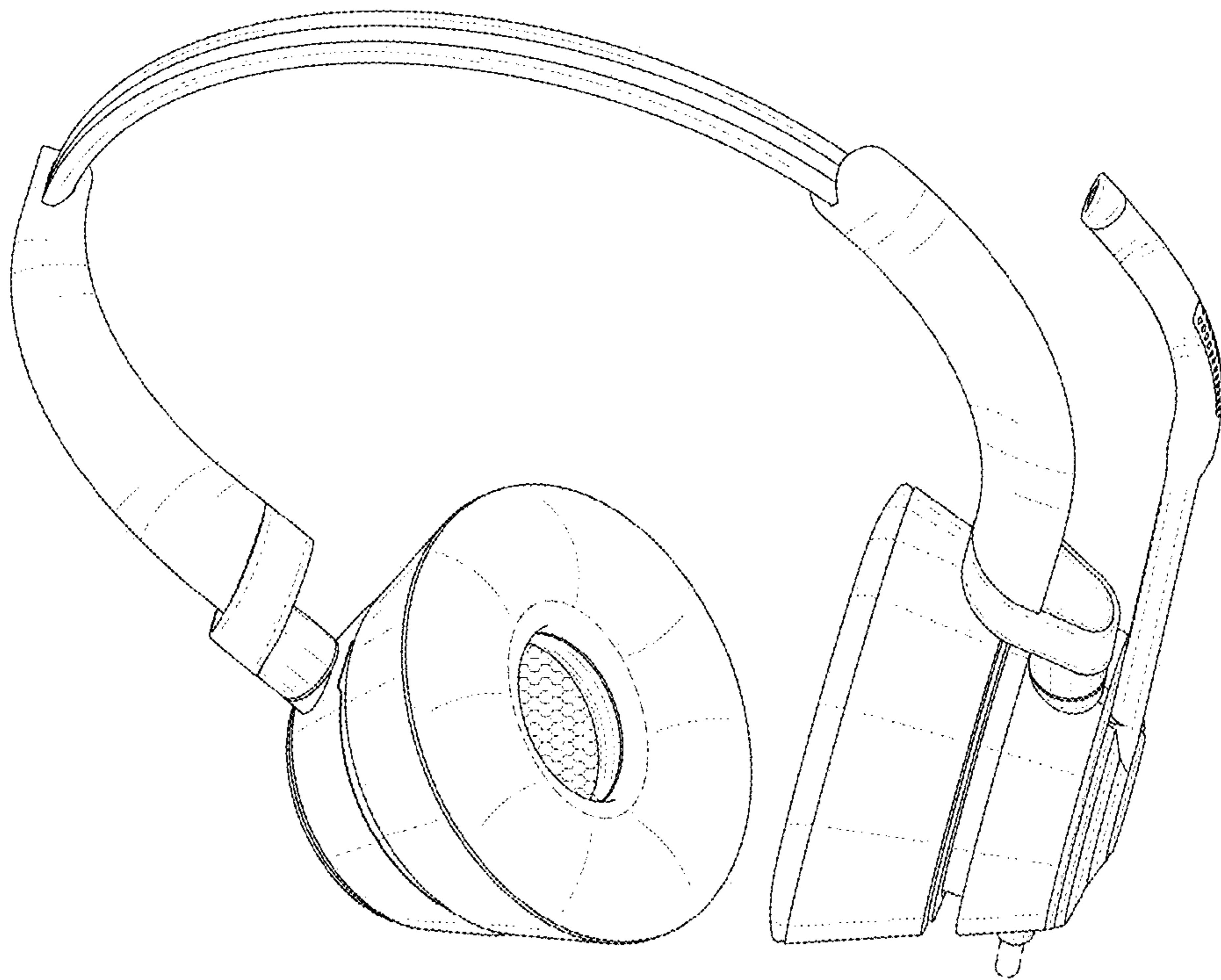


FIG.14