



US00D924837S

(12) **United States Design Patent** (10) **Patent No.:** **US D924,837 S**
Kang et al. (45) **Date of Patent:** **** Jul. 13, 2021**

(54) **SPEAKER**

FOREIGN PATENT DOCUMENTS

(71) Applicant: **Samsung Electronics Co., Ltd.**,
Suwon-si (KR)

KR 300761446 9/2014
KR 300915224 7/2017
WO DM/099 170 11/2017

(72) Inventors: **Byung Wook Kang**, Suwon-si (KR);
Jae Wook Yoo, Suwon-si (KR); **Eun Ah Kim**, Suwon-si (KR)

Primary Examiner — Janice Patyk
(74) *Attorney, Agent, or Firm* — McAndrews Held & Malloy, Ltd.

(73) Assignee: **SAMSUNG ELECTRONICS CO., LTD.**, Suwon-si (KR)

(57) **CLAIM**

The ornamental design for a speaker, as shown and described.

(**) Term: **15 Years**

DESCRIPTION

(21) Appl. No.: **29/705,102**

(22) Filed: **Sep. 10, 2019**

(30) **Foreign Application Priority Data**

Mar. 18, 2019 (KR) 30-2019-0012039

(51) **LOC (13) Cl.** **14-01**

(52) **U.S. Cl.**
USPC **D14/204**

(58) **Field of Classification Search**
USPC D14/170–172, 188, 203.1, 203.3, 204,
D14/348
CPC . H04R 1/02; H04R 1/023; H04R 5/02; H04R
7/00; H04R 7/02; H04R 9/06; H04R
2400/00

See application file for complete search history.

(56) **References Cited**

U.S. PATENT DOCUMENTS

D466,887 S * 12/2002 Lewis D14/216
D487,737 S * 3/2004 Lewis D14/215
D514,548 S * 2/2006 Chan D14/216
D526,644 S * 8/2006 Breit D14/216
D541,260 S * 4/2007 Christianson D14/215
D597,532 S * 8/2009 Wang D14/211

(Continued)

FIG. 1 is a top perspective view of a speaker showing our new design;
FIG. 2 is a front elevation view thereof;
FIG. 3 is a rear elevation view thereof;
FIG. 4 is a left side elevation view thereof;
FIG. 5 is a right side elevation view thereof;
FIG. 6 is a top plan view thereof;
FIG. 7 is a bottom plan view thereof;
FIG. 8 is a bottom perspective view thereof;
FIG. 9 is a top perspective view thereof, shown in environmental use; and,
FIG. 10 is a partially enlarged view thereof, taken from FIG. 9.

The broken lines in the figures illustrate the portions of the design that form no part of the claimed design.

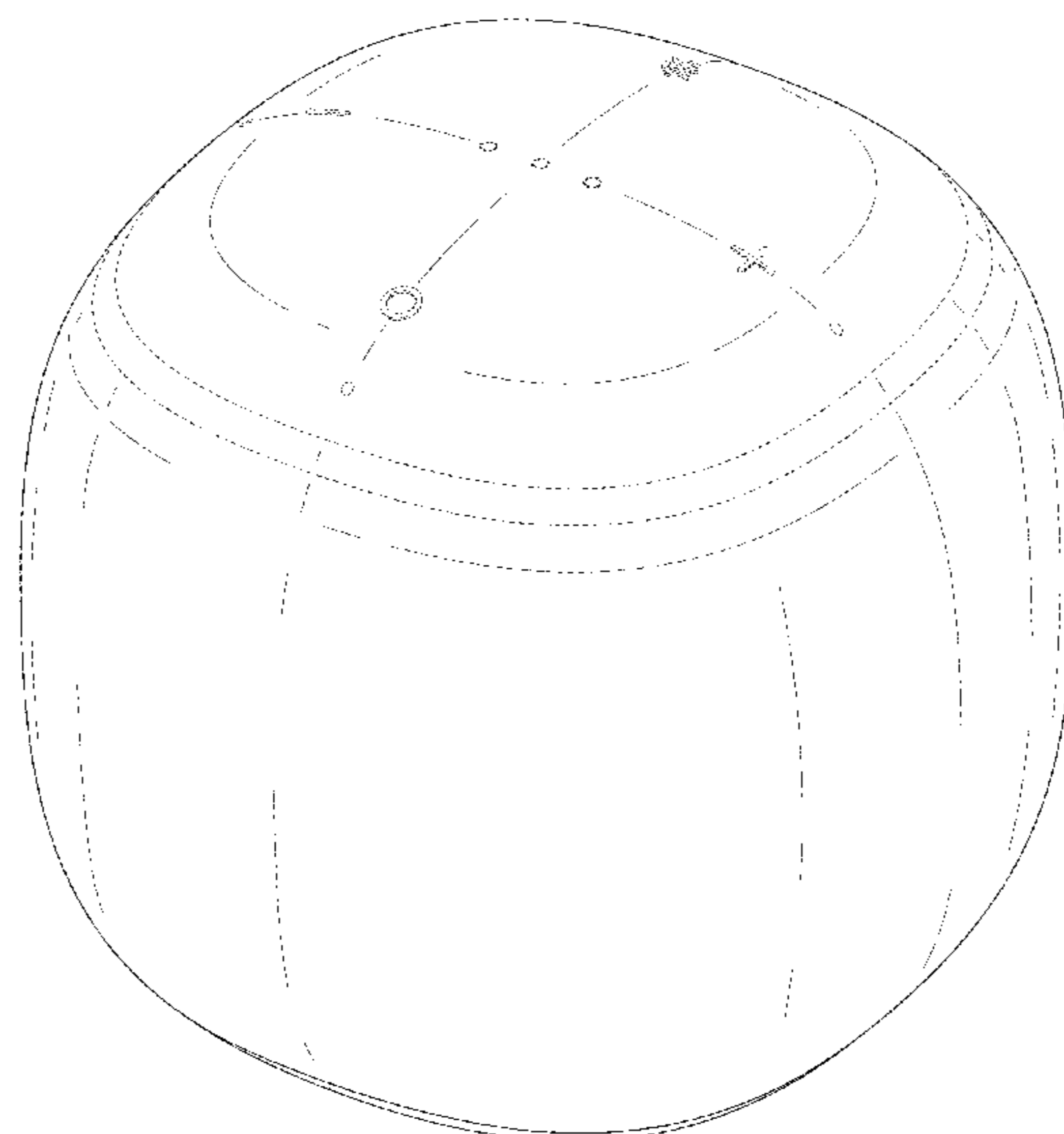
The dot-dash broken lines in FIGS. 9 and 10 are included to show a partially enlarged view only and form no part of the claimed design.

The broken lines cover in FIGS. 9 and 10 illustrate environmental subject matter that form no part of the claimed design.

None of the broken lines form any part of the claimed design.

The horizontal broken lines encircling near the top in FIGS. 1-6 and 9 are included to show unclaimed seam lines on the article.

1 Claim, 10 Drawing Sheets



(56)

References Cited

U.S. PATENT DOCUMENTS

D695,707 S	12/2013	Szymanski et al.	
D763,819 S *	8/2016	Silvera	D14/204
D781,813 S *	3/2017	Pignotti	D14/204
D813,191 S	3/2018	Pignotti	
D880,453 S *	4/2020	Walcott	D14/209.1

* cited by examiner

FIG. 1

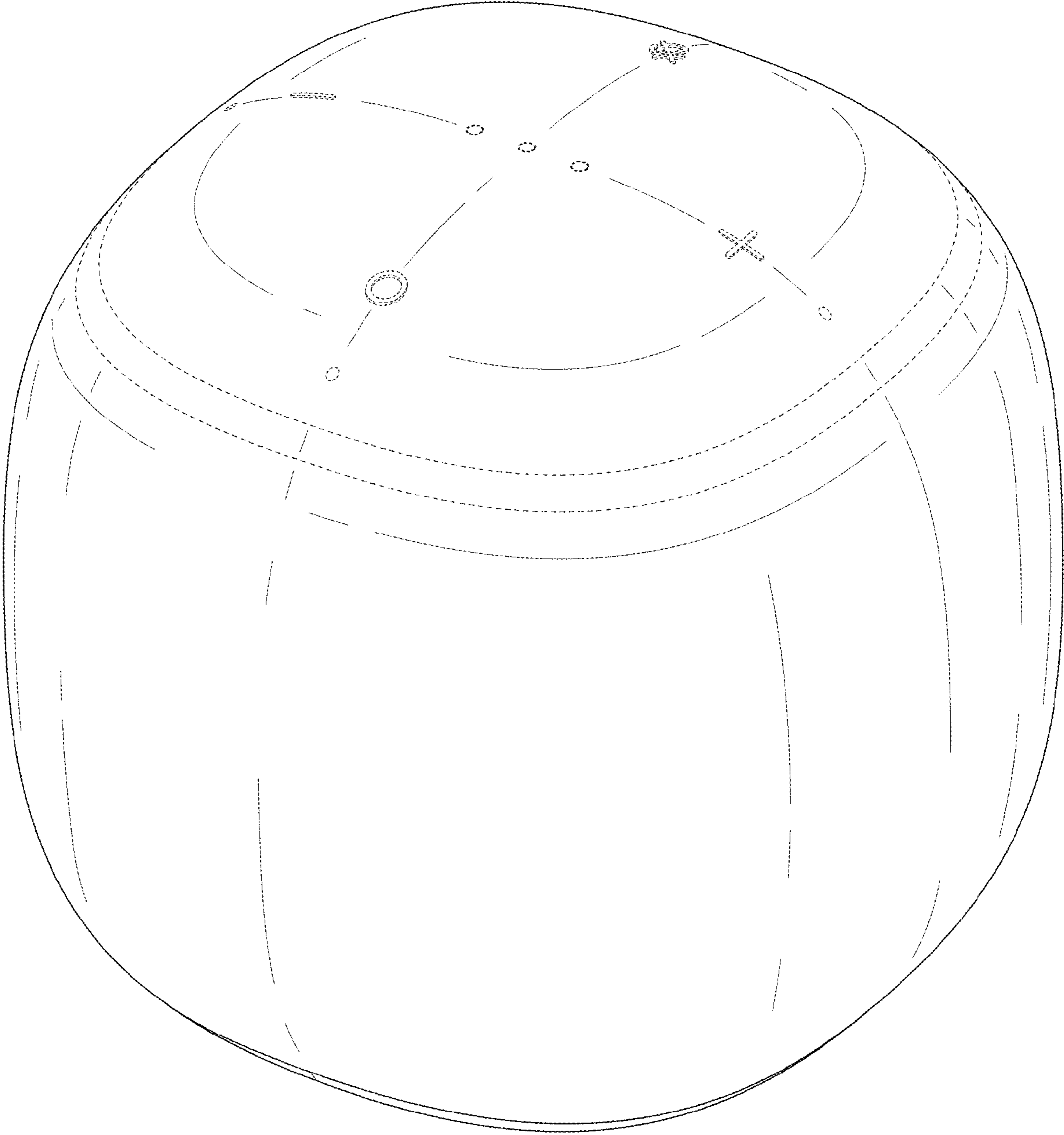


FIG. 2

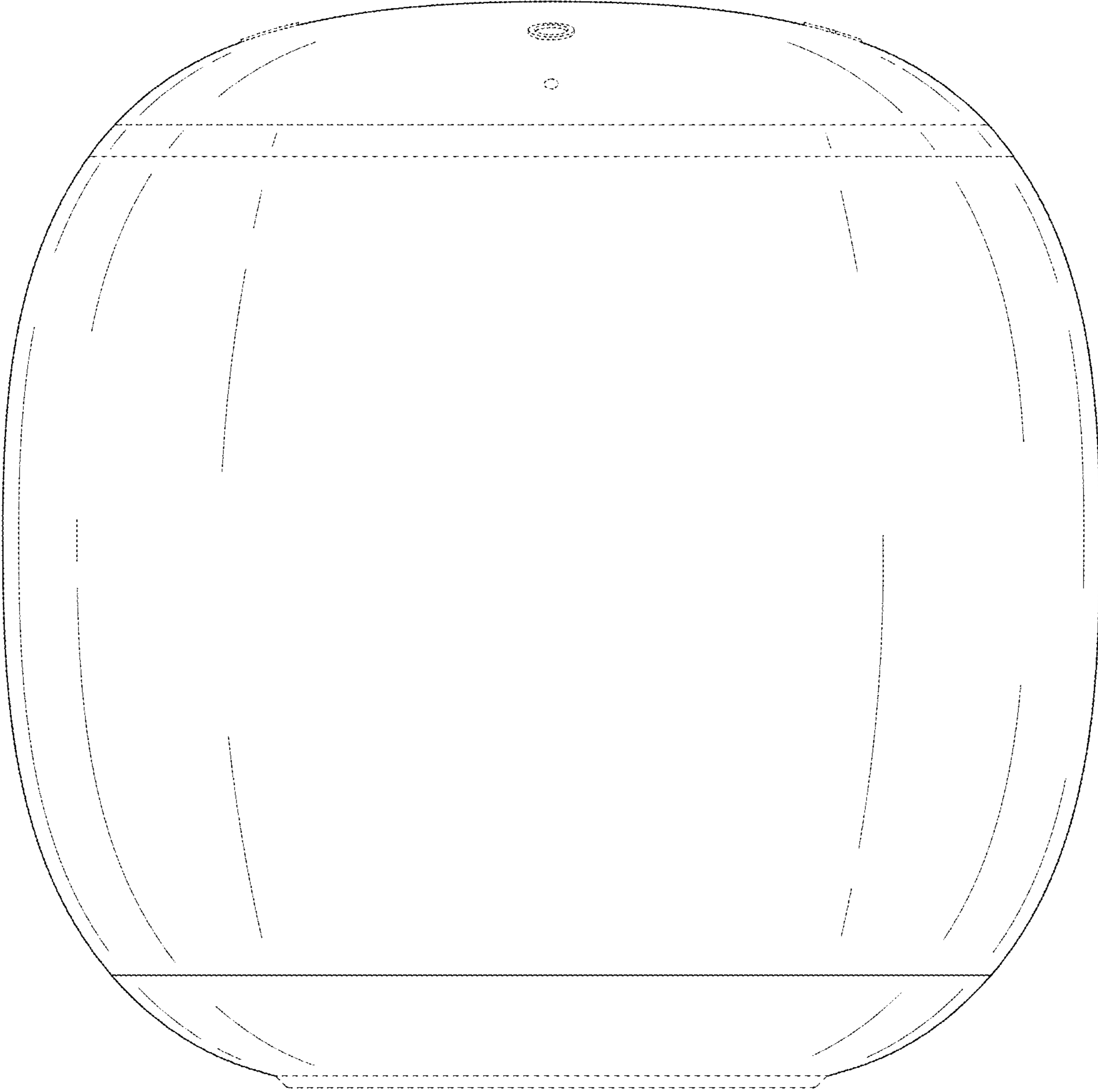


FIG. 3

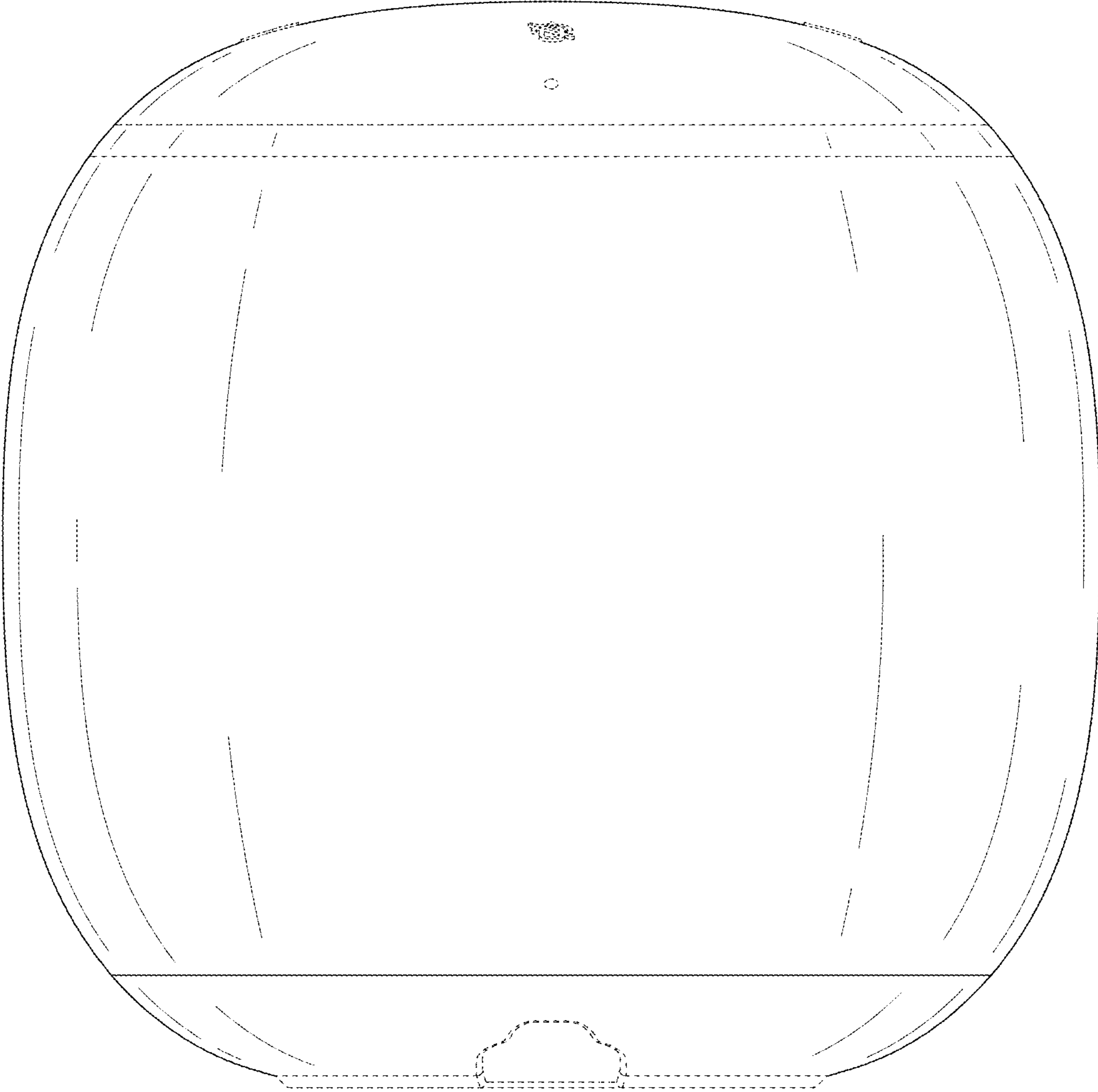


FIG. 4

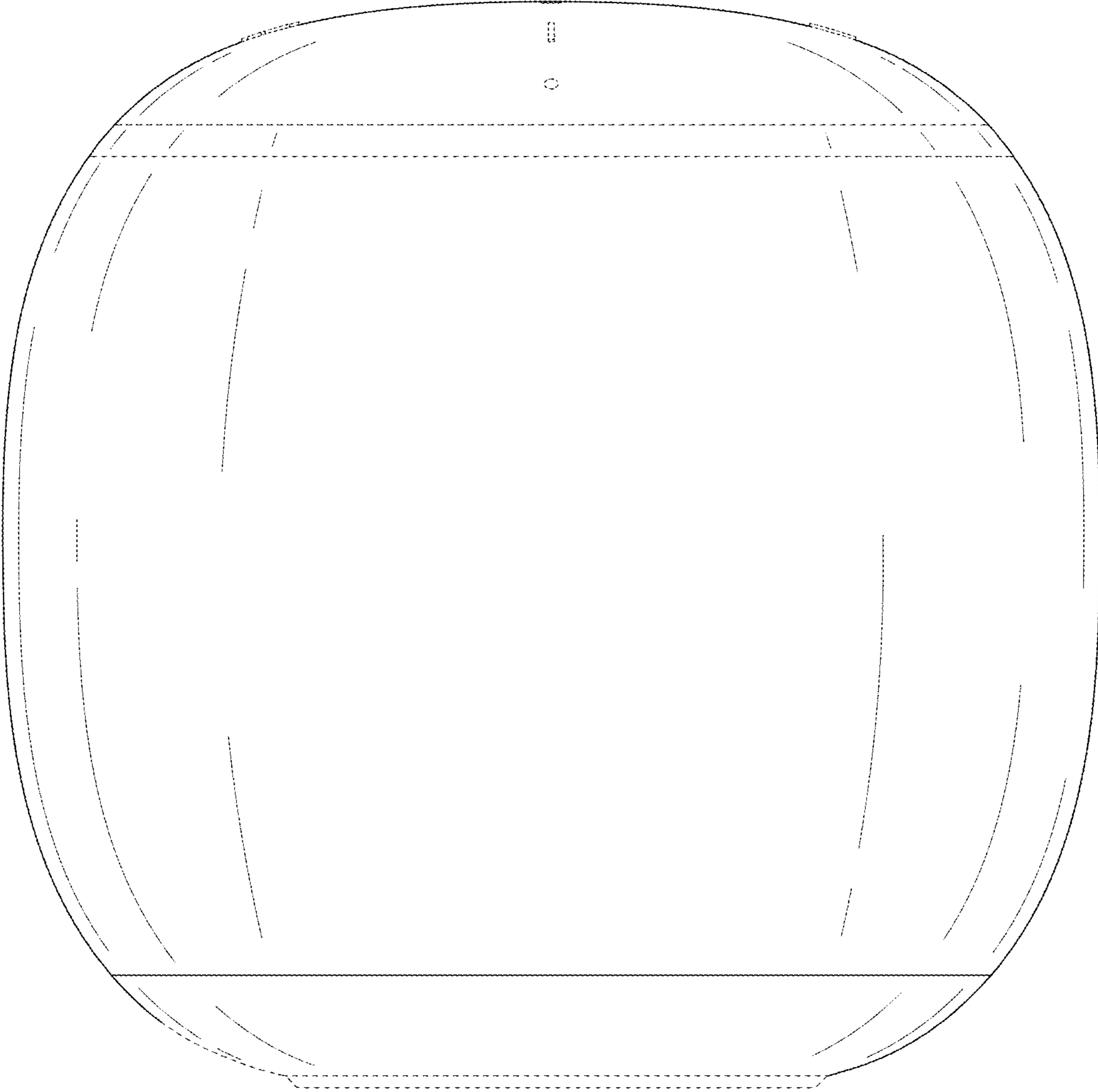


FIG. 5

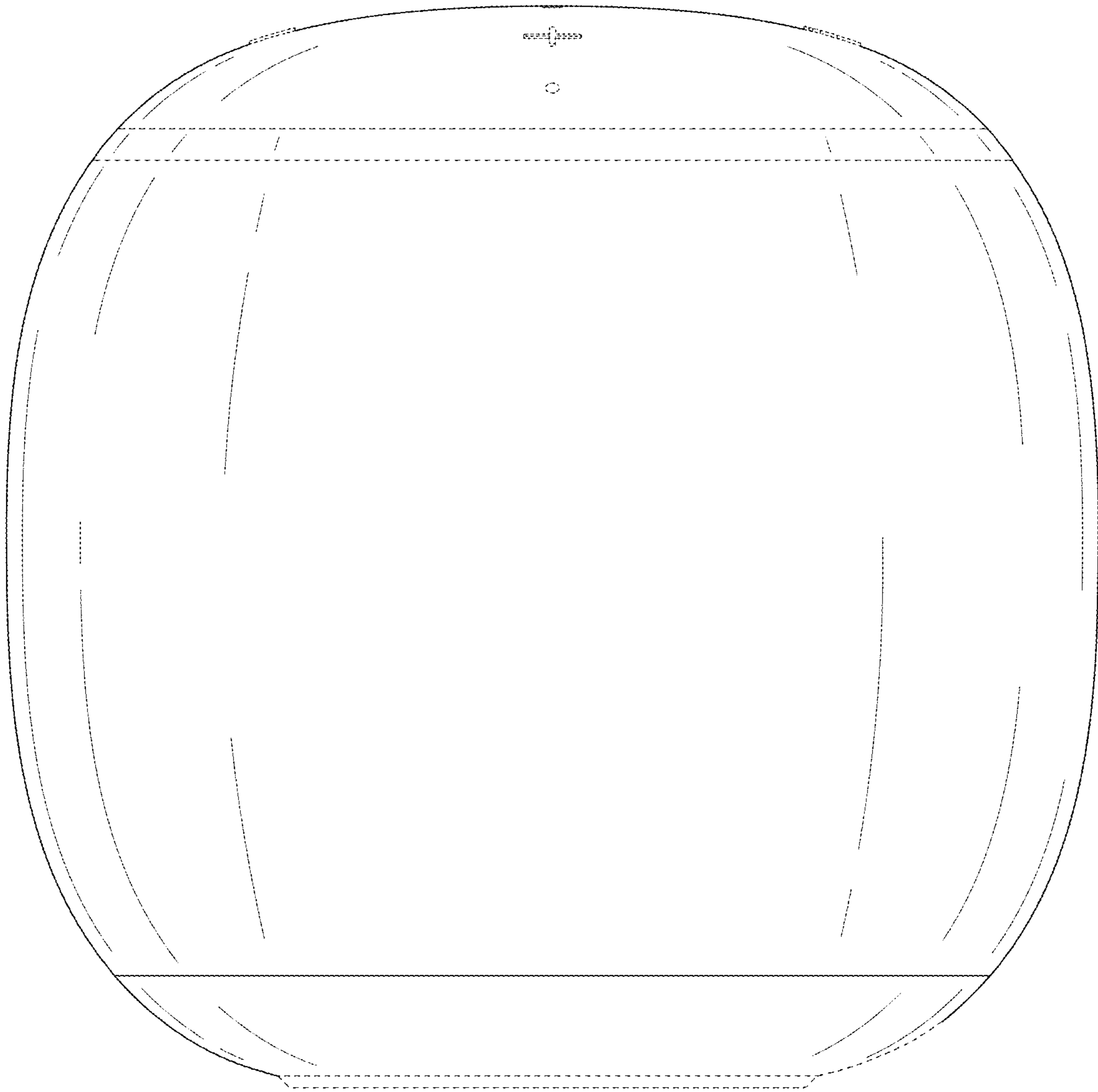


FIG. 6

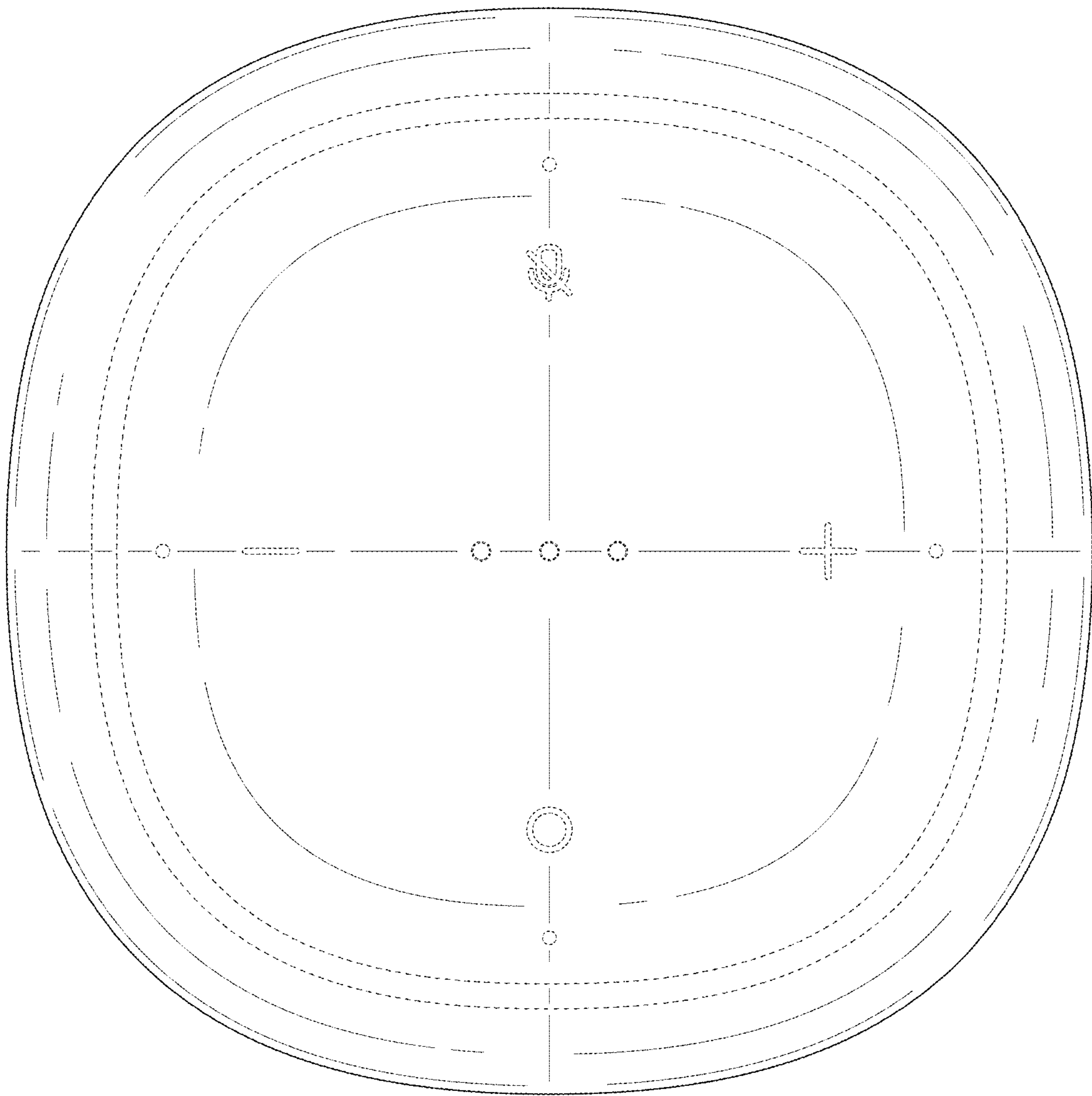


FIG. 7

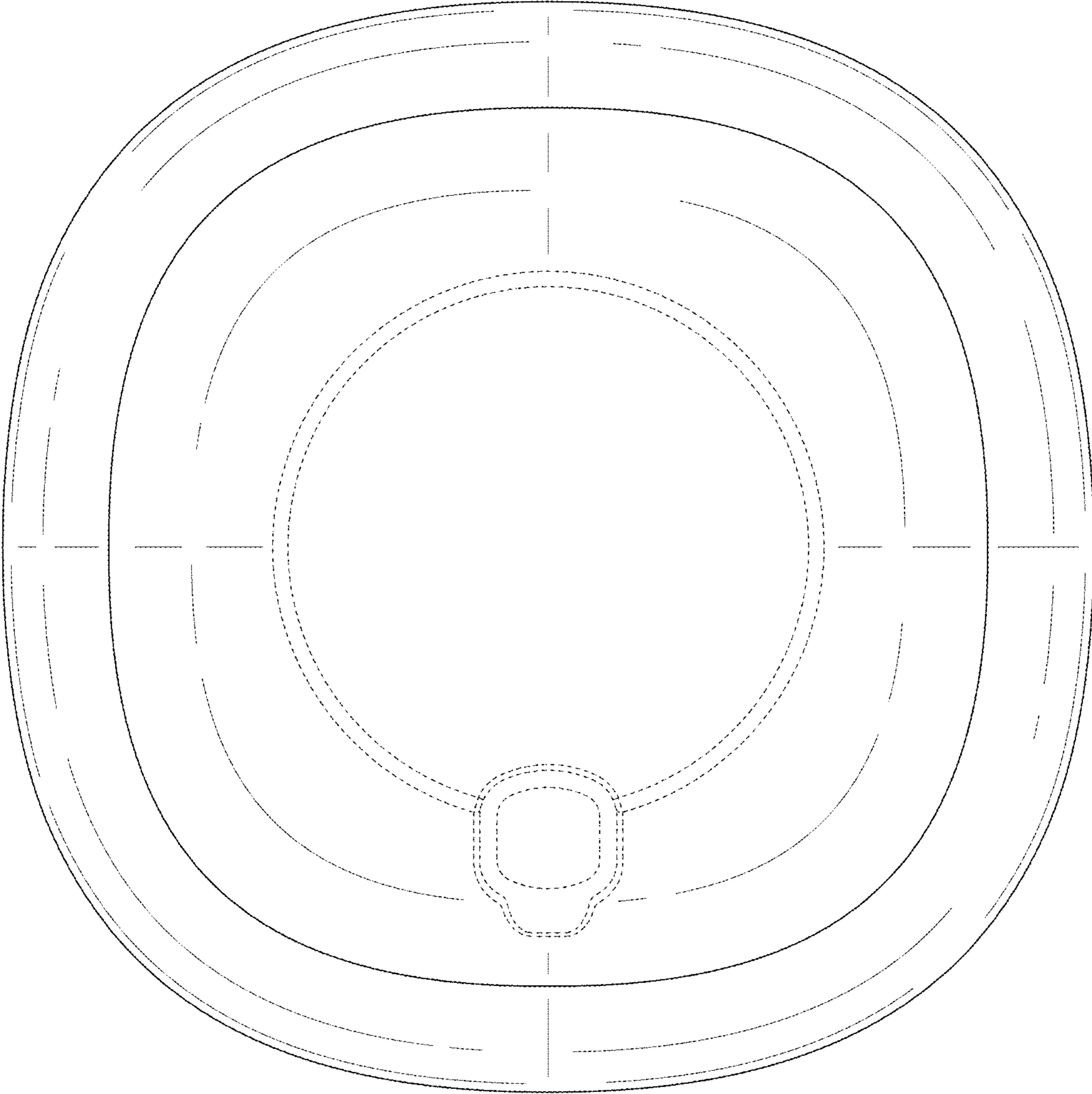


FIG. 8

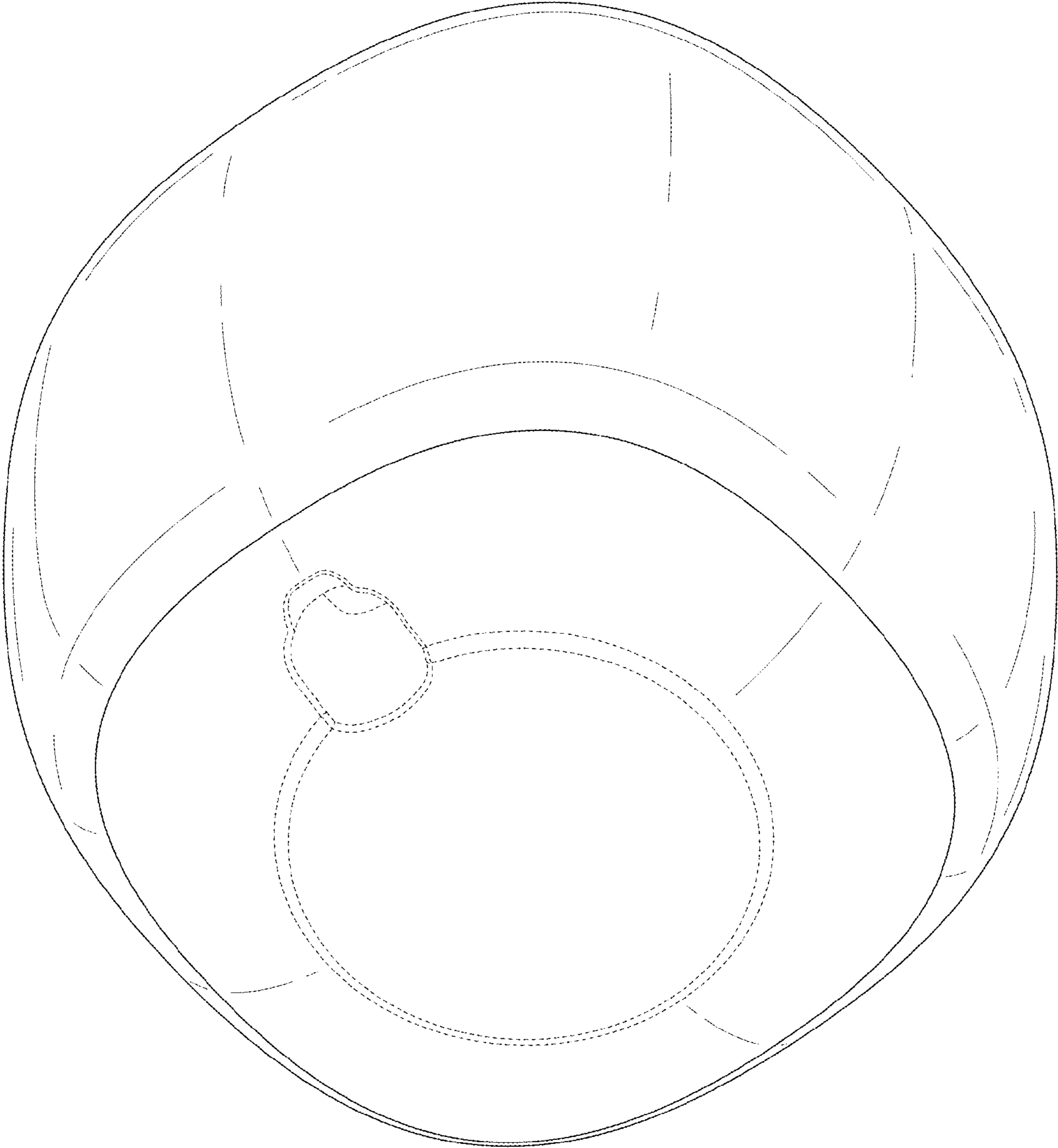


FIG. 9

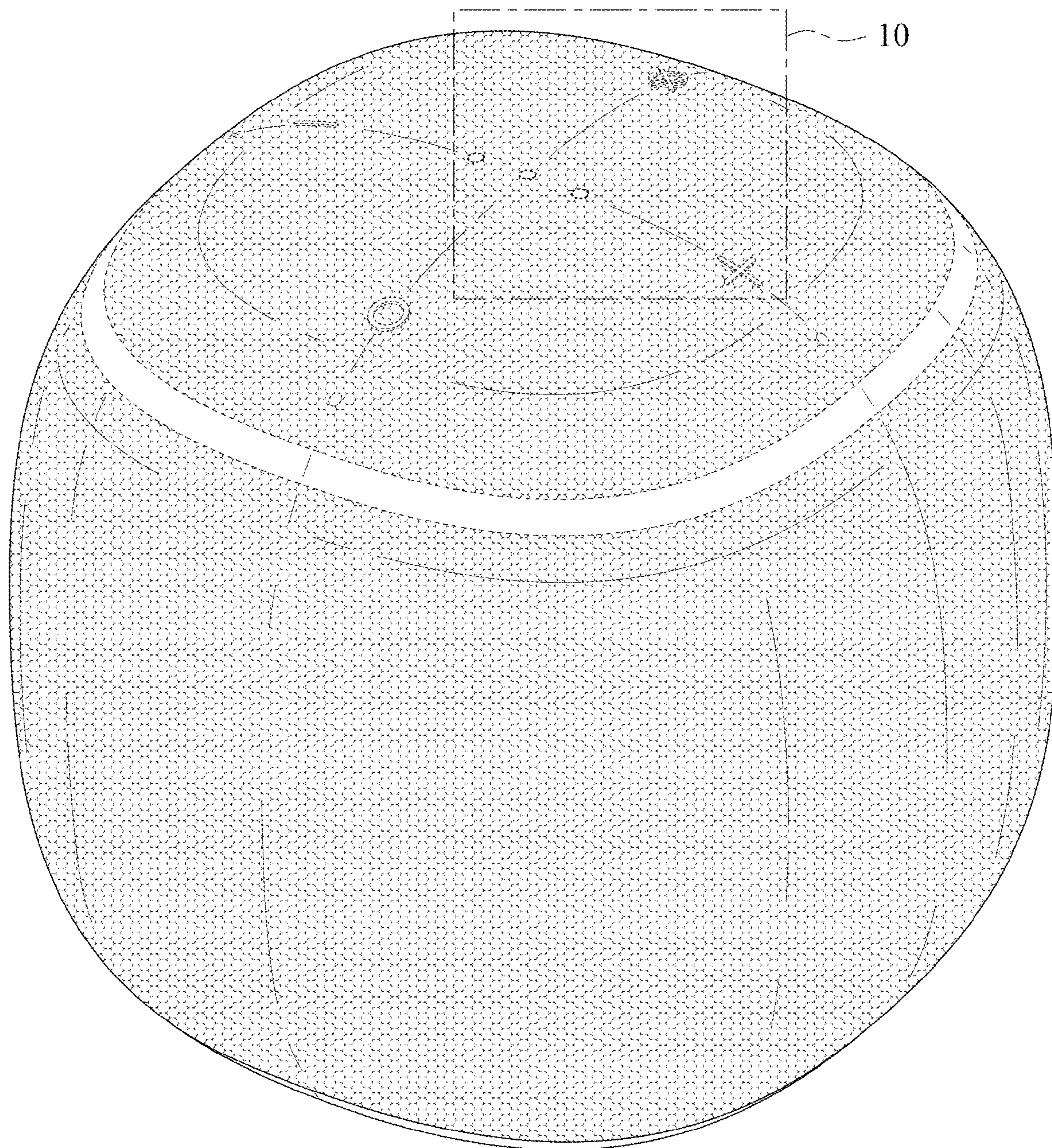


FIG. 10

