



US00D924836S

(12) **United States Design Patent** (10) **Patent No.:** **US D924,836 S**  
**Brown et al.** (45) **Date of Patent:** **\*\* Jul. 13, 2021**

(54) **LOUDSPEAKER**  
(71) Applicant: **Harman International Industries, Incorporated**, Northridge, CA (US)  
(72) Inventors: **Larry Paul Brown**, Altadena, CA (US); **Mark Glazer**, Agoura Hills, CA (US); **James Garrett**, Simi Valley, CA (US)  
(73) Assignee: **Harman International Industries, Incorporated**, Northridge, CA (US)  
(\*\*) Term: **15 Years**  
(21) Appl. No.: **29/705,060**  
(22) Filed: **Sep. 9, 2019**  
(51) **LOC (13) Cl.** ..... **14-01**  
(52) **U.S. Cl.**  
USPC ..... **D14/204**  
(58) **Field of Classification Search**  
USPC ..... D14/170-172, 188, 203.1, 203.3, 204, D14/348  
CPC . H04R 1/02; H04R 1/023; H04R 5/02; H04R 7/00; H04R 7/02; H04R 9/06; H04R 2400/00  
See application file for complete search history.

D777,146 S \* 1/2017 Cheng ..... D14/221  
D780,113 S \* 2/2017 Xianxi ..... D13/103  
D783,574 S 4/2017 Garrett et al.  
D805,499 S \* 12/2017 Crolla ..... D14/214  
D839,852 S 2/2019 Garrett et al.  
D839,853 S 2/2019 Garrett et al.

**OTHER PUBLICATIONS**

2018 Harman Revel F228Be Specification Sheet.  
2017 Harman Revel PerformaBe F228Be and M126Be Loudspeaker Owner's Manual.  
Design U.S. Appl. No. 29/513,607, filed Jan. 2, 2015.

\* cited by examiner

*Primary Examiner* — Janice Patyk  
(74) *Attorney, Agent, or Firm* — Plumsea Law Group, LLC

(57) **CLAIM**

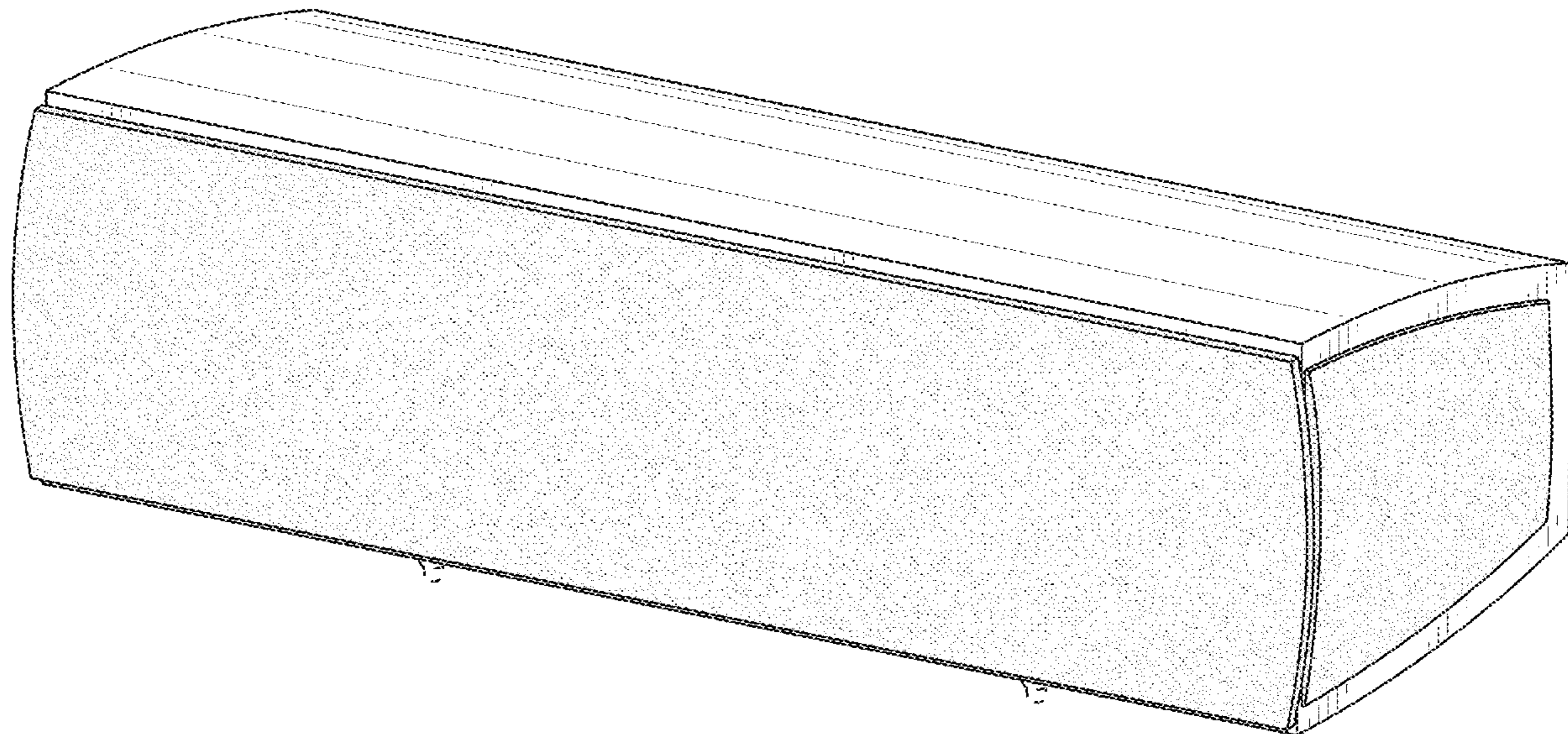
The ornamental design for a loudspeaker, as shown and described.

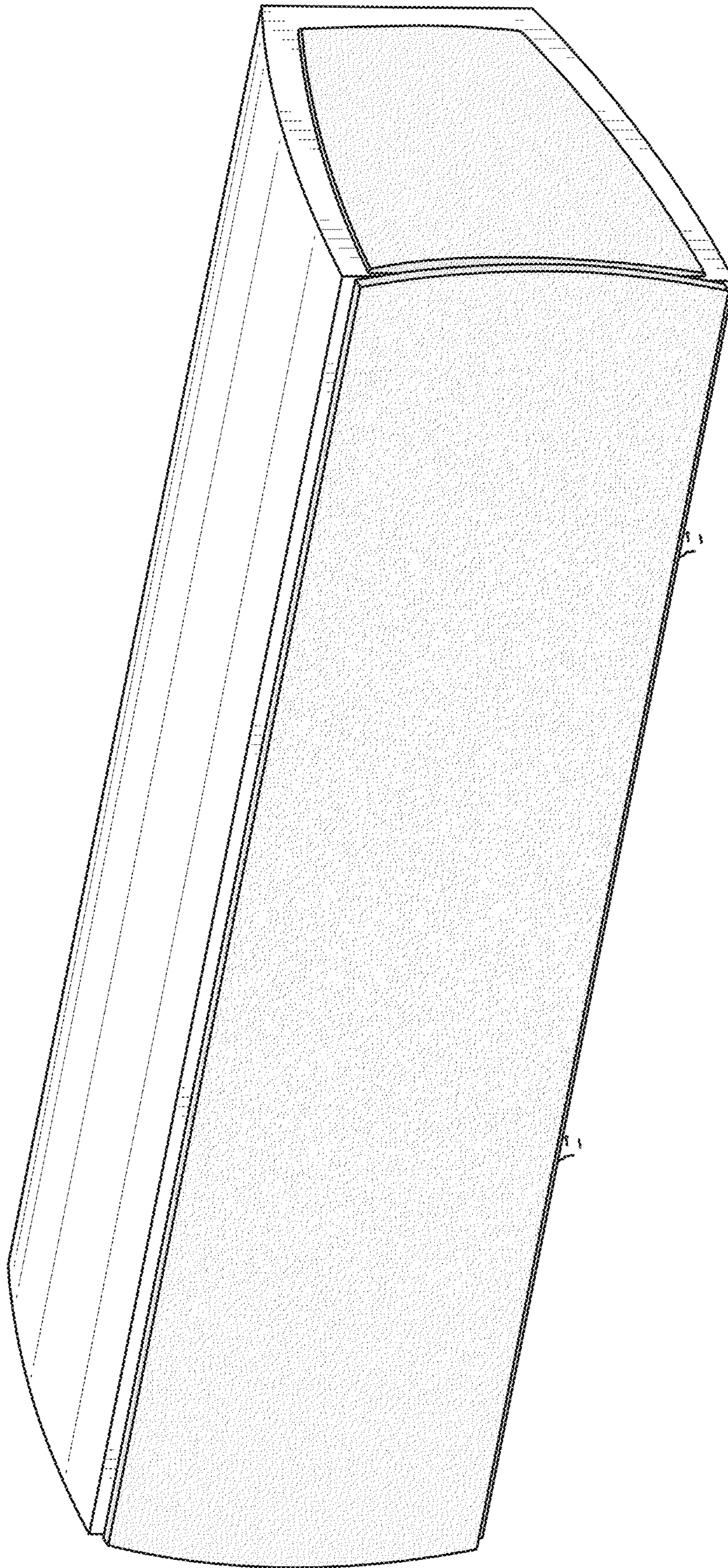
**DESCRIPTION**

FIG. 1 is a top perspective view of a loudspeaker showing the new design;  
FIG. 2 is a front elevational view thereof;  
FIG. 3 is a rear elevational view thereof;  
FIG. 4 is a side elevational view thereof;  
FIG. 5 is an opposite side elevational view thereof;  
FIG. 6 is a top view thereof; and,  
FIG. 7 is a bottom view thereof.  
The broken lines in the figures illustrate the portions of the design that form no part of the claimed design.

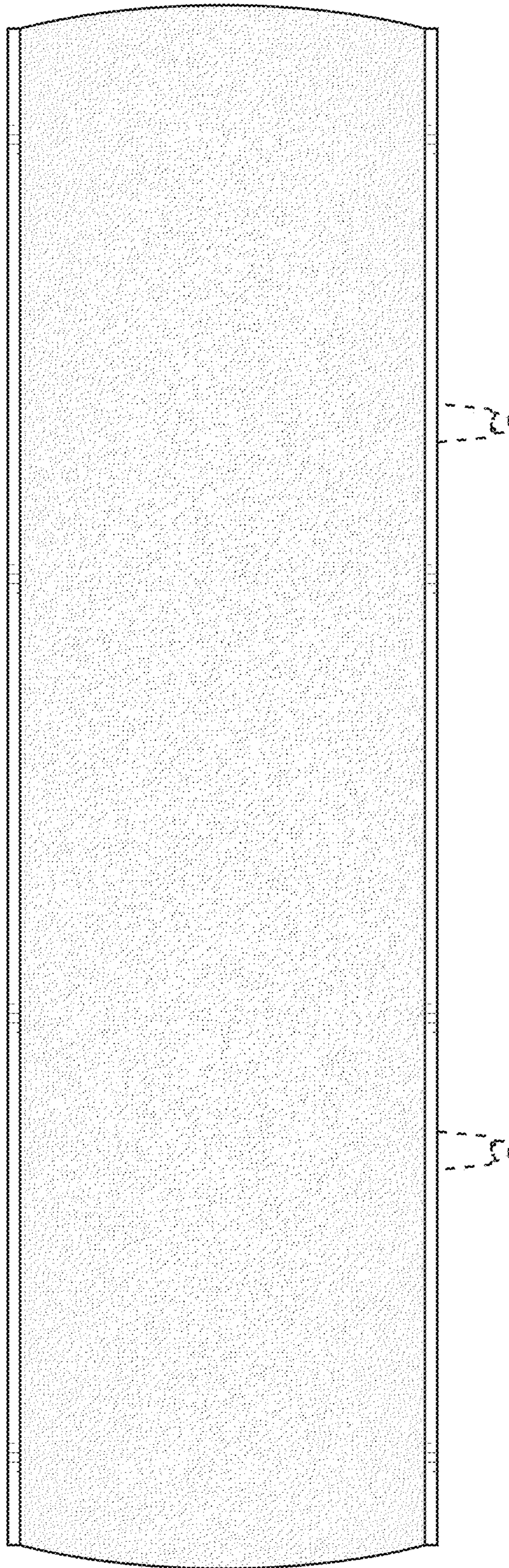
**1 Claim, 7 Drawing Sheets**

(56) **References Cited**  
U.S. PATENT DOCUMENTS  
D385,279 S \* 10/1997 Diute ..... D14/216  
D486,474 S \* 2/2004 Allen ..... D14/215  
D486,475 S \* 2/2004 Allen ..... D14/214  
D711,349 S 8/2014 Schmiedbauer et al.  
D712,377 S \* 9/2014 Delrue ..... D14/213  
D758,992 S 6/2016 Garrett et al.  
D771,592 S \* 11/2016 Cloarec ..... D14/212  
D771,598 S 11/2016 Gattinger  
D773,389 S \* 12/2016 Miller ..... D13/103

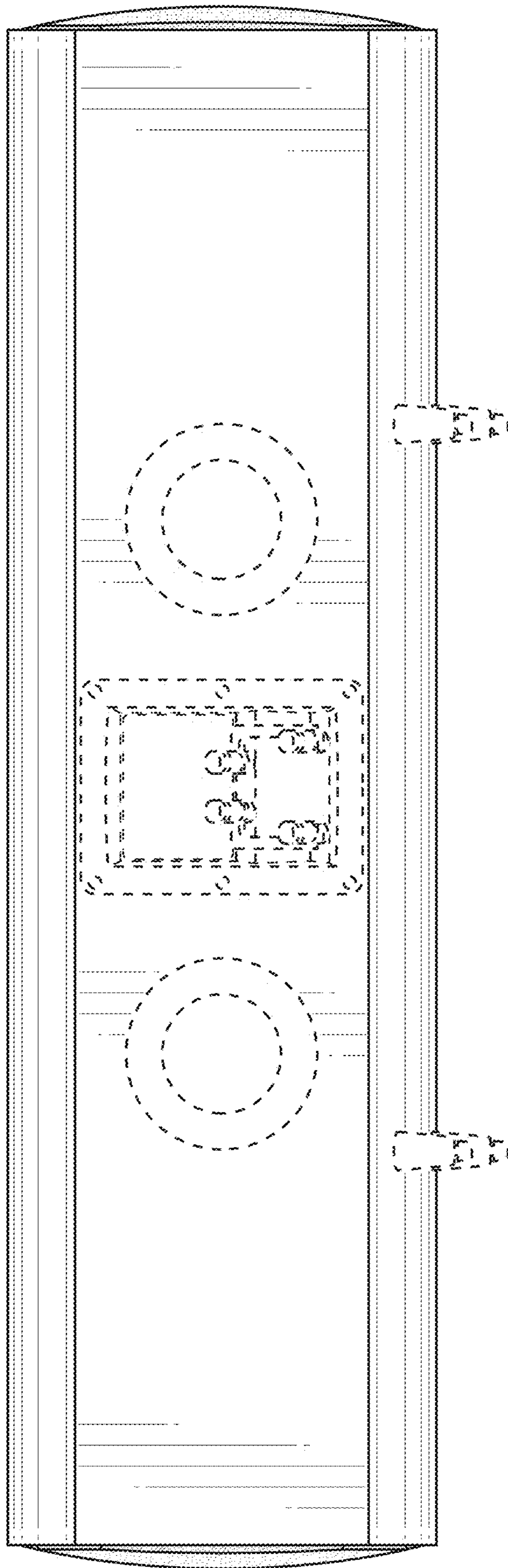




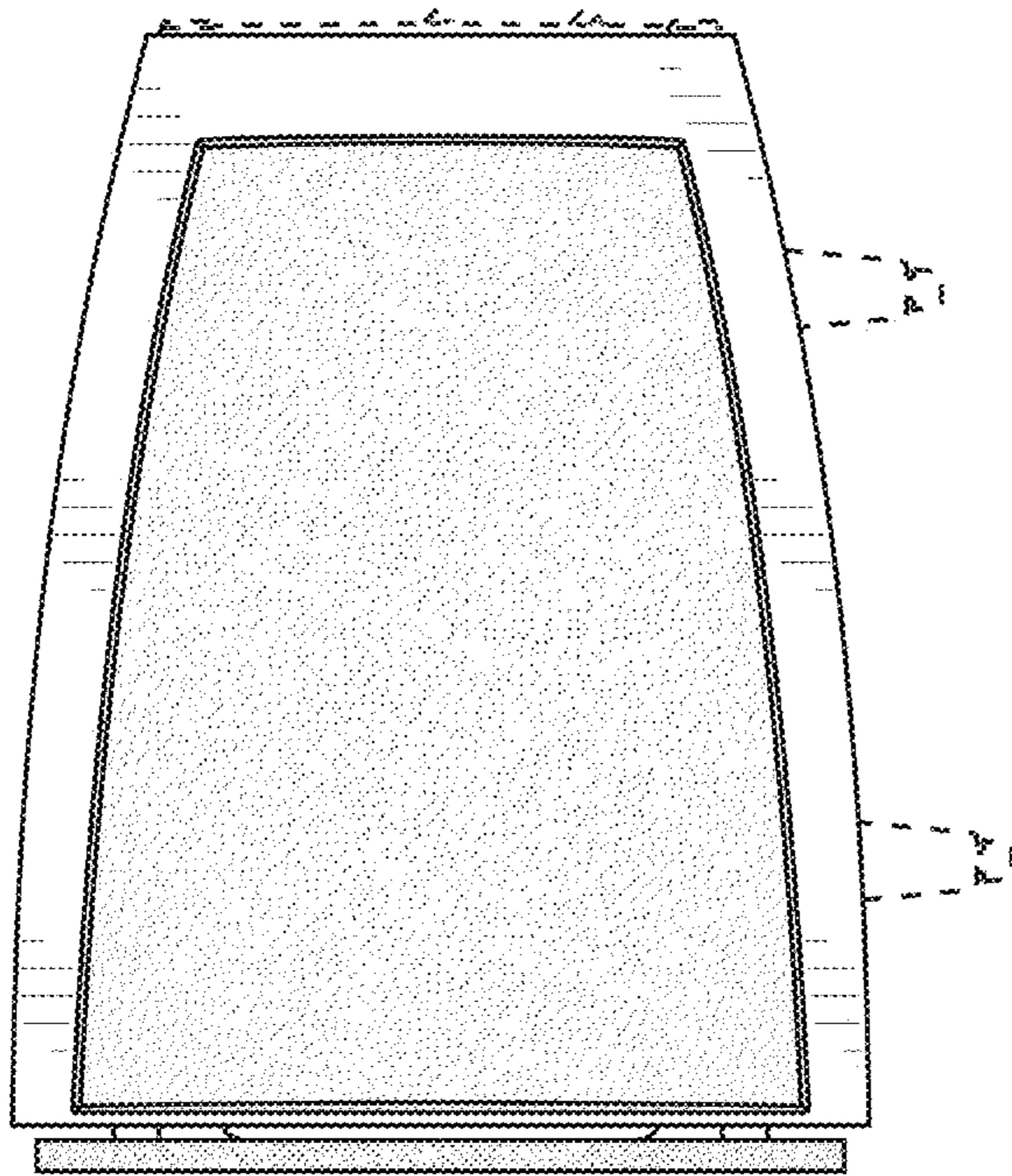
**FIG. 1**



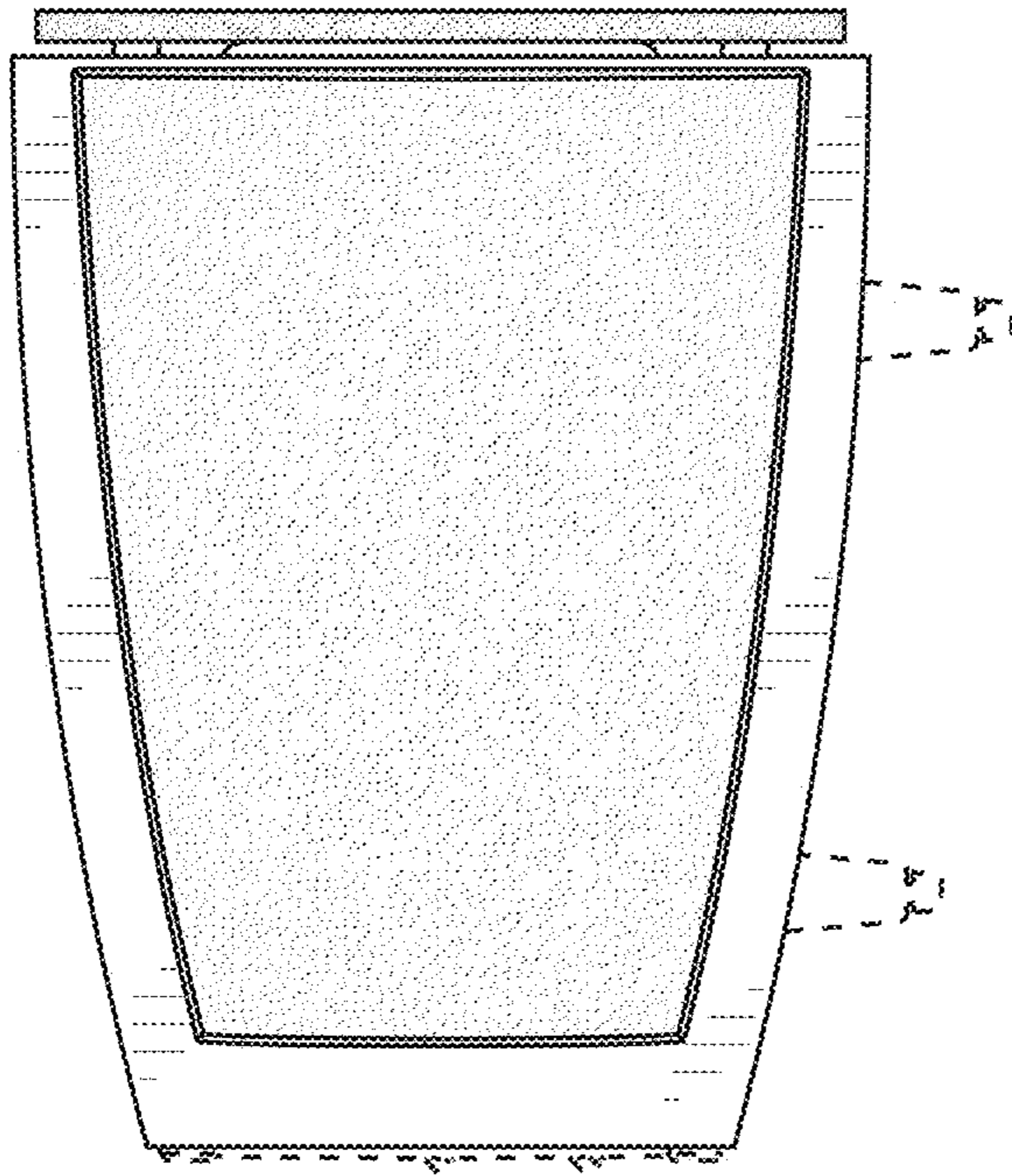
**FIG. 2**



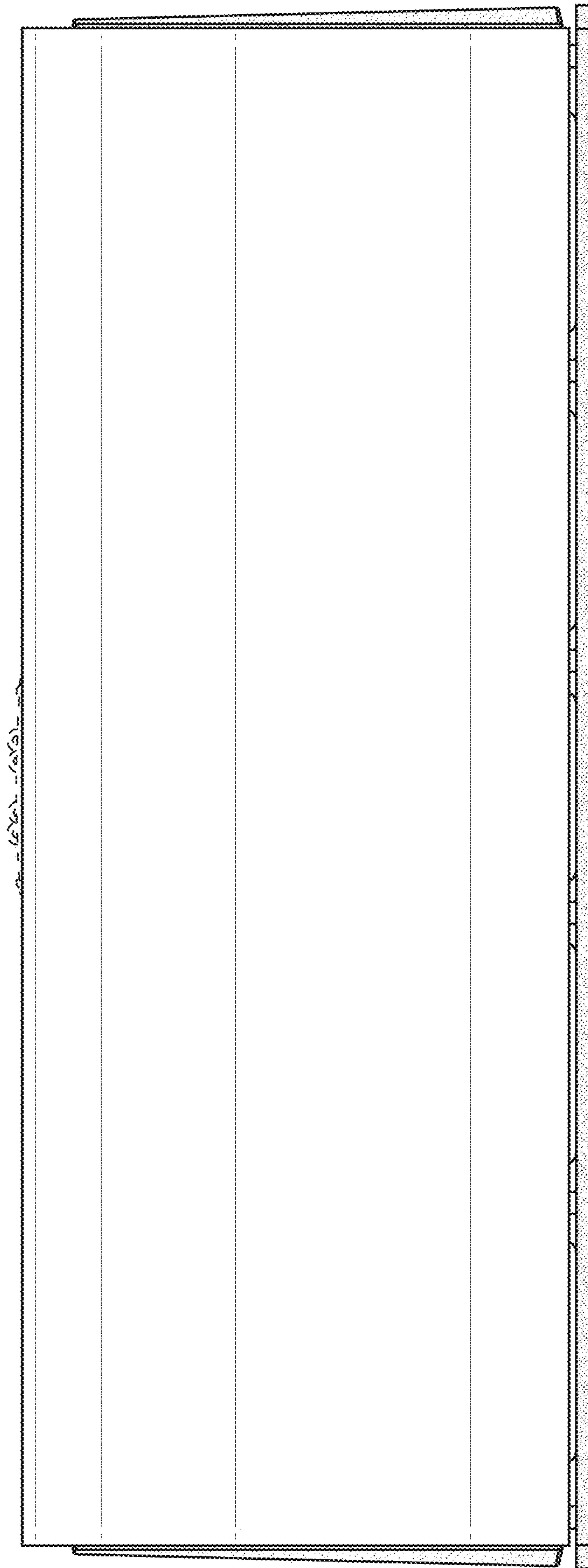
**FIG. 3**



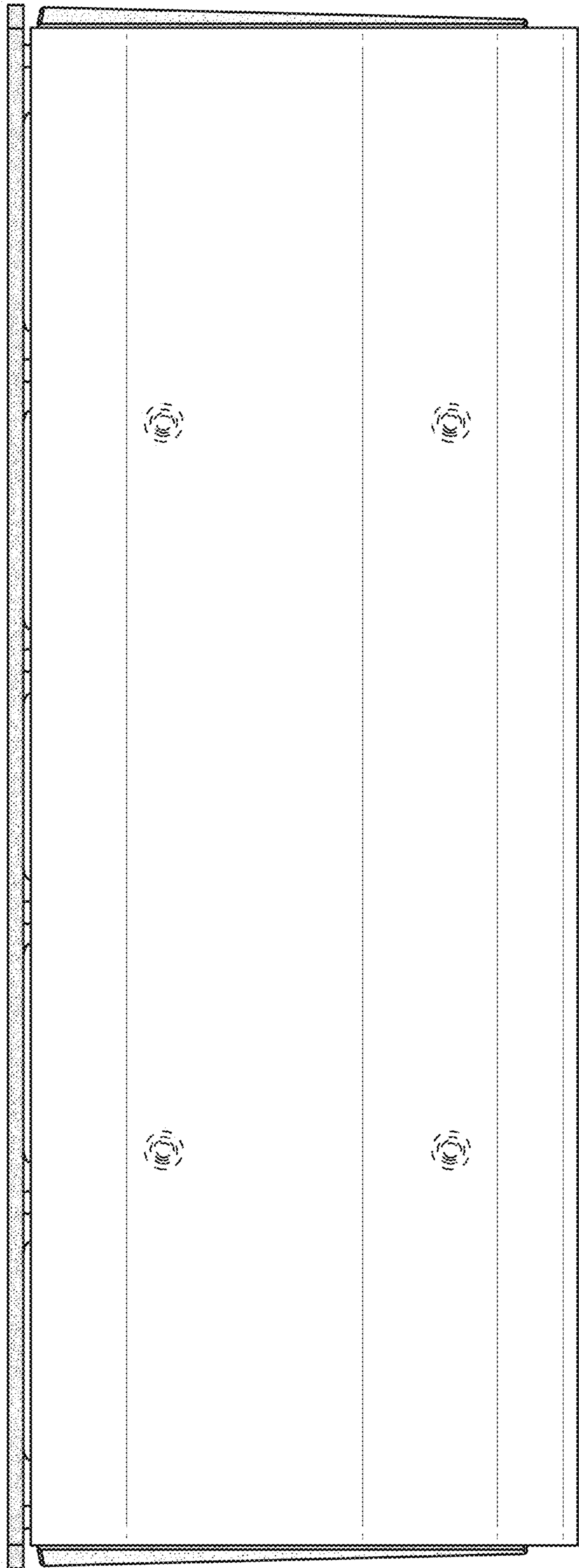
**FIG. 4**



**FIG. 5**



**FIG. 6**



**FIG. 7**