



US00D924833S

(12) **United States Design Patent**  
**Czaniecki et al.**

(10) **Patent No.:** **US D924,833 S**

(45) **Date of Patent:** **\*\* Jul. 13, 2021**

(54) **LOUDSPEAKER**

(71) Applicant: **Harman International Industries, Incorporated**, Northridge, CA (US)

(72) Inventors: **Rafal Mateusz Czaniecki**, Shenzhen (CN); **Cristian Marcelo Lorca Norambuena**, Shenzhen (CN); **Rongjian Huang**, Shenzhen (CN)

(73) Assignee: **Harman International Industries, Incorporated**, Northridge, CA (US)

(\*\*) Term: **15 Years**

(21) Appl. No.: **29/704,324**

(22) Filed: **Sep. 4, 2019**

(51) **LOC (13) Cl.** ..... **14-01**

(52) **U.S. Cl.**  
USPC ..... **D14/204**

(58) **Field of Classification Search**  
USPC ..... D14/170–172, 188, 203.1, 203.3, 204, D14/348

CPC . H04R 1/02; H04R 1/023; H04R 5/02; H04R 7/00; H04R 7/02; H04R 9/06; H04R 2400/00

See application file for complete search history.

(56) **References Cited**

**U.S. PATENT DOCUMENTS**

D328,462 S *	8/1992	Christie	.....	D14/215
D437,306 S *	2/2001	Masui	.....	D14/214
D486,817 S *	2/2004	Matsuoka	.....	D14/214
D521,981 S *	5/2006	Sogabe	.....	D14/214
D557,257 S *	12/2007	Azumi	.....	D14/214
D609,214 S	2/2010	Hussey et al.		
D609,215 S	2/2010	Hussey et al.		

D609,216 S *	2/2010	Davies	.....	D14/214
D644,627 S *	9/2011	Garrett	.....	D14/214
D655,691 S *	3/2012	Stewart, Jr.	.....	D14/214
D724,564 S *	3/2015	Davies	.....	D14/215
D756,331 S	5/2016	Kamlet et al.		
D776,086 S *	1/2017	Baird	.....	D14/214
D800,696 S	10/2017	Tubis et al.		

**OTHER PUBLICATIONS**

Design U.S. Appl. No. 29/626,790, filed Nov. 20, 2017.  
Design U.S. Appl. No. 29/626,795, filed Nov. 20, 2017.

\* cited by examiner

*Primary Examiner* — Janice Patyk

(74) *Attorney, Agent, or Firm* — Plumsea Law Group, LLC

(57) **CLAIM**

The ornamental design for a loudspeaker, as shown and described.

**DESCRIPTION**

FIG. 1 is a top perspective view of a loudspeaker showing the new design;

FIG. 2 is a front elevational view thereof;

FIG. 3 is a rear elevational view thereof;

FIG. 4 is a side elevational view thereof;

FIG. 5 is an opposite side elevational view thereof;

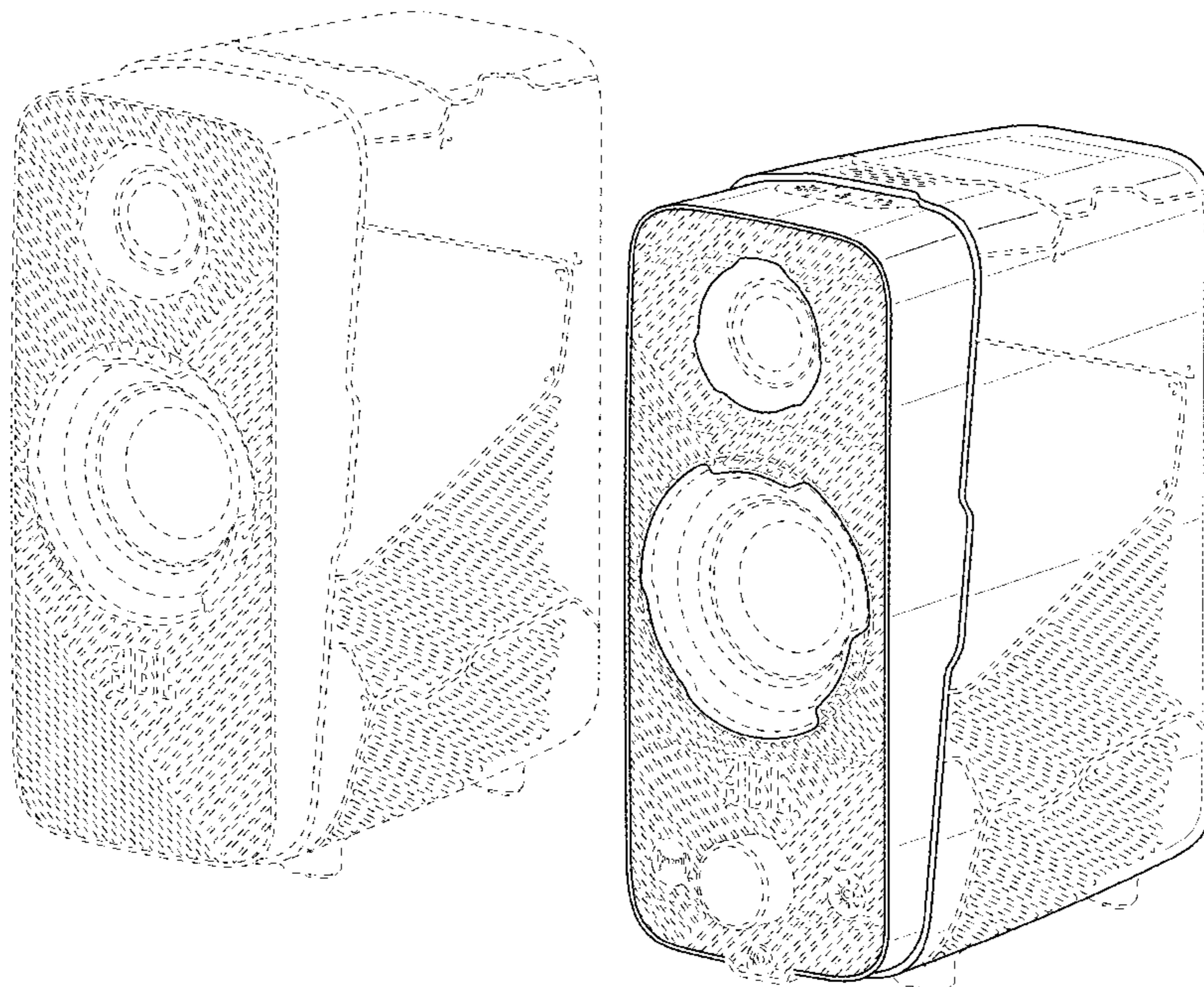
FIG. 6 is a top view thereof;

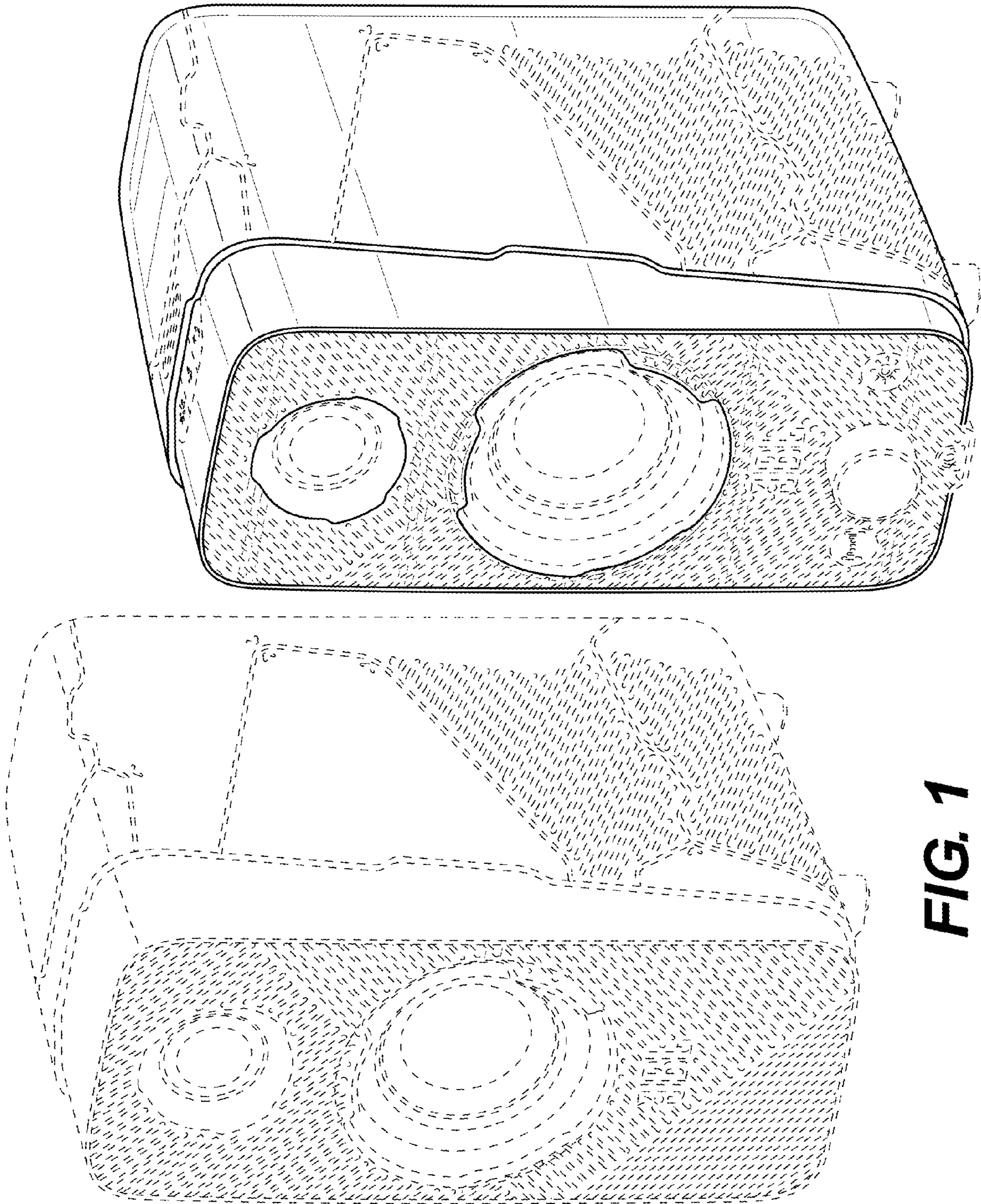
FIG. 7 is a bottom view thereof; and,

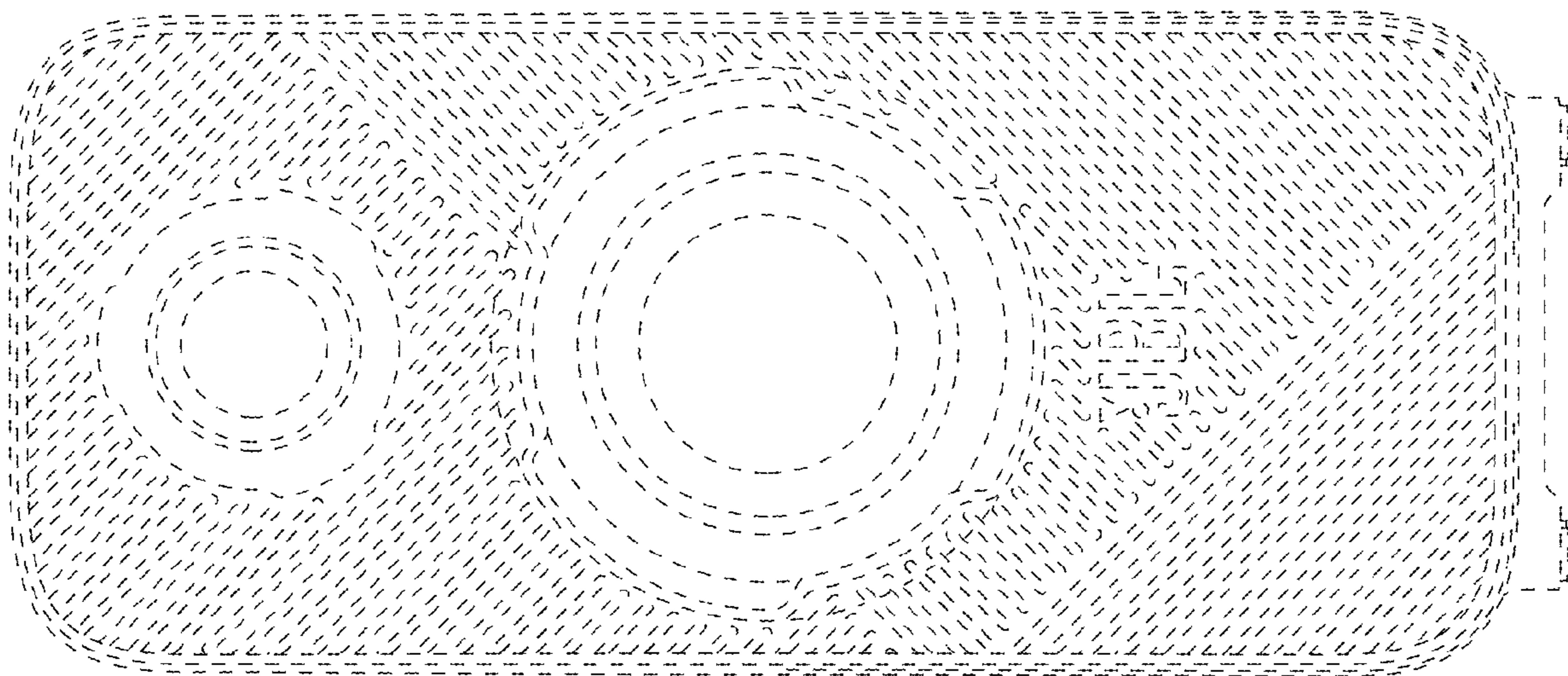
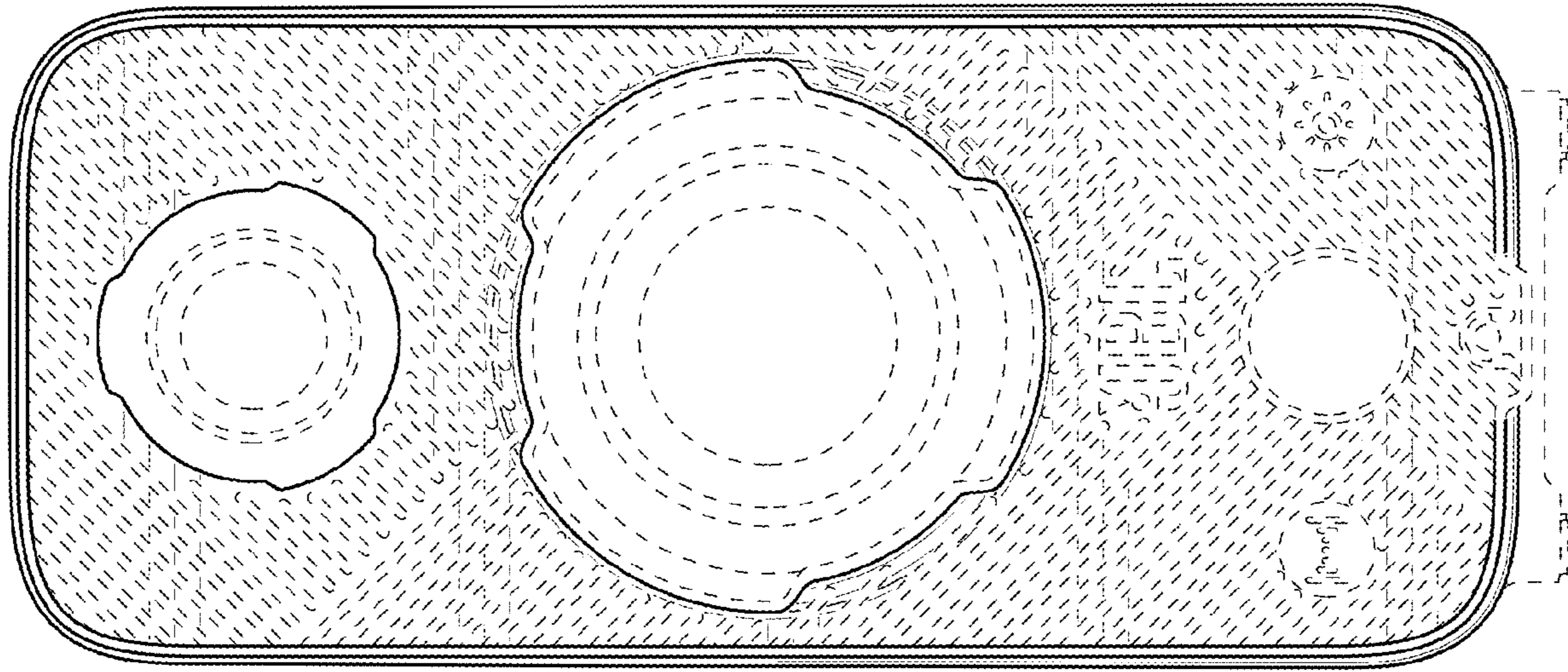
FIG. 8 is a side elevation view thereof, shown without the environmental loudspeaker for ease of illustration.

The broken lines illustrate portions of the loudspeaker that form no part of the claimed design. The broken lines loudspeaker in the figures illustrates environmental subject matter that forms no part of the claimed design.

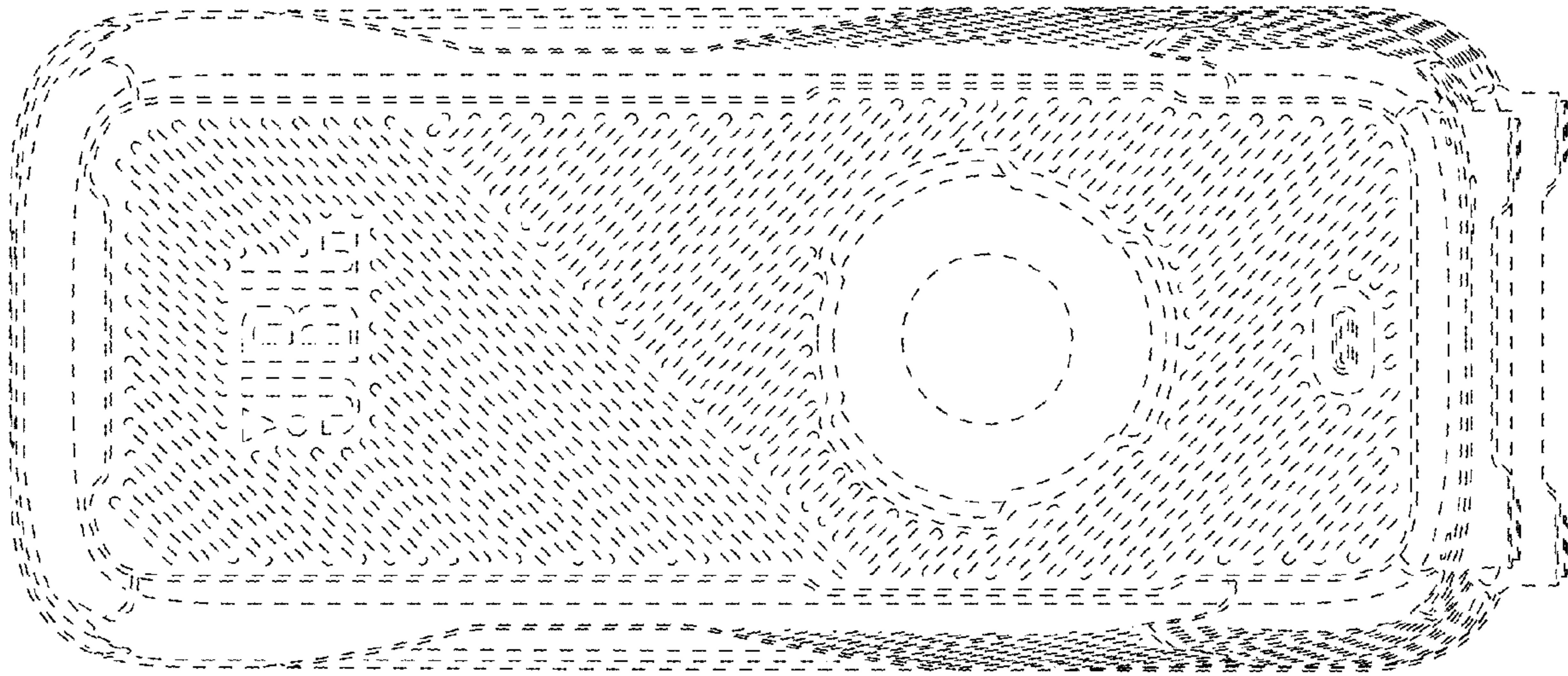
**1 Claim, 8 Drawing Sheets**



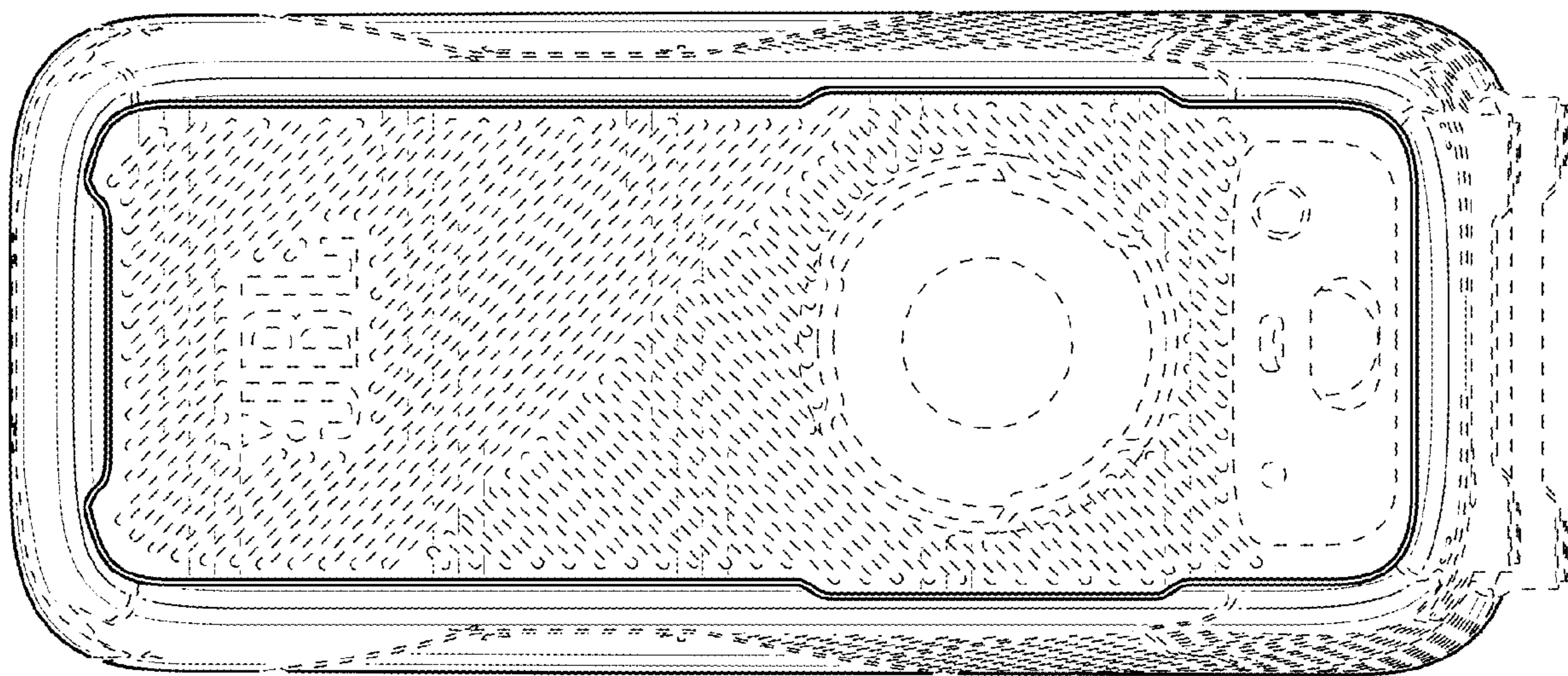


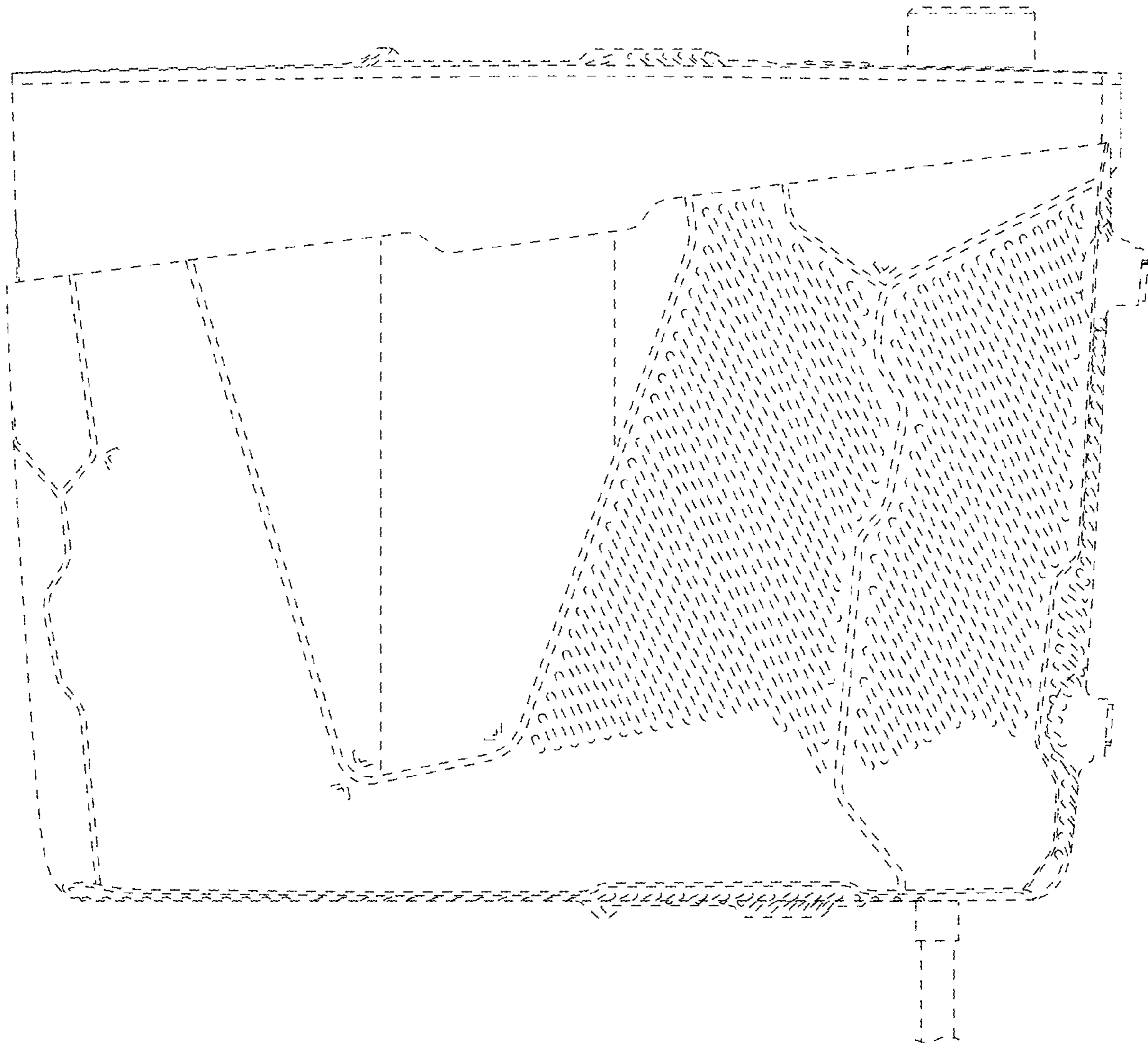


**FIG. 2**

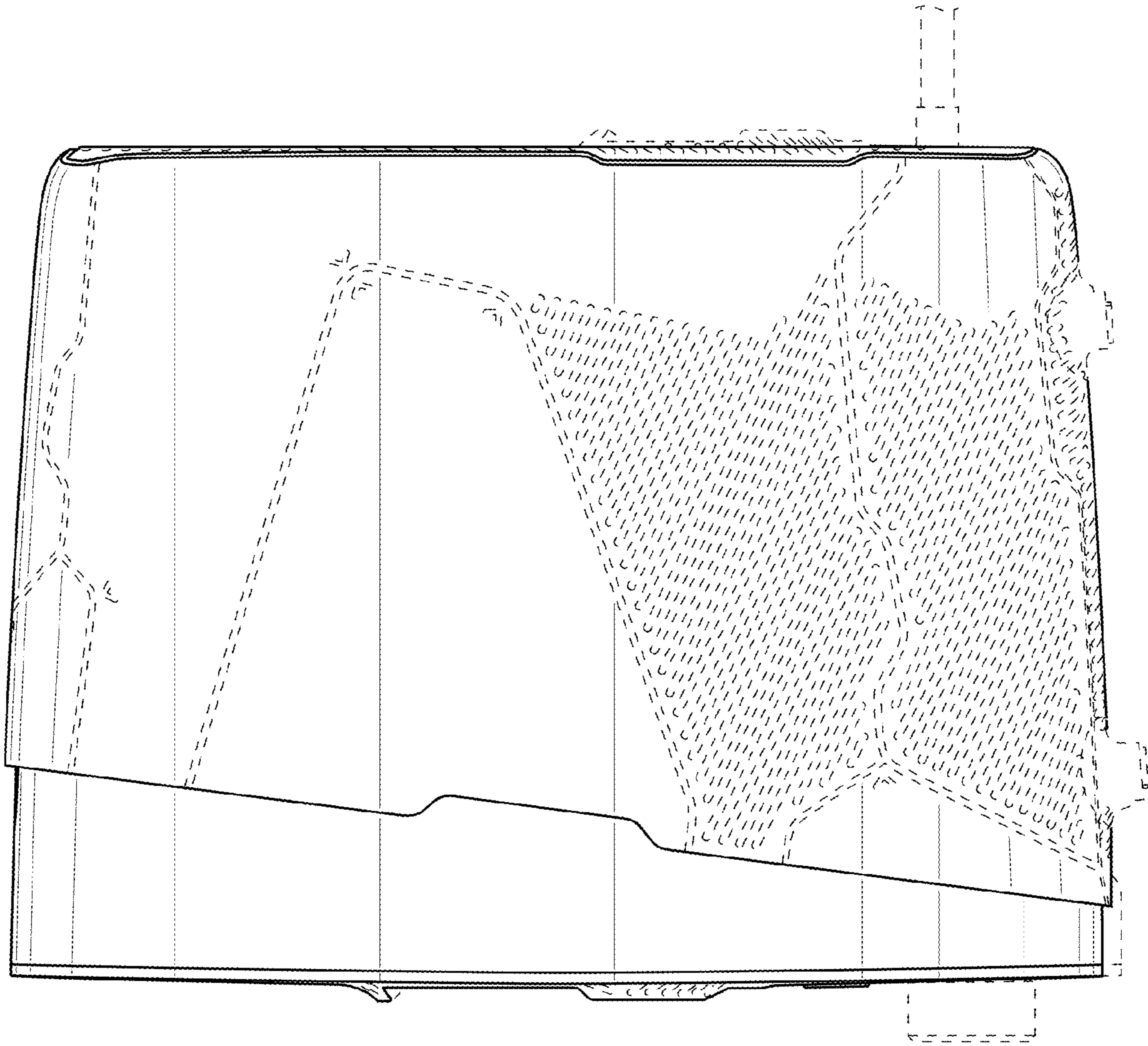


**FIG. 3**

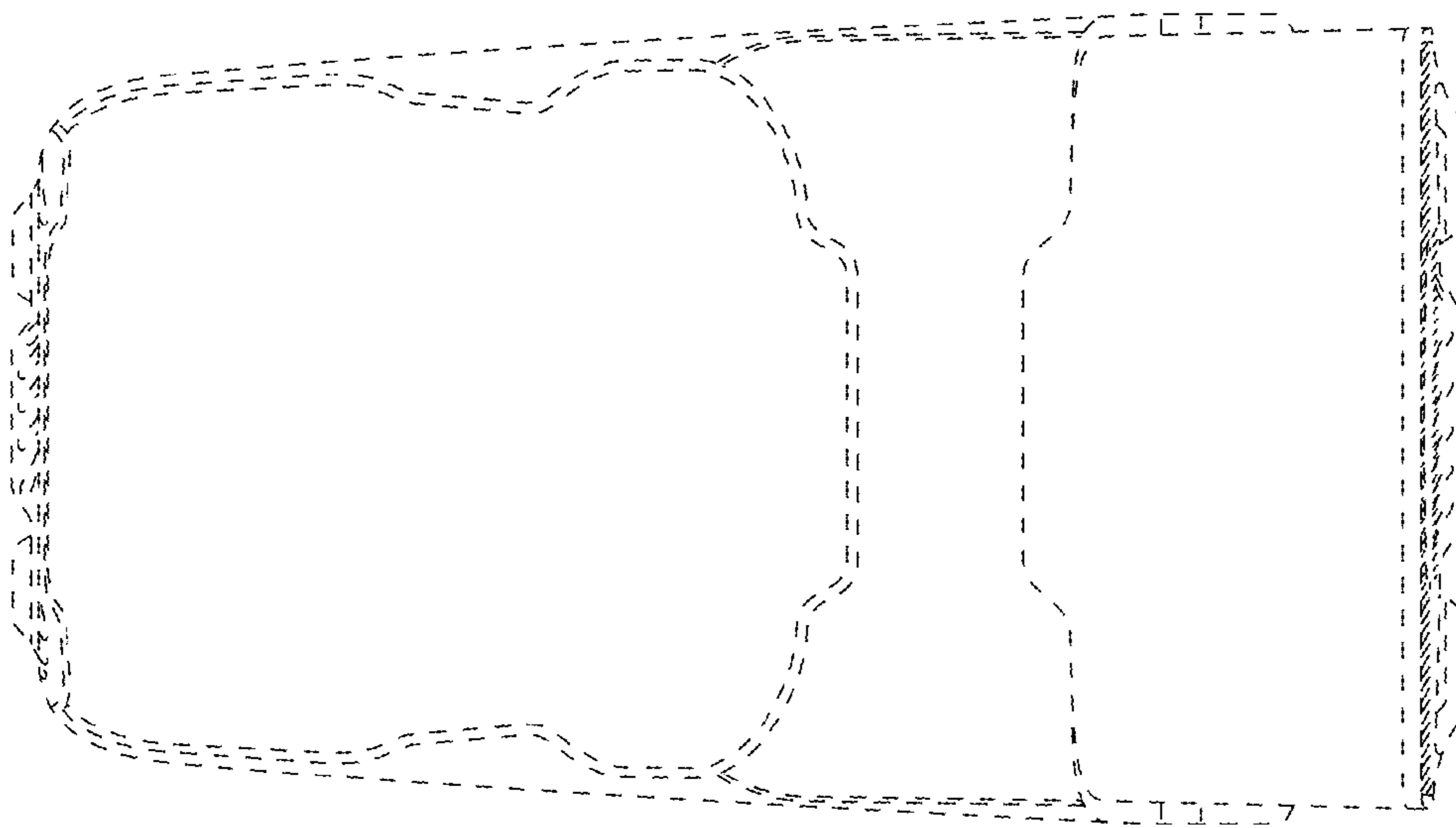
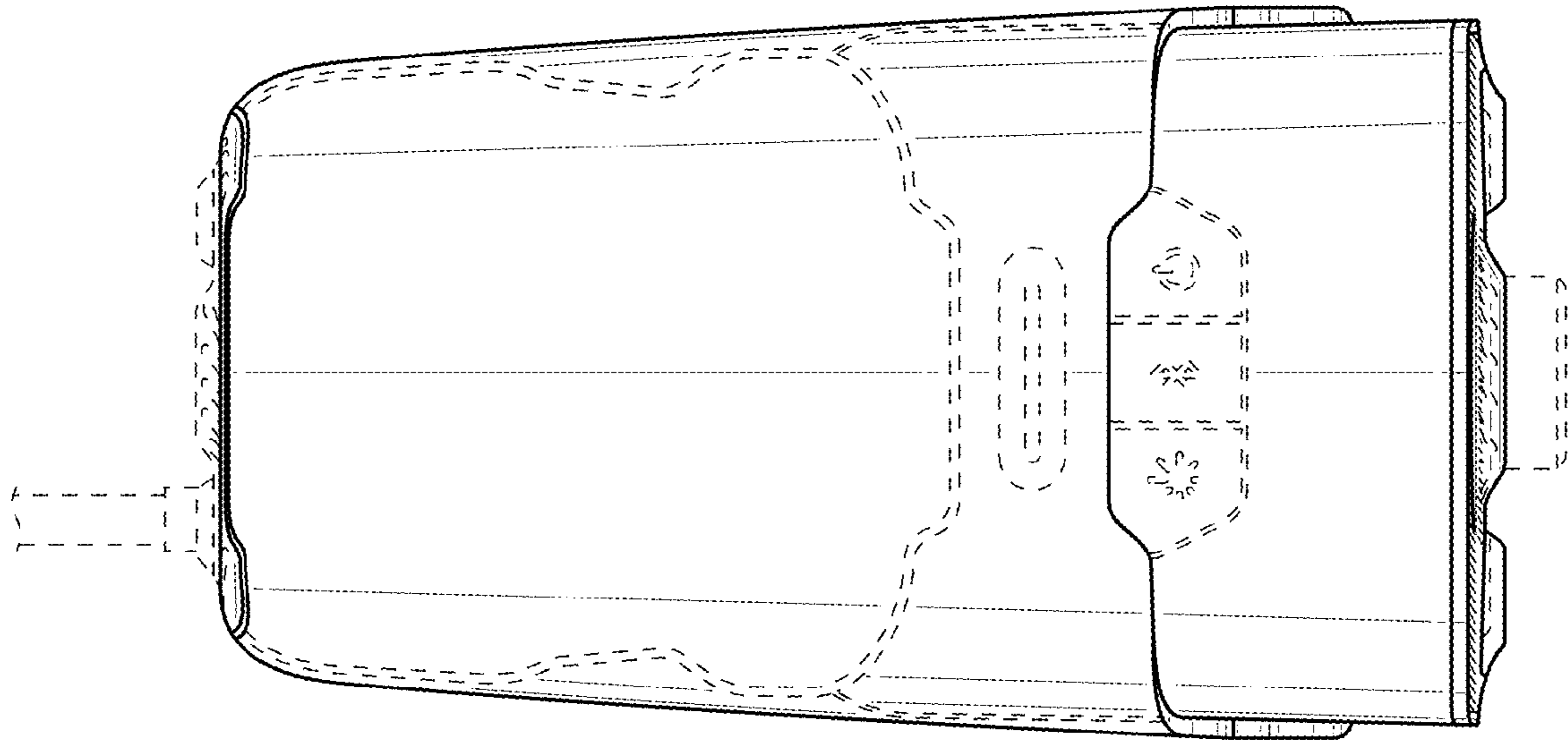




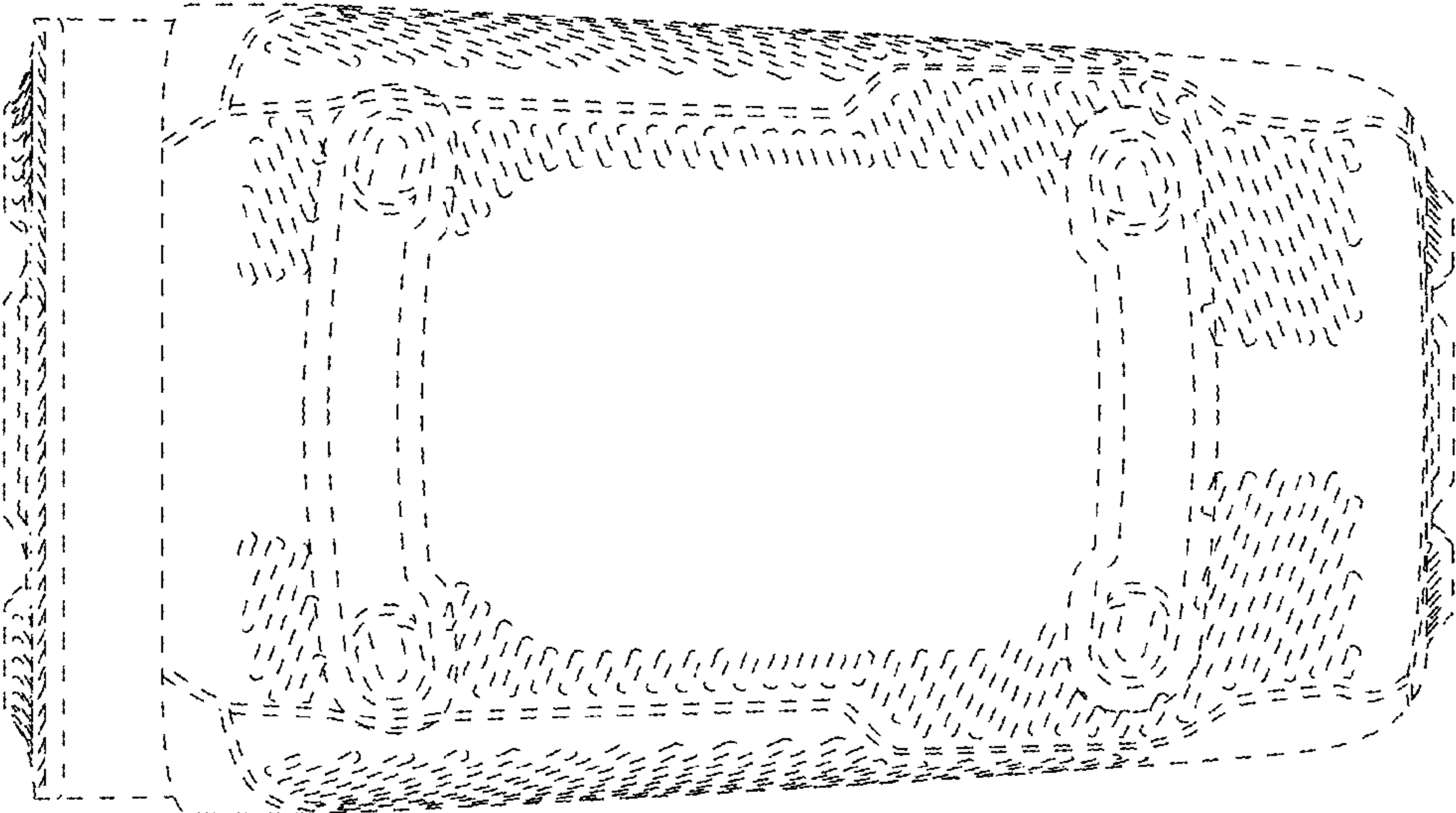
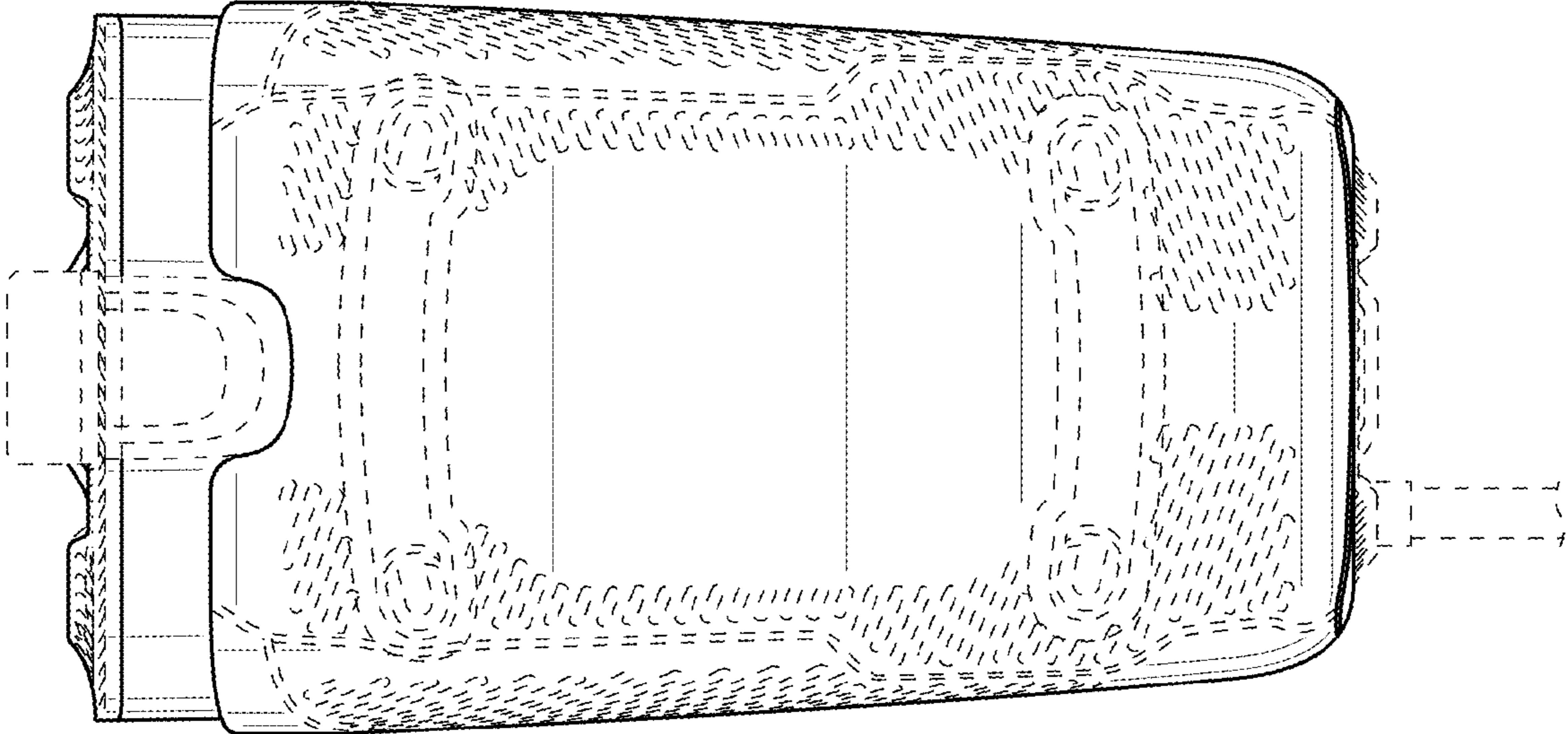
**FIG. 4**



**FIG. 5**

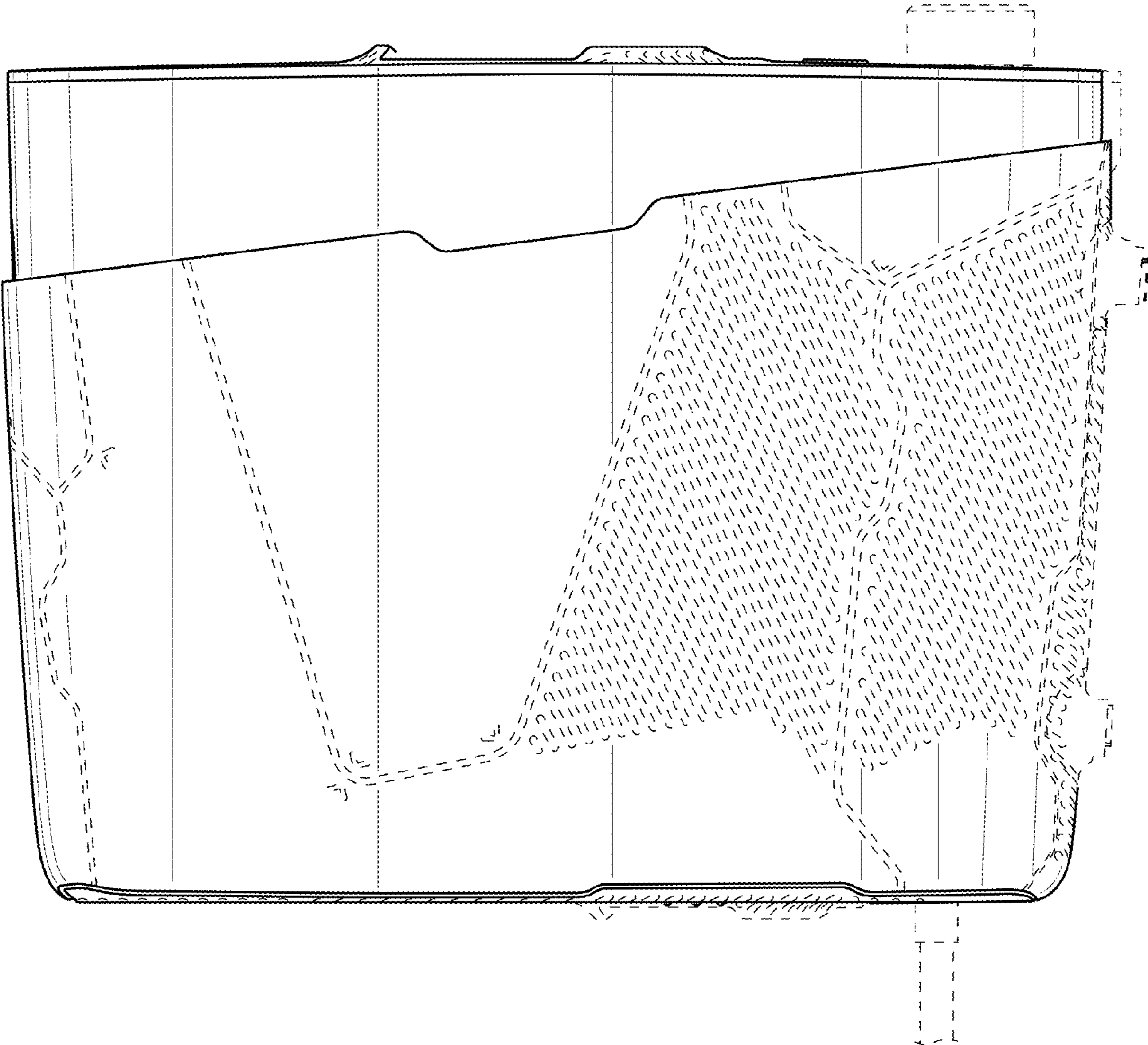


**FIG. 6**



**FIG. 7**





**FIG. 8**