



US00D924827S

(12) **United States Design Patent**  
**Tschopp**

(10) **Patent No.:** **US D924,827 S**

(45) **Date of Patent:** **\*\* Jul. 13, 2021**

(54) **COMMUNICATION DEVICE**

FOREIGN PATENT DOCUMENTS

(71) Applicant: **Black & Decker Inc.**, New Britain, CT  
(US)

CN 3554841 \* 8/2006  
CN 3584340 \* 11/2006

(Continued)

(72) Inventor: **Tylan A. Tschopp**, Baltimore, MD (US)

(73) Assignee: **BLACK & DECKER INC.**, New  
Britain, CT (US)

OTHER PUBLICATIONS

Craftsman 32-Mile Long Range Walkie Talkies for Adults-, posted  
on Amazon.com, first available Oct. 1, 2018, [online], [site visited  
Sep. 28, 2020], Internet URL: <https://www.amazon.com/CRAFTSMAN-32-Mile-Walkie-Talkies-Adults/dp/B07Y5VSDDN?th=1> (Year: 2018).\*

(Continued)

(\*\*) Term: **15 Years**

(21) Appl. No.: **29/659,754**

(22) Filed: **Aug. 11, 2018**

*Primary Examiner* — Jeffrey D Asch

(51) **LOC (13) Cl.** ..... **14-03**

(74) *Attorney, Agent, or Firm* — Adan Ayala

(52) **U.S. Cl.**

USPC ..... **D14/137**

(58) **Field of Classification Search**

USPC ..... D14/137, 138 AA, 147, 148, 218, 155,  
D14/159, 142, 225, 226, 191, 188, 192,  
D14/194-198; D21/517; D10/104.1,  
D10/104.2, 106.1, 65, 78; D13/168;  
D30/199

CPC ..... H04B 1/3833; H04B 1/3827; H04B  
2001/3861; H04M 1/0202; H04M 1/03;  
H04M 1/035; G08B 21/0202

See application file for complete search history.

(57) **CLAIM**

The ornamental design for a communication device, as  
shown and described.

**DESCRIPTION**

FIG. 1 is a front perspective view of a communication  
device according to the invention.

FIG. 2 is a front view of the communication device of FIG.  
1.

FIG. 3 is a rear view of the communication device of FIG.  
1.

FIG. 4 is a left side view of the communication device of  
FIG. 1.

FIG. 5 is a right side view of the communication device of  
FIG. 1.

FIG. 6 is a top plan view of the communication device of  
FIG. 1; and,

FIG. 7 is a bottom plan view of the communication device  
of FIG. 1.

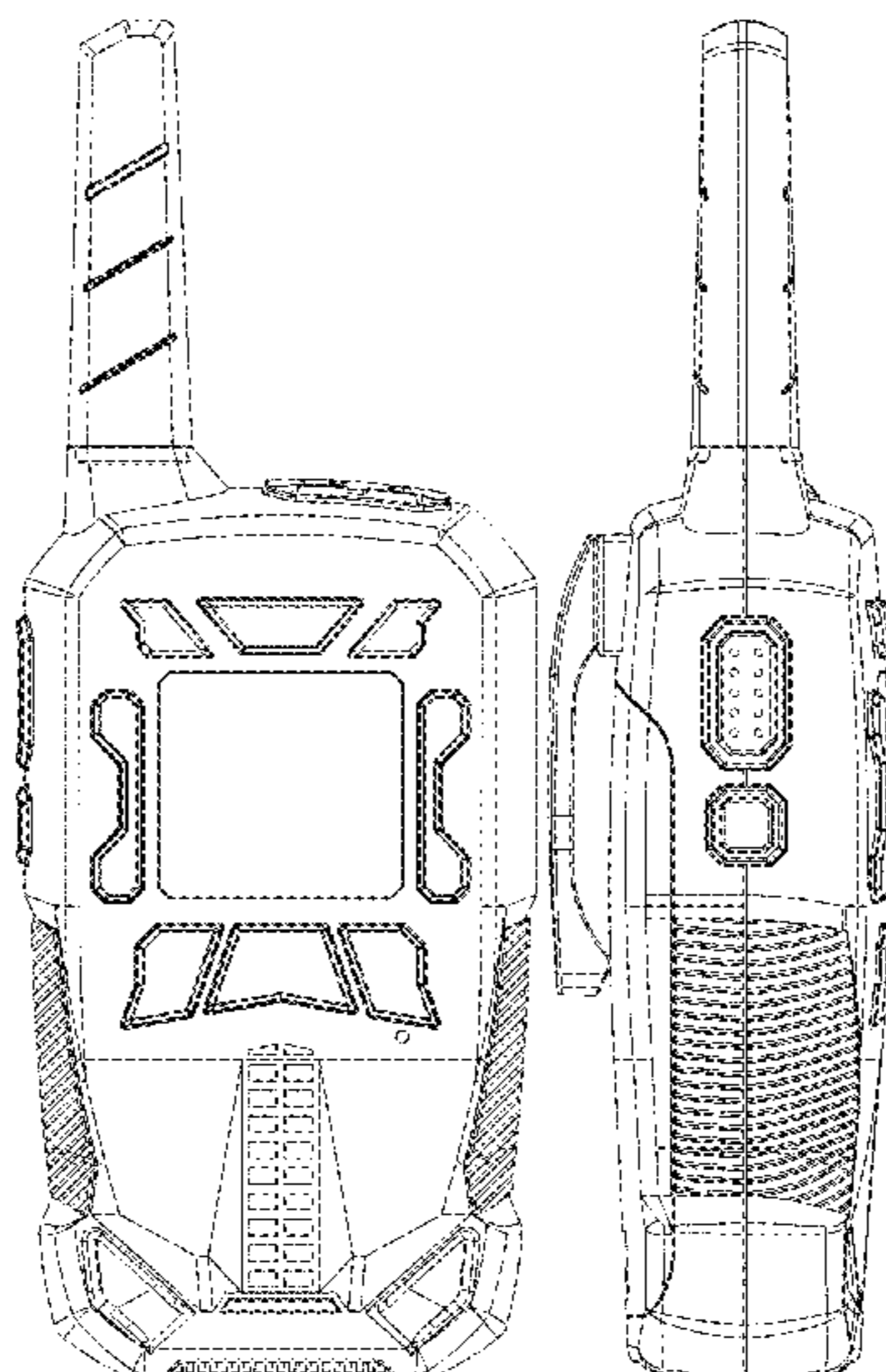
(56) **References Cited**

U.S. PATENT DOCUMENTS

D395,882 S *	7/1998	Oross	.....	D14/137
D412,501 S *	8/1999	Tyneski	.....	D14/137
D416,254 S *	11/1999	Wild	.....	D14/138 AA
D446,780 S *	8/2001	Sedan	.....	D14/137
D452,684 S *	1/2002	Sedan	.....	D14/137
D467,565 S *	12/2002	Pesqueira	.....	D14/137
D467,889 S *	12/2002	Cebe	.....	D14/137
D473,809 S *	4/2003	Disch	.....	D10/78
D482,009 S *	11/2003	Robertson, Jr.	.....	D14/137
D534,444 S *	1/2007	Wallace	.....	D10/78
D538,236 S *	3/2007	Ombe	.....	D13/168

(Continued)

**1 Claim, 7 Drawing Sheets**



(56)

References Cited

OTHER PUBLICATIONS

U.S. PATENT DOCUMENTS

D602,893 S \* 10/2009 Nishida ..... D14/137  
 D615,516 S \* 5/2010 Shi ..... D14/138 AA  
 D651,997 S \* 1/2012 Oikawa ..... D14/137  
 D718,161 S \* 11/2014 Derr ..... D10/81  
 D774,935 S \* 12/2016 Liu ..... D10/104.1  
 D816,632 S \* 5/2018 Yamamoto ..... D14/137  
 D834,432 S \* 11/2018 Wang ..... D10/78  
 D835,860 S \* 12/2018 Li ..... D30/199  
 D838,612 S \* 1/2019 Xie ..... D10/78  
 D842,830 S \* 3/2019 Nishida ..... D14/137  
 D846,413 S \* 4/2019 Wang ..... D10/78  
 D862,812 S \* 10/2019 Jia ..... D30/199  
 D881,151 S \* 4/2020 Gui ..... D14/137  
 D889,424 S \* 7/2020 Chen ..... D14/137  
 D892,757 S \* 8/2020 Pang ..... D14/137

FOREIGN PATENT DOCUMENTS

EM 005227501-0001 \* 4/2018  
 EM 007565288-0001 \* 4/2020  
 EM 007562962-0001 \* 5/2020

Cobra ACXT345 Walkie Talkies—Rechargeable, Long Range 25-Mile Two Way Radio Set with VOX (2 Pack) posted on Amazon.com, first available Jan. 1, 2016, [online], [site visited Sep. 25, 2020], Internet URL: <https://www.amazon.com/Cobra-ACXT345-Walkie-Talkie/dp/B019RIOWWM>(Year: 2016).\*

Uniden SX327-2CKHS Up to 32-Mile Range FRS Two-Way Radio Walkie Talkies, posted on Amazon.com, first available Apr. 15, 2017, [online], [site visited Sep. 28, 2020], Internet URL: <https://www.amazon.com/Uniden-SX327-2CKHS-Charging-Resistant-Flashlight/dp/B06XJKWXC6> (Year: 2017).\*

Cobra Electronics Corporation CX112 2 Way Radio Cobra 2 Pack, posted on Amazon.com, first available May 1, 2013, [online], [site visited Sep. 28, 2020], Internet URL: <https://www.amazon.com/Cobra-CX112-Walkie-Talkie-Two-Way-Radio/dp/B00BKV3HQW> (Year: 2013).\*

\* cited by examiner

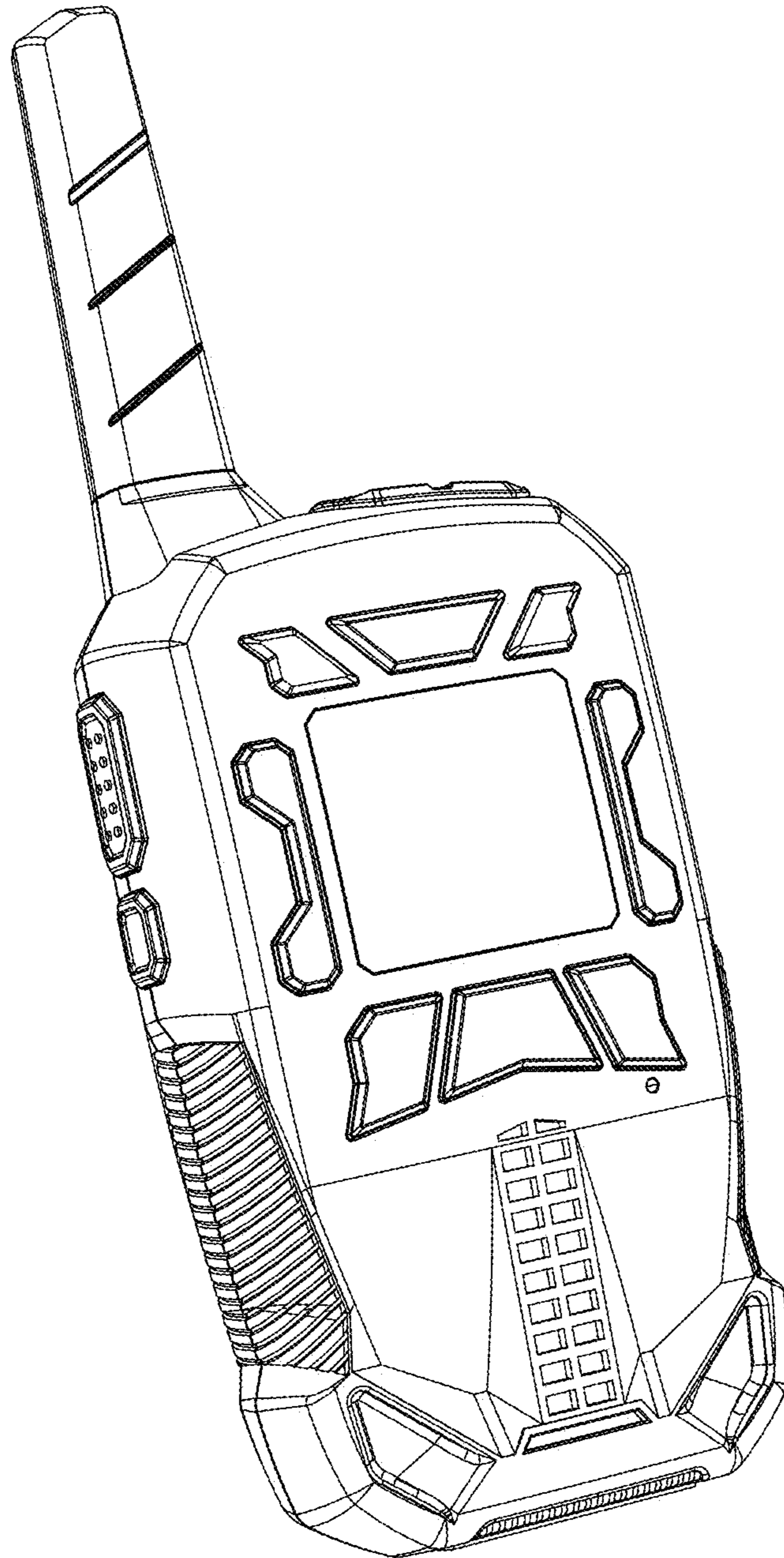


FIG. 1

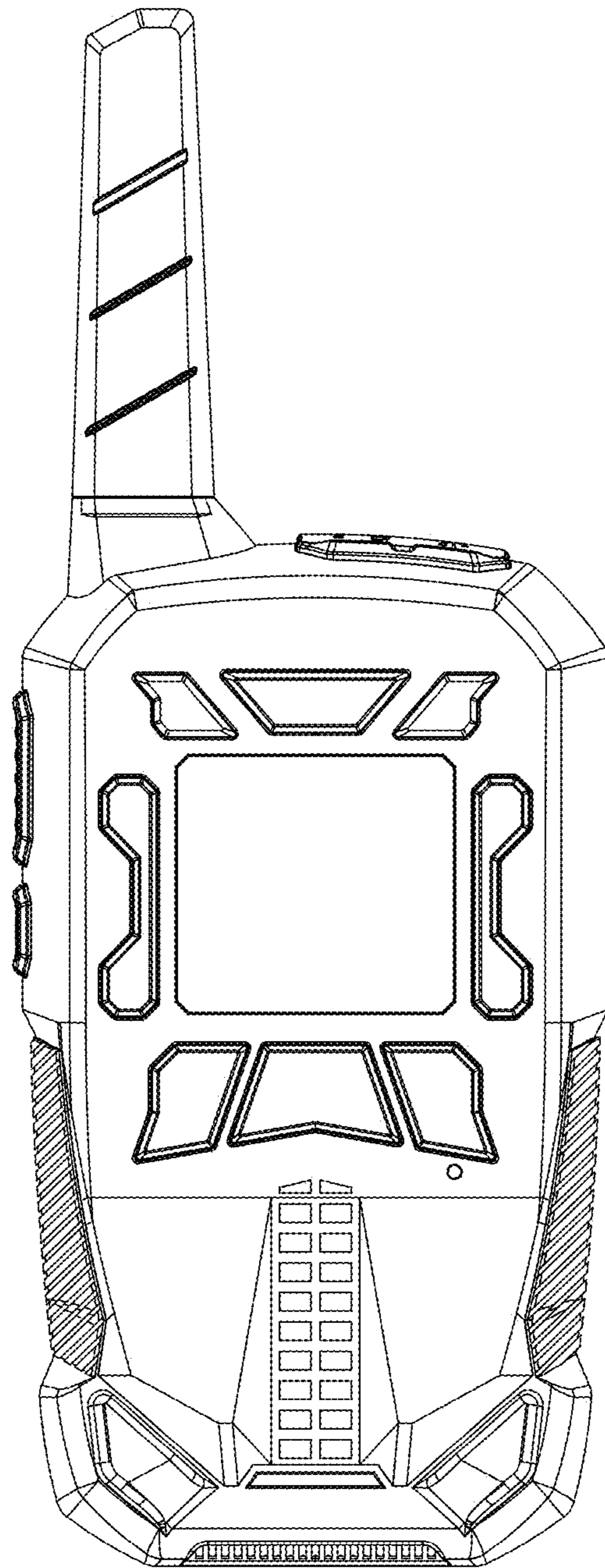


FIG. 2

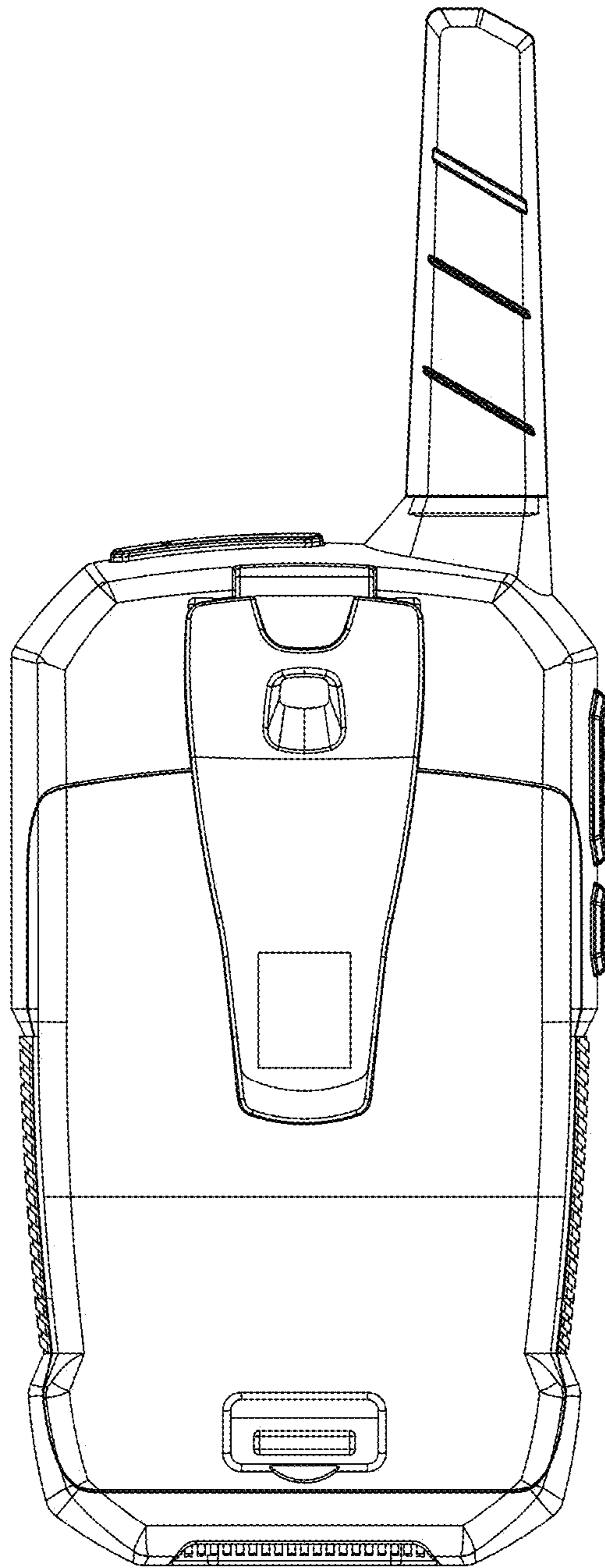


FIG. 3

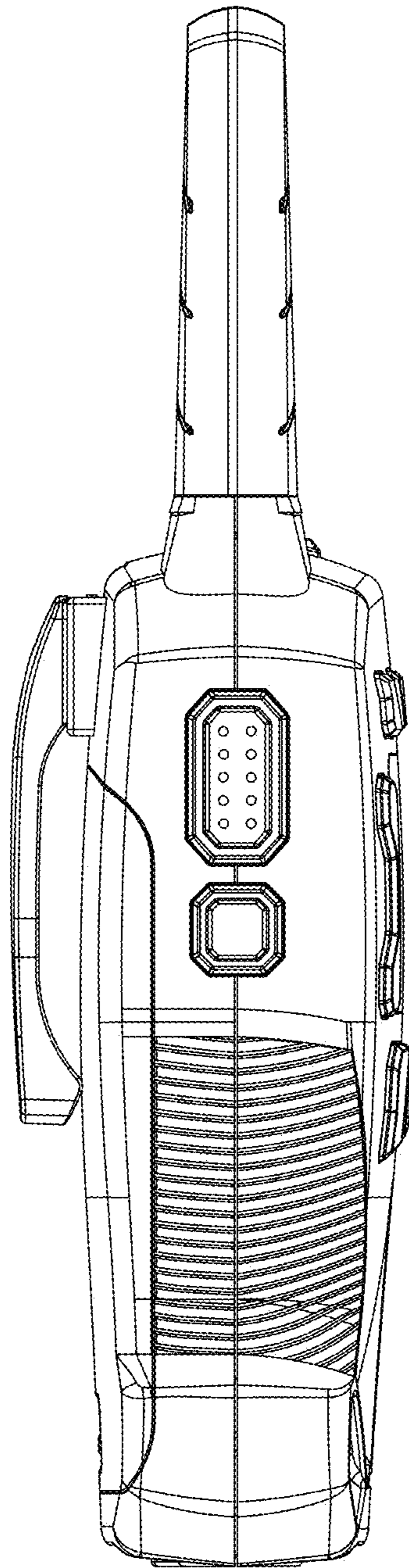


FIG. 4

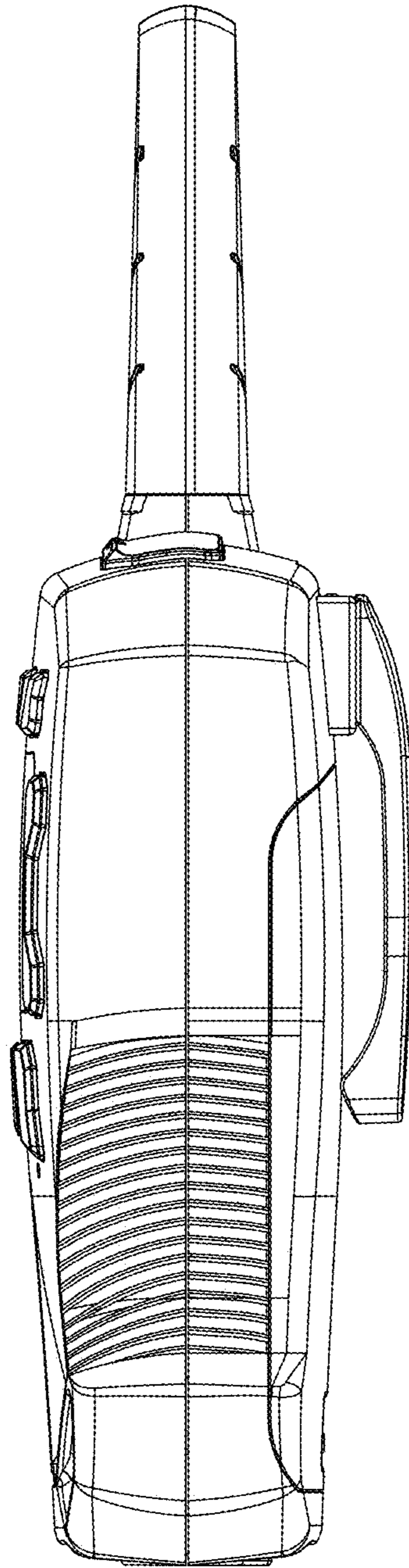


FIG. 5

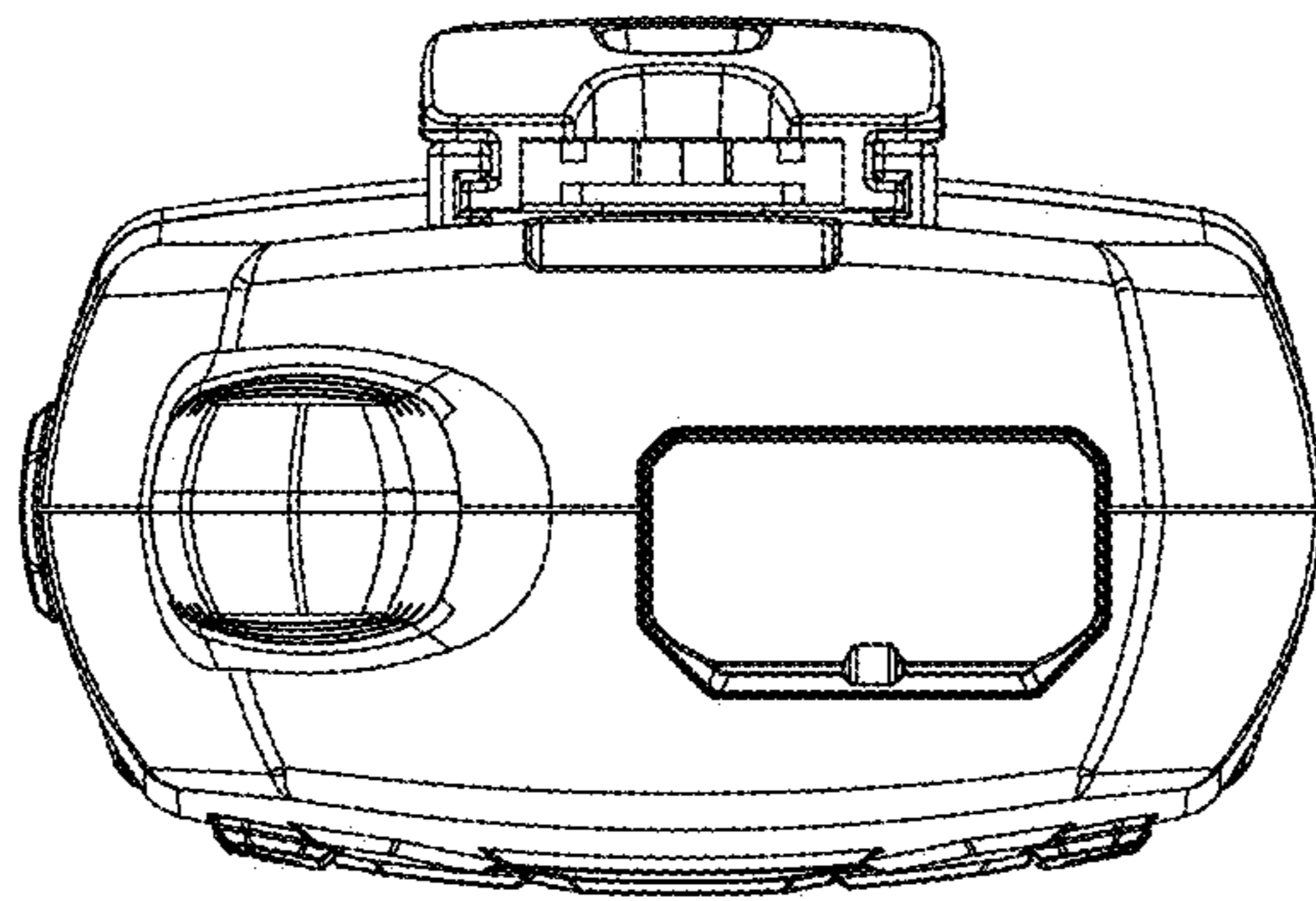


FIG. 6



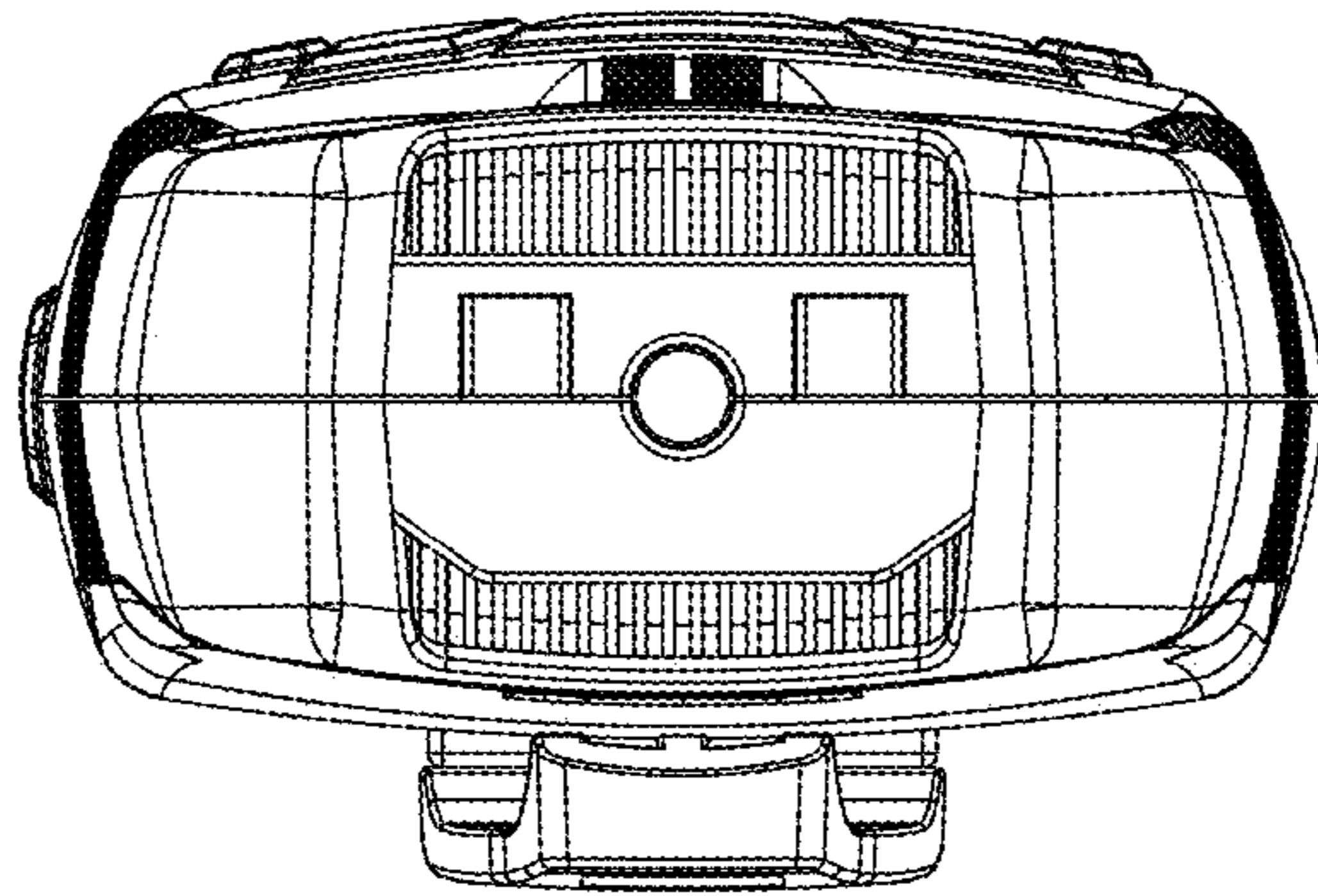


FIG. 7