



US00D924826S

(12) **United States Design Patent**
Tschopp

(10) **Patent No.:** **US D924,826 S**

(45) **Date of Patent:** **** *Jul. 13, 2021**

(54) **COMMUNICATION DEVICE**

(71) Applicant: **Black & Decker Inc.**, New Britain, CT (US)

(72) Inventor: **Tylan A. Tschopp**, Baltimore, MD (US)

(73) Assignee: **BLACK & DECKER INC.**, New Britain, CT (US)

(*) Notice: This patent is subject to a terminal disclaimer.

(**) Term: **15 Years**

(21) Appl. No.: **29/659,752**

(22) Filed: **Aug. 11, 2018**

(51) **LOC (13) Cl.** **14-03**

(52) **U.S. Cl.**
USPC **D14/137**

(58) **Field of Classification Search**
USPC D14/137, 138 AA, 147, 148, 218, 155, D14/159, 142, 225, 226, 191, 188, 192, D14/194-198; D21/517; D10/104.1, D10/104.2, 106.1, 65; D13/168; D30/199

CPC H04B 1/3833; H04B 1/3827; H04B 2001/3861; H04M 1/0202; H04M 1/03; H04M 1/035; G08B 21/0202

See application file for complete search history.

(56) **References Cited**

U.S. PATENT DOCUMENTS

D395,882 S *	7/1998	Oross	D14/137
D412,501 S *	8/1999	Tyneski	D14/137
D475,941 S *	6/2003	Williams	D10/104.1
D486,806 S *	2/2004	Takayama	D14/137
D514,527 S *	2/2006	DiPasquale	D13/168
D564,998 S *	3/2008	Tran	D14/137
D576,128 S *	9/2008	Tran	D14/137

D607,847 S *	1/2010	Elliott	D13/168
D677,230 S *	3/2013	Ooi	D14/137
D700,148 S *	2/2014	Paul	D13/168

(Continued)

FOREIGN PATENT DOCUMENTS

CN	303159693	*	4/2015
EM	0080009179-0001	*	7/2020
JP	D1619248	*	12/2018

OTHER PUBLICATIONS

Dewalt Heavy Duty Walkie-Talkies, by Rob Robillard, posted by Tool Box Buzz, Posted Nov. 9, 2018, [online], [site visited Sep. 20, 2020]. Internet URL: <https://www.toolboxbuzz.com/safety-workwear/work-support/dewalt-heavy-duty-walkie-talkies/> (Year: 2018).*

(Continued)

Primary Examiner — Jeffrey D Asch

(74) *Attorney, Agent, or Firm* — Adan Ayala

(57) **CLAIM**

The ornamental design for a communication device, as shown and described.

DESCRIPTION

FIG. 1 a front perspective view of a communication device according to the invention.

FIG. 2 is a front view of the communication device of FIG. 1.

FIG. 3 is a rear view of the communication device of FIG. 1.

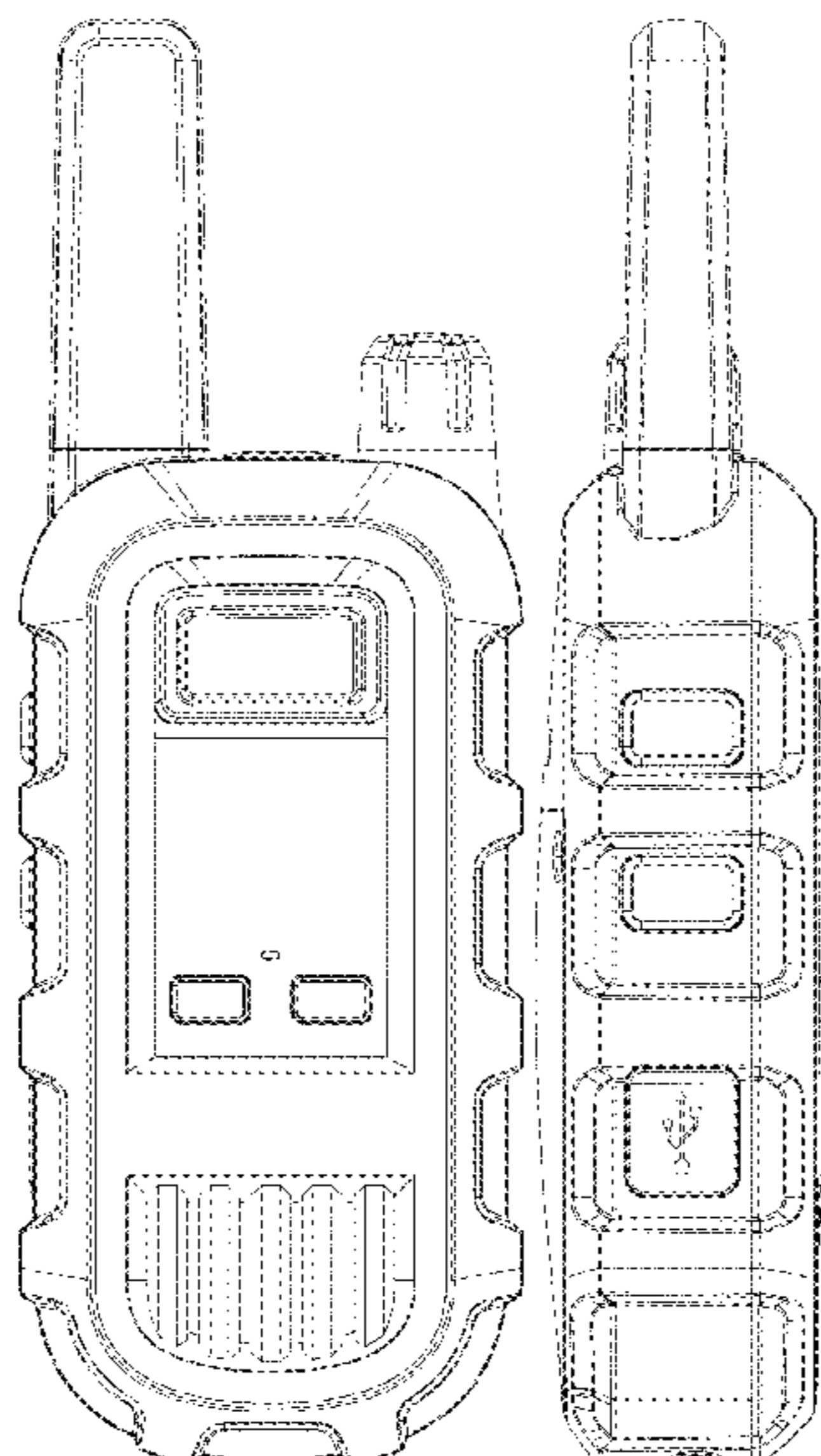
FIG. 4 is a left side view of the communication device of FIG. 1.

FIG. 5 is a right side view of the communication device of FIG. 1.

FIG. 6 is a top plan view of the communication device of FIG. 1; and,

FIG. 7 is a bottom plan view of the communication device of FIG. 1.

1 Claim, 7 Drawing Sheets



(56)

References Cited

U.S. PATENT DOCUMENTS

D700,158 S * 2/2014 Kang D14/137
D719,708 S * 12/2014 Ye D30/199
D721,861 S * 1/2015 Guo D30/199
D737,004 S * 8/2015 Russell D30/199
D744,457 S * 12/2015 Vuorio D14/226
D794,609 S * 8/2017 Meyer D14/218
D795,214 S * 8/2017 Tschopp D14/138 G
D805,701 S * 12/2017 Li D30/199
D813,473 S * 3/2018 Ni D30/199
D815,372 S * 4/2018 Goetzl D30/199
D831,601 S * 10/2018 Ooi D14/137
10,129,711 B1 * 11/2018 Saadoun H04L 65/4061
D863,242 S * 10/2019 Gordon D14/137
D878,315 S * 3/2020 Zhou D14/137
D879,390 S * 3/2020 Cai D30/199
D883,829 S * 5/2020 Nytko D10/104.1
D884,995 S * 5/2020 Ni D30/199
D900,048 S * 10/2020 Huang D14/137
2019/0337132 A1 * 11/2019 Curtis B25C 1/188

OTHER PUBLICATIONS

Motorola Talkabout T402 Rechargeable Two-way Radios (2-pack),
posted on Amazon.com, first available Jun. 27, 2016, [online], [site
visited Sep. 20, 2020]. Internet URL: [https://www.amazon.com/
Motorola-Talkabout-T402-Rechargeable-Two-Way/dp/
B01D6OAH6I](https://www.amazon.com/Motorola-Talkabout-T402-Rechargeable-Two-Way/dp/B01D6OAH6I) (Year: 2016).*

* cited by examiner

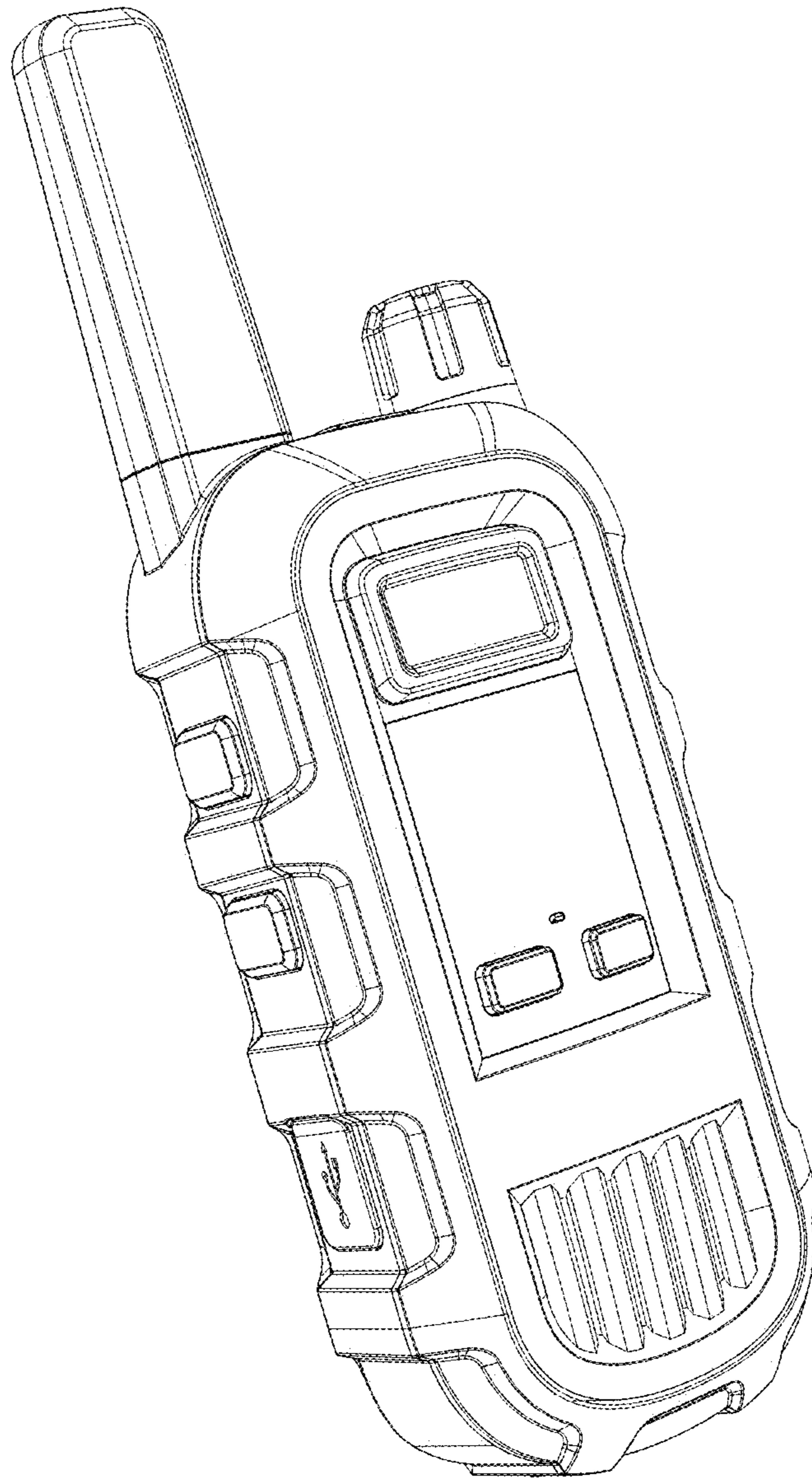


FIG. 1

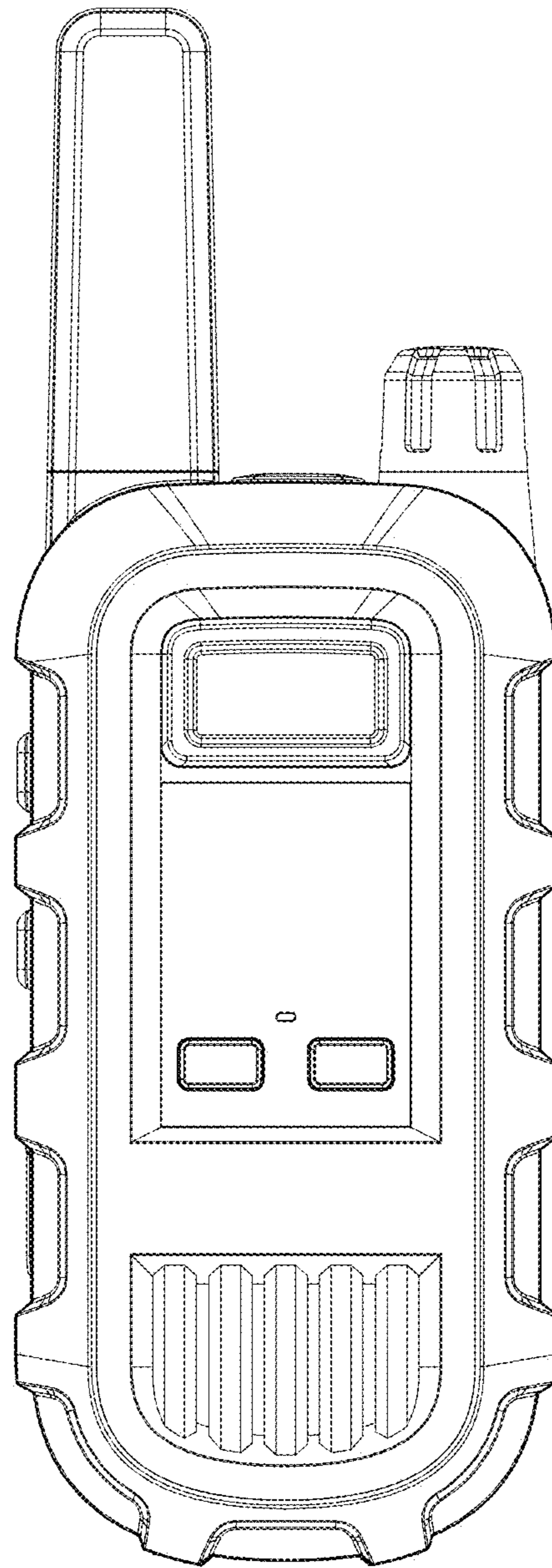


FIG. 2

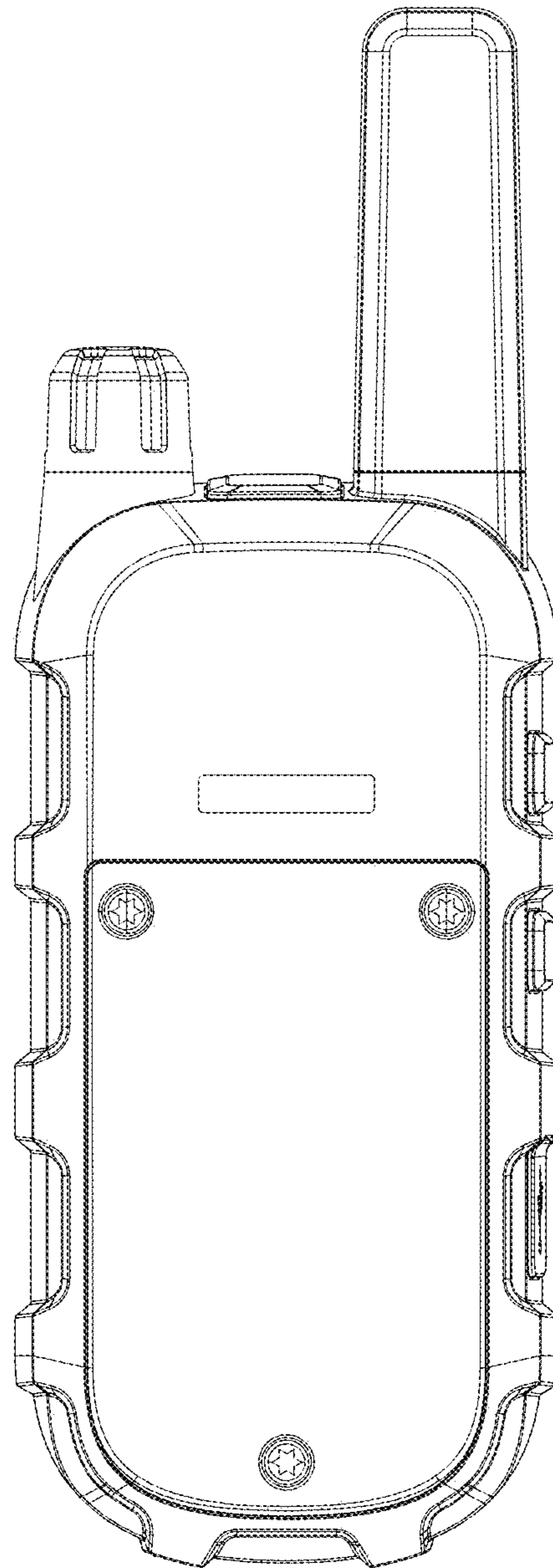


FIG. 3

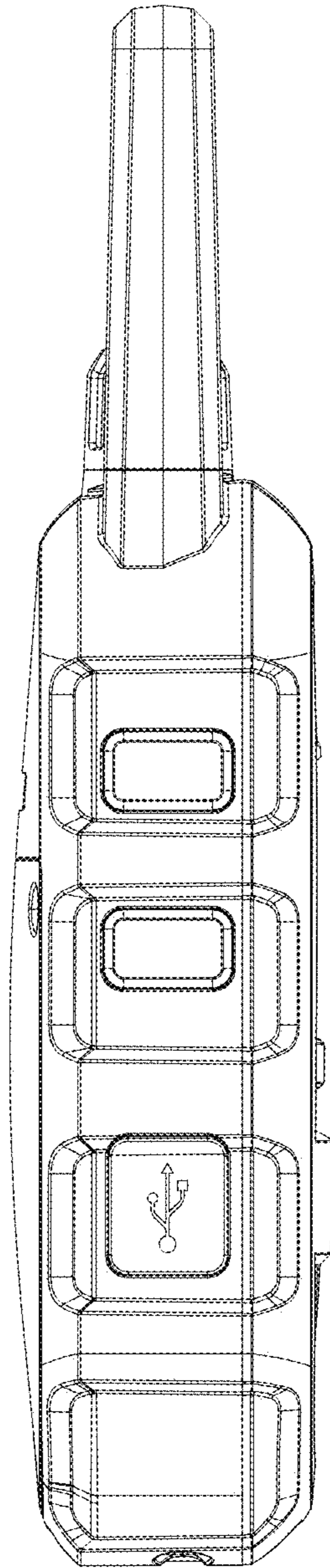


FIG. 4

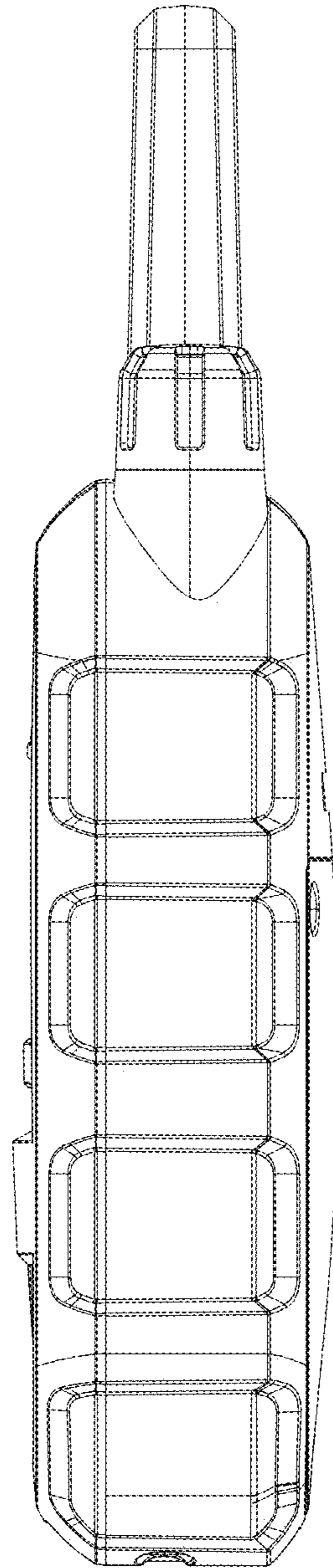


FIG. 5

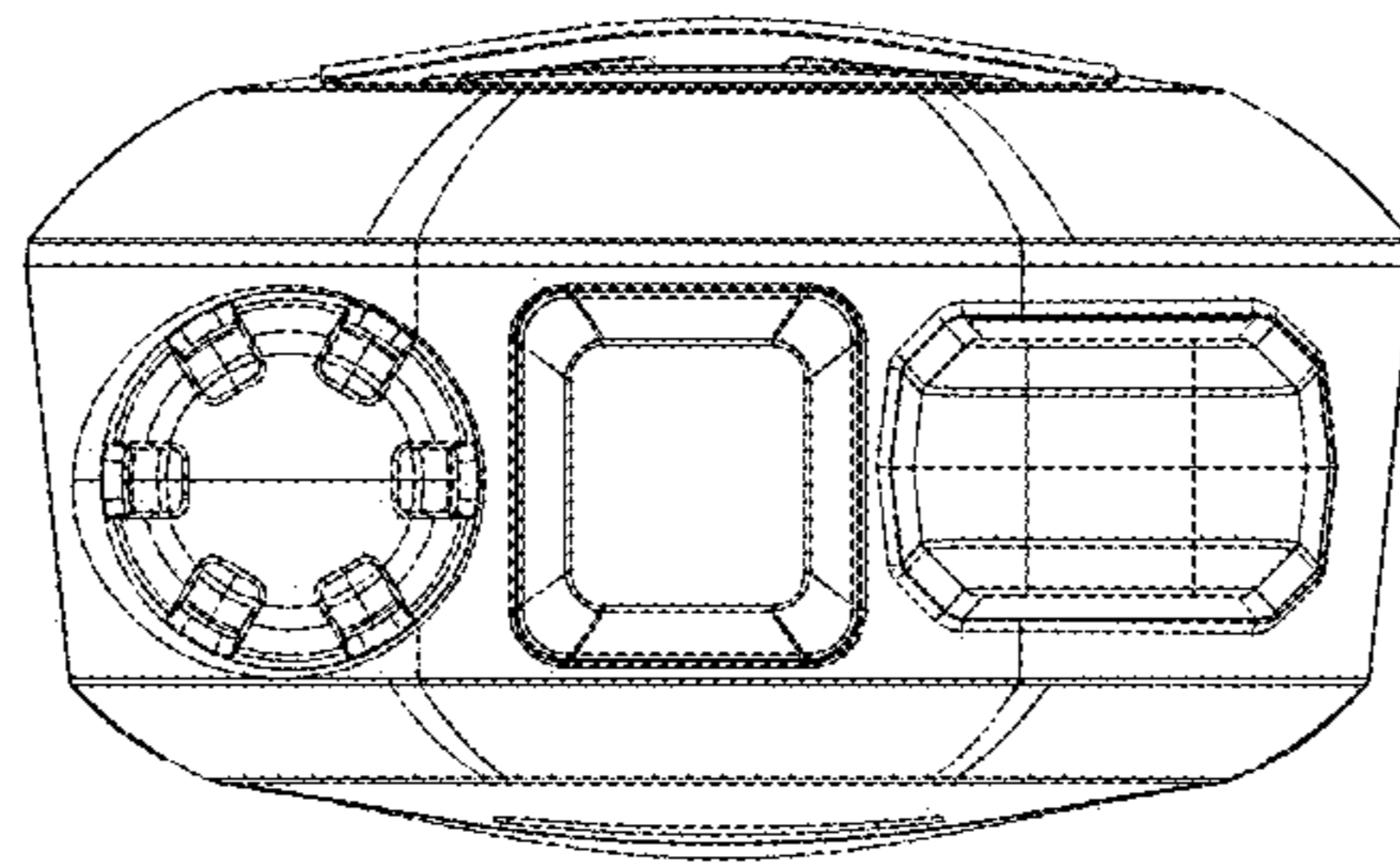


FIG. 6

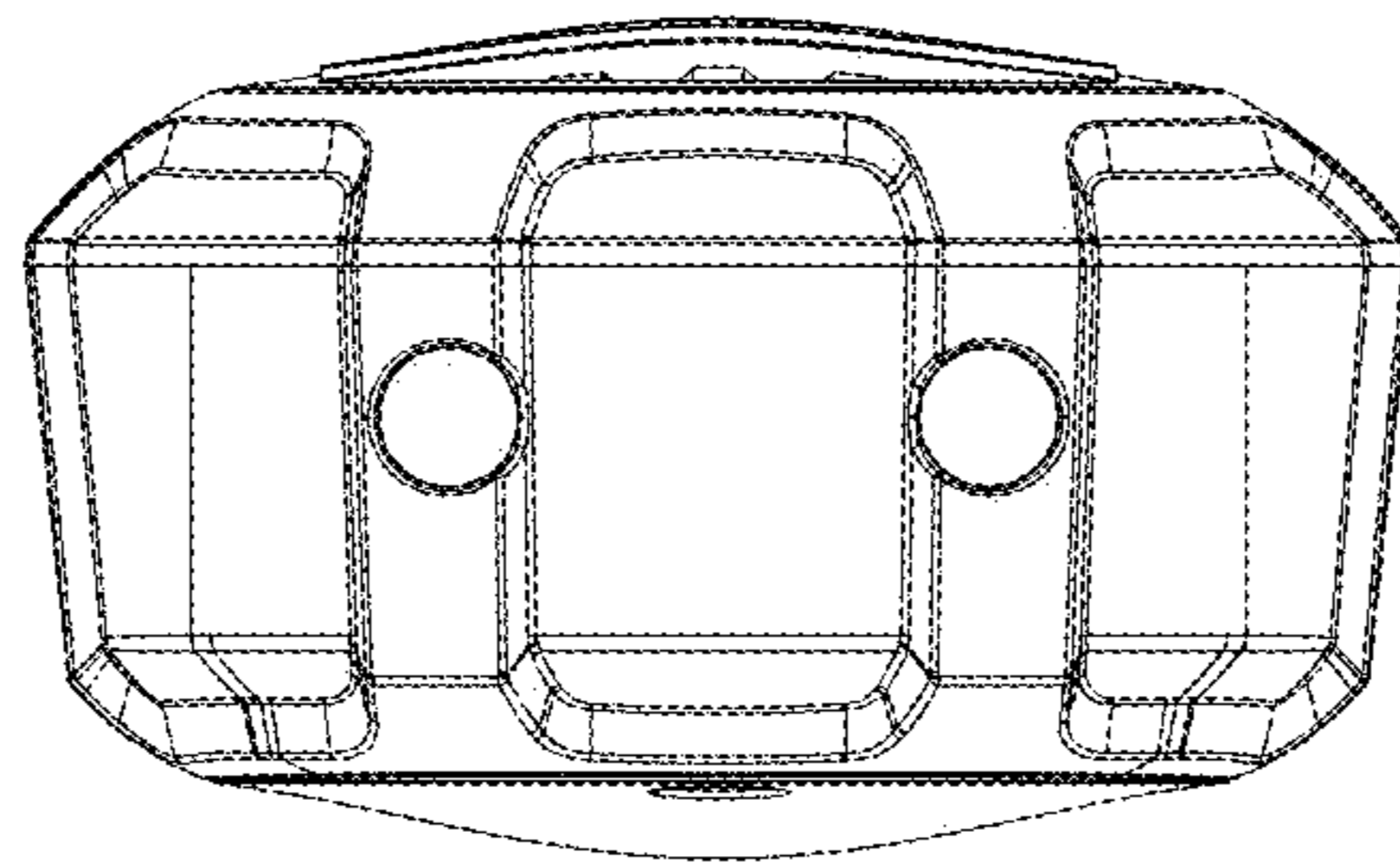


FIG. 7