



US00D924825S

(12) **United States Design Patent** (10) **Patent No.:** **US D924,825 S**
Shono et al. (45) **Date of Patent:** **** Jul. 13, 2021**

(54) **CHAMBER INLET**
(71) Applicant: **Applied Materials, Inc.**, Santa Clara, CA (US)
(72) Inventors: **Eric Kihara Shono**, San Mateo, CA (US); **Vishwas Kumar Pandey**, Madhya Pradesh (IN); **Christopher S. Olsen**, Fremont, CA (US); **Hansel Lo**, San Jose, CA (US); **Agus Sofian Tjandra**, San Jose, CA (US); **Taewan Kim**, San Jose, CA (US); **Tobin Kaufman-Osborn**, Sunnyvale, CA (US)
(73) Assignee: **Applied Materials, Inc.**, Santa Clara, CA (US)

3,712,271 A * 1/1973 Greathouse A61N 5/06
119/770
4,158,362 A * 6/1979 Durrett A61F 5/4405
604/251
5,110,672 A * 5/1992 Zehle D21F 7/083
139/383 AA
5,568,006 A * 10/1996 Luff H03H 9/1021
310/340
5,899,675 A * 5/1999 Van Heumen F04B 17/042
417/482
6,450,116 B1 9/2002 Noble et al.
D707,484 S * 6/2014 Fee D7/300.2
D715,083 S * 10/2014 Miracle D7/300.2
9,217,201 B2 * 12/2015 Rogers C23C 16/52
D831,397 S * 10/2018 Diorio D7/300.2
D853,165 S * 7/2019 Nordwall D7/300.2
(Continued)

(**) Term: **15 Years**
(21) Appl. No.: **29/634,785**

(22) Filed: **Jan. 24, 2018**
(51) **LOC (13) Cl.** **13-99**
(52) **U.S. Cl.**
USPC **D13/199**
(58) **Field of Classification Search**
USPC D13/118, 199, 184; D9/300.2; D25/31, D25/117
CPC C23C 16/45587; A47G 21/18; B65D 1/165
See application file for complete search history.

(56) **References Cited**
U.S. PATENT DOCUMENTS
590,374 A * 9/1897 Osburn H02G 3/0418
174/68.3
1,223,933 A * 4/1917 Carr A47G 21/18
138/177
2,519,664 A * 8/1950 Klein E04B 2/16
52/592.3
2,907,171 A * 10/1959 Lysholm F23R 3/10
60/737

OTHER PUBLICATIONS

“Air Engine Assemblies, Formula SAE”. Found online Mar. 2, 2020 at formlabs.com. Reference dated Jul. 29, 2014. Retrieved from <https://formlabs.com/blog/functional-assemblies-and-formula-sae/>. (Year: 2014).*

(Continued)

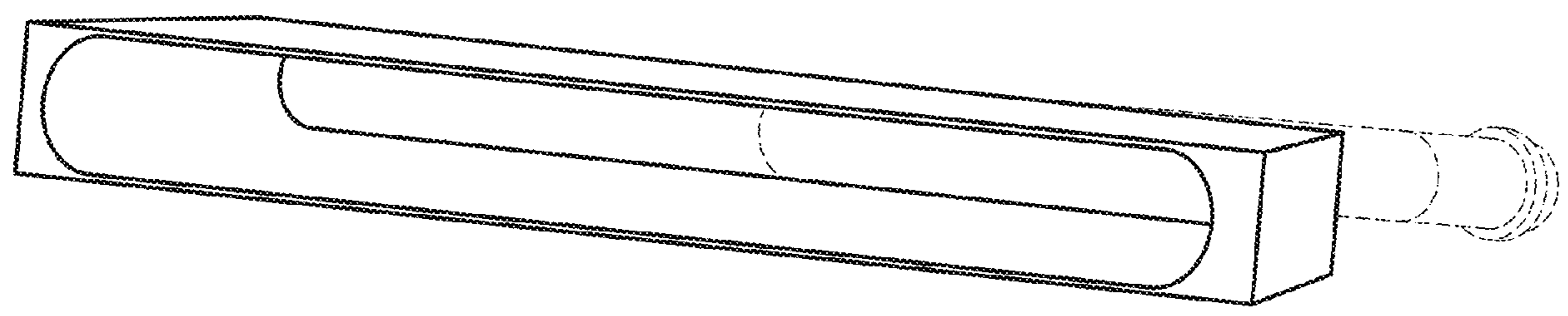
Primary Examiner — Catherine S Posthauer
Assistant Examiner — Amanda Christensen
(74) *Attorney, Agent, or Firm* — Patterson + Sheridan LLP

(57) **CLAIM**
The ornamental design for a chamber inlet, as shown and described.

DESCRIPTION

FIG. 1 is a top plan view of a chamber inlet showing our new design; and,
FIG. 2 is a top, right side perspective view of the chamber inlet of FIG. 1, shown enlarged for clarity of disclosure. The broken lines depict portions of the chamber inlet that form no part of the claimed design.

1 Claim, 1 Drawing Sheet



(56)

References Cited

U.S. PATENT DOCUMENTS

2009/0163042 A1* 6/2009 Tseng H01L 21/67017
438/795
2010/0208000 A1* 8/2010 Silverbrook B41J 2/14314
347/53
2011/0247557 A1* 10/2011 Wenk B29C 37/0089
118/715
2013/0040444 A1 2/2013 Rogers et al.
2013/0109162 A1 5/2013 Rogers et al.
2014/0216585 A1* 8/2014 Tjandra H01L 21/67017
137/896
2016/0099167 A1* 4/2016 Kim H01L 21/02274
257/522
2018/0223426 A1* 8/2018 Shono C23C 16/45502
2019/0228942 A1* 7/2019 Shono H01J 37/20
2019/0295822 A1* 9/2019 Olsen H01J 37/32357

OTHER PUBLICATIONS

“Materials and Technologies”. Found online Mar. 2, 2020 at link.springer.com. Reference dated 2016. Retrieved from <https://formlabs.com/blog/functional-assemblies-and-formula-sae/> (Year: 2016).*

“Pool boiling enhancement through a guidance structure mounted above heating surface”. Found online Mar. 2, 2020 at sciencedirect.com. Reference dated Aug. 2019. Retrieved from <https://www.sciencedirect.com/science/article/pii/S0017931019315388>. (Year: 2019).*

“Queen’s Formula SAE”. Found online Mar. 2, 2020 at twitter.com. Reference dated Mar. 2, 2016. Retrieved from <https://twitter.com/queensformula/status/70512747774061574>. (Year: 2016).*

“Oval Chrome Closet Rod”. Found online May 11, 2020 at hardwarechronicles.blogspot.com. Reference dated Sep. 10, 2009. Retrieved from <http://hardwarechronicles.blogspot.com/2009/09/whats-in-your-closet.html>. (Year: 2009).*

“Speedi Products Oval Pipe”. Found online Jun. 23, 2020 at homedepot.com. Reference dated Oct. 26, 2015. Retrieved from <https://www.homedepot.com/p/Speedi-Products-3-in-x-10-7-8-in-x-60-in-30-Gauge-8-in-Equivalent-Galvanized-Oval-Pipe-SM-3060GO-08/202907171>. (Year: 2015).*

“Sumex Rectangular Stainless Steel Exhaust Trim”. Found online May 11, 2020 at amazon.co.uk. Reference dated Oct. 6, 2010. Retrieved from https://www.amazon.co.uk/Sumex-Rectangular-Stainless-Steel-Exhaust/dp/B0046304MQ/ref=pd_di_sccai_2/261-4346127-3452837?. (Year: 2010).*

* cited by examiner

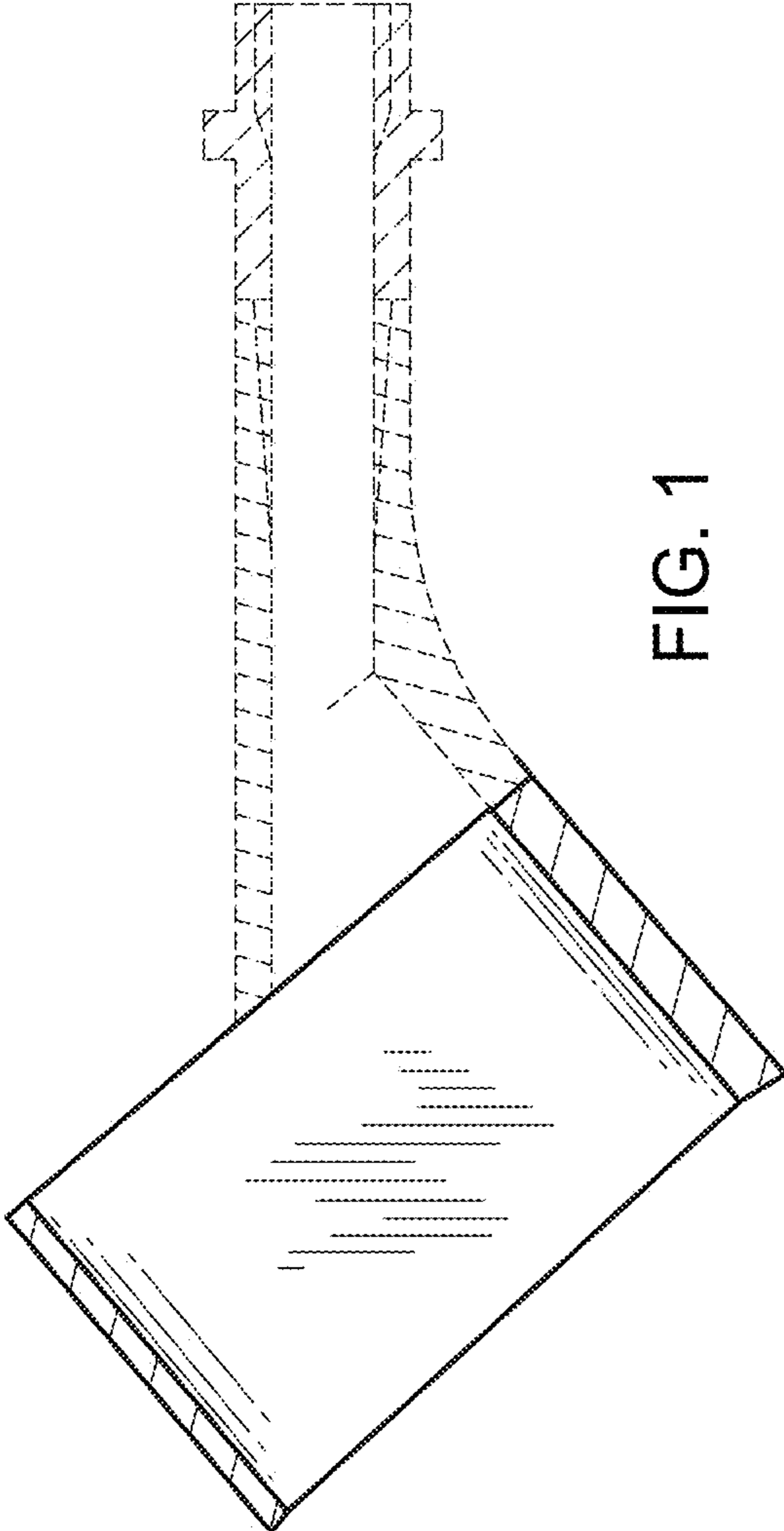


FIG. 1

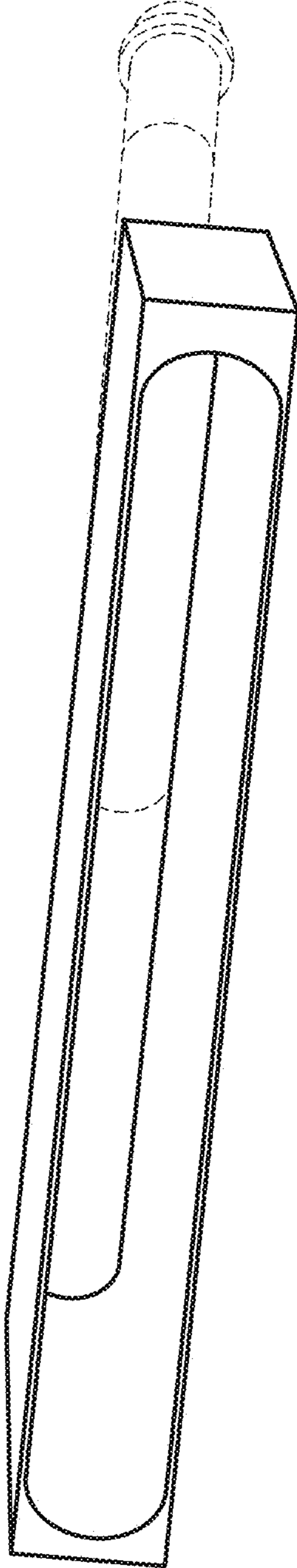


FIG. 2