



US00D924824S

(12) **United States Design Patent** (10) **Patent No.:** **US D924,824 S**  
**Kouzuma et al.** (45) **Date of Patent:** **\*\* Jul. 13, 2021**

(54) **ION SHIELD PLATE BASE FOR SEMICONDUCTOR MANUFACTURING APPARATUS**

2,094,286 A 9/1937 Vogt  
 D191,184 S 8/1961 Scholz  
 3,778,609 A 12/1973 Liberman  
 (Continued)

(71) Applicant: **Hitachi High-Tech Corporation**, Tokyo (JP)

**OTHER PUBLICATIONS**

(72) Inventors: **Yutaka Kouzuma**, Tokyo (JP);  
**Kazuyuki Hirozane**, Tokyo (JP);  
**Michiaki Kobayashi**, Tokyo (JP);  
**Yoshifumi Ogawa**, Tokyo (JP)

U.S. Appl. No. 29/677,753, filed Jan. 23, 2019.  
 (Continued)

(73) Assignee: **Hitachi High-Tech Corporation**, Tokyo (JP)

*Primary Examiner* — Elizabeth J Oswecki  
 (74) *Attorney, Agent, or Firm* — Crowell & Moring LLP

(\*\*) Term: **15 Years**

(57) **CLAIM**

(21) Appl. No.: **29/677,728**

The ornamental design for an ion shield plate base for semiconductor manufacturing apparatus, as shown and described.

(22) Filed: **Jan. 23, 2019**

(30) **Foreign Application Priority Data**

Jul. 24, 2018 (JP) ..... 2018-016189

(51) **LOC (13) Cl.** ..... **13-03**

(52) **U.S. Cl.**  
 USPC ..... **D13/184**; D13/182; D26/138

(58) **Field of Classification Search**  
 USPC ..... D13/182, 184, 199; D26/72, 74, 36;  
 D9/435, 445, 454; D15/126, 144.1;  
 250/496.1, 489, 492.1, 492.2, 492.21,  
 250/506.1, 515.1, 423 R, 424  
 CPC ..... H01R 13/46; H01R 31/02; H01J 19/54;  
 H01J 1/02; H01J 5/00; H01J 5/02; H01J  
 5/50; H01J 27/00; H01L 33/642; H01L  
 33/644; G21F 5/02; G21F 5/00; G21F  
 1/00; C25D 5/02; C25D 17/008; C21K  
 5/10

See application file for complete search history.

(56) **References Cited**

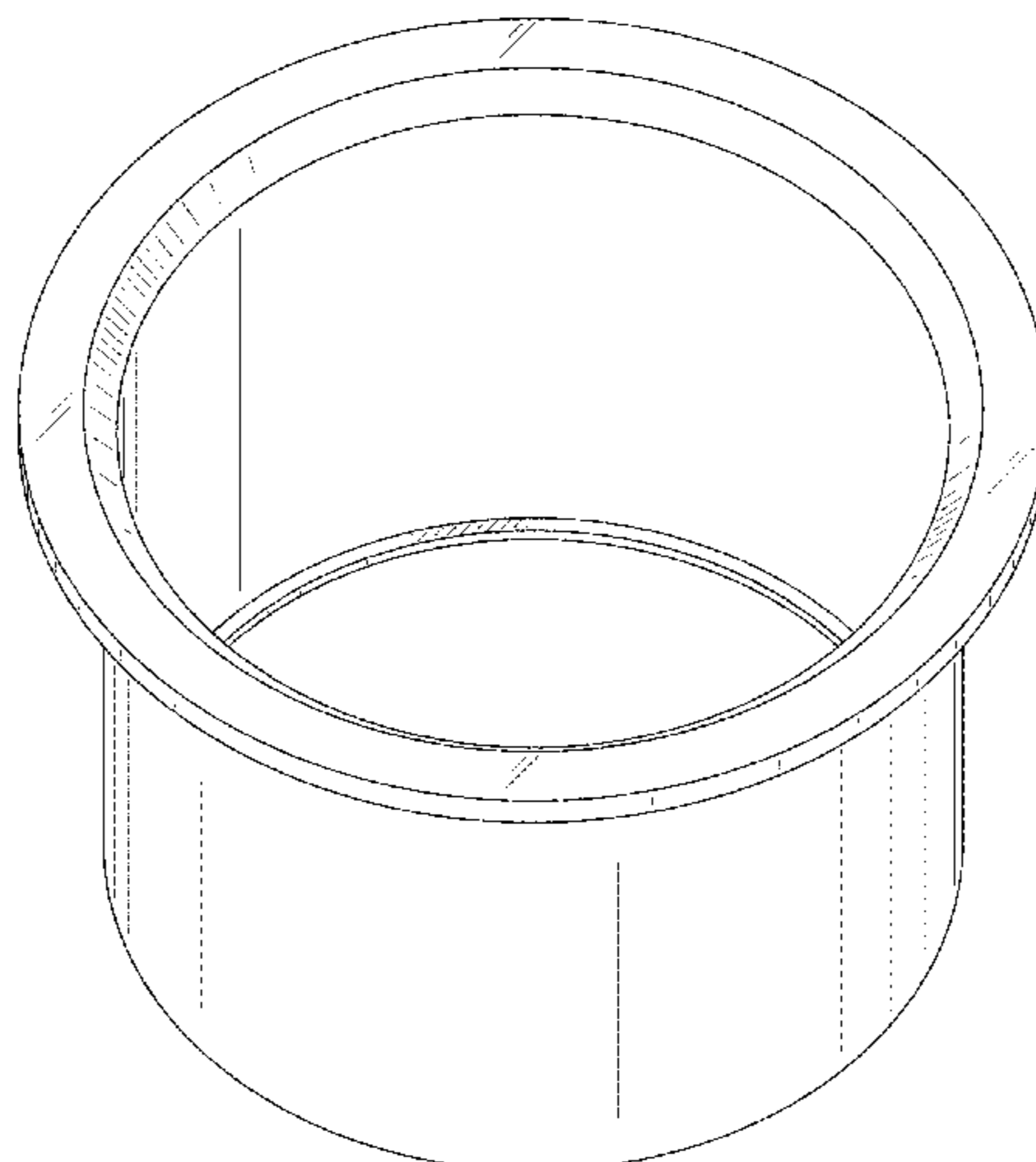
**U.S. PATENT DOCUMENTS**

1,009,027 A 11/1911 Troutman  
 1,168,374 A 1/1916 Barker

**DESCRIPTION**

FIG. 1 is a front, top and right side perspective view of an ion shield plate base for semiconductor manufacturing apparatus, showing our new design;  
 FIG. 2 is a rear, bottom and left side perspective view thereof;  
 FIG. 3 is a front elevational view thereof;  
 FIG. 4 is a rear elevational view thereof;  
 FIG. 5 is a right side elevational view thereof;  
 FIG. 6 is a left side elevational view thereof;  
 FIG. 7 is a top plan view thereof;  
 FIG. 8 is a bottom plan view thereof;  
 FIG. 9 is a cross-sectional view taken along line 9-9 of FIG. 7;  
 FIG. 10 is an enlarged view of the portion shown in box, labeled, "FIG. 10," in FIG. 9; and,  
 FIG. 11 is an enlarged view of the portion shown in box, labeled, "FIG. 11," in FIG. 9.  
 The broken line boxes shown in FIG. 9 define the enlarged portion views shown in FIGS. 10 and 11 and form no part of the claimed design.

**1 Claim, 7 Drawing Sheets**



(56)

References Cited

U.S. PATENT DOCUMENTS

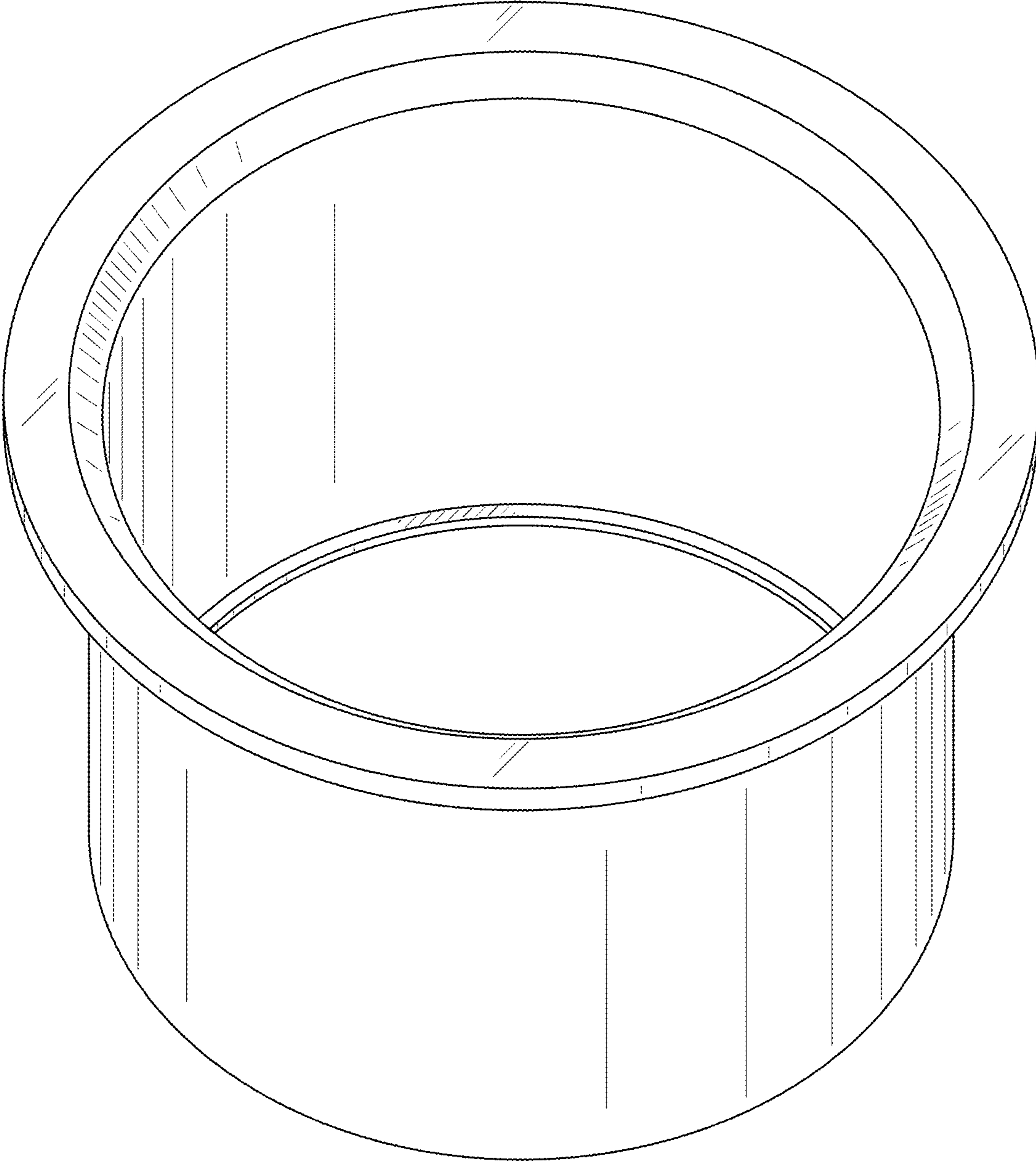
3,915,757 A \* 10/1975 Engel ..... C23C 14/5846  
148/278  
D241,875 S 10/1976 Insalaco  
D263,776 S 4/1982 Ashley  
4,323,433 A \* 4/1982 Loch ..... C25D 17/00  
204/279  
4,655,913 A 4/1987 Boersma  
4,718,975 A \* 1/1988 Bowling ..... H01L 21/67766  
118/50.1  
D299,522 S 1/1989 Chalberg  
4,910,811 A 3/1990 Izzì, Sr.  
D308,419 S 6/1990 Mason  
5,202,008 A \* 4/1993 Talieh ..... B08B 7/0007  
204/192.32  
D402,354 S \* 12/1998 Strong ..... D23/259  
5,895,923 A \* 4/1999 Blake ..... H01J 37/304  
250/492.21  
D419,652 S 1/2000 Hall et al.  
6,099,712 A \* 8/2000 Ritzdorf ..... C25D 17/001  
204/275.1  
D488,251 S \* 4/2004 Benghozi ..... D26/118  
7,066,107 B2 \* 6/2006 Good ..... C23C 14/48  
118/723 R  
D552,308 S 10/2007 Farr  
D560,469 S \* 1/2008 Bartol ..... D8/349  
D563,529 S 3/2008 Labonte  
D577,159 S 9/2008 Hasapoglou  
D629,875 S 12/2010 Sears  
D665,902 S \* 8/2012 Esjunin ..... D23/499  
D670,794 S 11/2012 Antoniello  
8,424,123 B2 \* 4/2013 Svensson ..... E03C 1/22  
4/286  
D687,471 S 8/2013 Fu et al.  
D694,359 S 11/2013 Schoenherr et al.  
D701,181 S 3/2014 Meyer  
D701,249 S 3/2014 Fritsch et al.  
D706,407 S \* 6/2014 Wang ..... D23/385  
D712,443 S 9/2014 Simon  
D723,153 S \* 2/2015 Borkholder ..... 23/411  
D726,367 S 4/2015 Dukat  
D732,644 S 6/2015 Yamagishi et al.  
D746,955 S 1/2016 Corder  
D754,829 S 4/2016 Krombein

D764,205 S 8/2016 Macari et al.  
D779,045 S 2/2017 Johansen  
D787,023 S 5/2017 Ball  
D799,690 S \* 10/2017 Kawamura ..... D23/499  
D808,248 S \* 1/2018 Krombein ..... D8/354  
D809,094 S 1/2018 Naeslund et al.  
D812,519 S 3/2018 Macari et al.  
D816,132 S 4/2018 Nymark  
D830,981 S 10/2018 Jeong et al.  
10,101,015 B2 \* 10/2018 Benghozi ..... F21S 8/026  
D851,224 S 6/2019 Krombein  
D858,192 S 9/2019 Lo  
D860,498 S 9/2019 Engle et al.  
D861,129 S 9/2019 Logar  
D861,155 S \* 9/2019 Badarello ..... 23/411  
D861,447 S 10/2019 Strickland  
D868,947 S 12/2019 Cherng  
D874,617 S 2/2020 Chen  
D874,870 S 2/2020 Parker  
D851,338 S 4/2020 Chen  
D881,338 S 4/2020 Chen  
D884,873 S 5/2020 Bortnick  
D886,957 S 6/2020 Song et al.  
10,692,741 B2 \* 6/2020 Verbaas ..... H01L 21/6719  
D900,760 S \* 11/2020 Kouzuma ..... D13/184  
D901,407 S \* 11/2020 Kouzuma ..... D13/184  
2003/0038252 A1 \* 2/2003 Danciu ..... H01J 37/09  
250/492.21  
2004/0072510 A1 4/2004 Kinoshita et al.  
2004/0093666 A1 5/2004 Zars  
2006/0285310 A1 12/2006 Shyu  
2008/0081546 A1 4/2008 Takinami et al.  
2011/0069501 A1 3/2011 Chou et al.  
2012/0223208 A1 9/2012 Tehensky  
2013/0056142 A1 3/2013 Fiore et al.  
2013/0152298 A1 6/2013 Lyristakis  
2016/0122995 A1 5/2016 Corder

OTHER PUBLICATIONS

U.S. Appl. No. 29/677,764, filed Jan. 23, 2019.  
Notice of Allowance issued in related U.S. Appl. No. 29/677,753,  
dated Jun. 26, 2020 (11 pages).  
Notice of Allowance issued in related U.S. Appl. No. 29/677,764,  
dated Jun. 26, 2020.

\* cited by examiner



**FIG. 1**



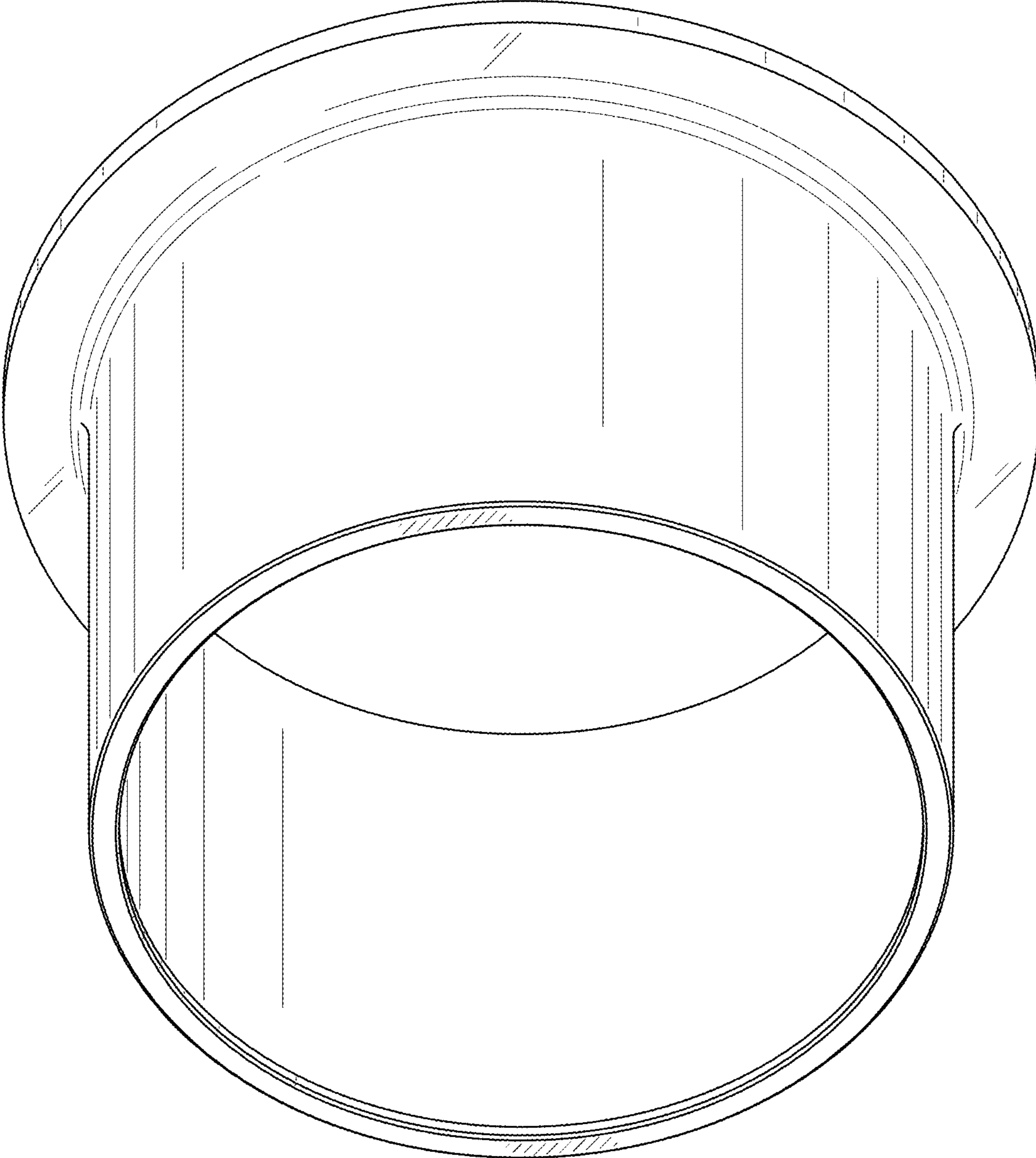
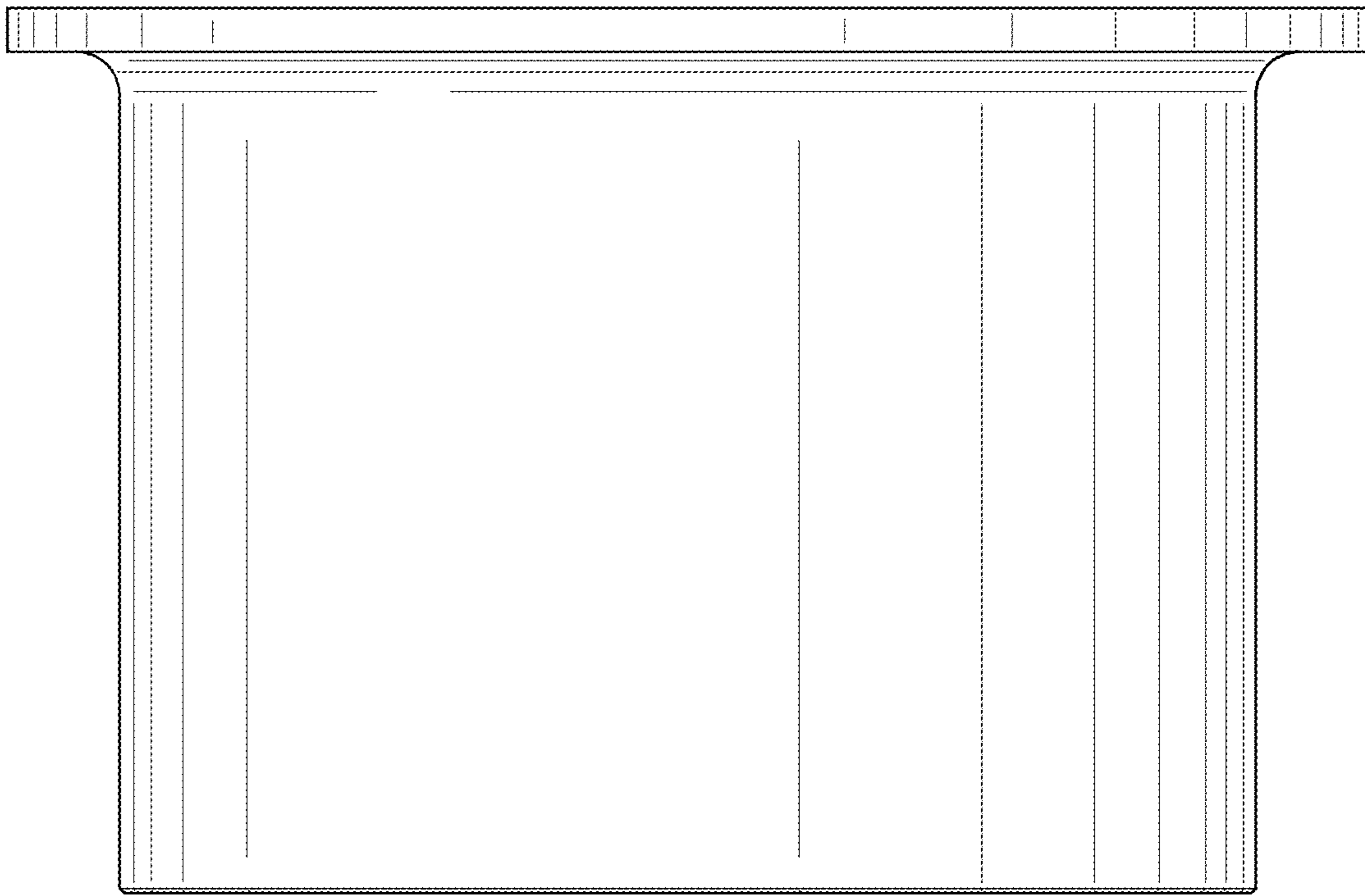
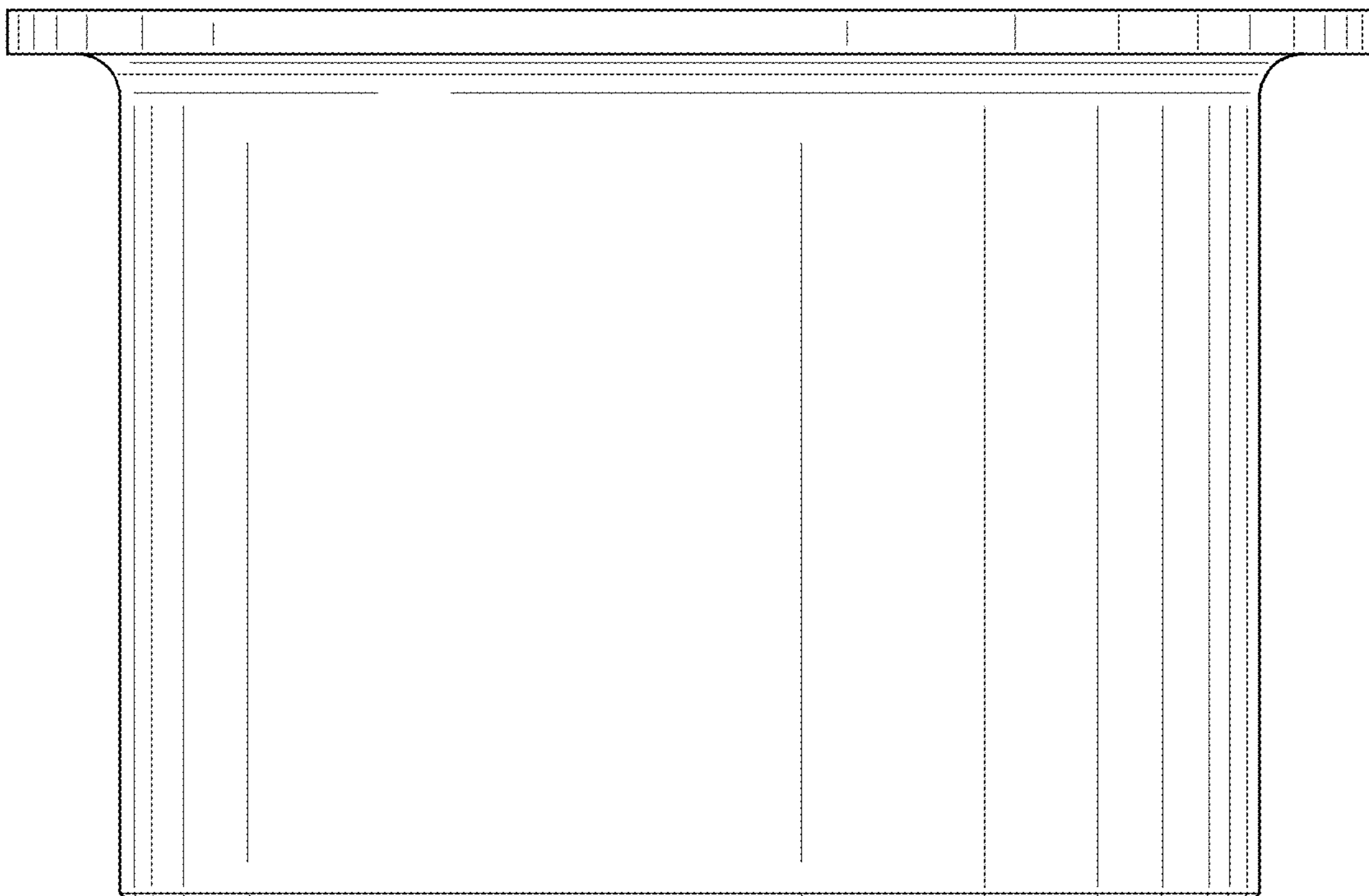


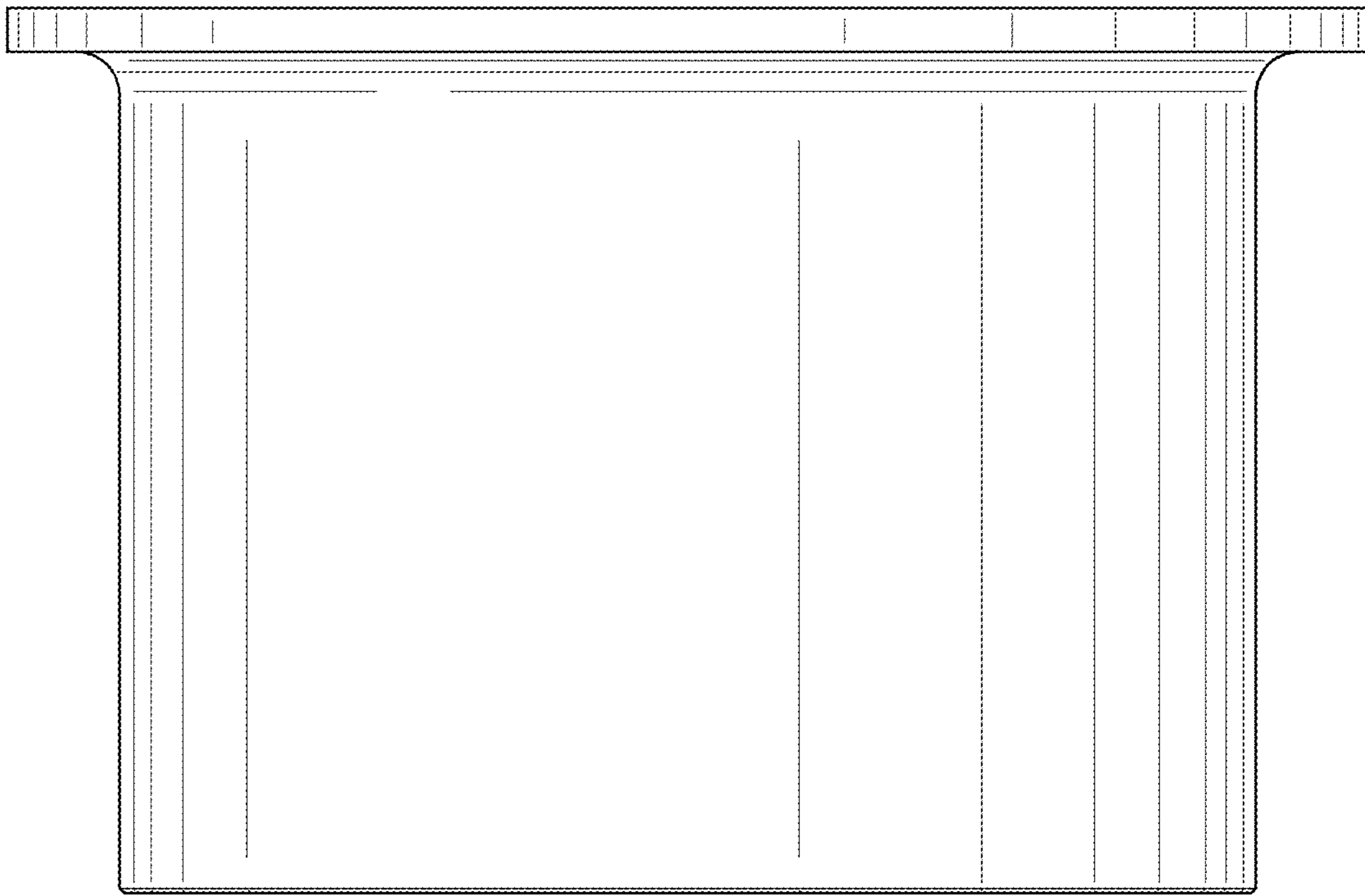
FIG. 2



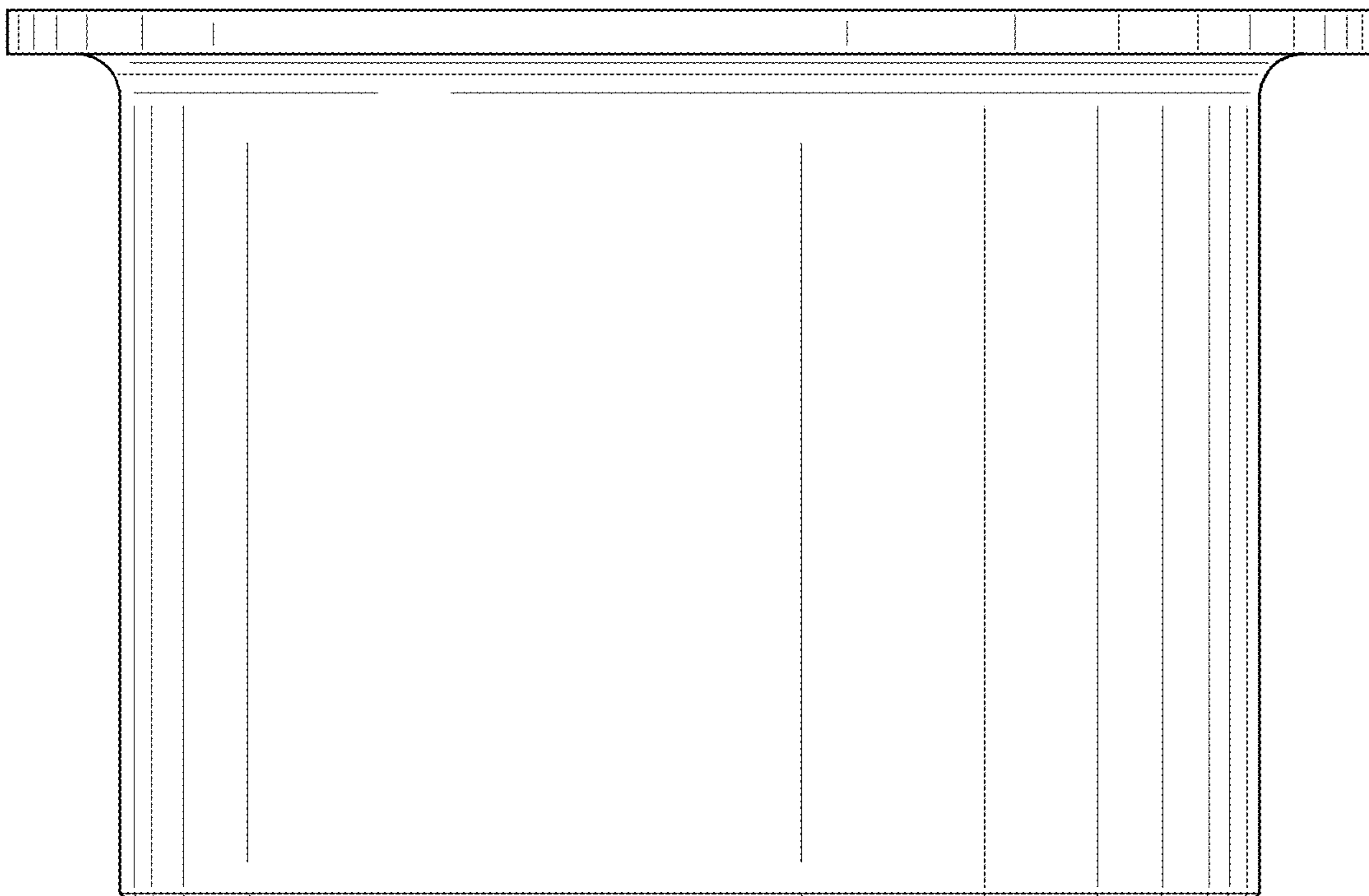
*FIG. 3*



*FIG. 4*



*FIG. 5*



*FIG. 6*

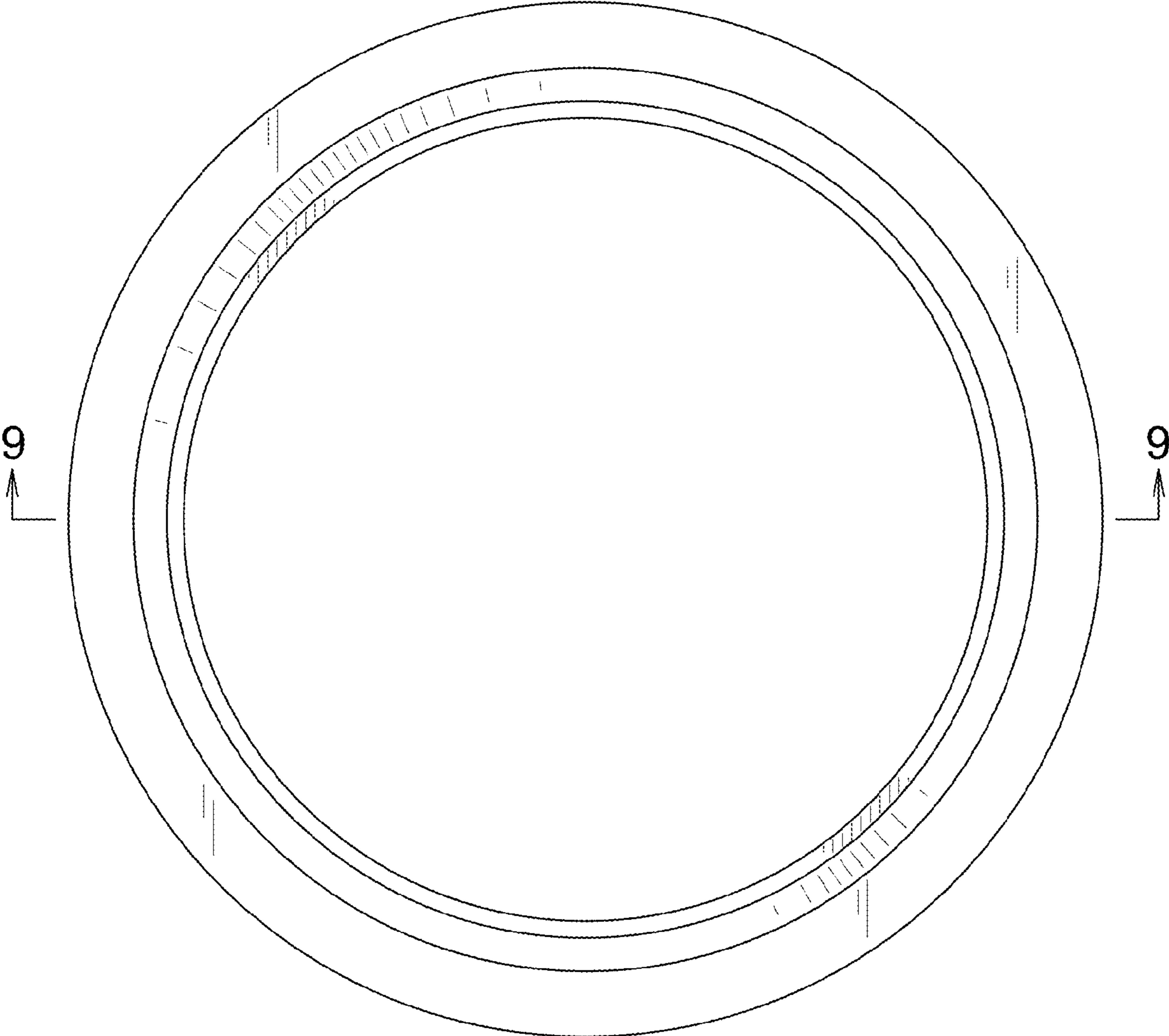
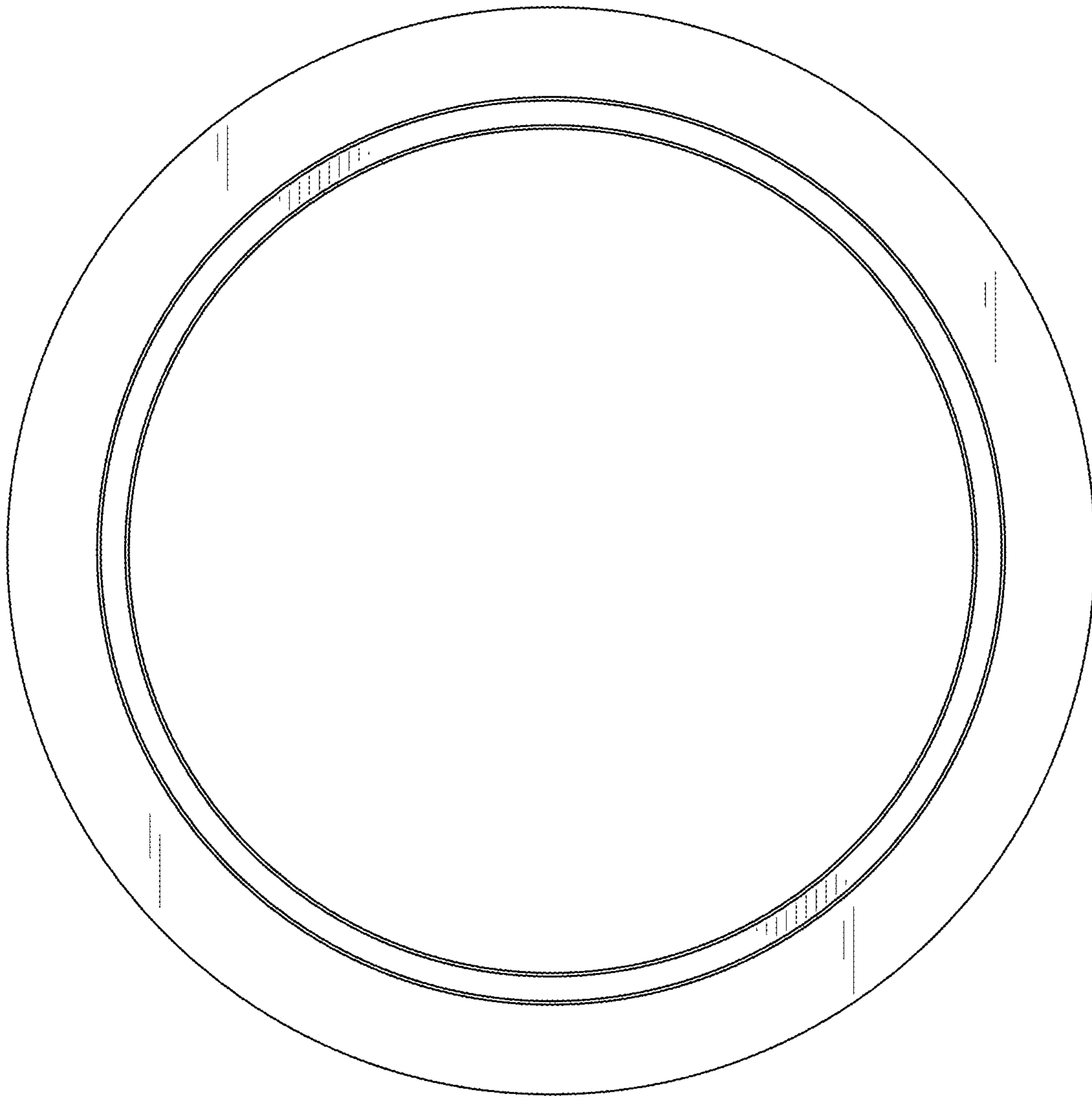


FIG. 7



*FIG. 8*



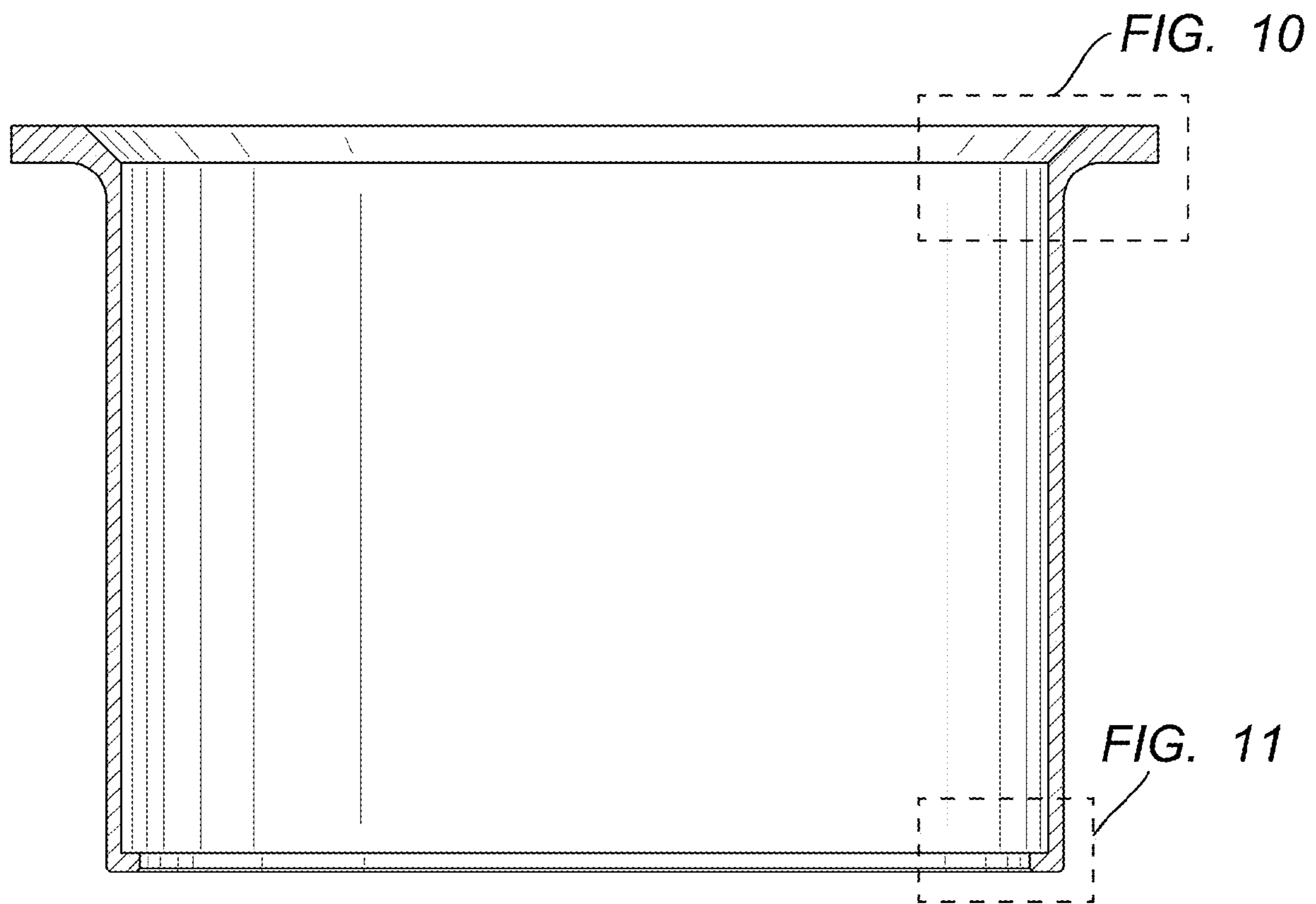


FIG. 9

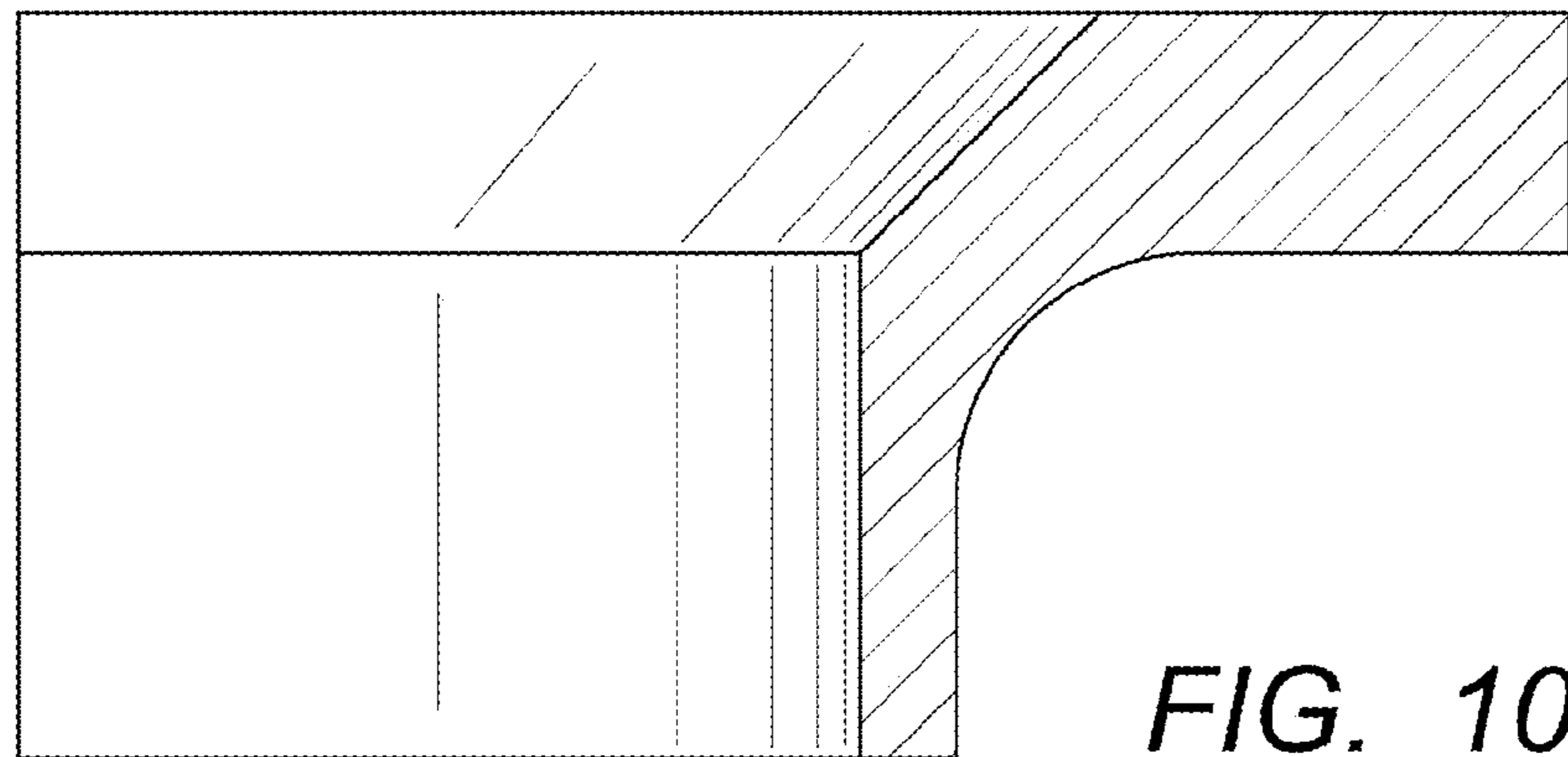


FIG. 10

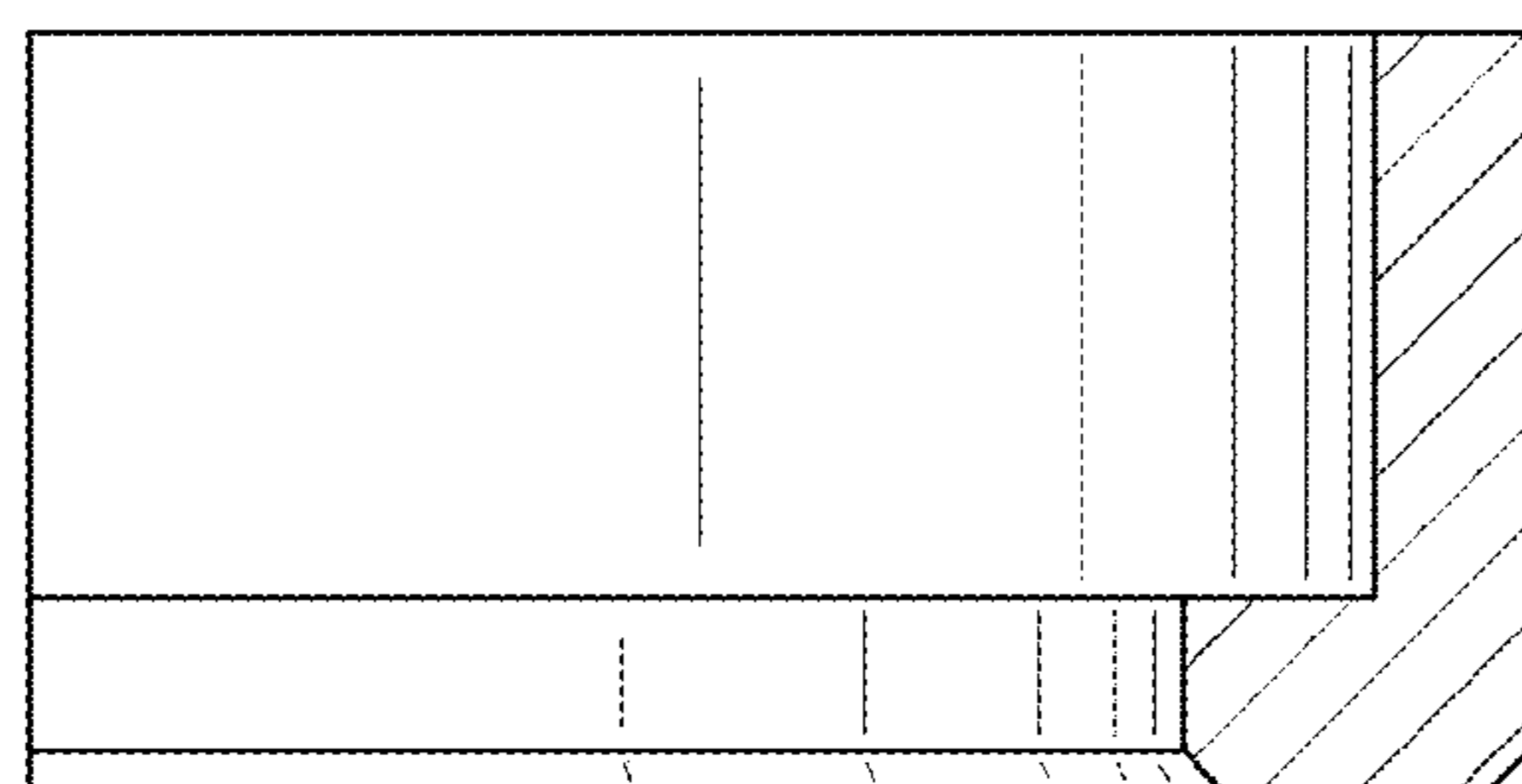


FIG. 11