



US00D924822S

(12) **United States Design Patent** (10) **Patent No.:** **US D924,822 S**
Bruchschmidt et al. (45) **Date of Patent:** **** Jul. 13, 2021**

(54) **PUSH BUTTON**

(56) **References Cited**

(71) Applicant: **Eaton Intelligent Power Limited**,
Dublin (IE)

U.S. PATENT DOCUMENTS

(72) Inventors: **Frank Bruchschmidt**, Dausenau (DE);
Oliver Knörrchen, Cologne (DE); **Nico
Clausnitzer**, Geisig (DE); **Torben
Uphoff**, Niederkassel (DE); **Petra Ries**,
Alfter (DE)

| | | | |
|--------------|---------|------------------|---------|
| D344,930 S * | 3/1994 | Schaeffer | D13/171 |
| D432,997 S * | 10/2000 | Bonn | D13/174 |
| D432,998 S * | 10/2000 | Decosse | D13/174 |
| D437,835 S * | 2/2001 | Decosse | D13/174 |
| D507,543 S * | 7/2005 | Ishii | D13/174 |
| D559,797 S * | 1/2008 | Neveu | D13/174 |
| D596,584 S * | 7/2009 | Bedggood | D13/158 |
| D601,100 S * | 9/2009 | Wahrenberg | D13/171 |
| D700,149 S * | 2/2014 | Carlson | D13/171 |
| D725,612 S * | 3/2015 | Schlegel | D13/174 |

(73) Assignee: **EATON INTELLIGENT POWER
LIMITED**, Dublin (IE)

(Continued)

(**) Term: **15 Years**

Primary Examiner — Nathaniel D. Buckner

(21) Appl. No.: **35/507,915**

(74) *Attorney, Agent, or Firm* — Fitch, Even, Tabin &
Flannery, LLP

(22) Filed: **Jul. 16, 2019**

(57) **CLAIM**

(80) **Hague Agreement Data**

The ornamental design for a push button, as shown and
described.

Int. Filing Date: **Jul. 16, 2019**

Int. Reg. No.: **DM/204124**

Int. Reg. Date: **Jul. 16, 2019**

Int. Reg. Pub. Date: **Nov. 29, 2019**

DESCRIPTION

(30) **Foreign Application Priority Data**

Jan. 18, 2019 (EM) 006064283

(51) **LOC (13) Cl.** **13-03**

(52) **U.S. Cl.**
USPC **D13/174**

(58) **Field of Classification Search**
USPC D13/171, 174, 133, 151, 158, 173, 177,
D13/199; D14/188, 218, 358, 385, 456,
D14/496

CPC H01H 13/503; H01H 13/52; H01H 3/022;
H01H 3/02; H01H 3/50; H01H 3/564;
H01H 3/62; H01H 11/0012; H01H 1/20;
H01H 1/2008

See application file for complete search history.

3. and 7. Push button

3.1 is a top plan view of a push button showing the first
embodiment of our new design;

3.2 is a bottom plan view thereof;

3.3 is a left side elevation view thereof;

3.4 is a right side elevation view thereof;

3.5 is a front elevation view thereof;

3.6 is a rear elevation view thereof, and

3.7 is a top right perspective view thereof.

7.1 is a top plan view of a push button showing a second
embodiment of our new design;

7.2 is a bottom plan view thereof;

7.3 is a left side elevation view thereof;

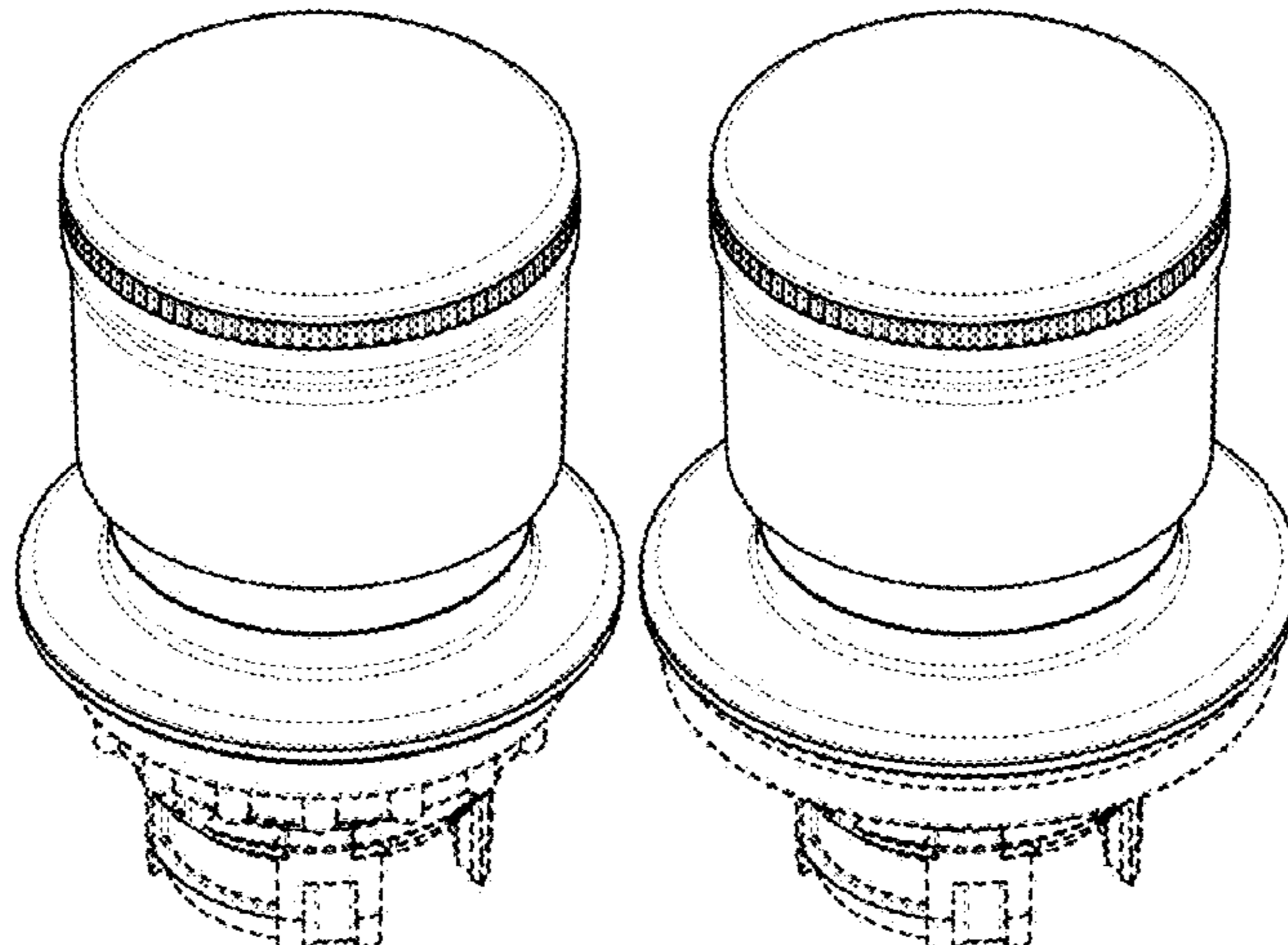
7.4 is a right side elevation view thereof;

7.5 is a front elevation view thereof;

7.6 is a rear elevation view thereof, and

7.7 is a top right perspective view thereof.

(Continued)



The broken lines shown in the disclosure depict portions of the push button that form no part of the claimed design.

1 Claim, 14 Drawing Sheets

(56)

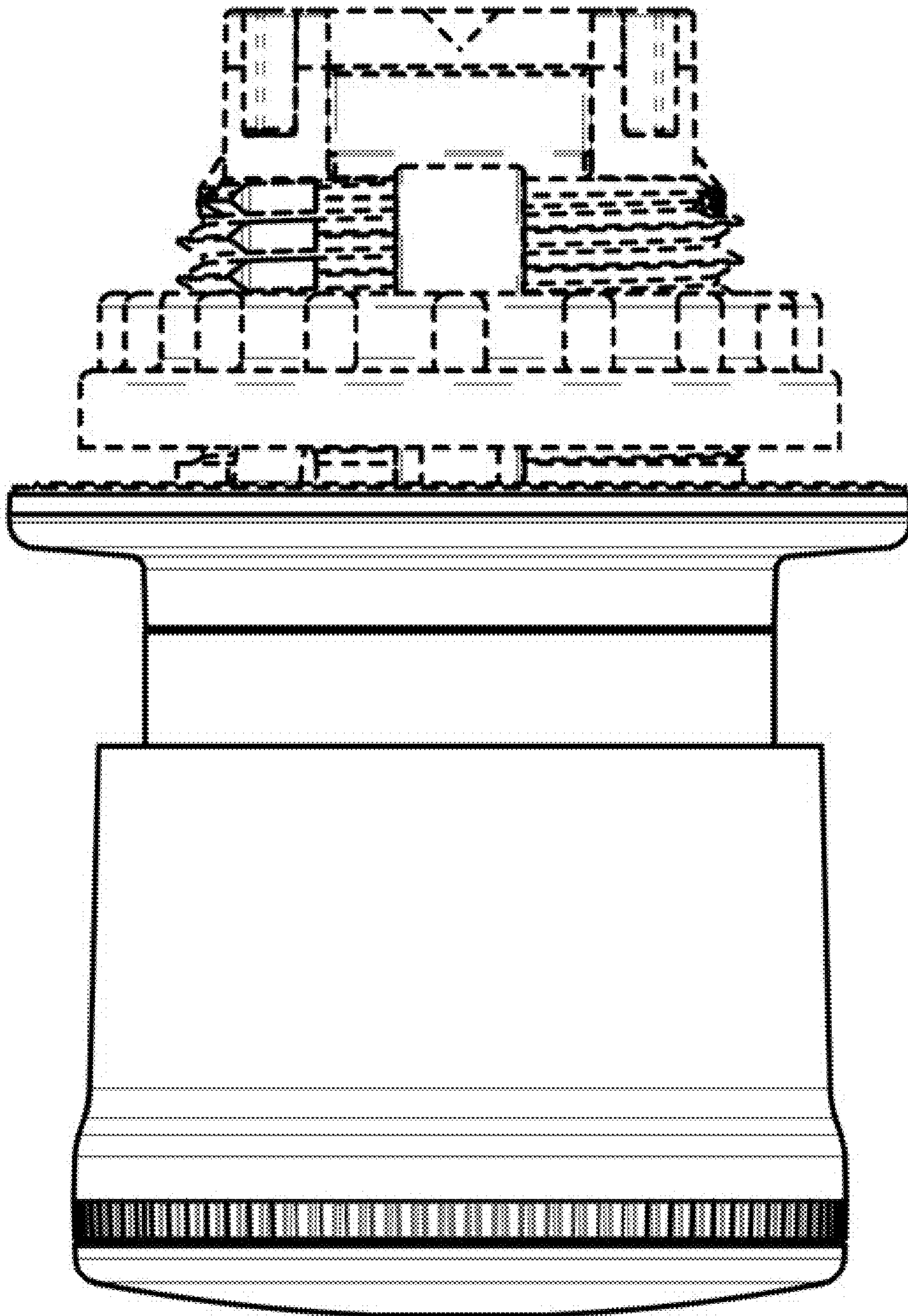
References Cited

U.S. PATENT DOCUMENTS

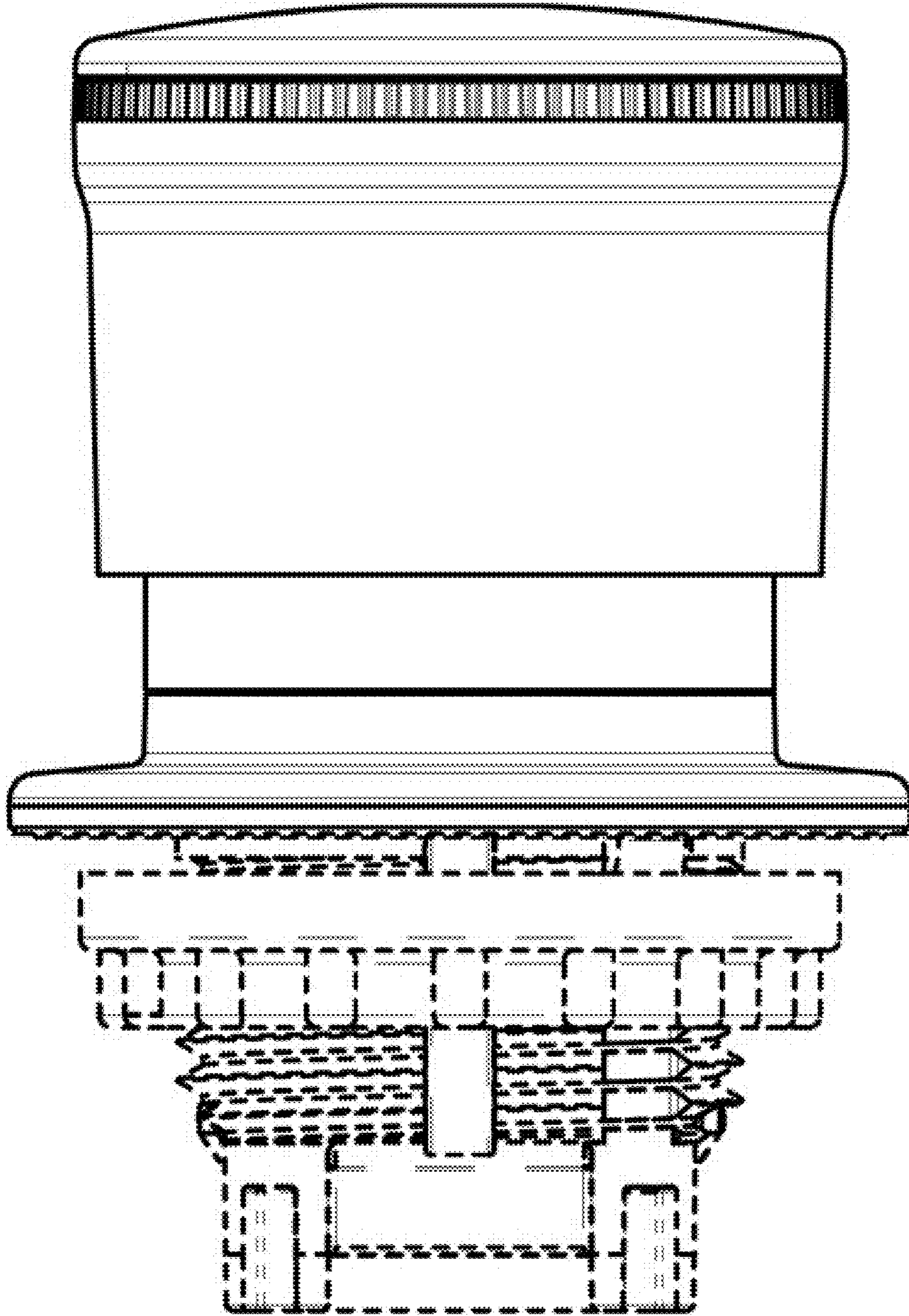
| | | | | | | |
|--------------|----|---|---------|--------------|-------|------------------------|
| D749,050 | S | * | 2/2016 | Zheng | | D13/171 |
| D775,137 | S | * | 12/2016 | Zhou | | D14/456 |
| 9,589,741 | B2 | * | 3/2017 | Wiese | | H01H 13/62 |
| 9,613,761 | B2 | * | 4/2017 | Bruchschmidt | | H01H 13/503 |
| D799,434 | S | * | 10/2017 | Ott | | D13/173 |
| D840,956 | S | * | 2/2019 | Wiese | | D13/173 |
| D851,610 | S | * | 6/2019 | Schlegel | | D13/174 |
| D886,750 | S | * | 6/2020 | Andersson | | D13/174 |
| 2009/0200145 | A1 | * | 8/2009 | Scherl | | H01H 13/503 200/303 |

* cited by examiner

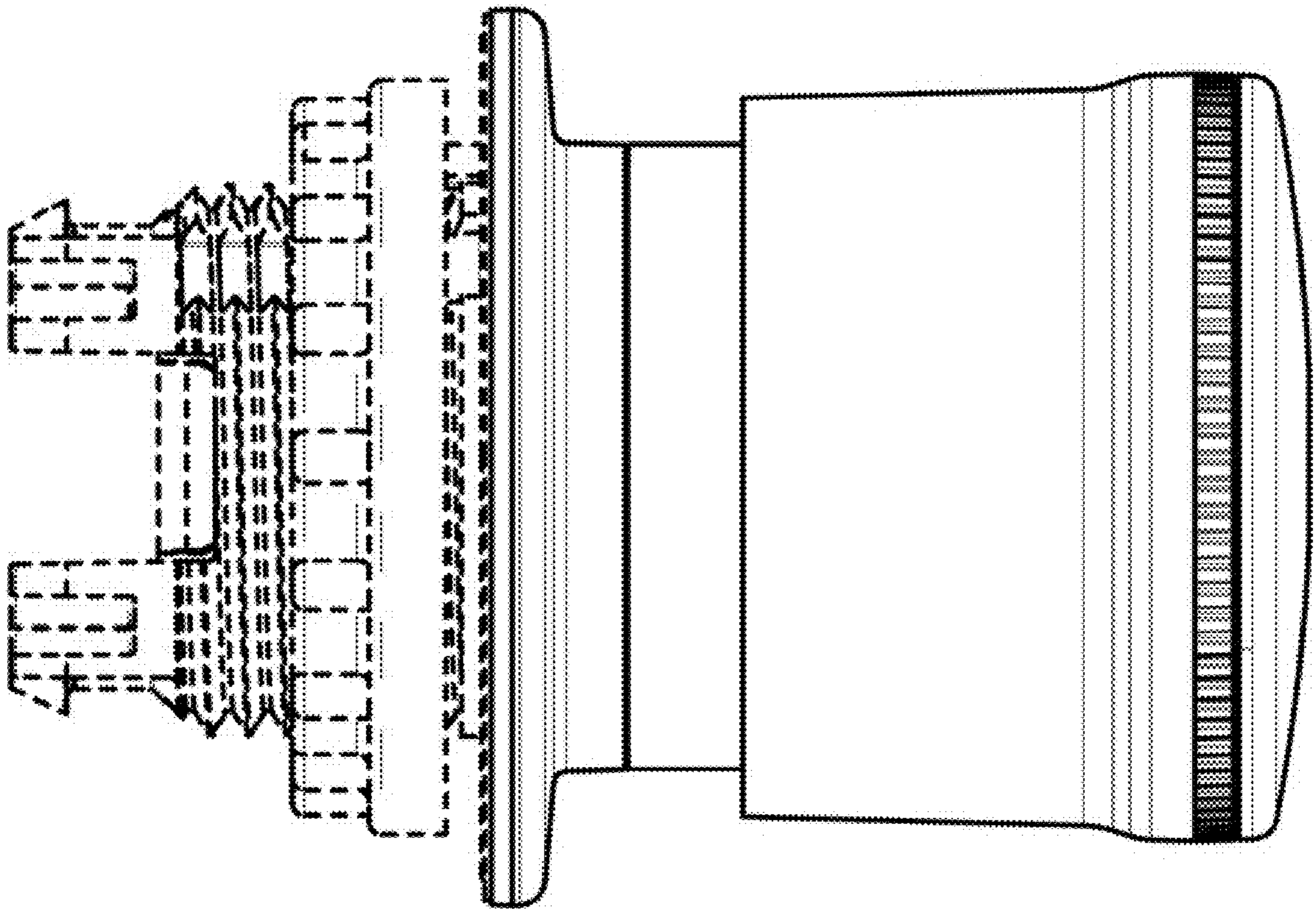
3.1



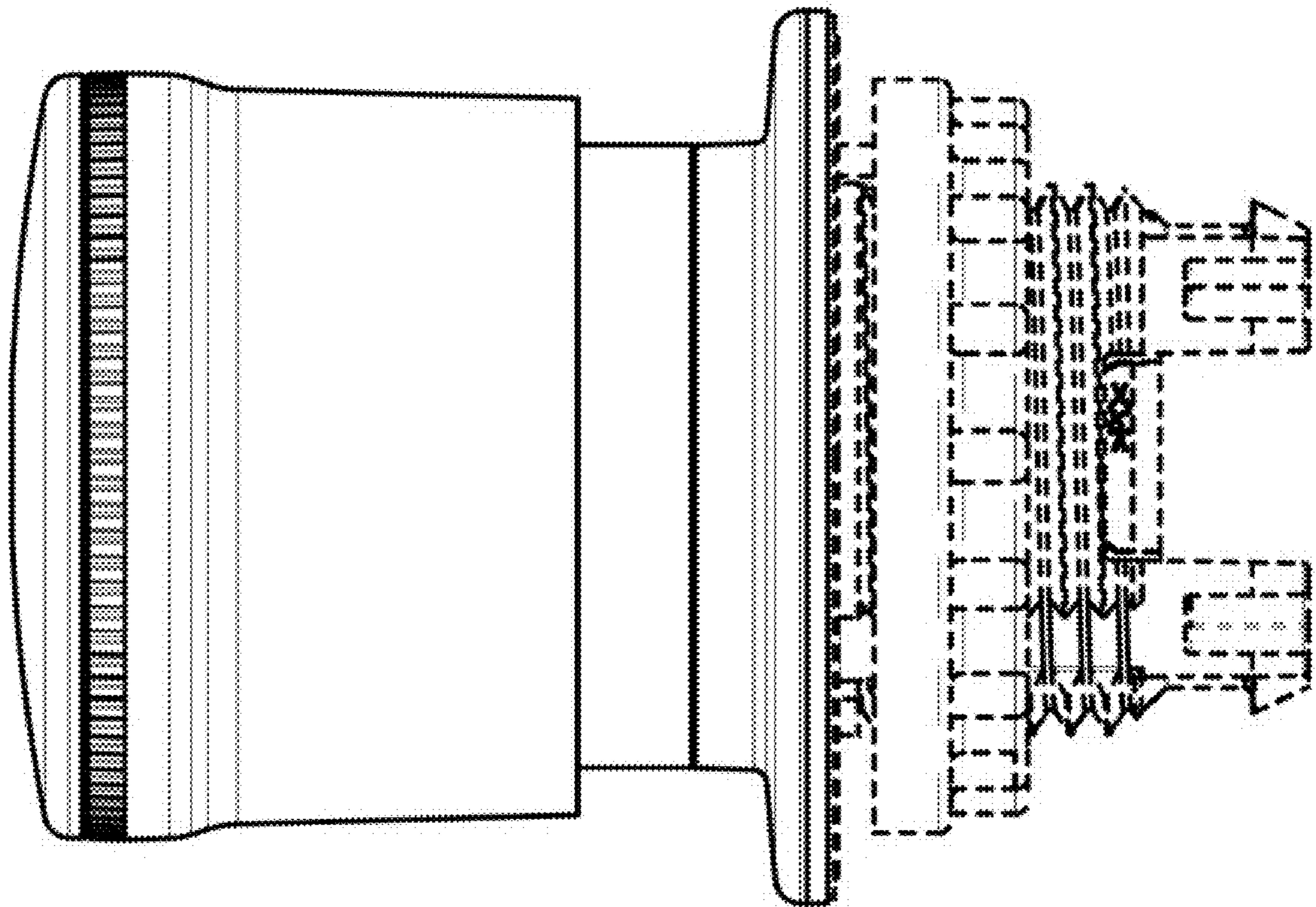
3.2



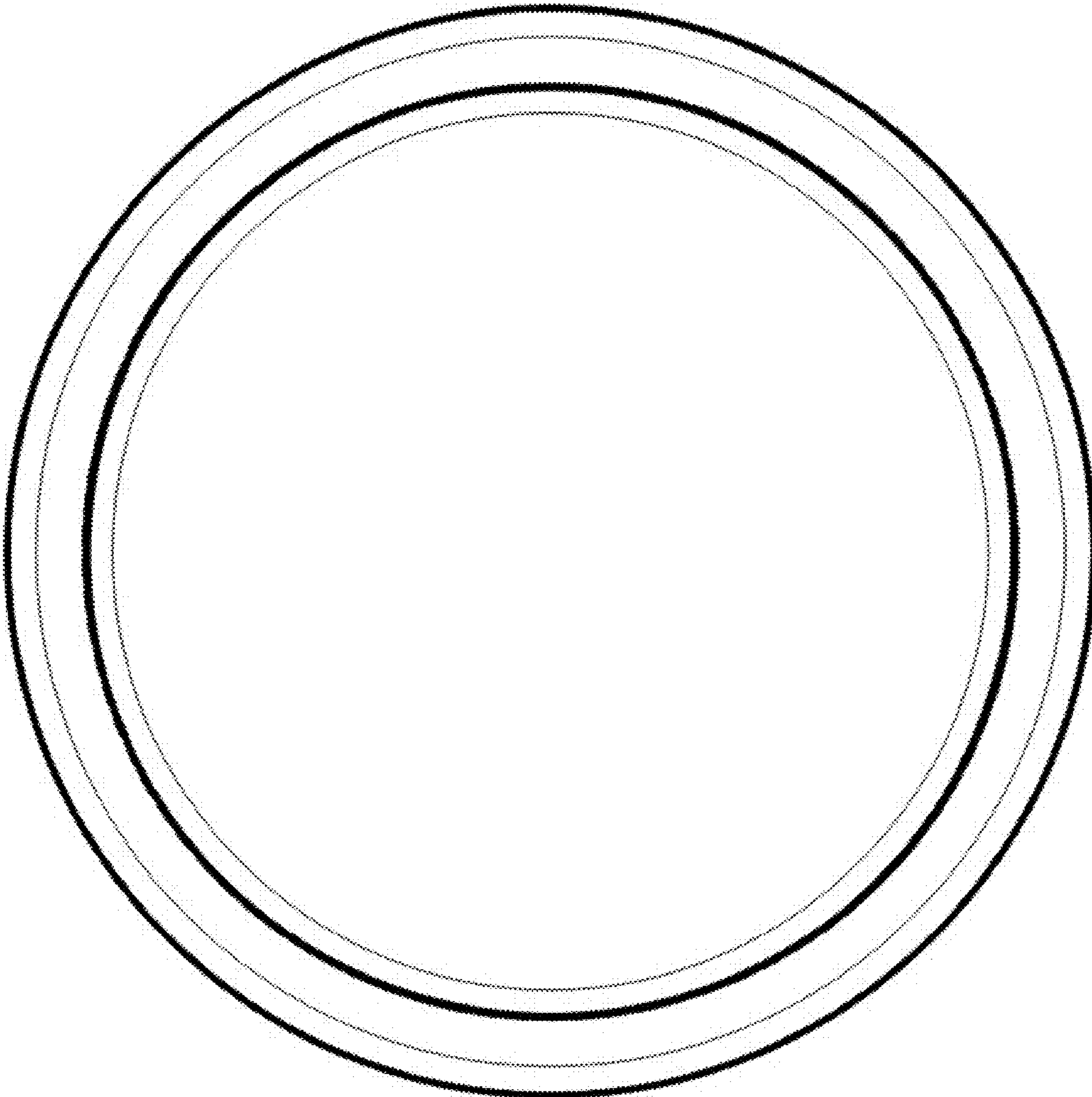
3.3



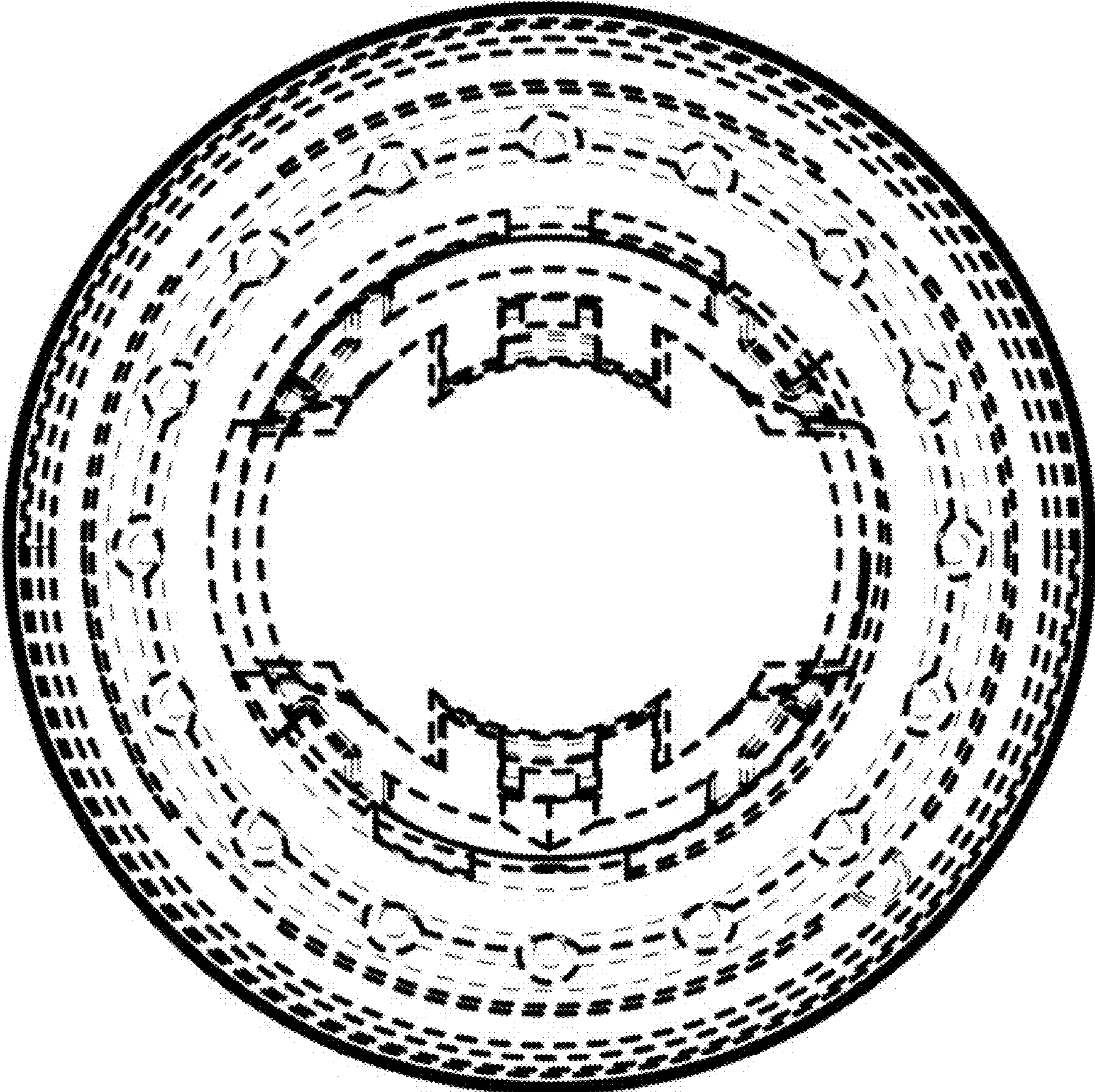
3.4



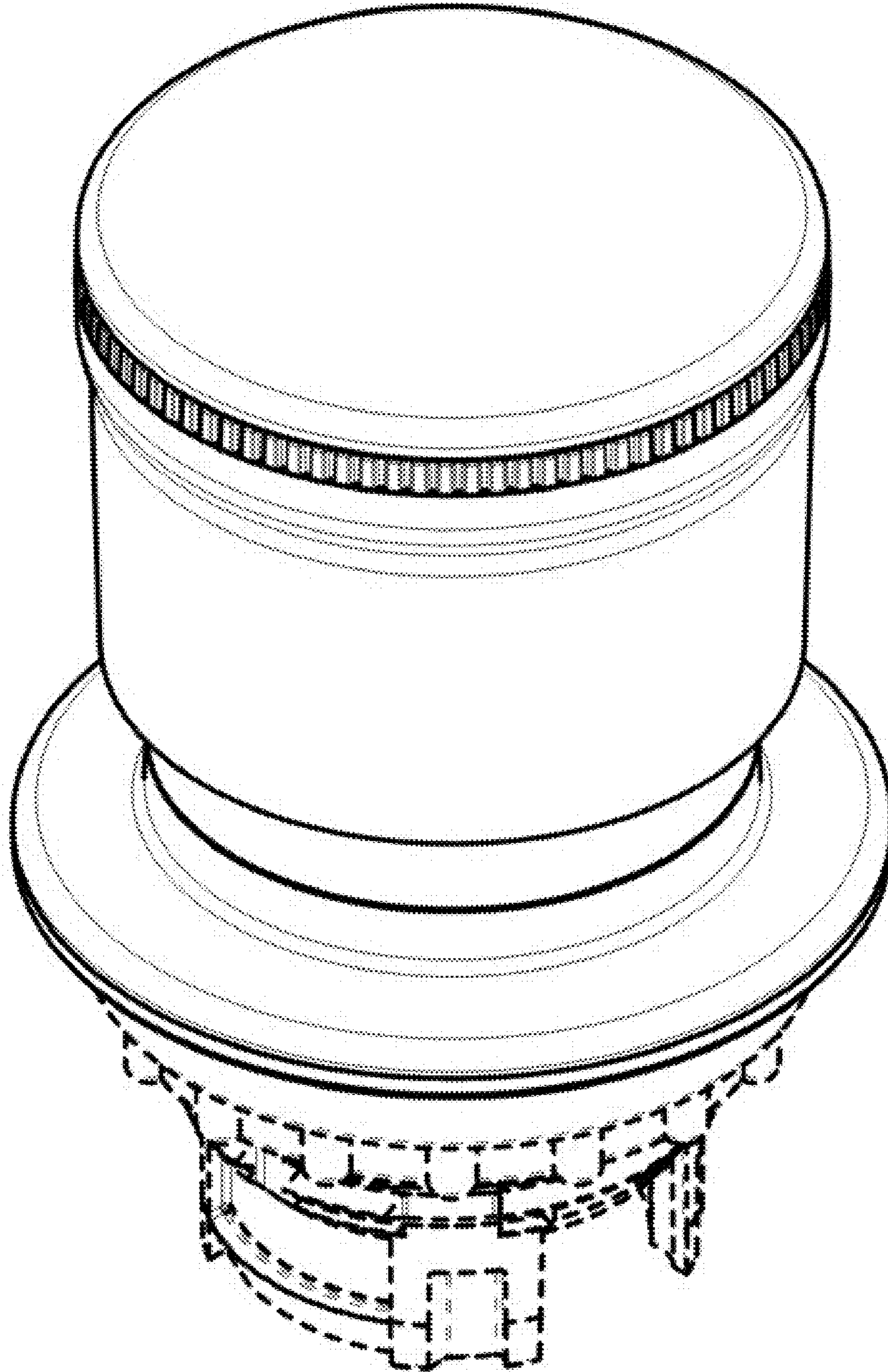
3.5



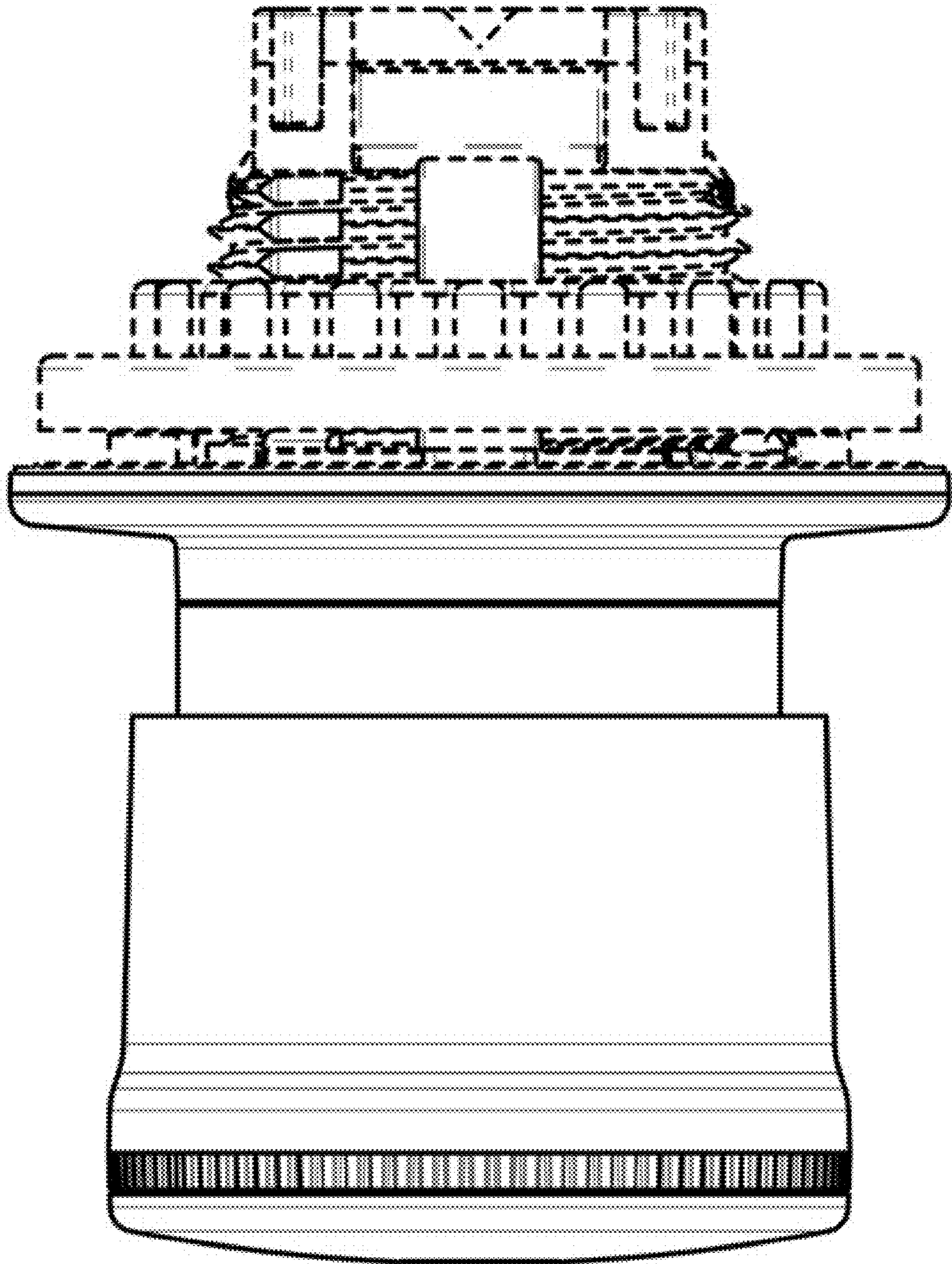
3.6



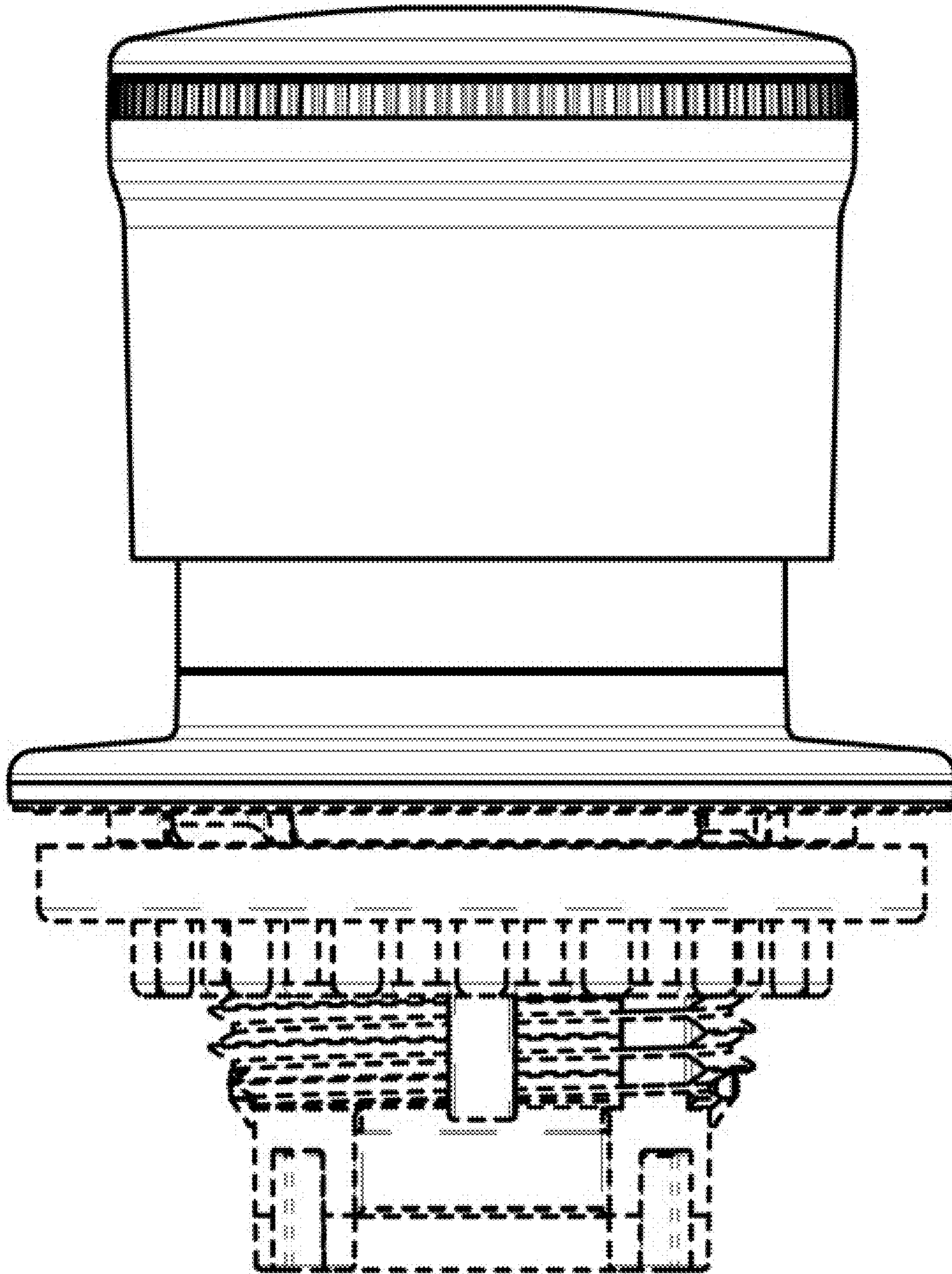
3.7



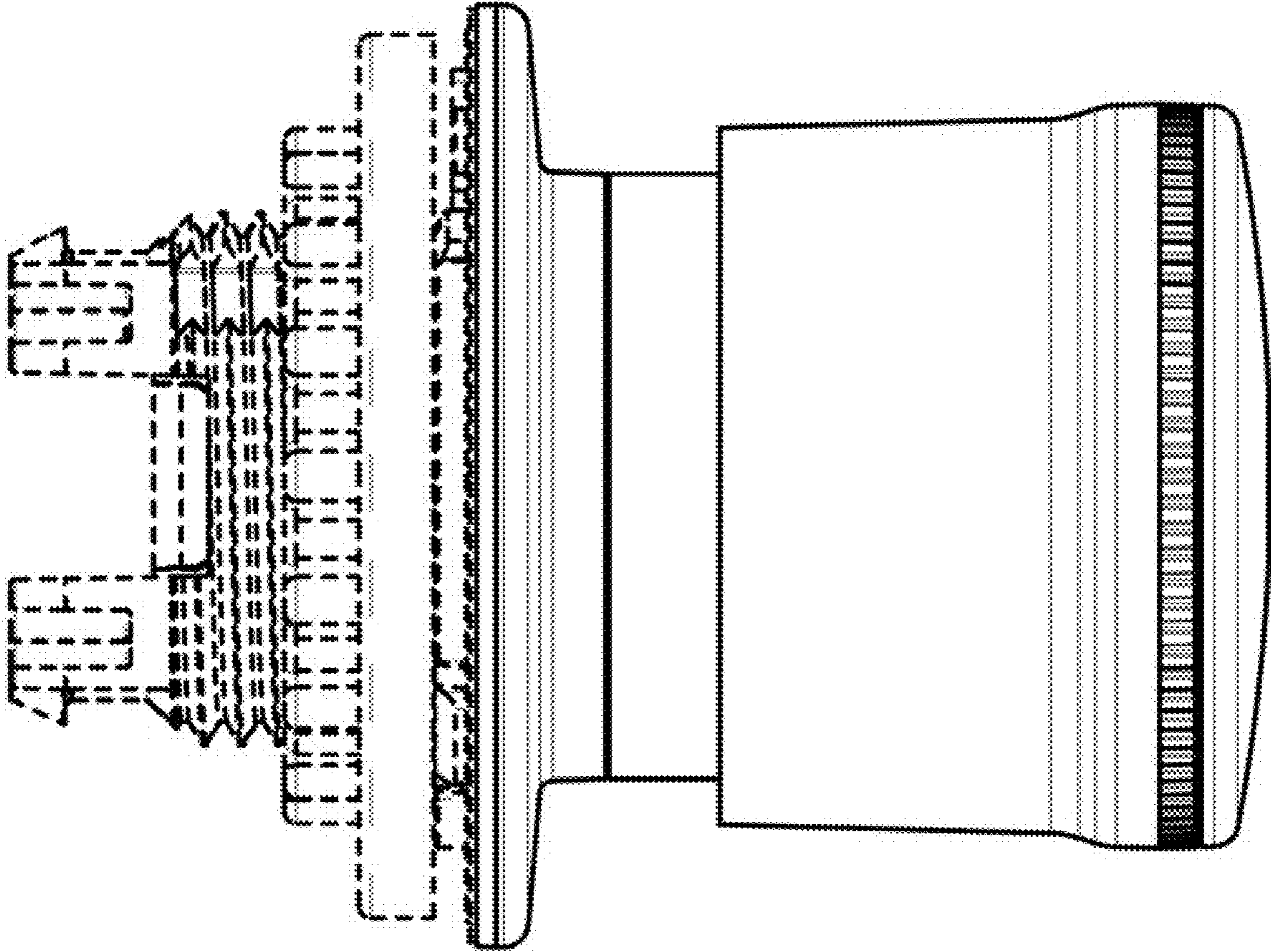
7.1



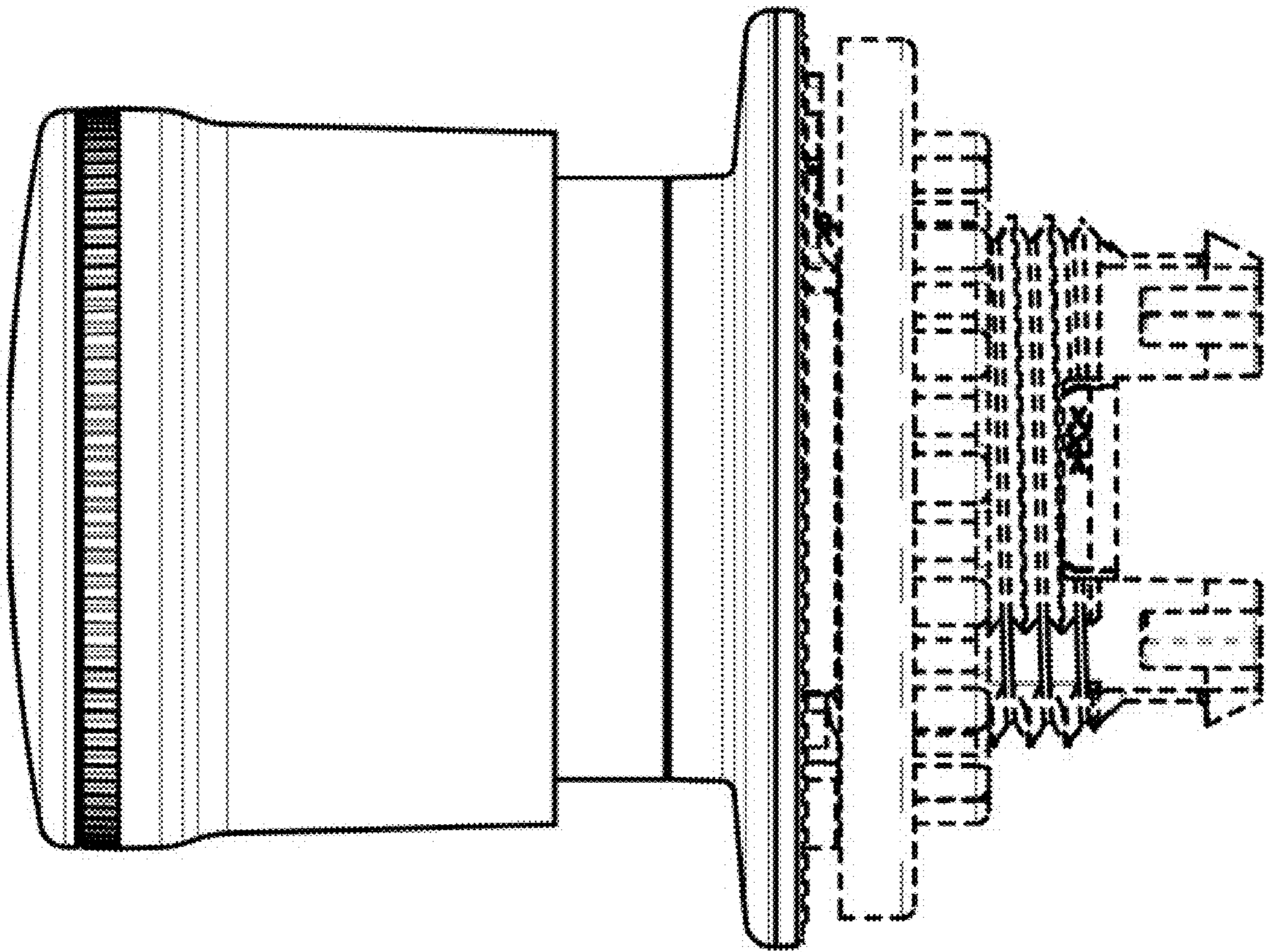
7.2



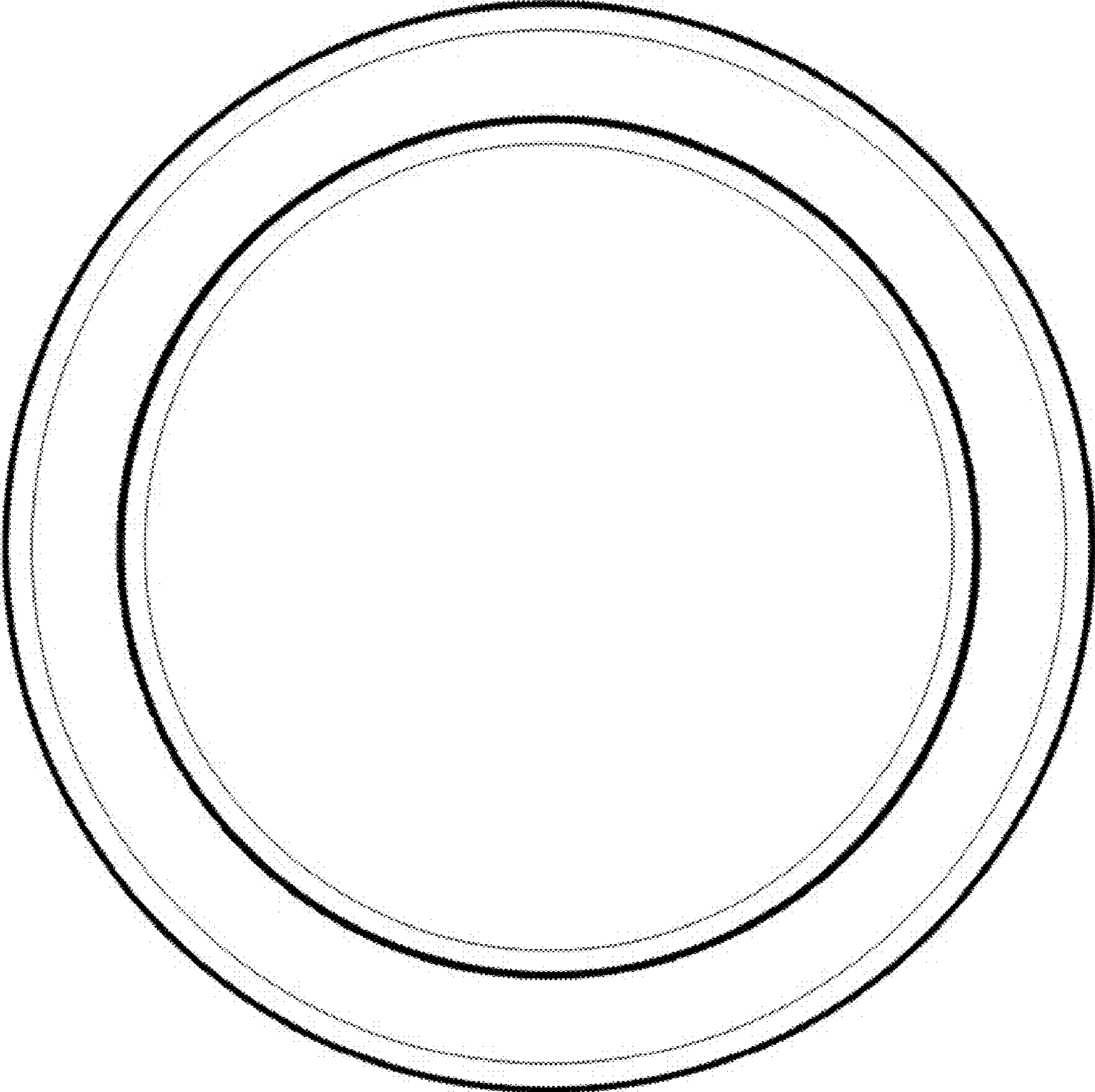
7.3



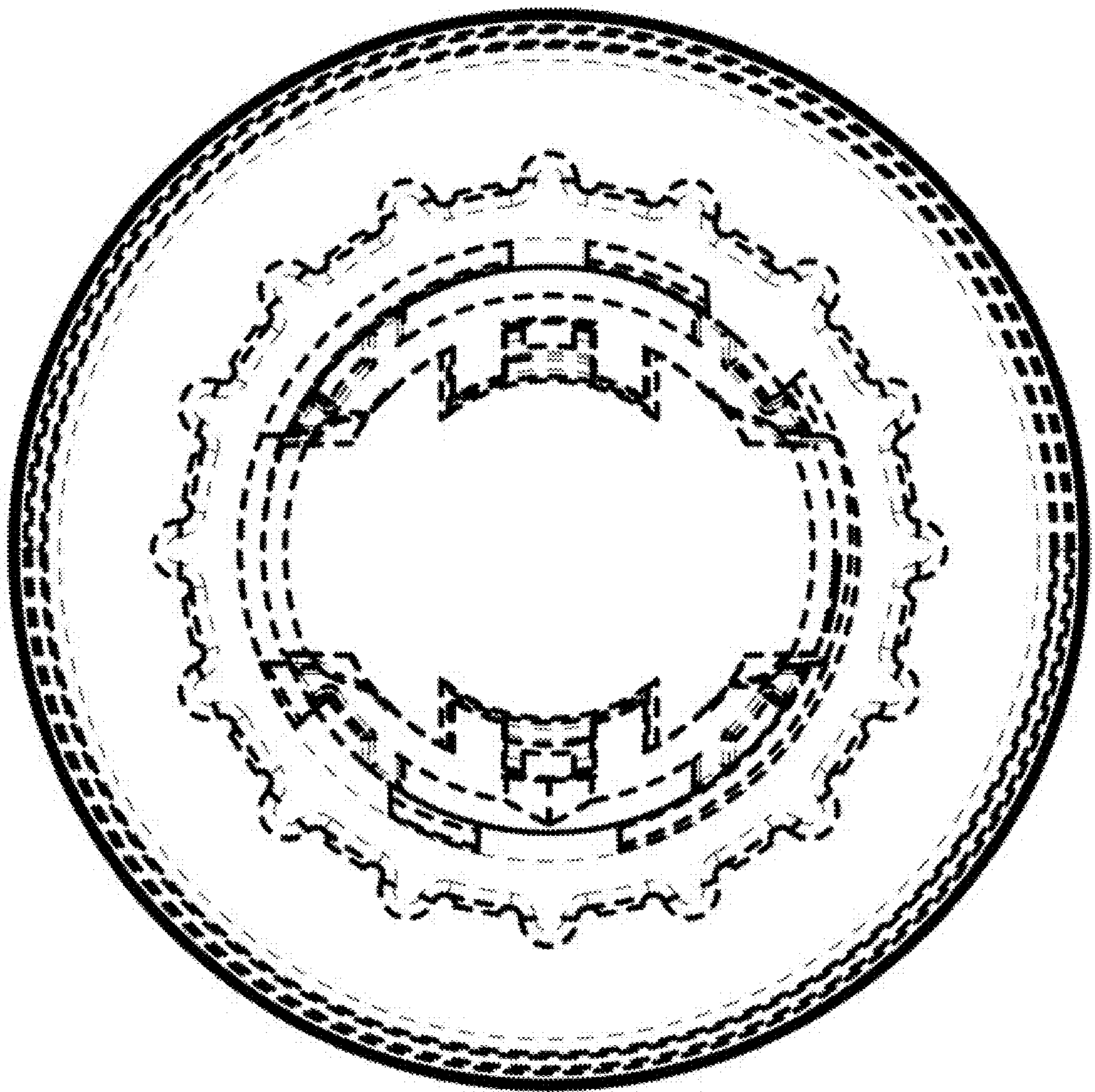
7.4



7.5



7.6



7.7

