



US00D924819S

(12) **United States Design Patent** (10) **Patent No.:** **US D924,819 S**  
**Newman, Jr. et al.** (45) **Date of Patent:** **\*\* Jul. 13, 2021**

(54) **ILLUMINATED CONTROL DEVICE**

(71) Applicant: **Lutron Technology Company LLC**,  
Coopersburg, PA (US)

(72) Inventors: **Robert C. Newman, Jr.**, Emmaus, PA  
(US); **Daniel Curtis Raneri**, Orefield,  
PA (US); **Jaykrishna A. Shukla**, Mays  
Landing, NJ (US)

(73) Assignee: **Lutron Technology Company LLC**,  
Coopersburg, PA (US)

(\*\*) Term: **15 Years**

(21) Appl. No.: **29/593,887**

(22) Filed: **Feb. 14, 2017**

**Related U.S. Application Data**

(63) Continuation of application No. 29/528,412, filed on  
May 28, 2015, now abandoned.

(51) **LOC (13) Cl.** ..... **13-03**

(52) **U.S. Cl.**  
USPC ..... **D13/174**

(58) **Field of Classification Search**  
USPC ..... D10/106.8, 112; D13/162, 164, 171,  
D13/174, 177; D14/203.4, 485-495;  
D23/320; D26/38, 120

(Continued)

(56) **References Cited**

**U.S. PATENT DOCUMENTS**

3,693,129 A \* 9/1972 Shimizu ..... H01C 10/44  
338/183  
4,559,515 A \* 12/1985 Takezawa ..... H01C 10/44  
338/128

(Continued)

**OTHER PUBLICATIONS**

Lutron Electronics Co., Inc., Stanza Hotel Guestroom Light Control  
Brochure, Feb. 20, 2008.

(Continued)

*Primary Examiner* — Cary M Robinson

(74) *Attorney, Agent, or Firm* — Saidman DesignLaw  
Group, LLC

(57) **CLAIM**

The ornamental design for an illuminated control device, as  
shown and described.

**DESCRIPTION**

FIG. 1 is a front perspective view showing a first state in a  
sequence of an illuminated control device showing our new  
design;

FIG. 2 is a front view thereof;

FIG. 3 is a left side view thereof;

FIG. 4 is a right side view thereof;

FIG. 5 is a top view thereof;

FIG. 6 is a bottom view thereof;

FIG. 7 is a front perspective view showing a second state in  
a sequence thereof;

FIG. 8 is a front view thereof;

FIG. 9 is a left side view thereof;

FIG. 10 is a right side view thereof;

FIG. 11 is a top view thereof;

FIG. 12 is a bottom view thereof;

FIG. 13 is a front perspective view showing a third state in  
a sequence thereof;

FIG. 14 is a front view thereof;

FIG. 15 is a left side view thereof;

FIG. 16 is a right side view thereof;

FIG. 17 is a top view thereof;

FIG. 18 is a bottom view thereof;

FIG. 19 is a front perspective view showing a fourth state in  
a sequence thereof;

FIG. 20 is a front view thereof;

FIG. 21 is a left side view thereof;

FIG. 22 is a right side view thereof;

FIG. 23 is a top view thereof;

FIG. 24 is a bottom view thereof;

FIG. 25 is a front perspective view showing a fifth state in  
a sequence thereof;

FIG. 26 is a front view thereof;

FIG. 27 is a left side view thereof;

(Continued)

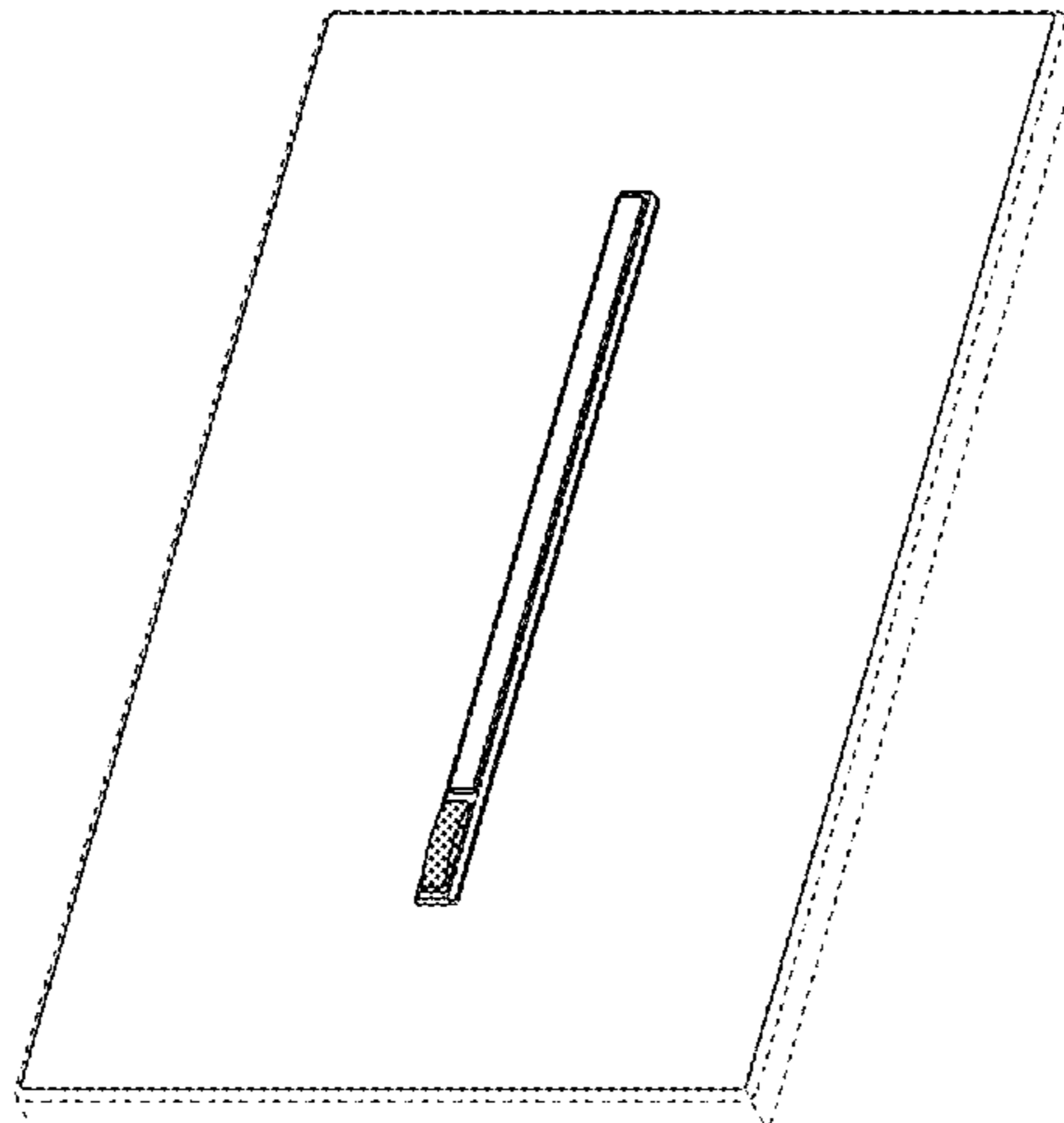


FIG. 28 is a right side view thereof;  
 FIG. 29 is a top view thereof;  
 FIG. 30 is a bottom view thereof;  
 FIG. 31 is a front perspective view showing a sixth state in a sequence thereof;  
 FIG. 32 is a front view thereof;  
 FIG. 33 is a left side view thereof;  
 FIG. 34 is a right side view thereof;  
 FIG. 35 is a top view thereof;  
 FIG. 36 is a bottom view thereof;  
 FIG. 37 is a front perspective view showing a seventh state in a sequence thereof;  
 FIG. 38 is a front view thereof;  
 FIG. 39 is a left side view thereof;  
 FIG. 40 is a right side view thereof;  
 FIG. 41 is a top view thereof;  
 FIG. 42 is a bottom view thereof;  
 FIG. 43 is a front perspective view showing an eighth state in a sequence thereof;  
 FIG. 44 is a front view thereof;  
 FIG. 45 is a left side view thereof;  
 FIG. 46 is a right side view thereof;  
 FIG. 47 is a top view thereof; and,  
 FIG. 48 is a bottom view thereof.

The gray shaded elements depict illumination.  
 The broken lines illustrate portions of the control device which form no part of the claimed design.  
 The appearance of the claimed design sequentially transitions between the eight states shown in FIGS. 1-6, FIGS. 7-12, FIGS. 13-18, FIGS. 19-24, FIGS. 25-30, FIGS. 31-36, FIGS. 37-42, and FIGS. 43-48. The process or period in which one state transitions to another state forms no part of the claimed design.

**1 Claim, 16 Drawing Sheets**

(58) **Field of Classification Search**

CPC ..... G06F 3/0481; G06F 3/04845; G06F 3/04817; G06F 17/212; G06T 13/80; G06T 15/02; H04N 1/00424; H04N 1/00477; G06Q 10/063114; G11B 27/34  
 See application file for complete search history.

(56) **References Cited**

U.S. PATENT DOCUMENTS

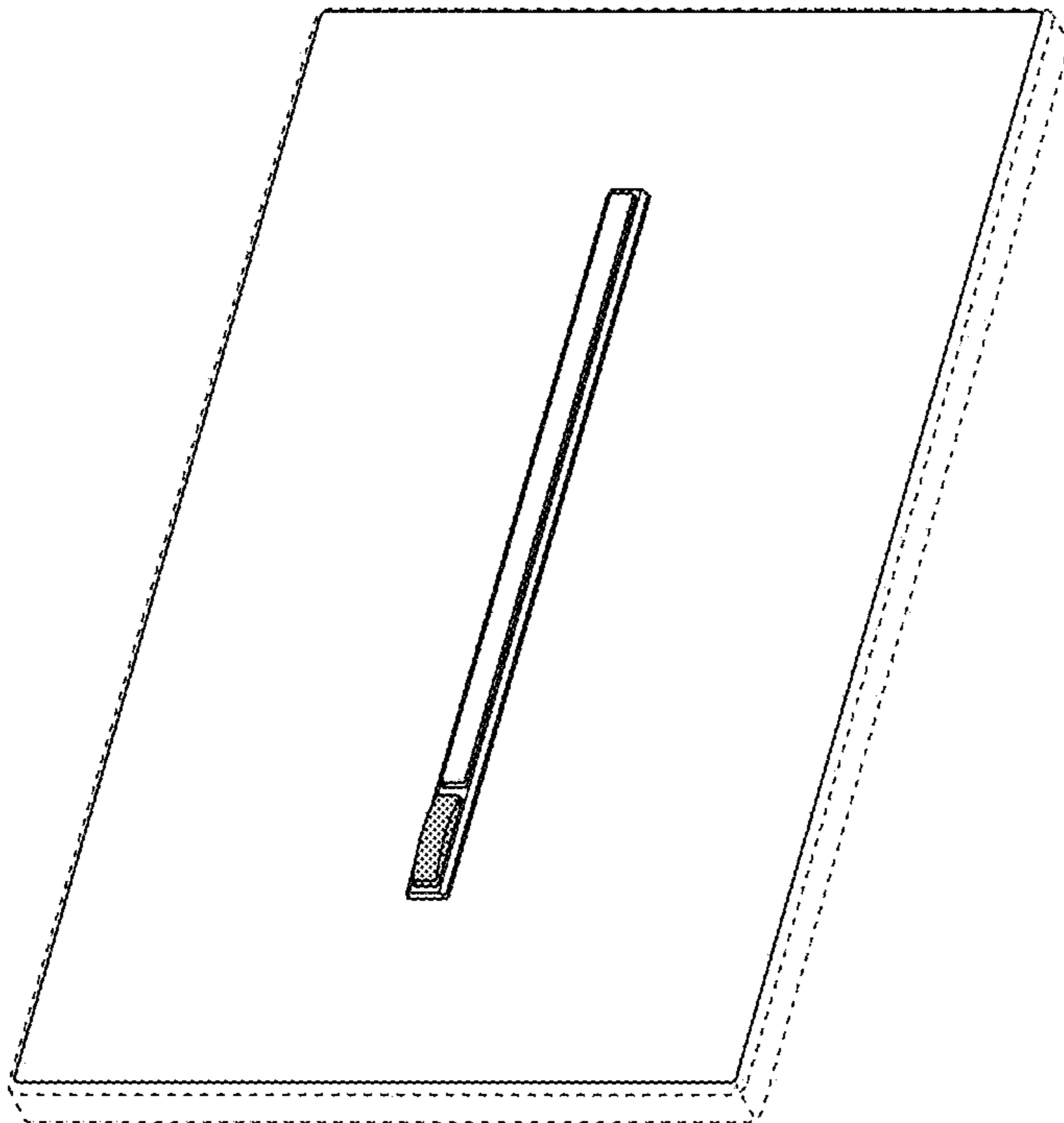
D450,043 S	11/2001	Mosebrook	
D453,742 S	2/2002	Butler et al.	
D563,901 S	3/2008	Mayo et al.	
D566,658 S	4/2008	Mayo et al.	
D570,299 S	6/2008	Jacoby et al.	
D572,202 S	7/2008	Jacoby et al.	
D572,208 S	7/2008	Mayo et al.	
D572,667 S	7/2008	Mayo et al.	
7,641,491 B2	1/2010	Altonen et al.	
D624,881 S	10/2010	Altonen et al.	
D624,882 S *	10/2010	Altonen .....	D13/171
7,872,429 B2	1/2011	Steiner et al.	
D678,320 S	3/2013	Kanalakis, Jr. et al.	
D697,081 S *	1/2014	van Dongen .....	D14/489
D727,949 S *	4/2015	Milliotte .....	G06F 3/04817 D14/487
D733,181 S	6/2015	Manfredo et al.	
D737,320 S	8/2015	McCormick	
D739,417 S	9/2015	Laverack et al.	
D750,098 S	2/2016	Song	
D762,702 S *	8/2016	Hoang .....	D14/487

D780,133 S *	2/2017	Gage .....	D13/174
D780,702 S *	3/2017	Gage .....	D13/174
D784,272 S *	4/2017	Gage .....	D13/171
D784,273 S *	4/2017	Gage .....	D13/171
D784,274 S *	4/2017	Gage .....	D13/171
D792,859 S *	7/2017	Gage .....	D13/171
D793,348 S *	8/2017	Gage .....	D13/171
D793,349 S *	8/2017	Gage .....	D13/171
D797,117 S *	9/2017	Sun .....	D14/485
D800,762 S *	10/2017	Aoshima .....	D14/487
D807,386 S *	1/2018	Tashiro .....	D14/486
D810,112 S *	2/2018	Hasjim .....	D14/486
D819,043 S *	5/2018	Yamaura .....	D14/485
D820,794 S *	6/2018	Gage .....	D13/171
D820,795 S *	6/2018	Gage .....	D13/171
D820,796 S *	6/2018	Gage .....	D13/174
D821,335 S *	6/2018	Gage .....	D13/171
D821,336 S *	6/2018	Gage .....	D13/174
D845,914 S *	4/2019	Gage .....	D13/171
D856,943 S *	8/2019	Gage .....	D13/171
D865,684 S *	11/2019	Gage .....	D13/171
D866,488 S *	11/2019	Gage .....	D13/171
D868,009 S *	11/2019	Dimberg .....	D13/174
D868,010 S *	11/2019	Bard .....	D13/174
2001/0005843 A1	6/2001	Tokashiki	
2002/0175931 A1 *	11/2002	Holtz .....	G06F 3/1431 715/716
2004/0179124 A1 *	9/2004	Morimoto .....	H04N 1/00408 348/333.02
2007/0291010 A1 *	12/2007	Altonen .....	H05B 39/085 345/173
2008/0258644 A1 *	10/2008	Altonen .....	H01R 13/641 315/246
2009/0184652 A1	7/2009	Bollinger, Jr. et al.	
2011/0083074 A1	4/2011	Jellison, Jr. et al.	
2015/0067596 A1	3/2015	Brown et al.	
2015/0067601 A1	3/2015	Bernstein et al.	
2015/0089372 A1	3/2015	Mandalia et al.	
2015/0135109 A1	5/2015	Zambetti et al.	
2016/0004429 A1	1/2016	Bernstein et al.	
2016/0035217 A1 *	2/2016	Camden .....	H04L 12/2816 340/12.5

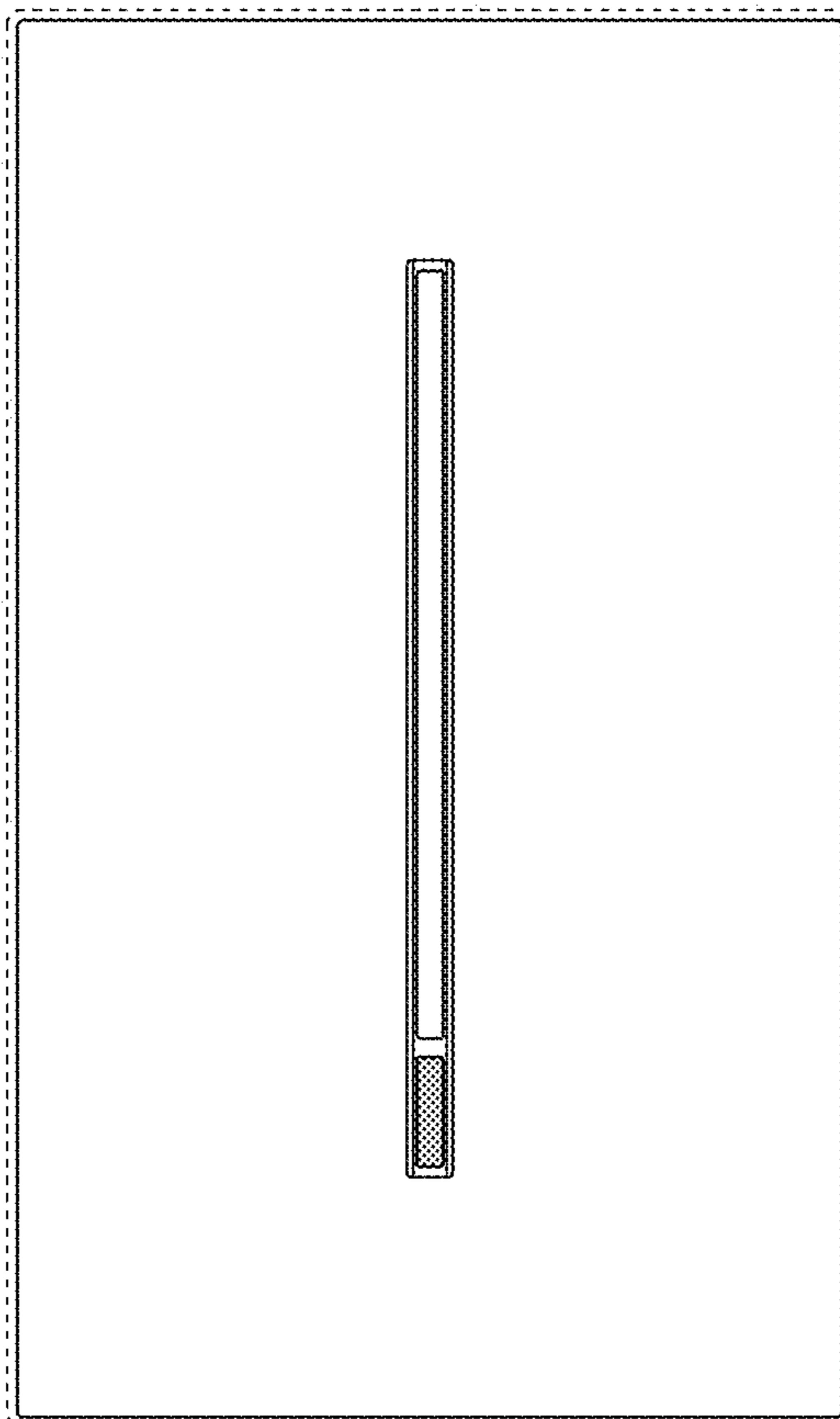
OTHER PUBLICATIONS

Inncom, GS-700 Family Glass Series Switches Sell Sheet, Nov. 2008.  
 Lutron Electronics Co., Inc., Vierti SingleTouch Dimmer, available at least as early as 2010. <<http://www.lutron.com/en-US/ResourceLibrary/veriti/main.swf>>.  
 YouTube | Ford Thunderbird 1965 Big Block 428 inch<sup>3</sup> HO, Sound, published on Oct. 27, 2009 by axlfly1965, © 2016 YouTube, LLC, [online], [site visited Nov. 17, 2016]. Available from internet, [frames 0:38-0:58] <URL: <https://www.youtube.com/watch?v=1H2ATfFCPM/>>.  
 YouTube | Mac OS X Volume Trick, published on Sep. 1, 2010 by everything4ipod, © 2016 YouTube, LLC, [online], [site visited May 23, 2016]. Available from Internet, [frames 0:37-0:40] <URL: [https://www.youtube.com/watch?v=g5RT\\_lrF4y8](https://www.youtube.com/watch?v=g5RT_lrF4y8)>.  
 ClassicBoomBox.com, Panasonic RX-5250, published on Aug. 26, 2012 © 2016 ClassicBoombox.com [online], [site visited Nov. 17, 2016]. Available from Internet, <URL://<http://classicboombox.com/panasonic-rx-5250>>.  
 YouTube | Volume Up/Down Green Screen, published on Apr. 24, 2016 by lediting X, © 2016 YouTube, LLC, [online], [site visited May 23, 2016]. Available from Internet, [frames 0:00-0:03] <URL: <https://www.youtube.com/watch?v=P3EGeXt1CMc>>.  
 U.S. Appl. No. 29/447,481 of Erica L. Clymer et al., filed Mar. 4, 2013, titled "Load Control Device." (unpublished).  
 U.S. Appl. No. 29/447,485 of Erica L. Clymer et al., filed Mar. 4, 2013, titled "Load Control Device." (unpublished).  
 U.S. Appl. No. 29/528,410 of Robert C. Newman et al., filed May 28, 2015, titled "Illuminated Control Device." (unpublished).

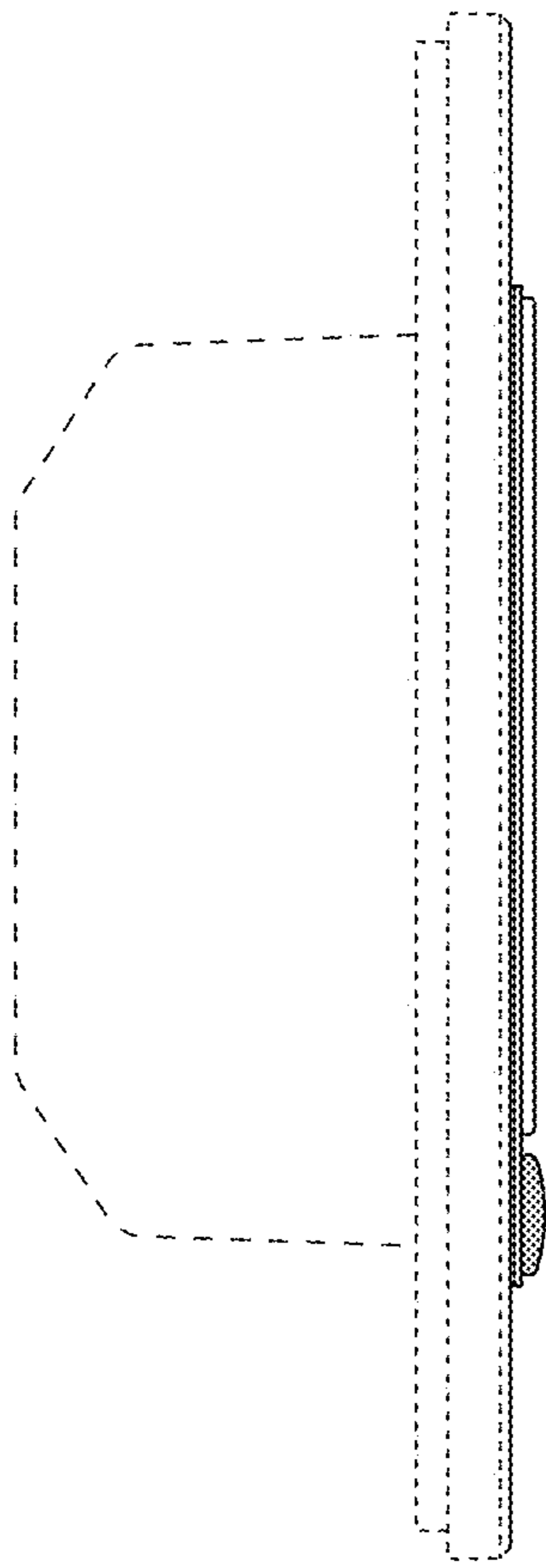
\* cited by examiner



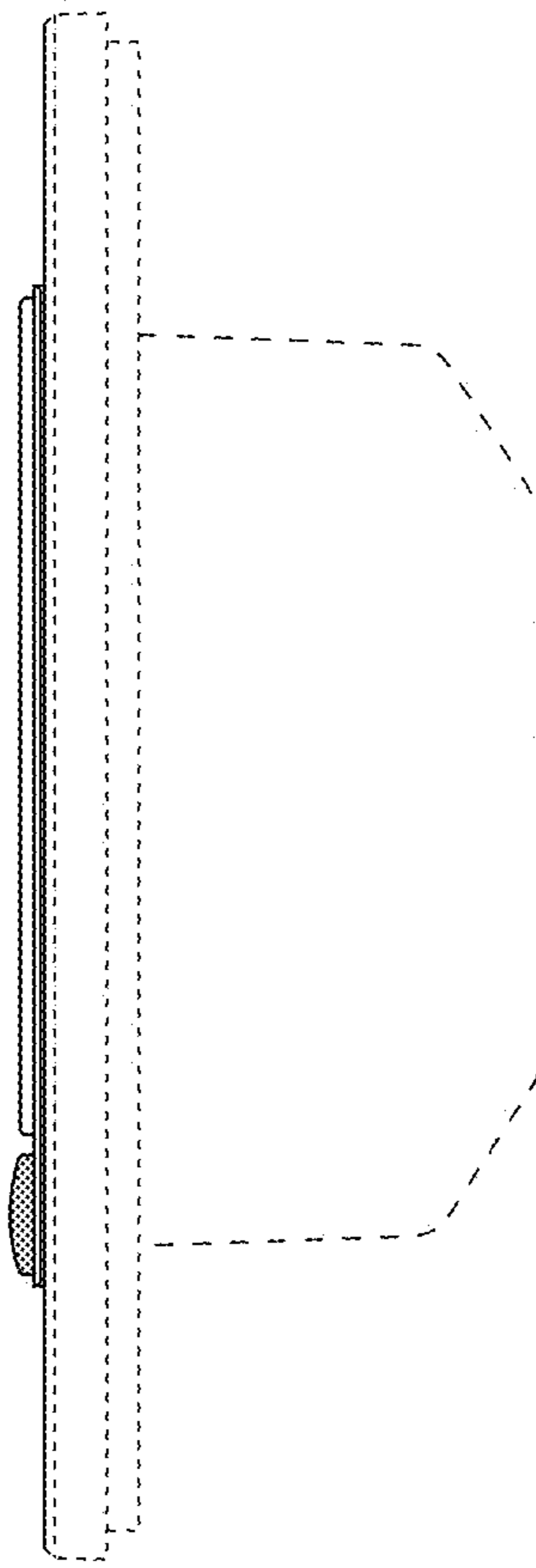
**Fig. 1**



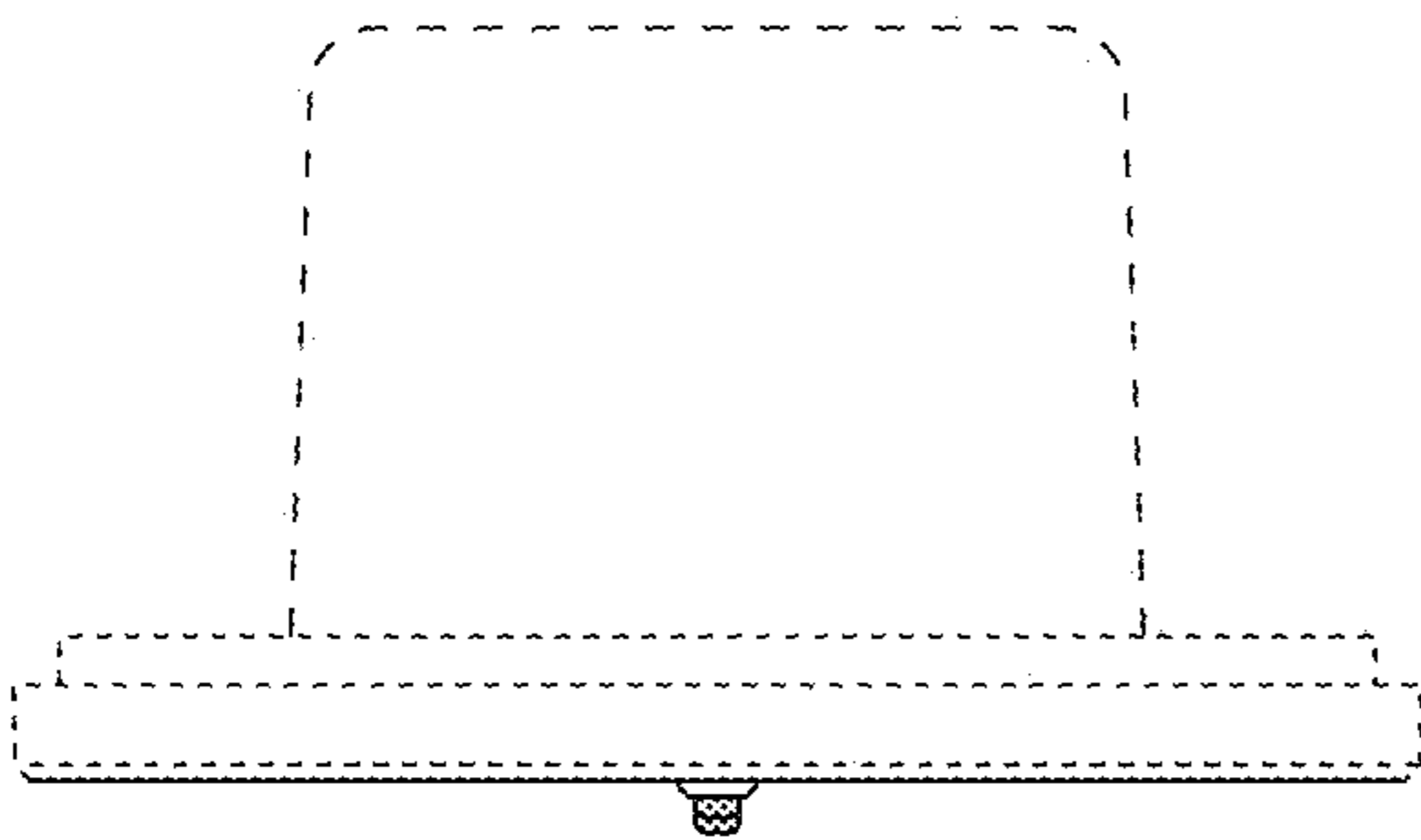
**Fig. 2**



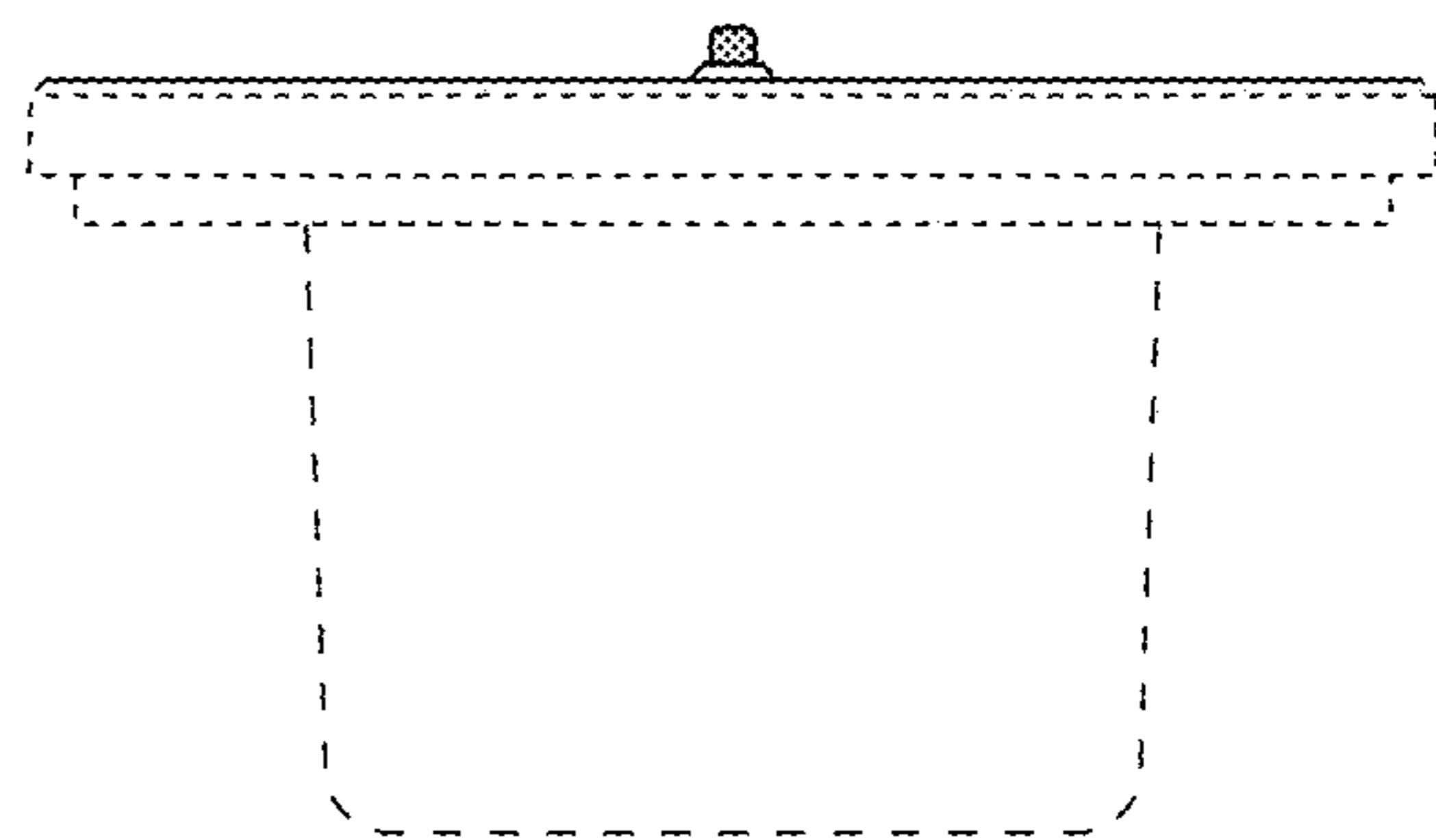
**Fig. 3**



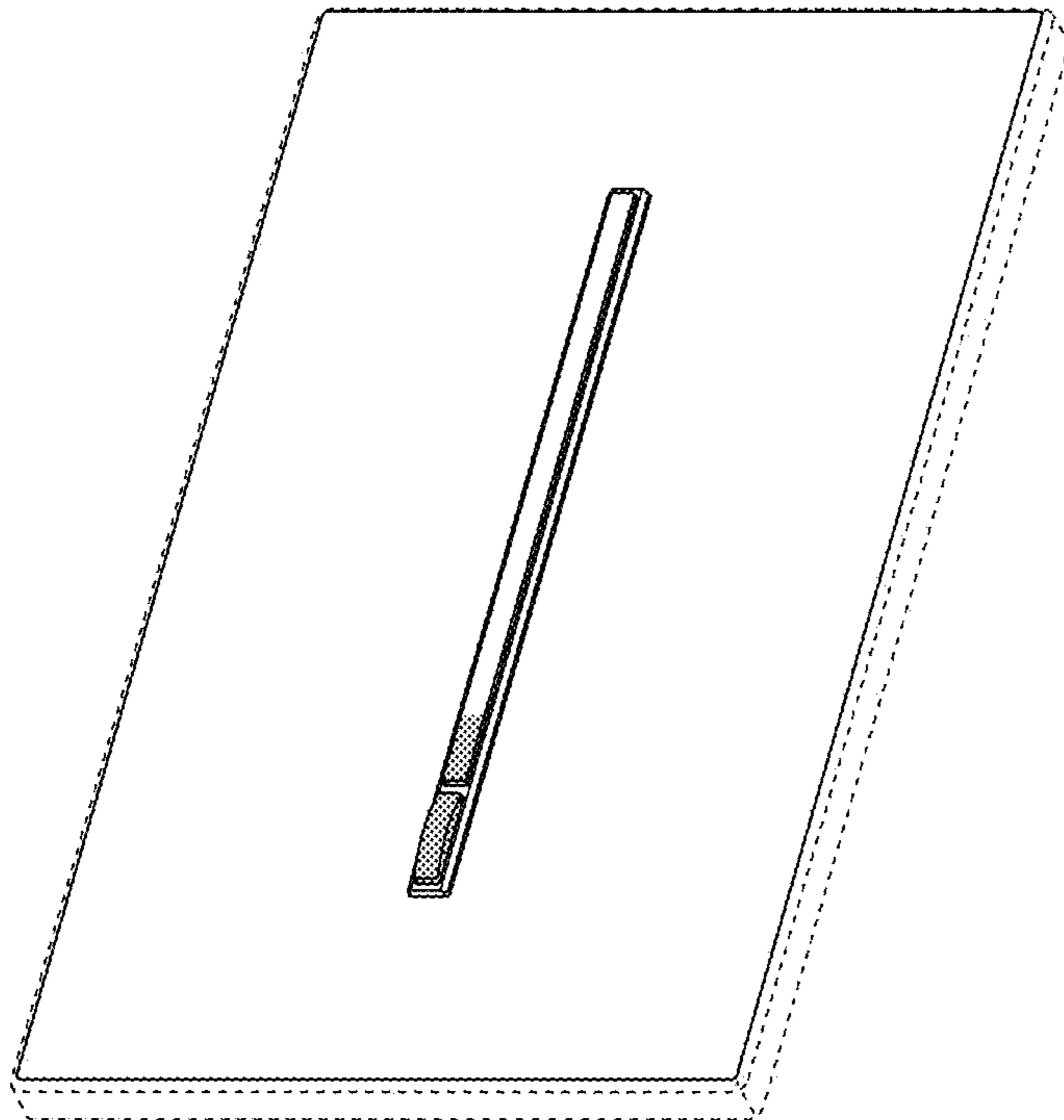
**Fig. 4**



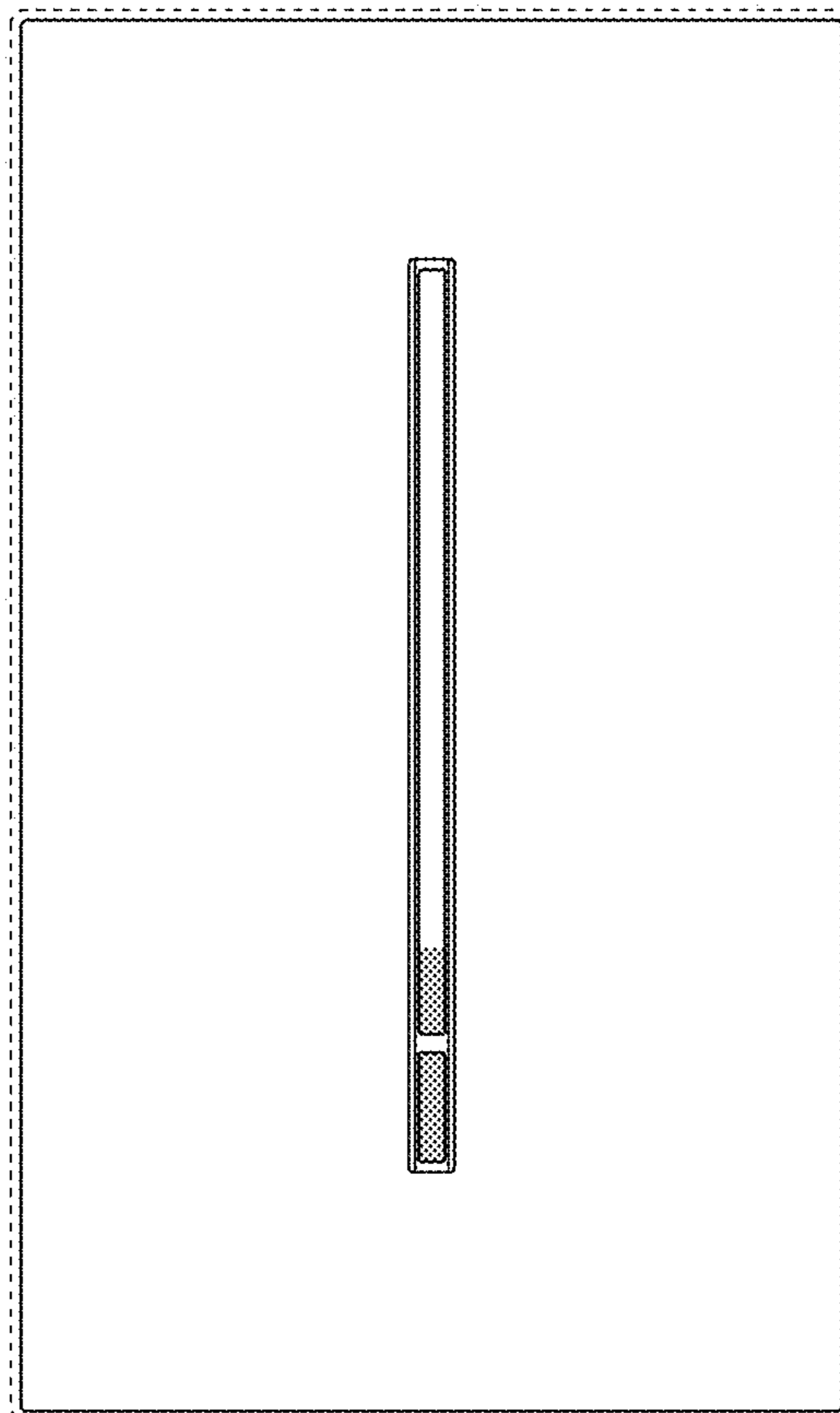
**Fig. 5**



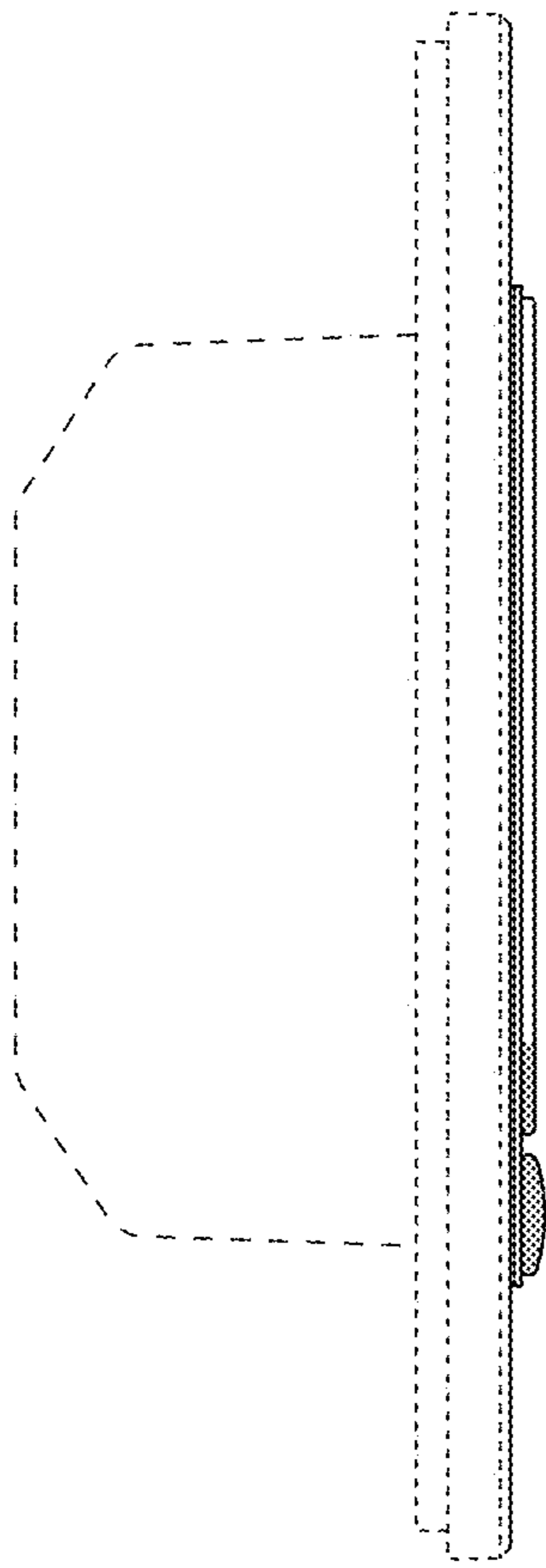
**Fig. 6**



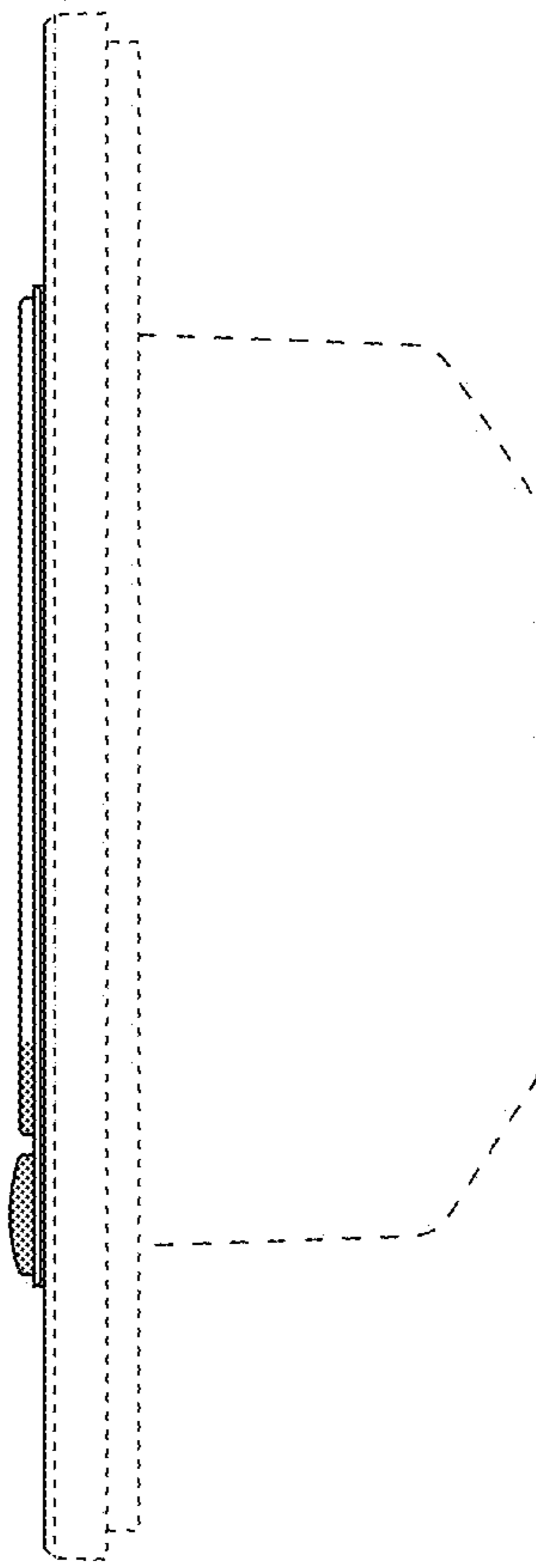
**Fig. 7**



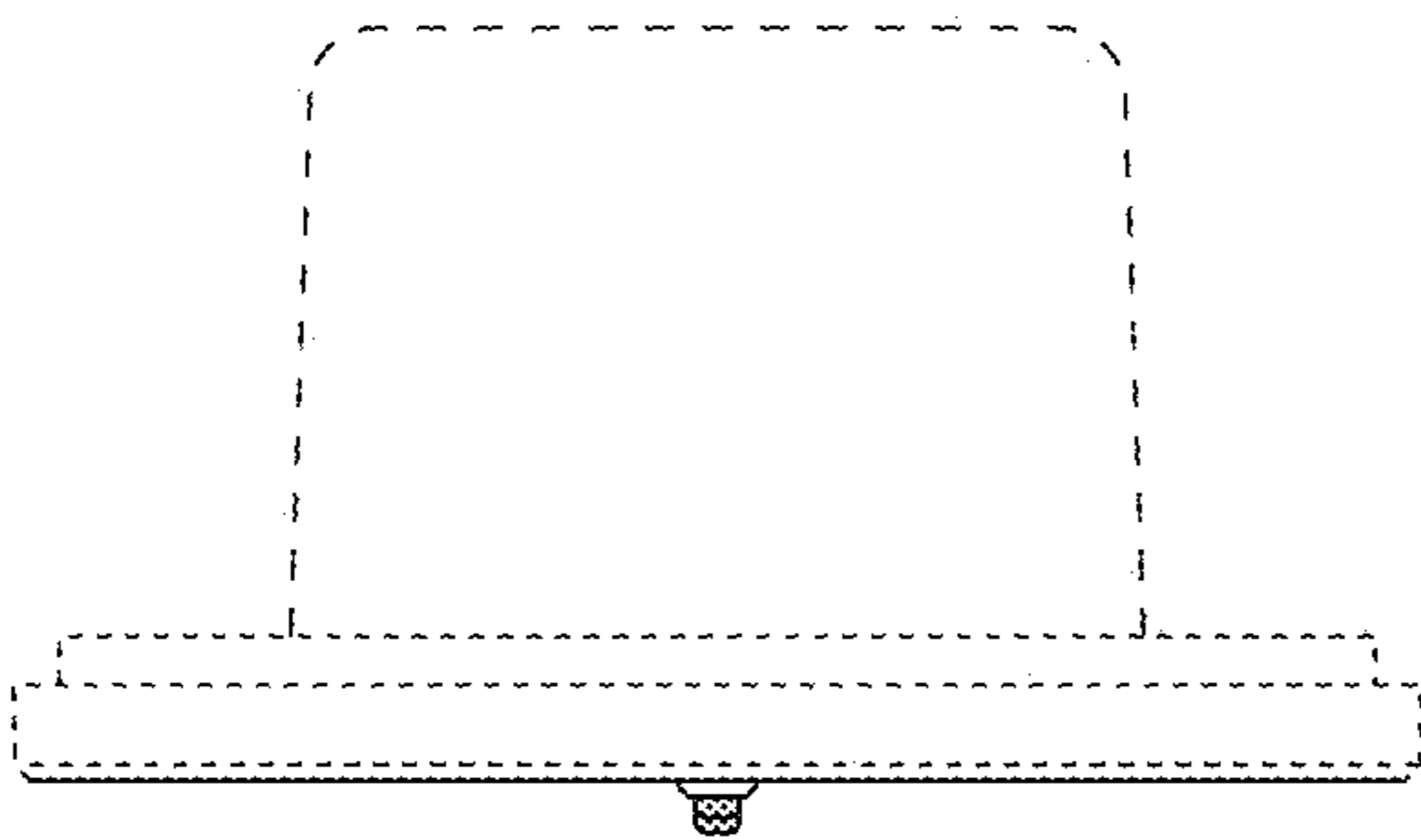
**Fig. 8**



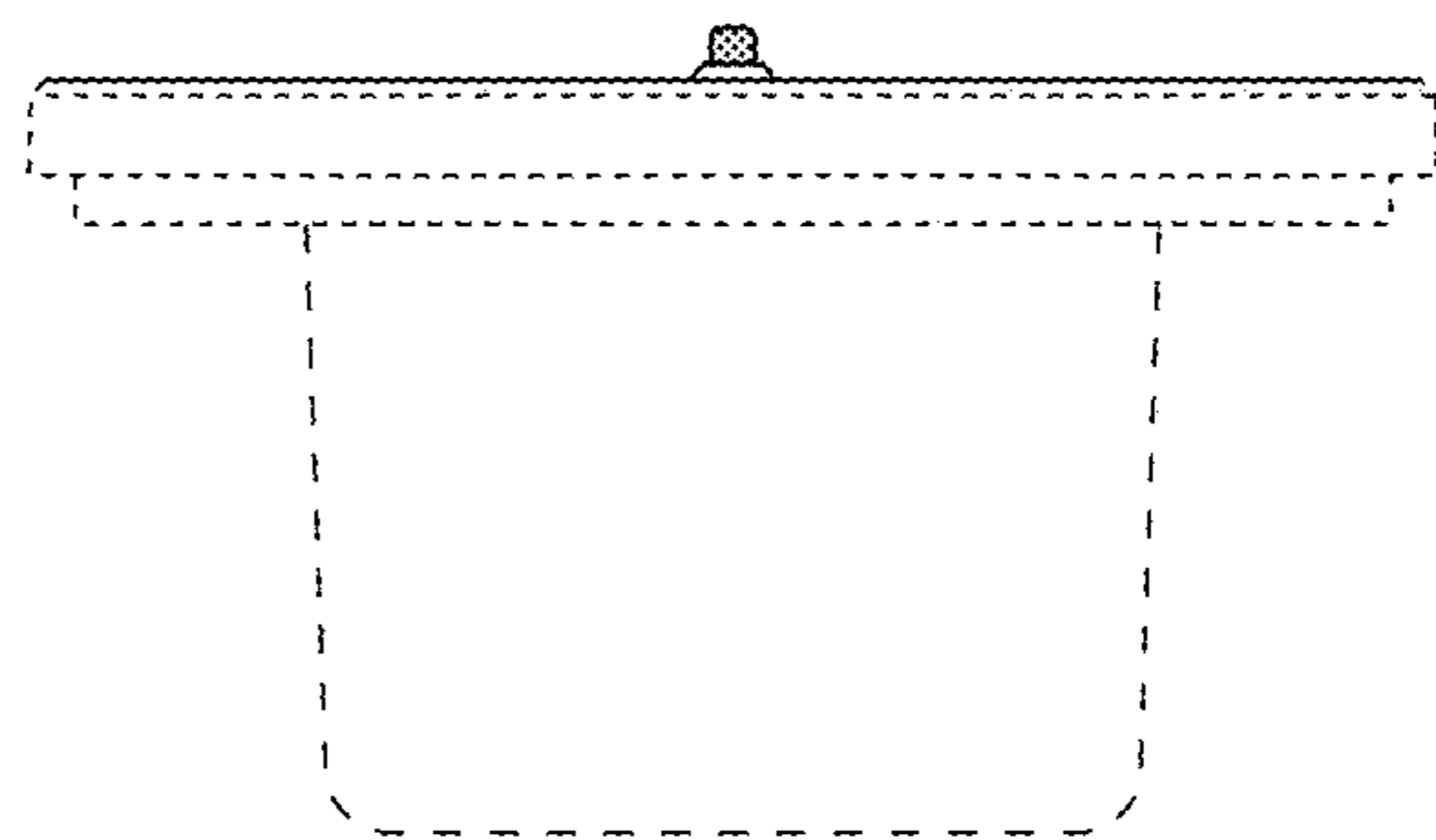
**Fig. 9**



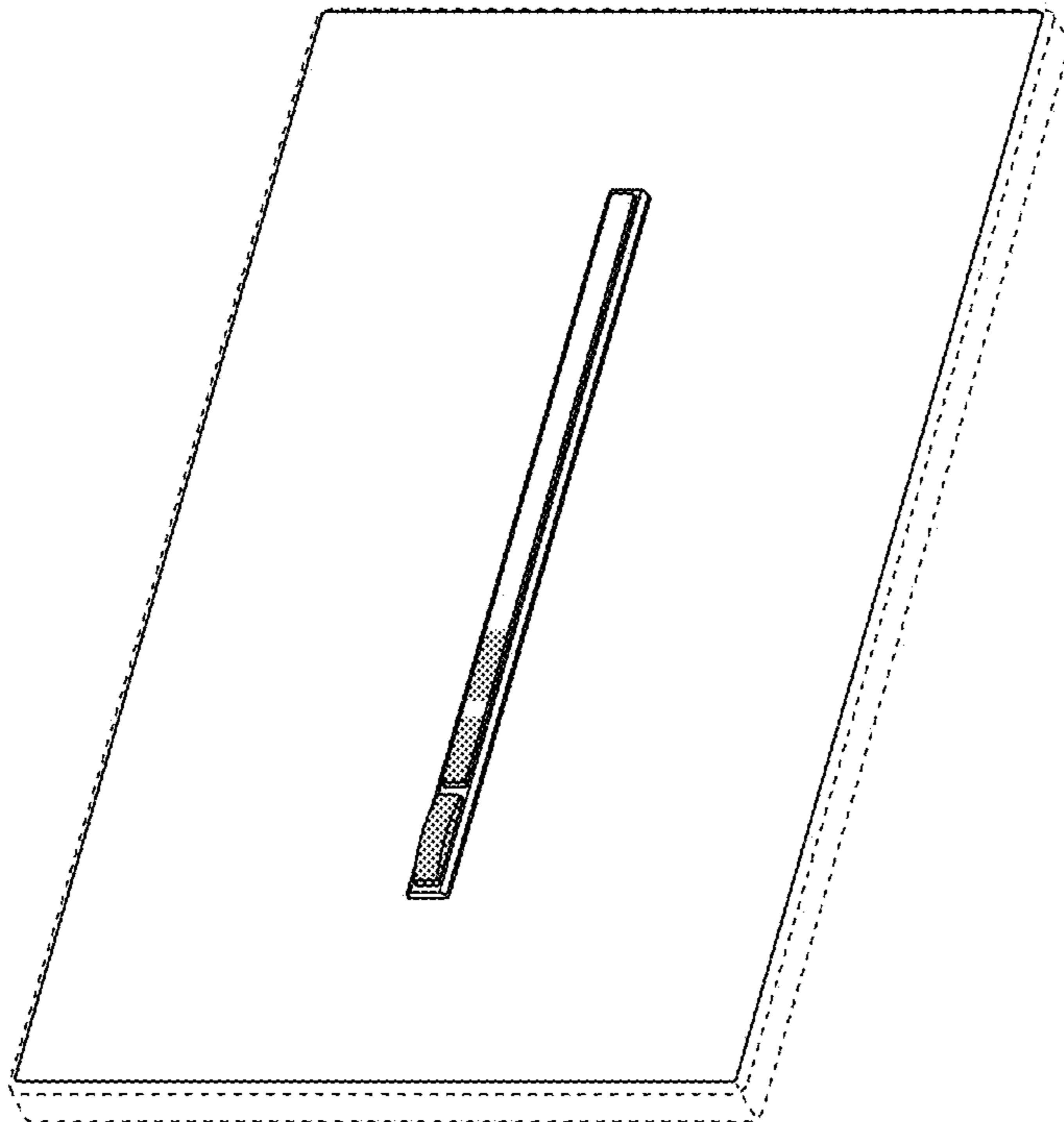
**Fig. 10**



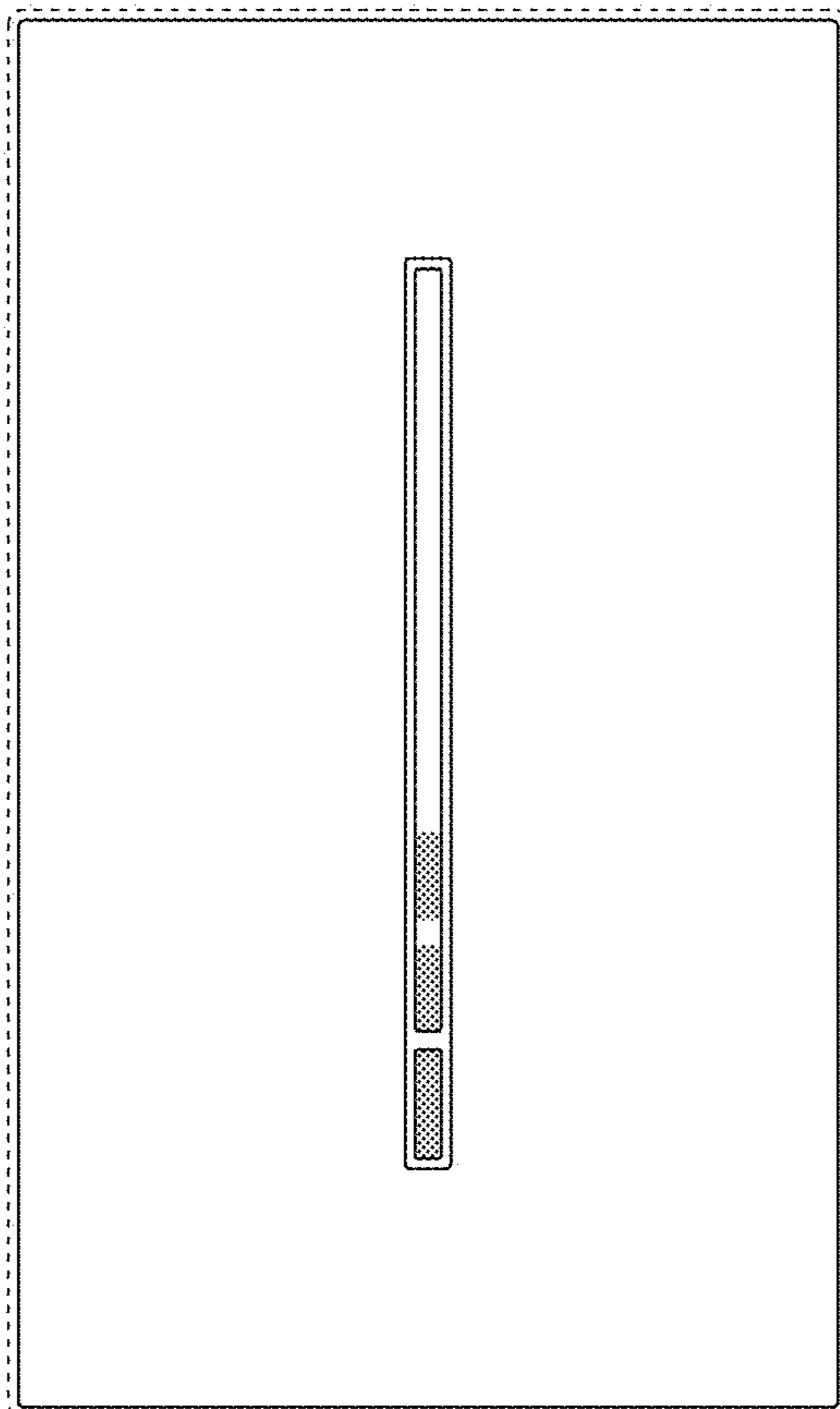
**Fig. 11**



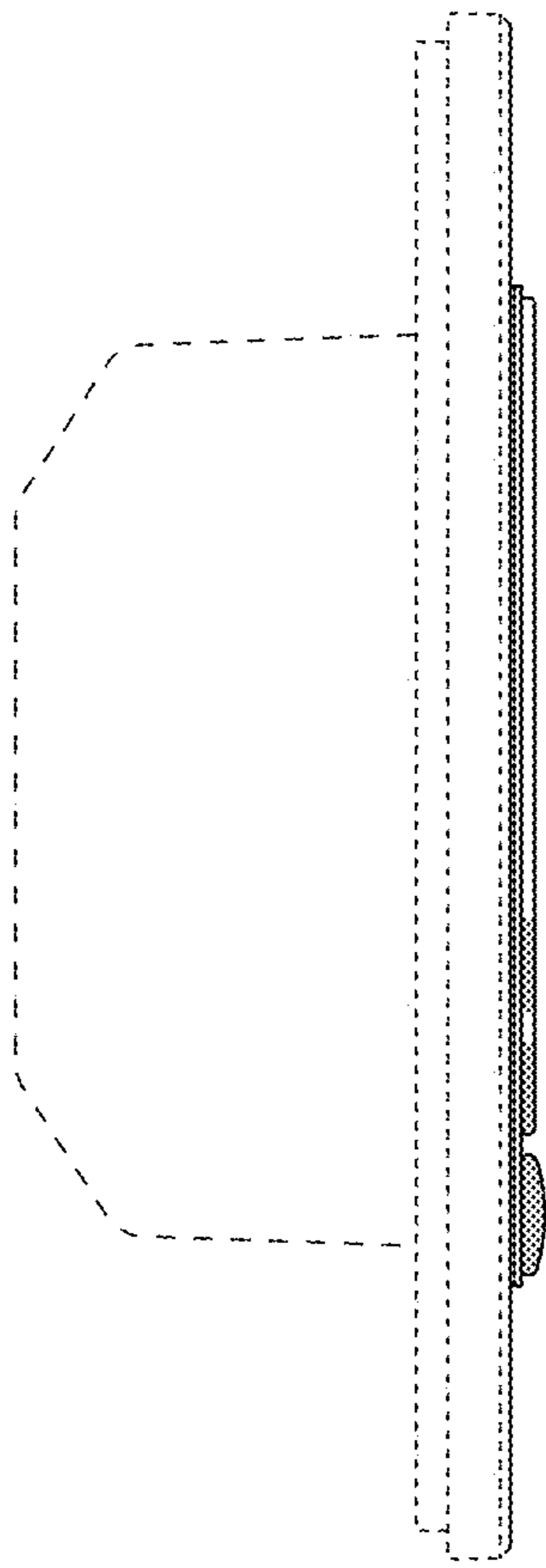
**Fig. 12**



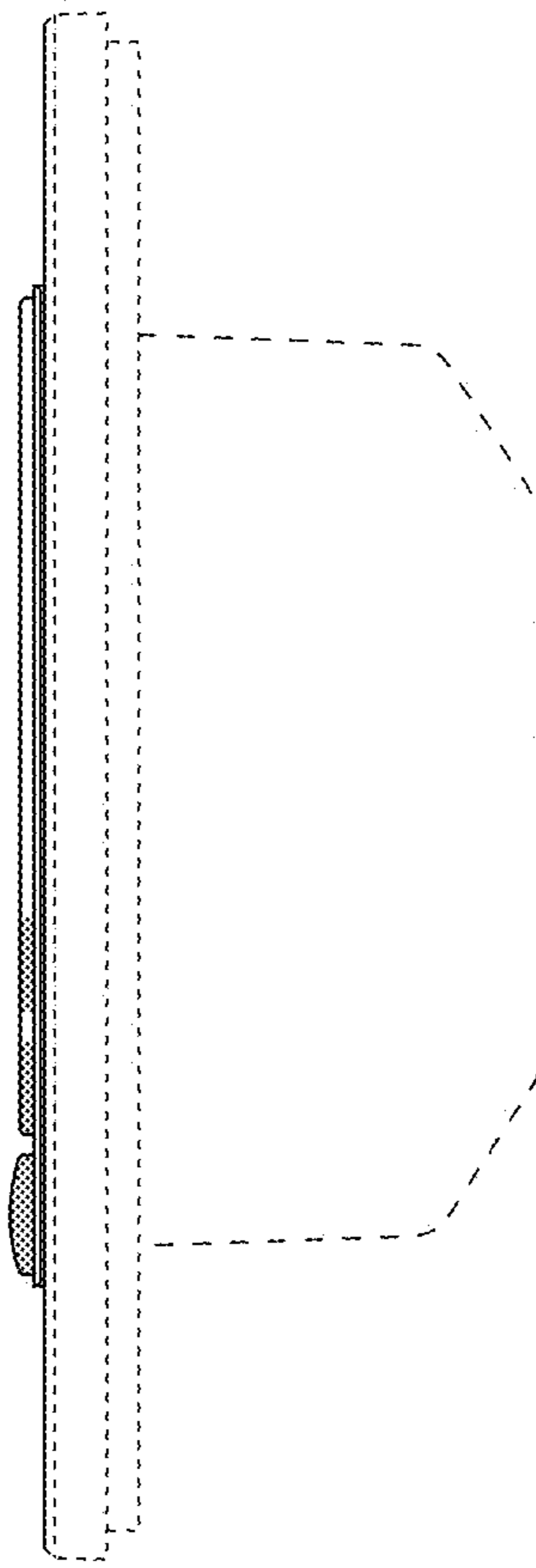
**Fig. 13**



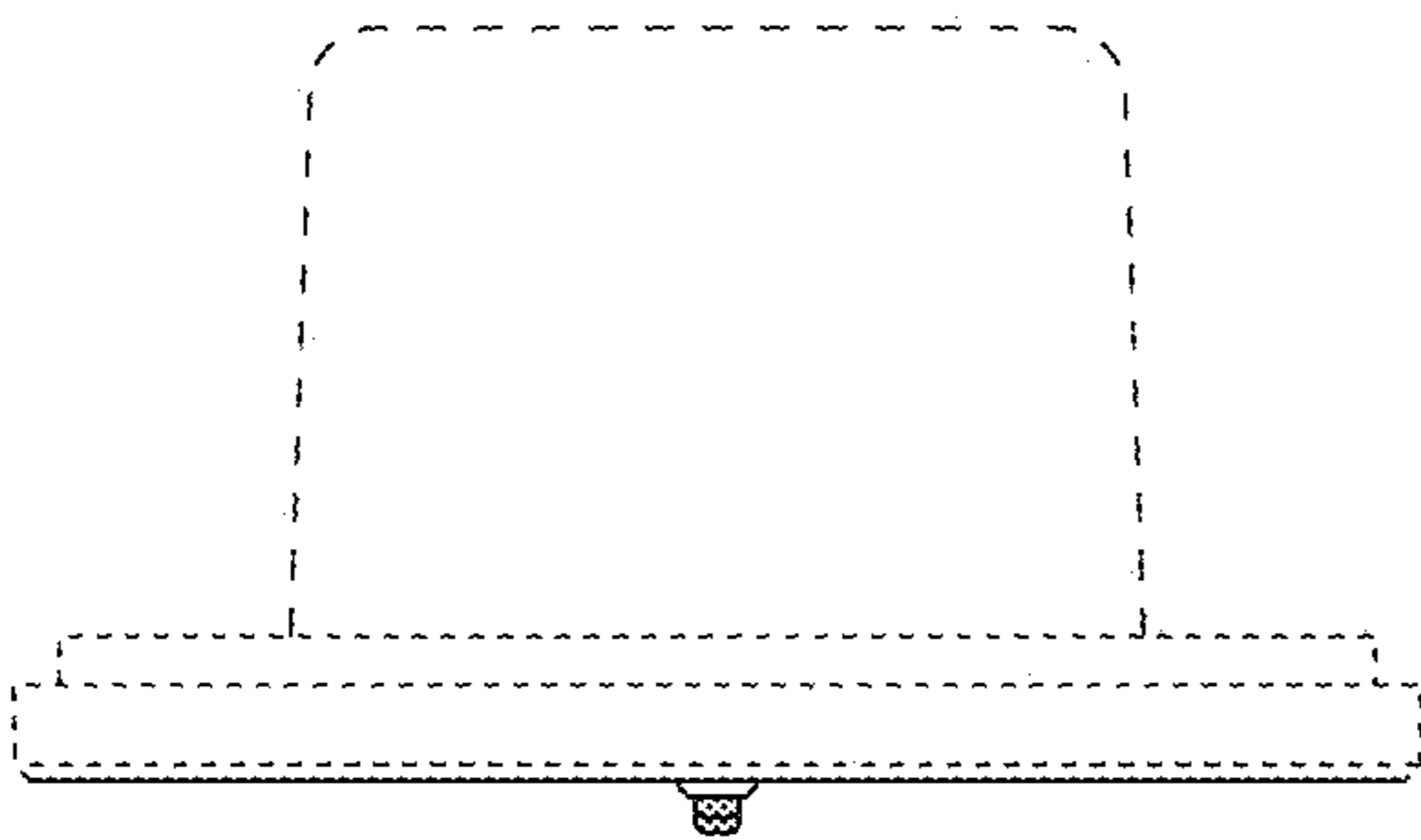
**Fig. 14**



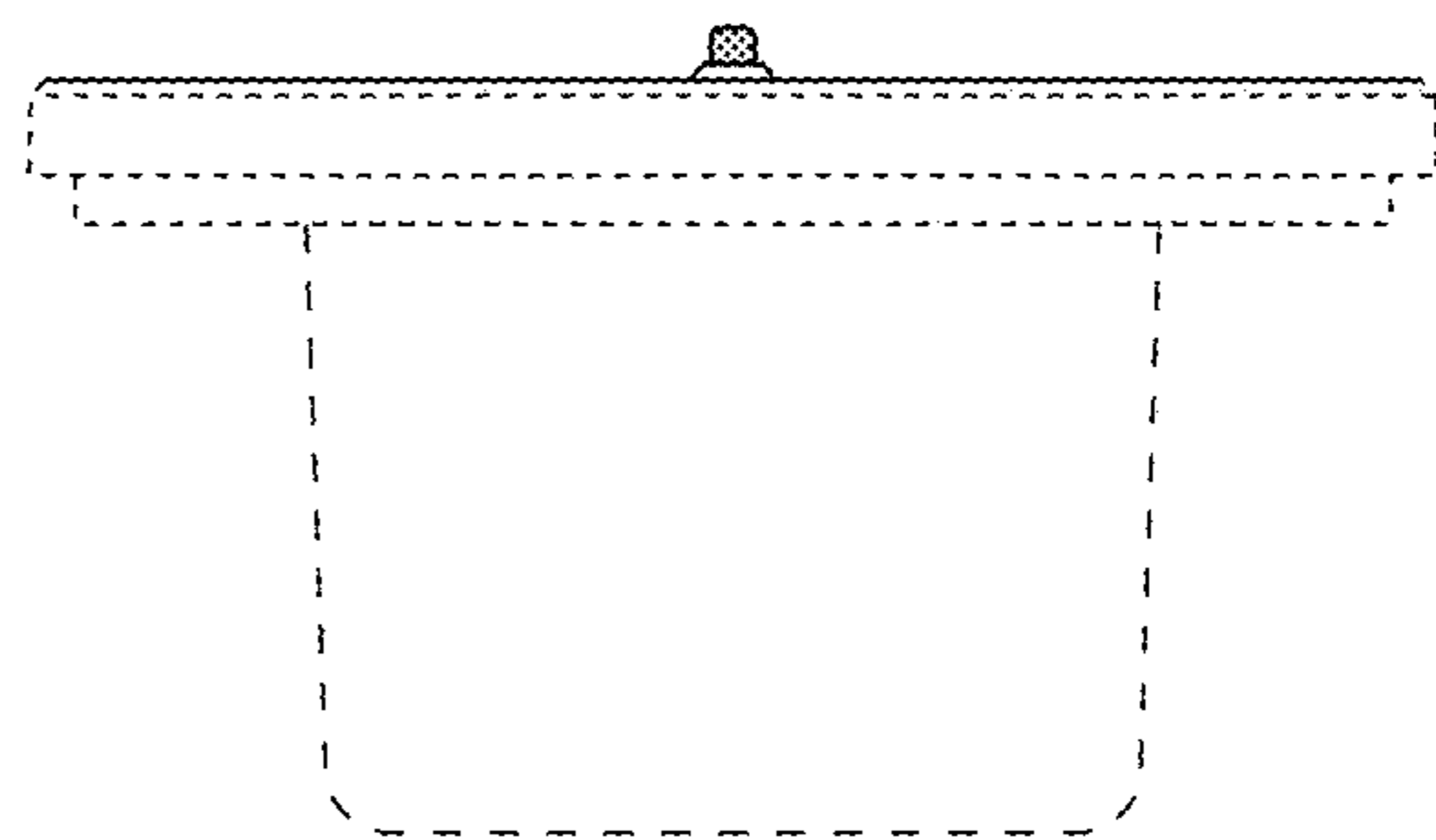
**Fig. 15**



**Fig. 16**

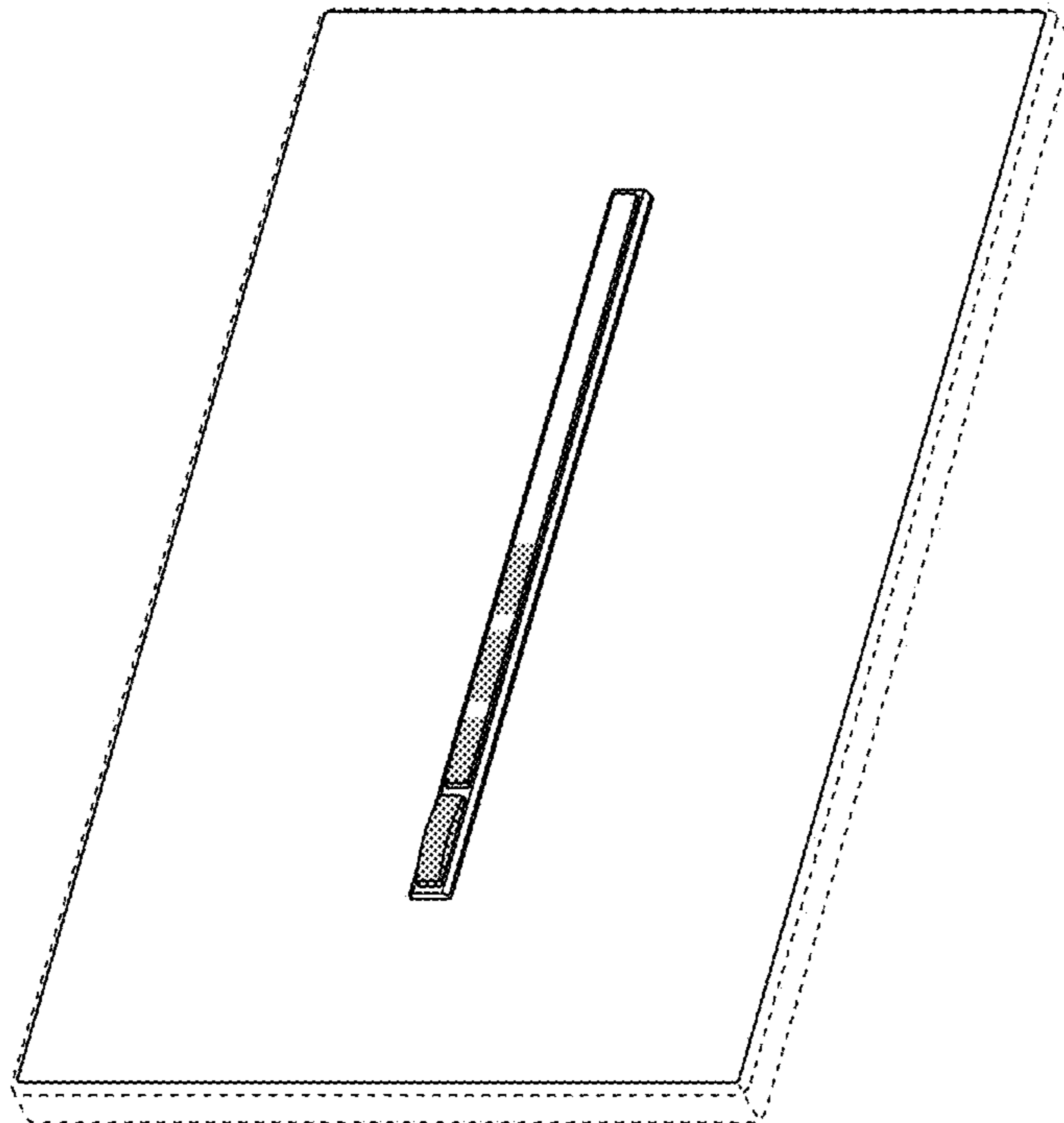


**Fig. 17**

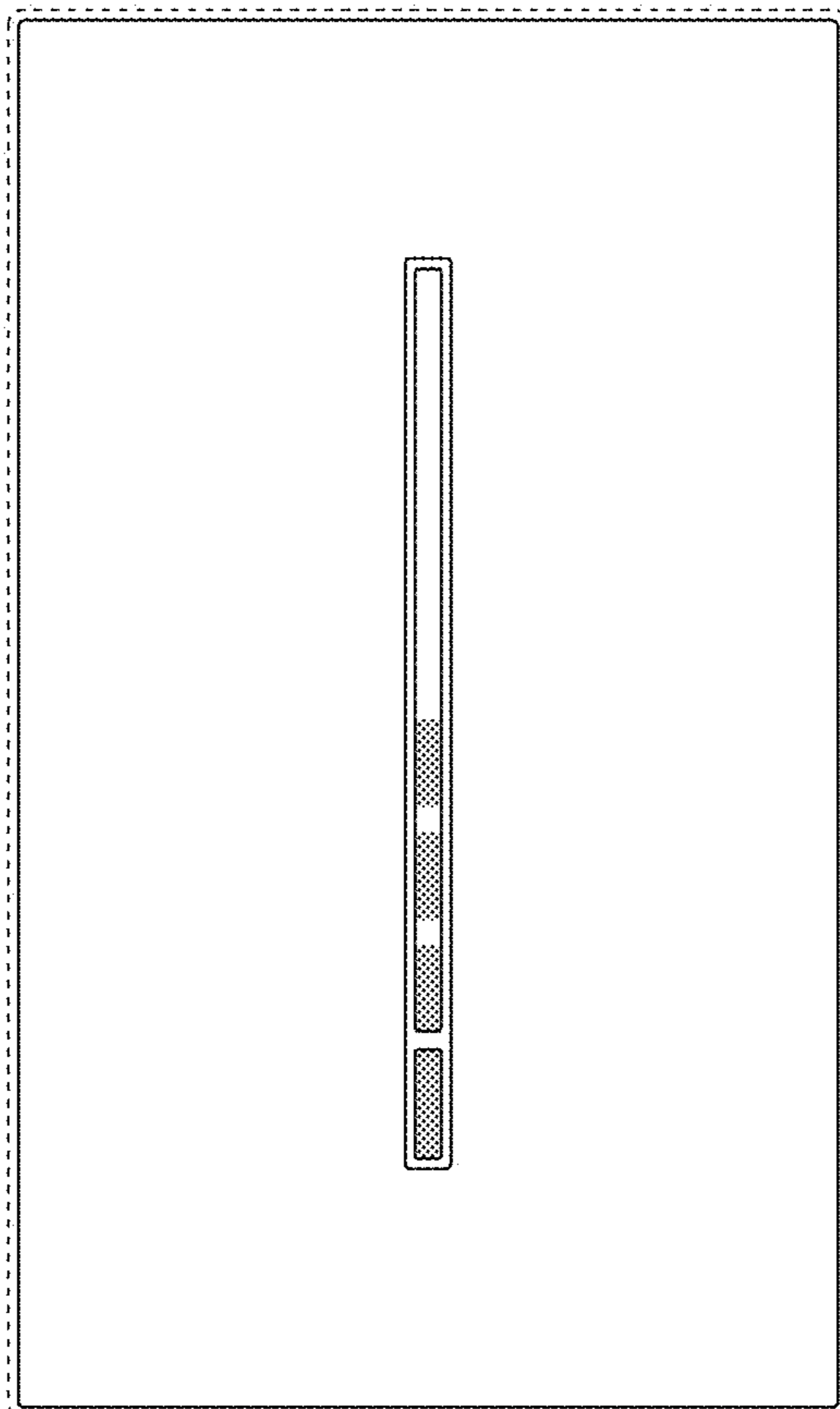


**Fig. 18**

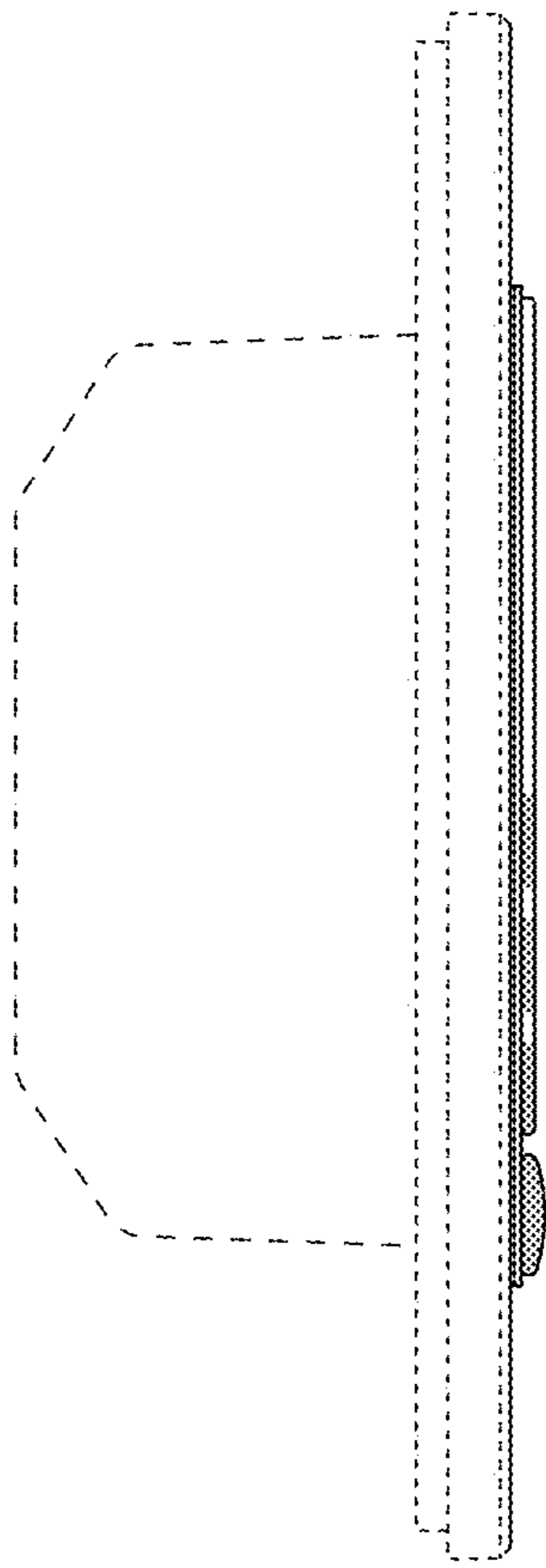




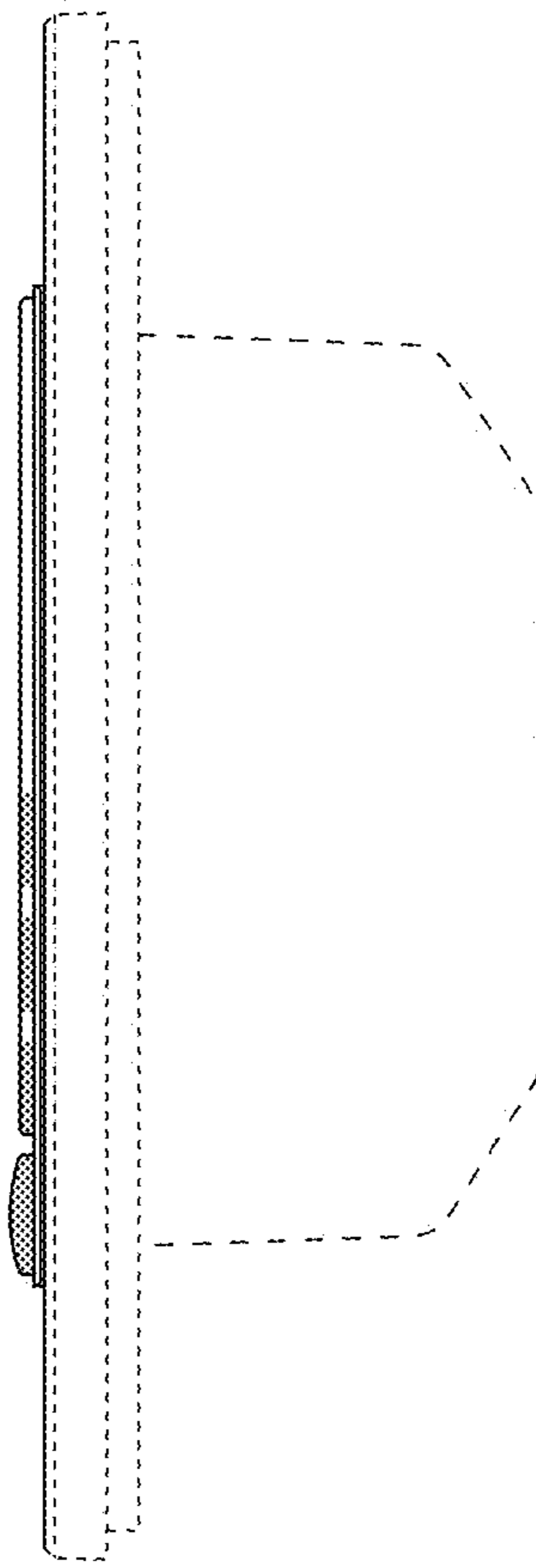
**Fig. 19**



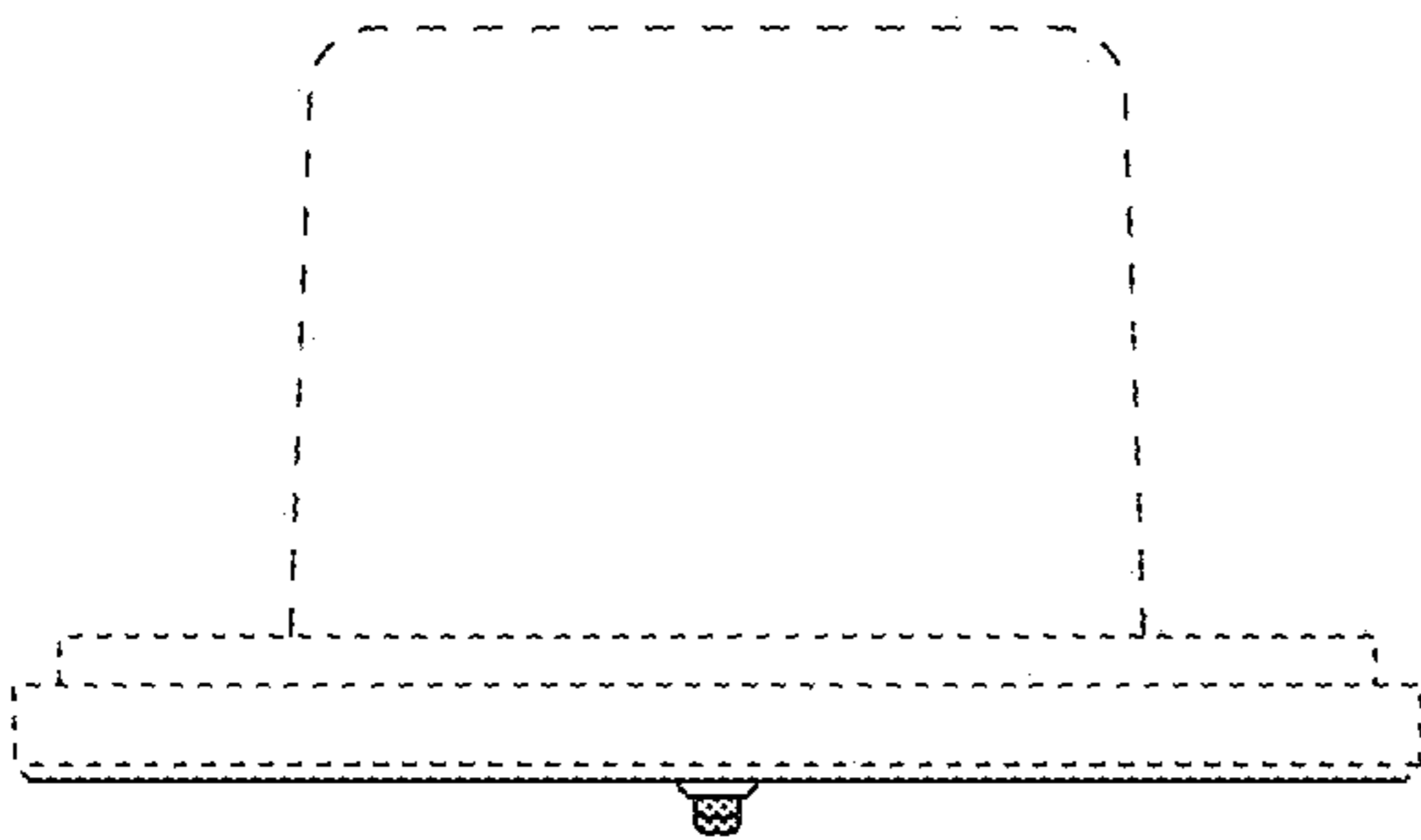
**Fig. 20**



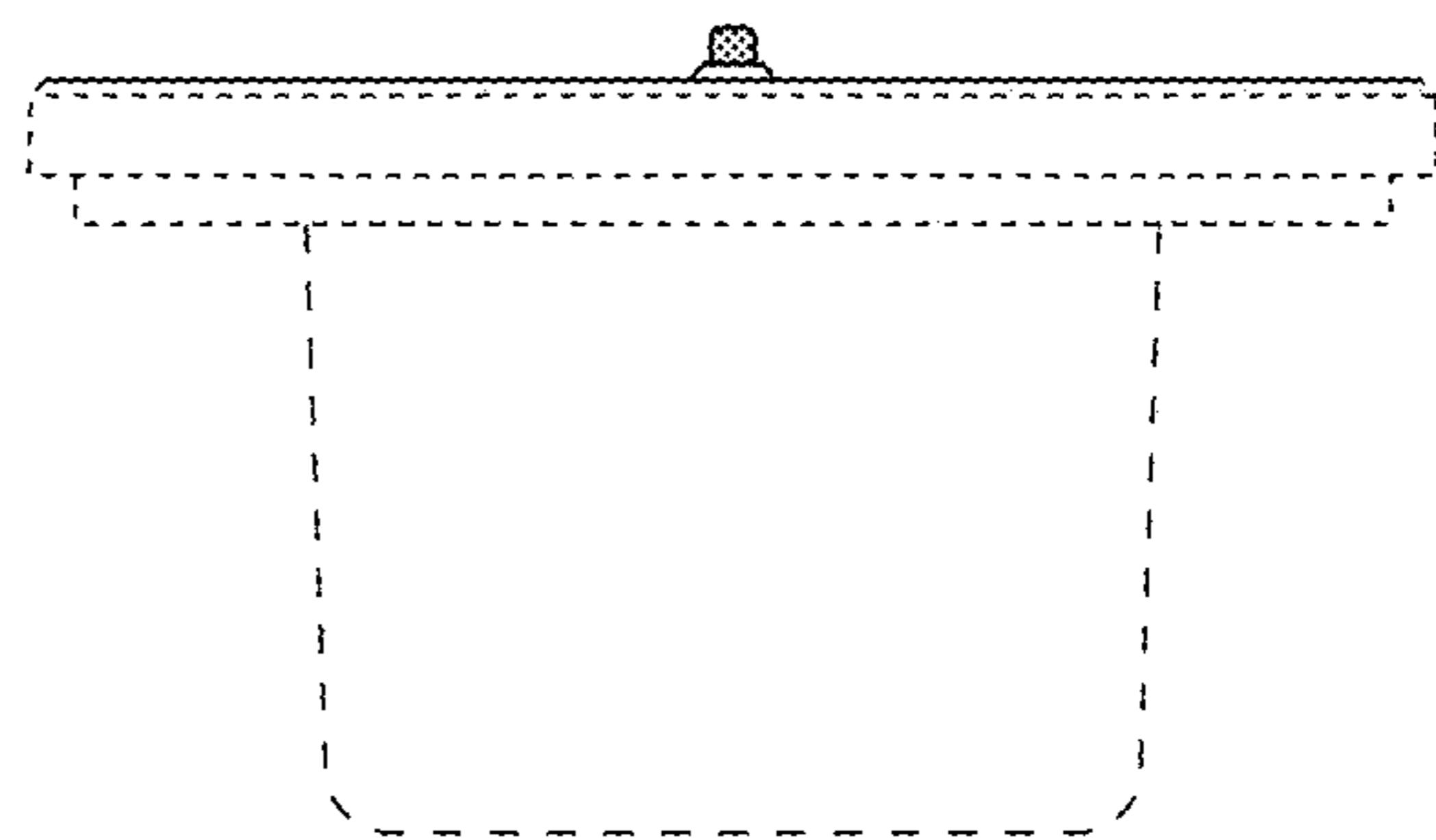
**Fig. 21**



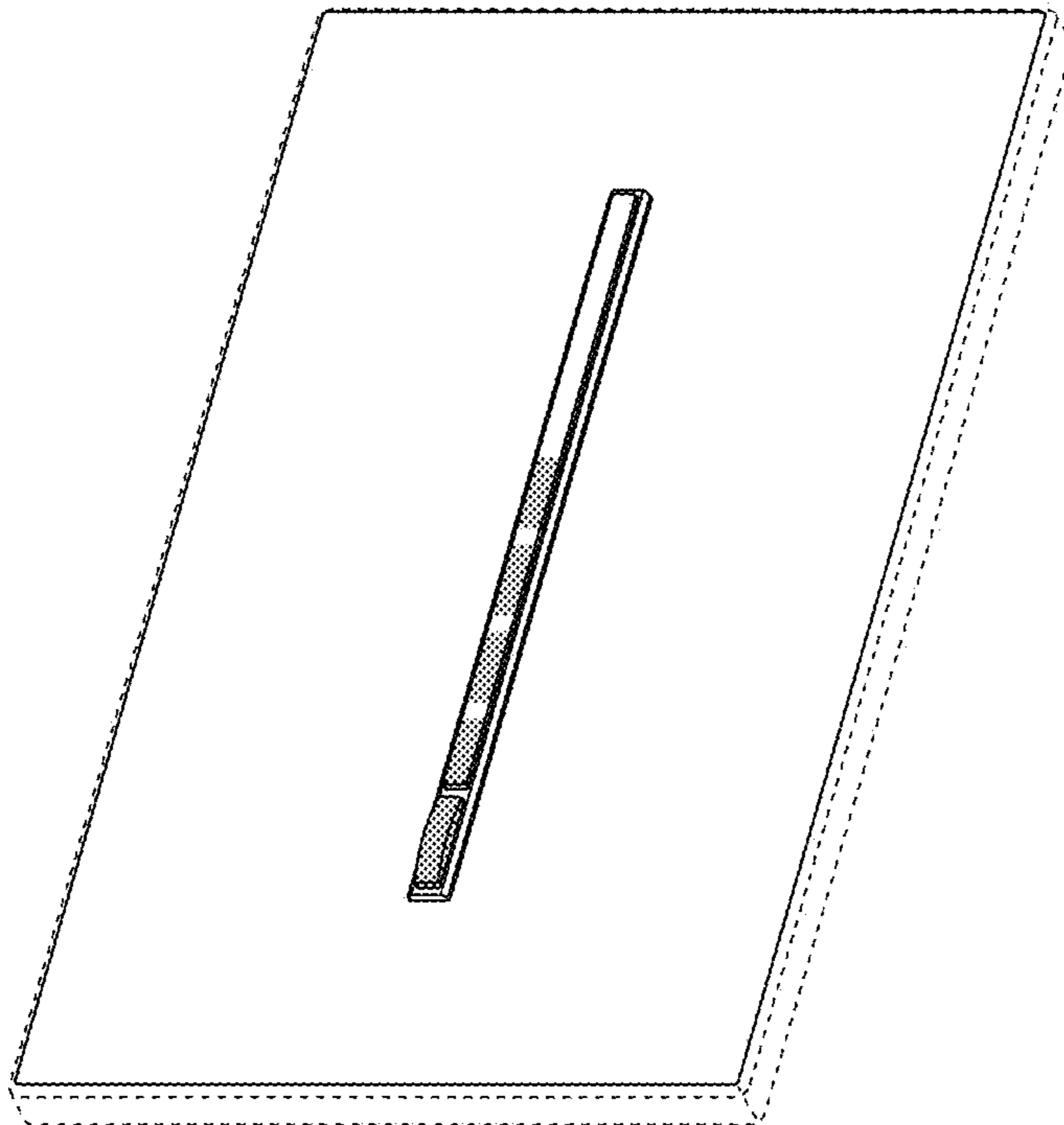
**Fig. 22**



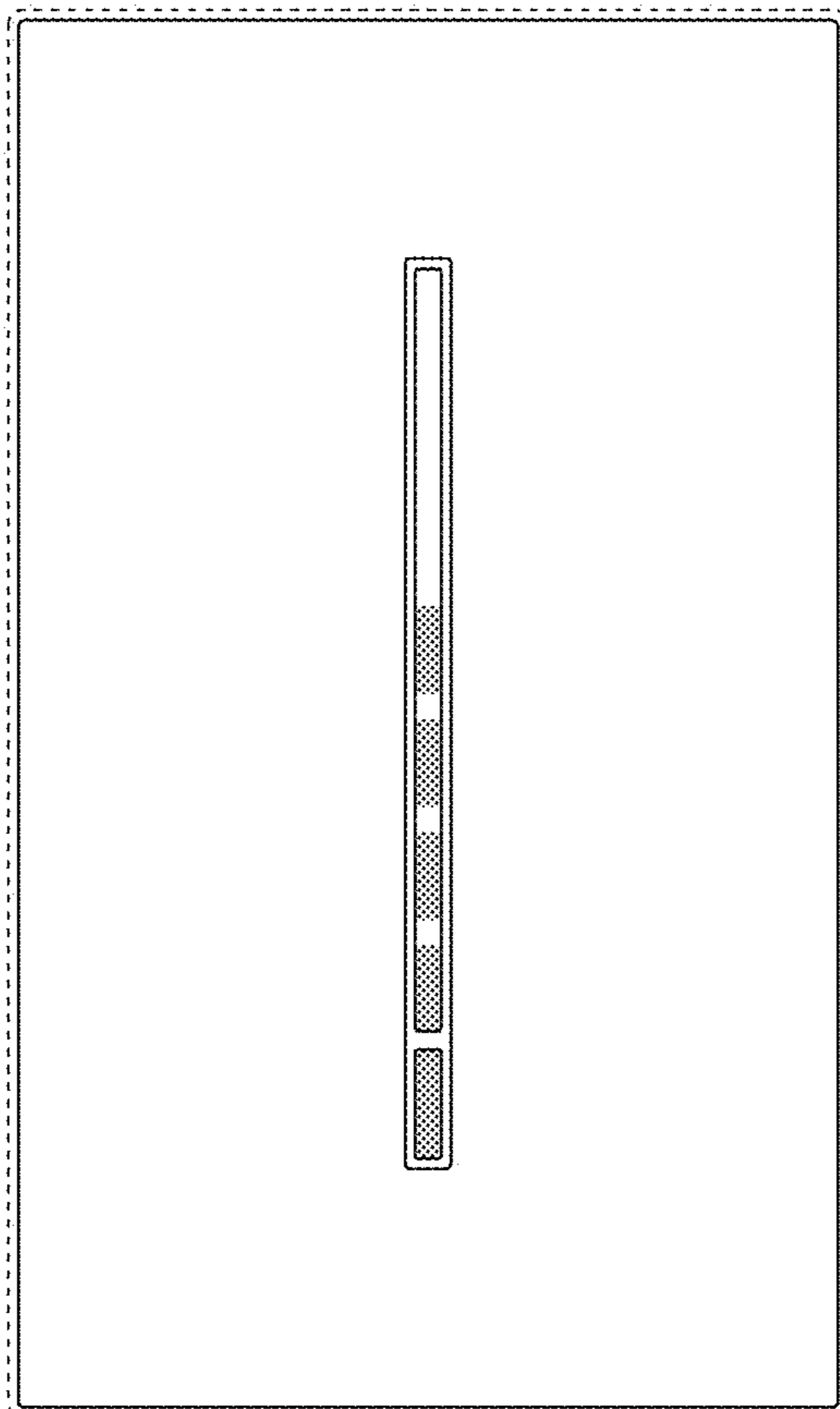
**Fig. 23**



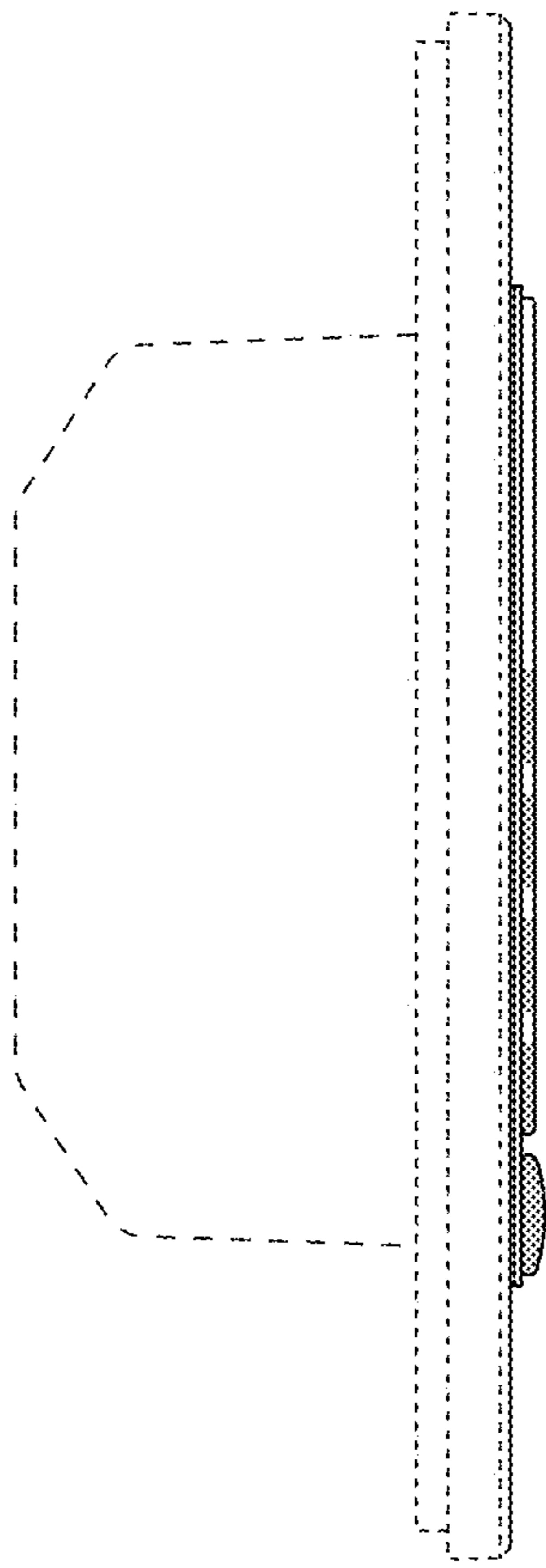
**Fig. 24**



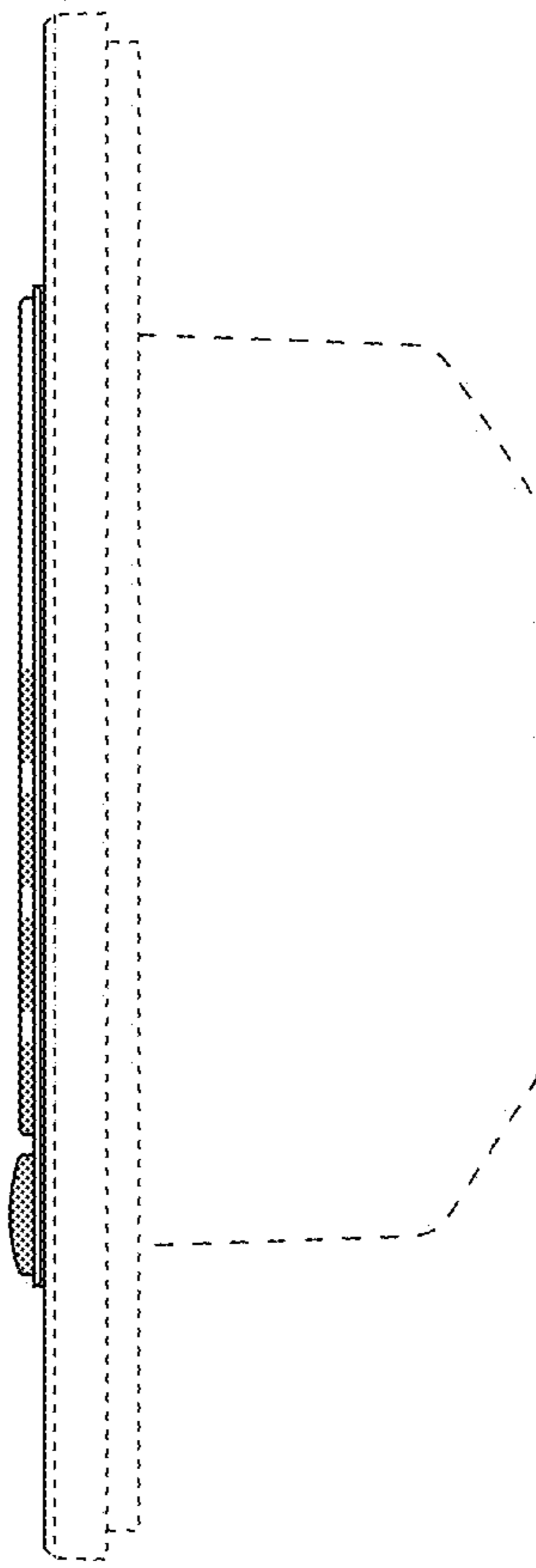
**Fig. 25**



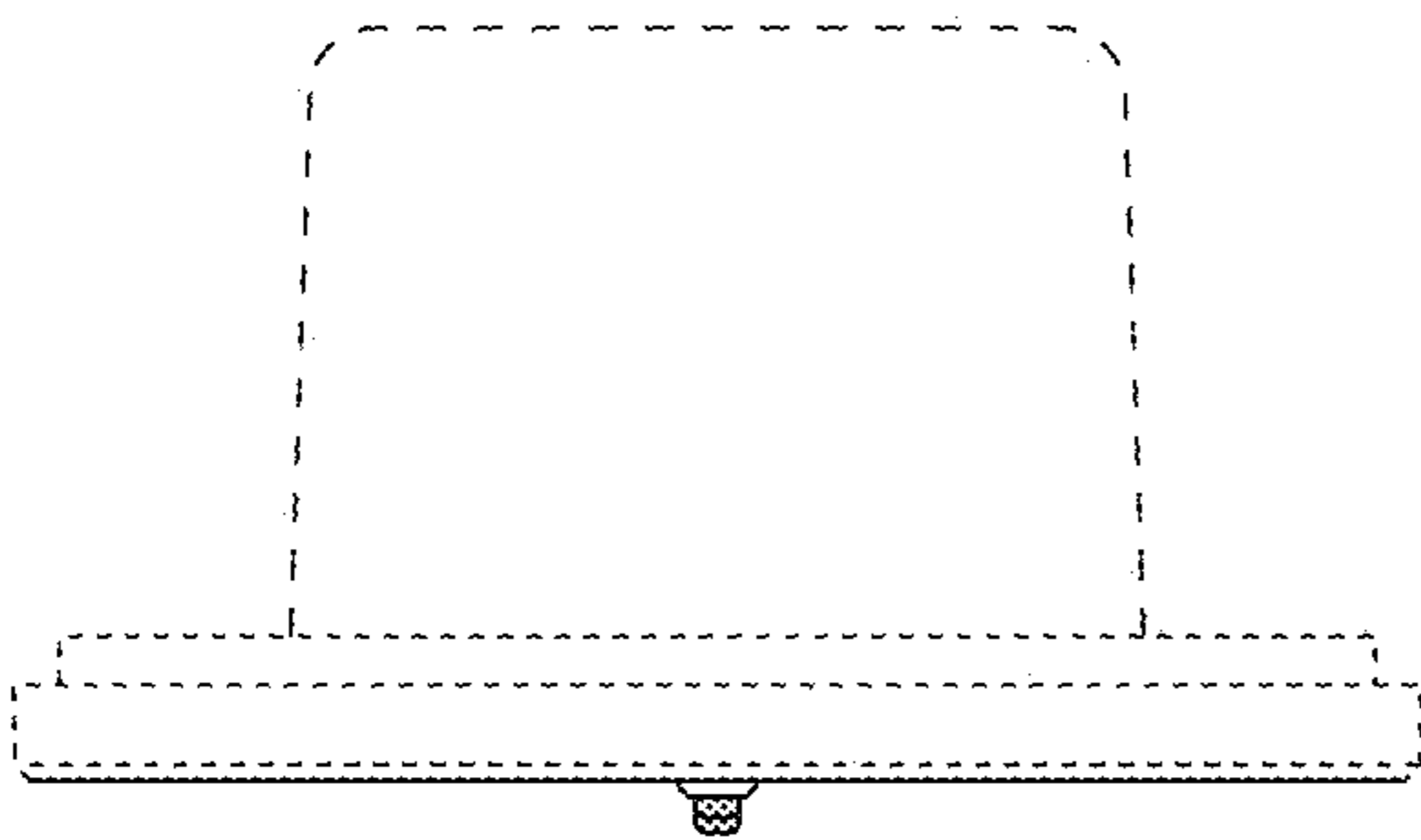
**Fig. 26**



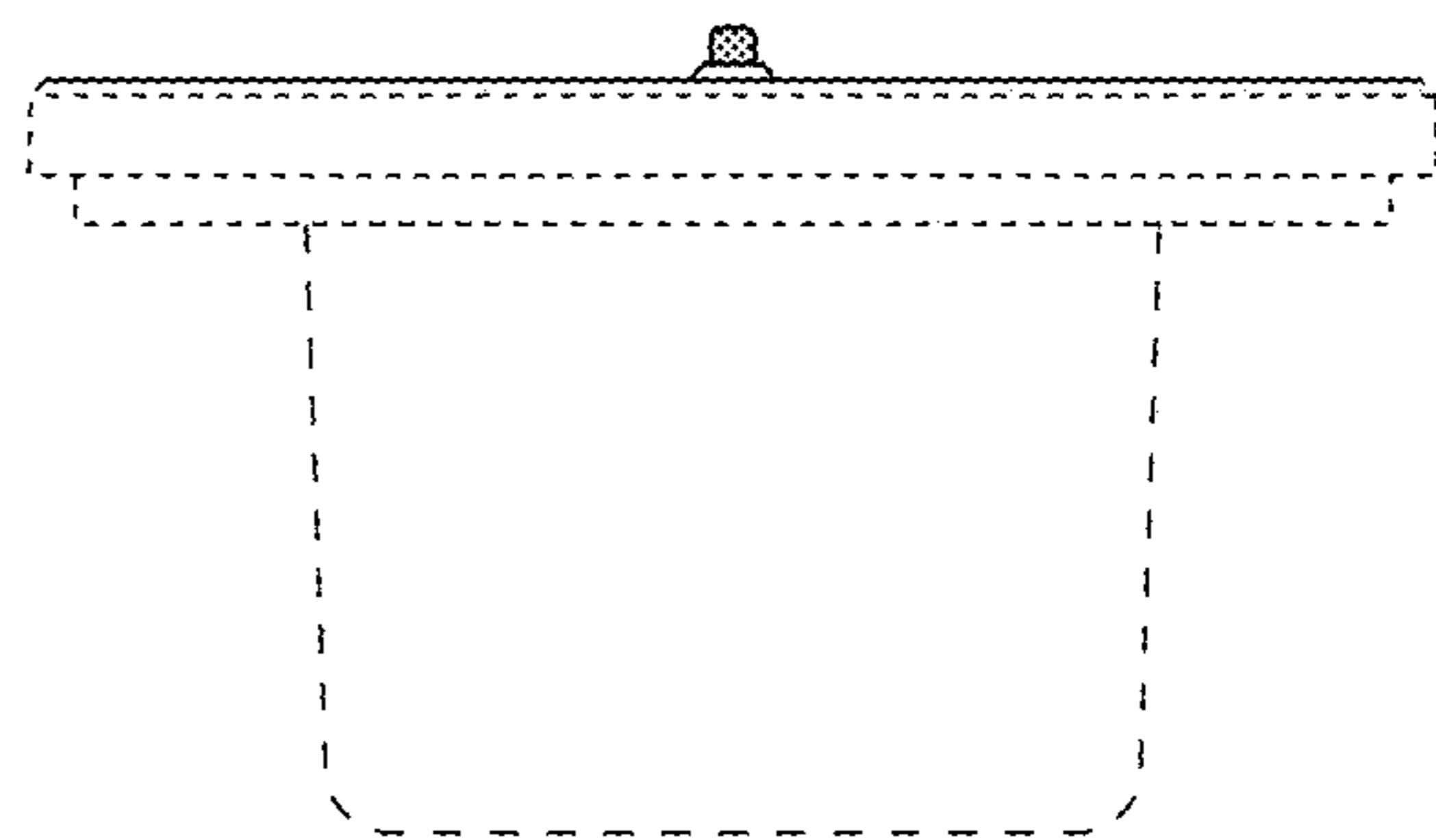
**Fig. 27**



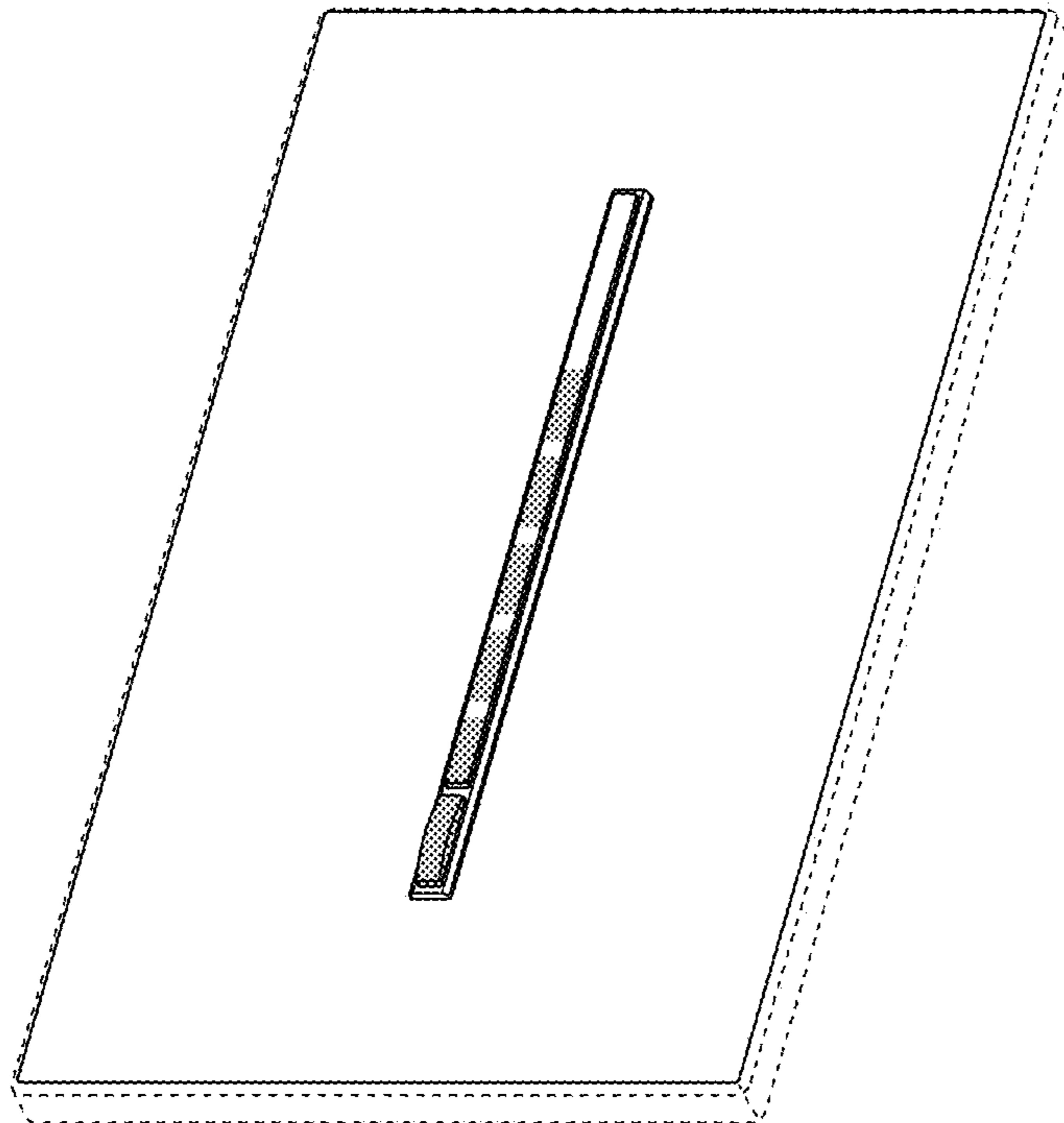
**Fig. 28**



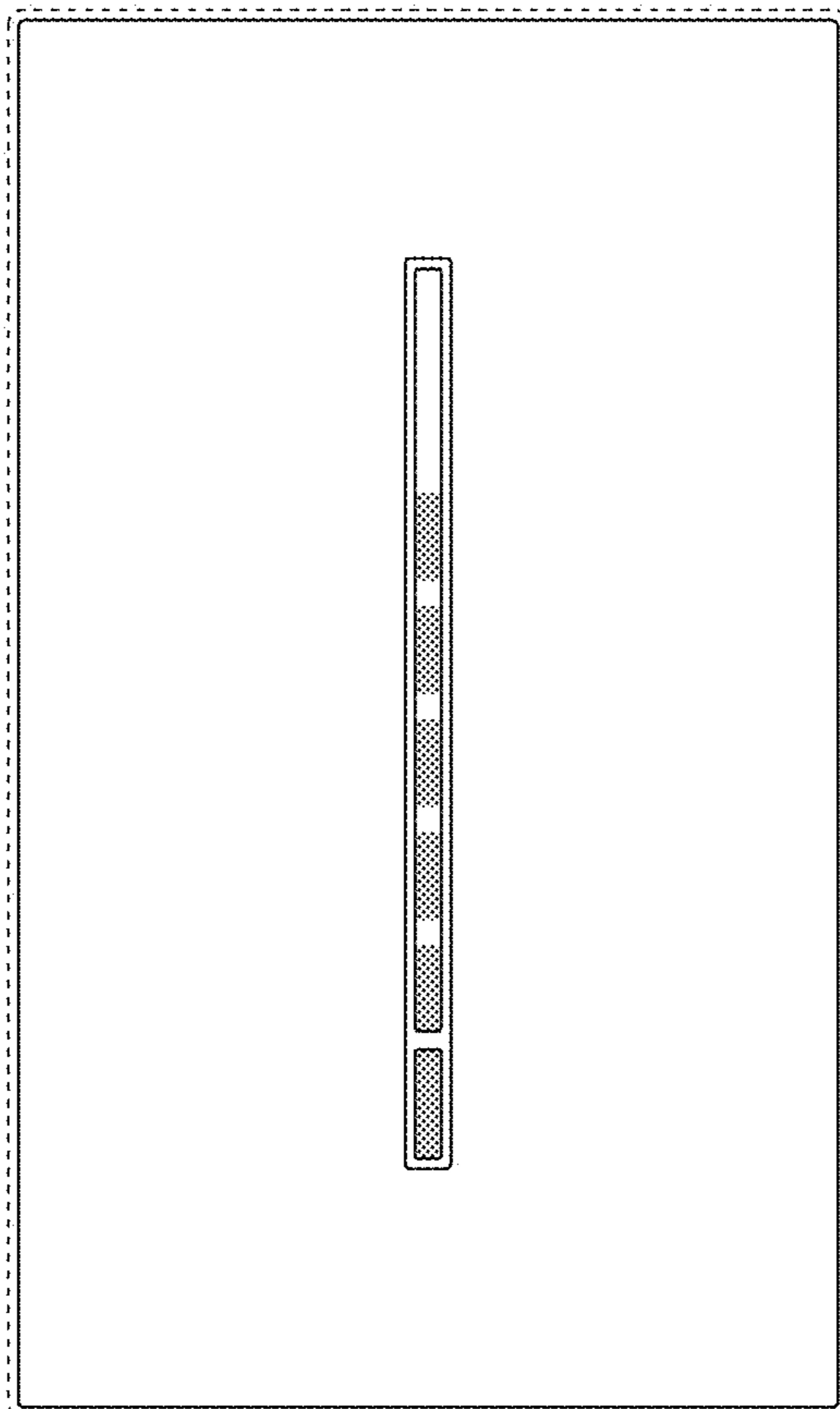
**Fig. 29**



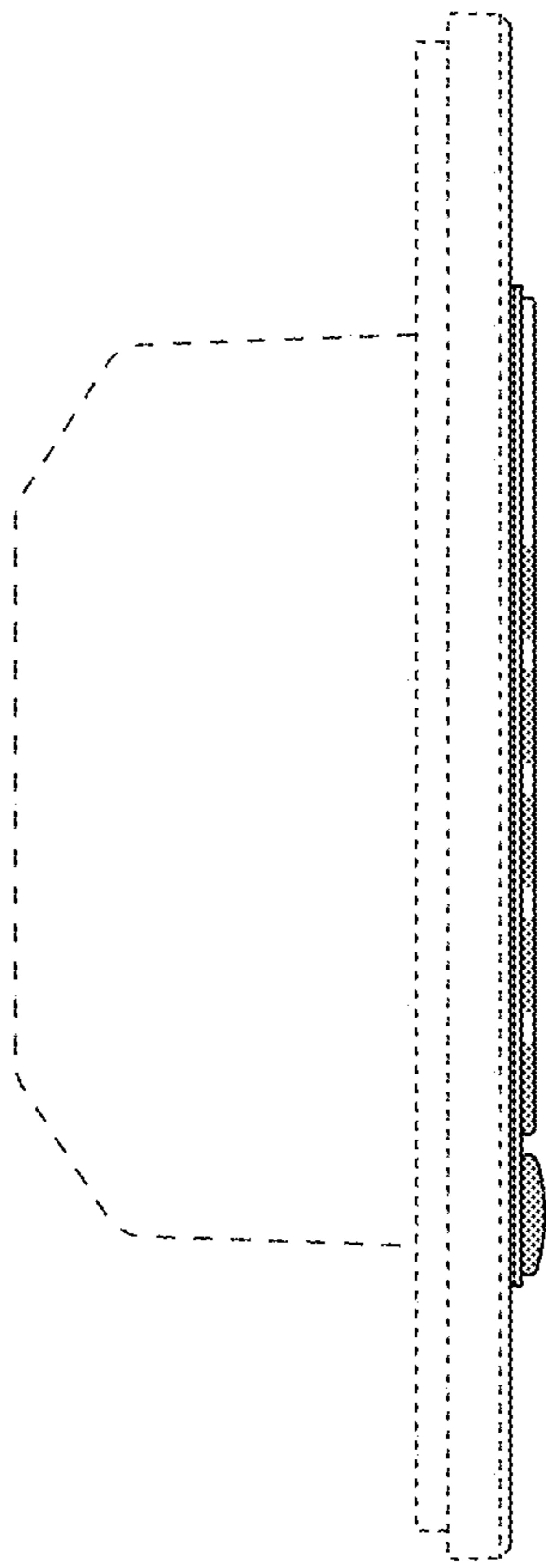
**Fig. 30**



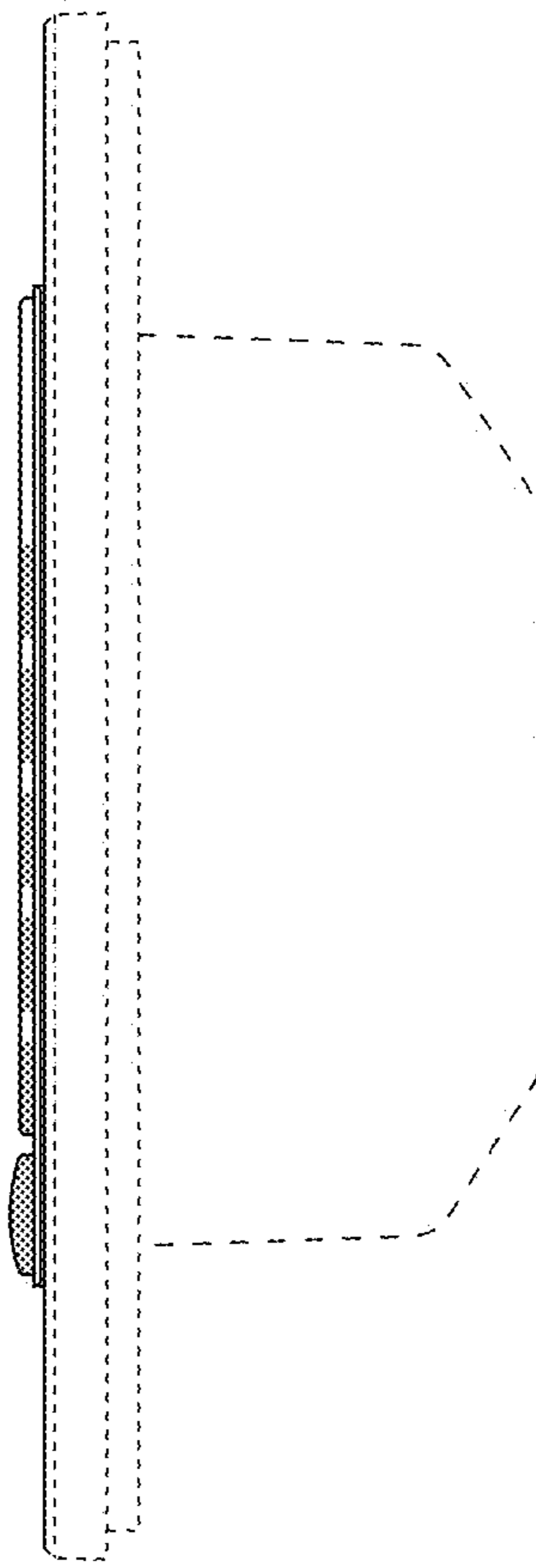
**Fig. 31**



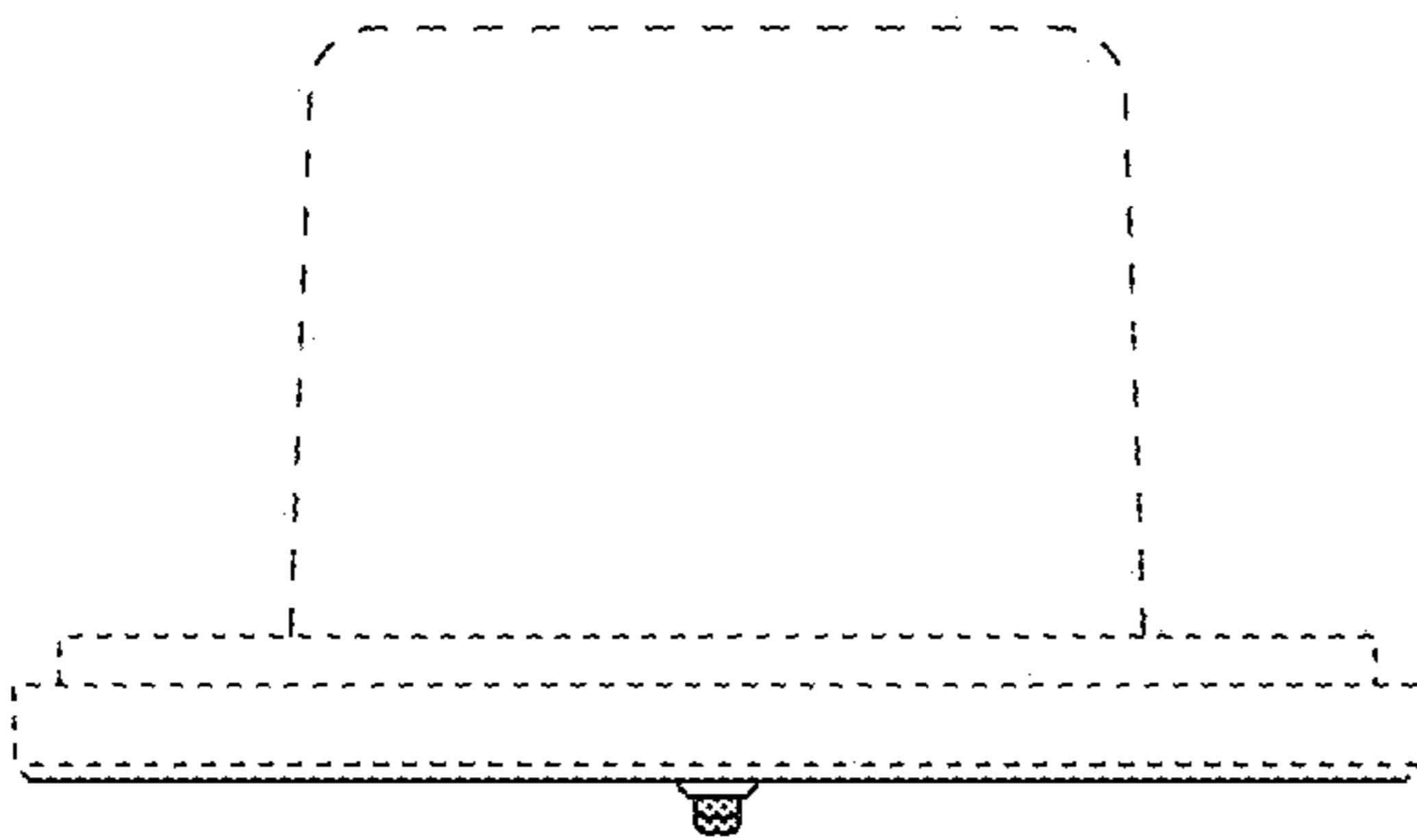
**Fig. 32**



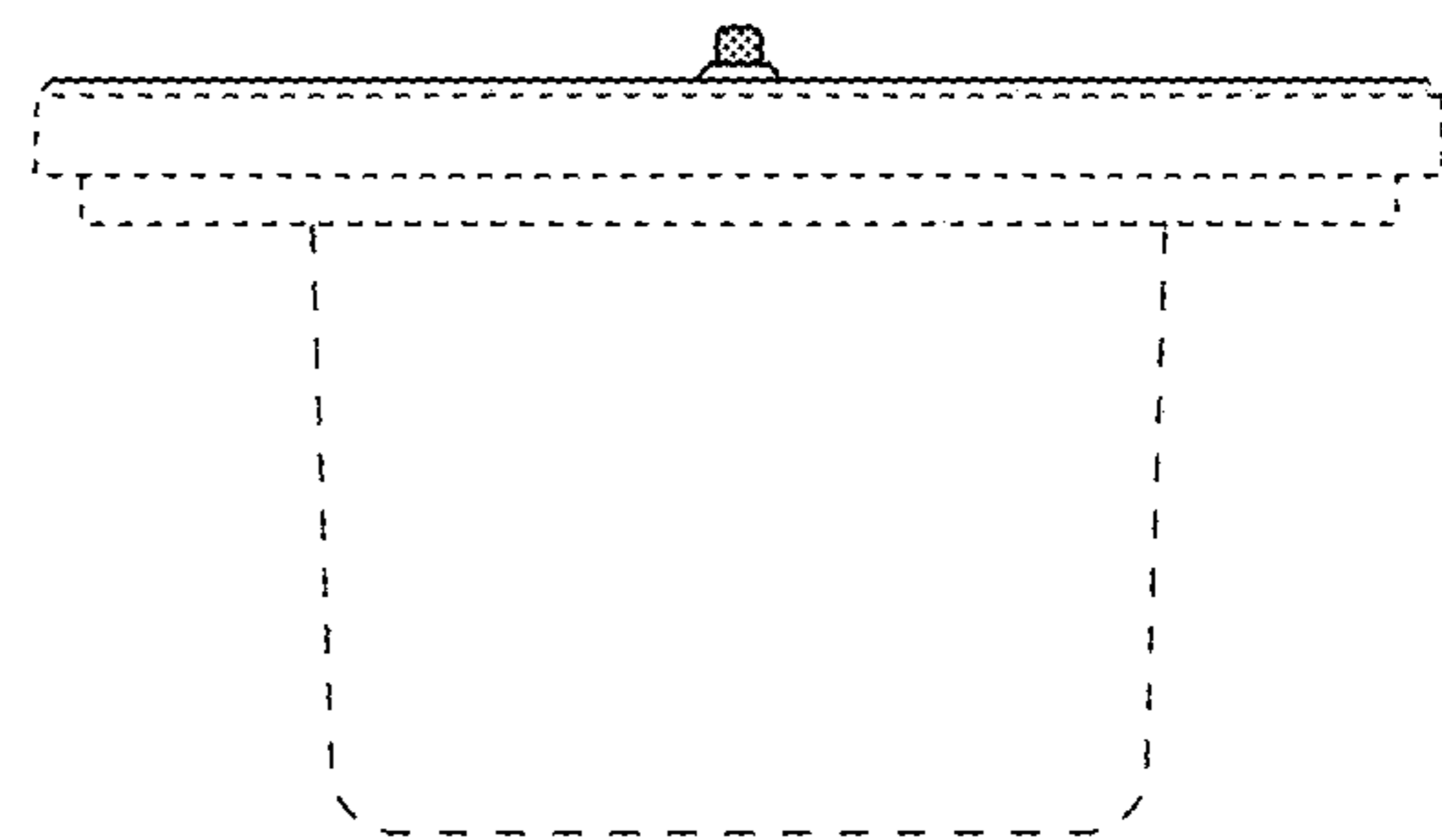
**Fig. 33**



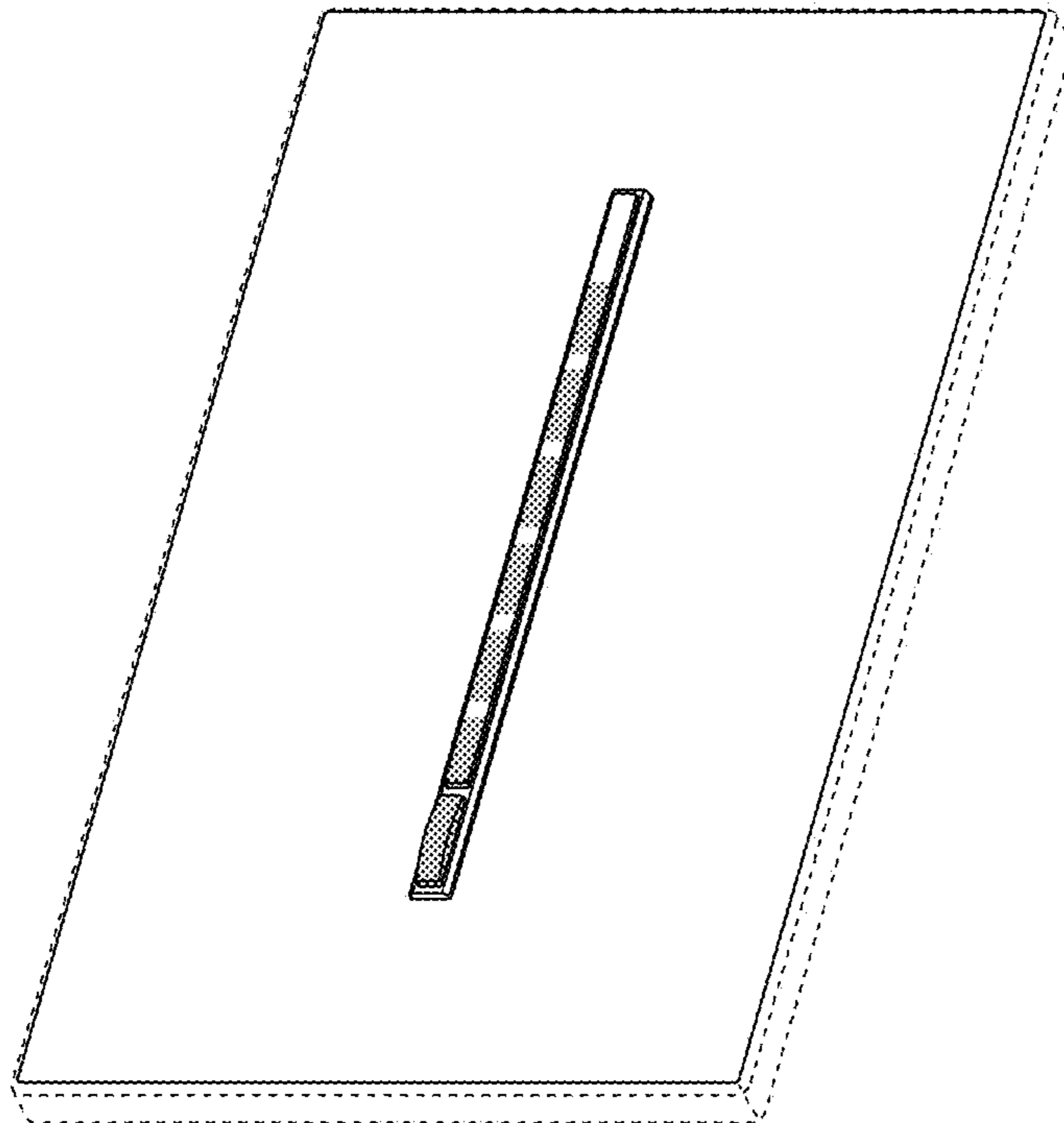
**Fig. 34**



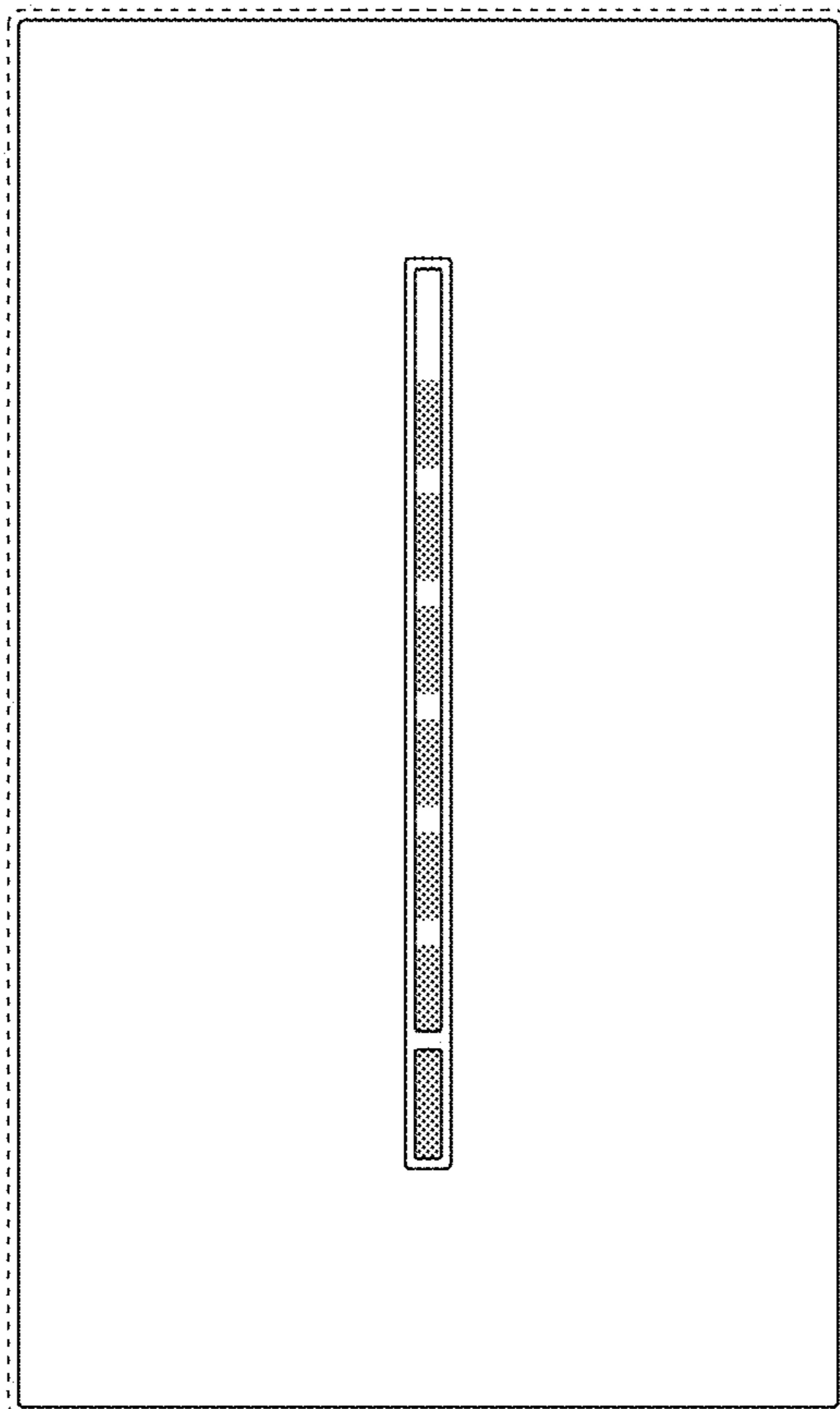
**Fig. 35**



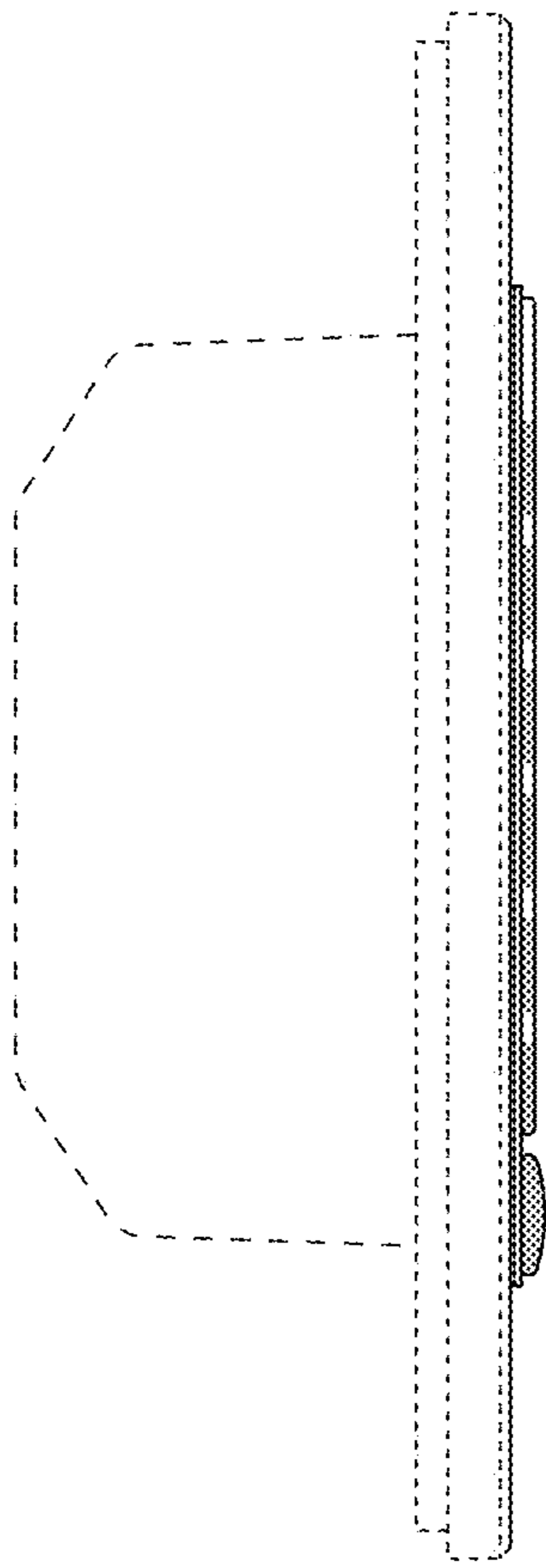
**Fig. 36**



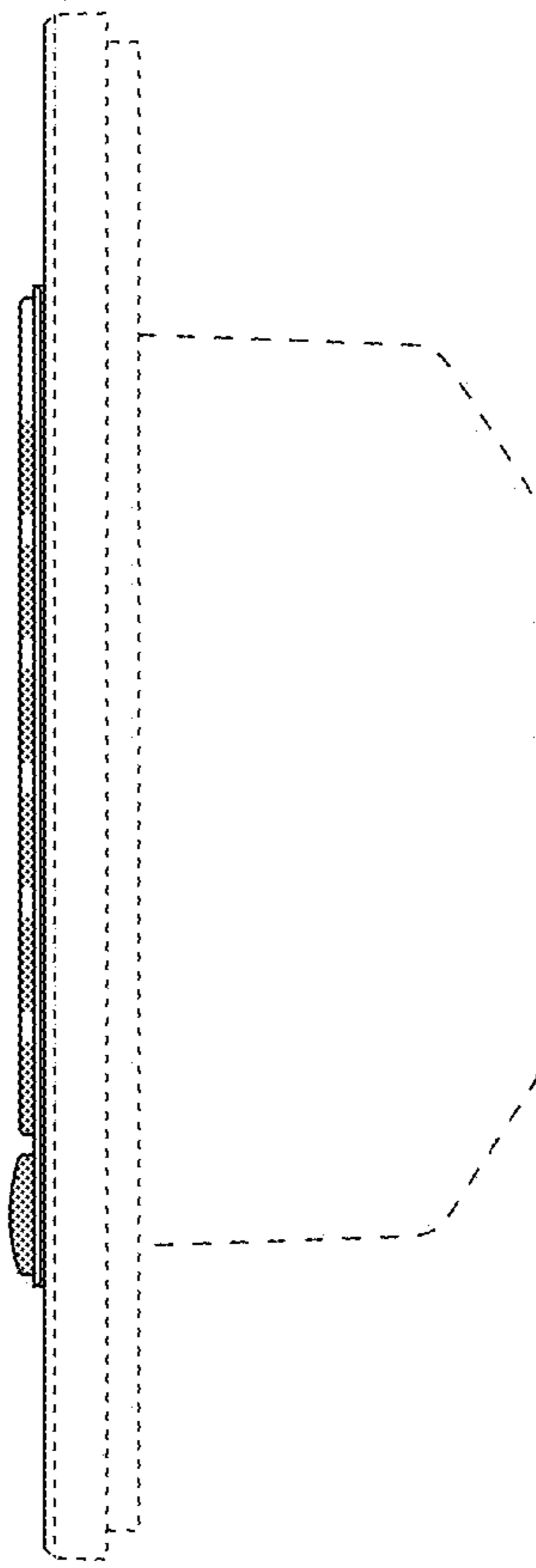
**Fig. 37**



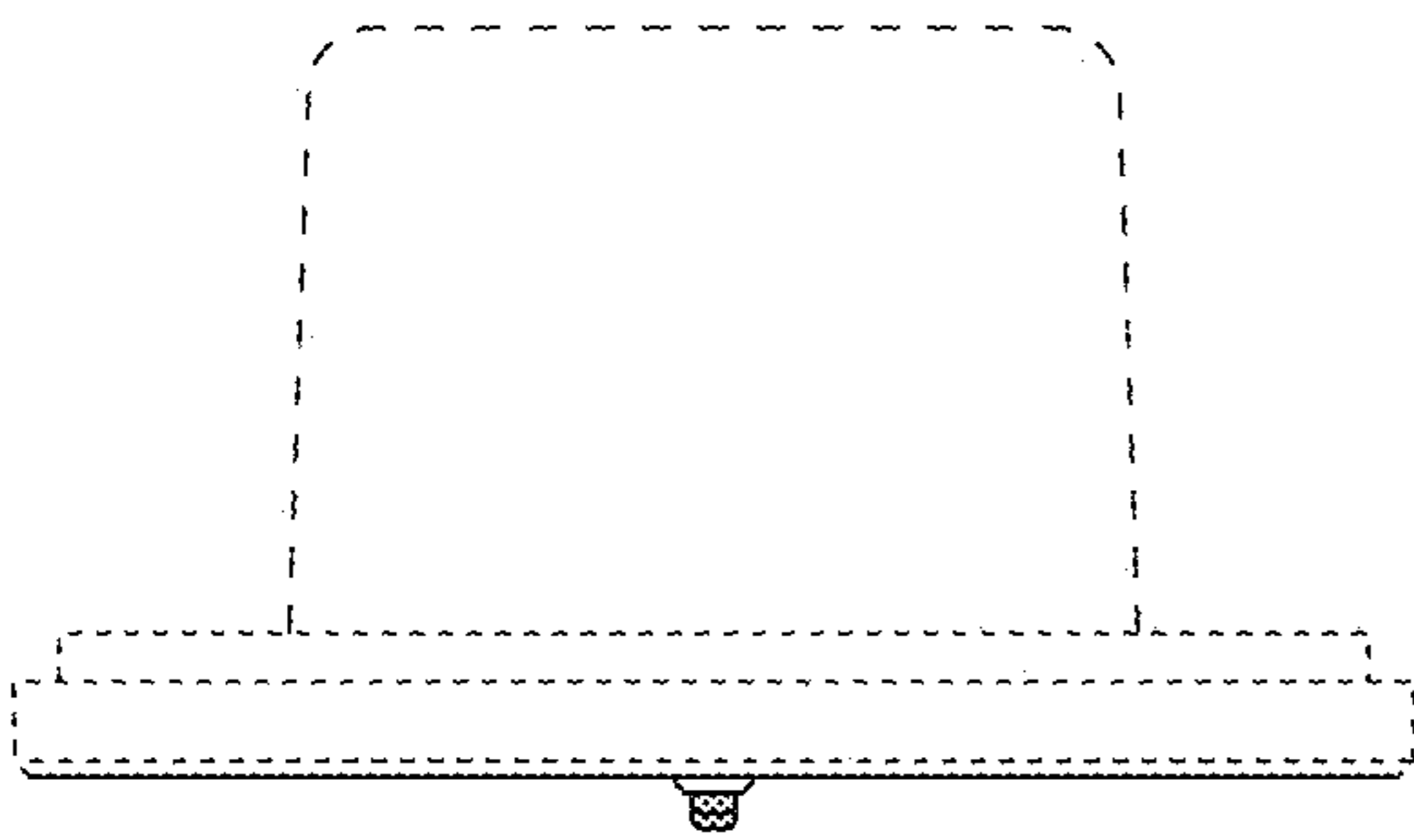
**Fig. 38**



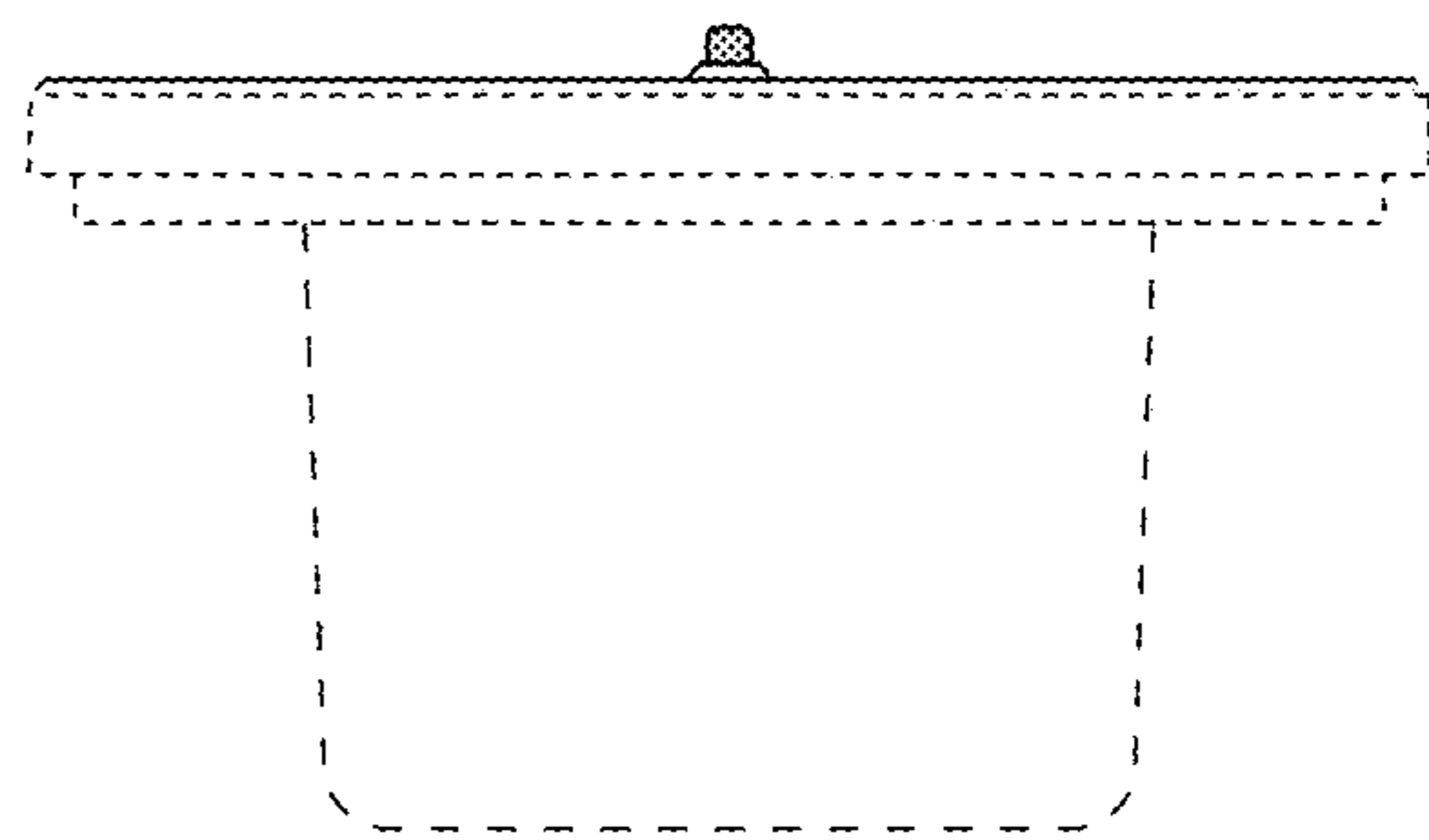
**Fig. 39**



**Fig. 40**

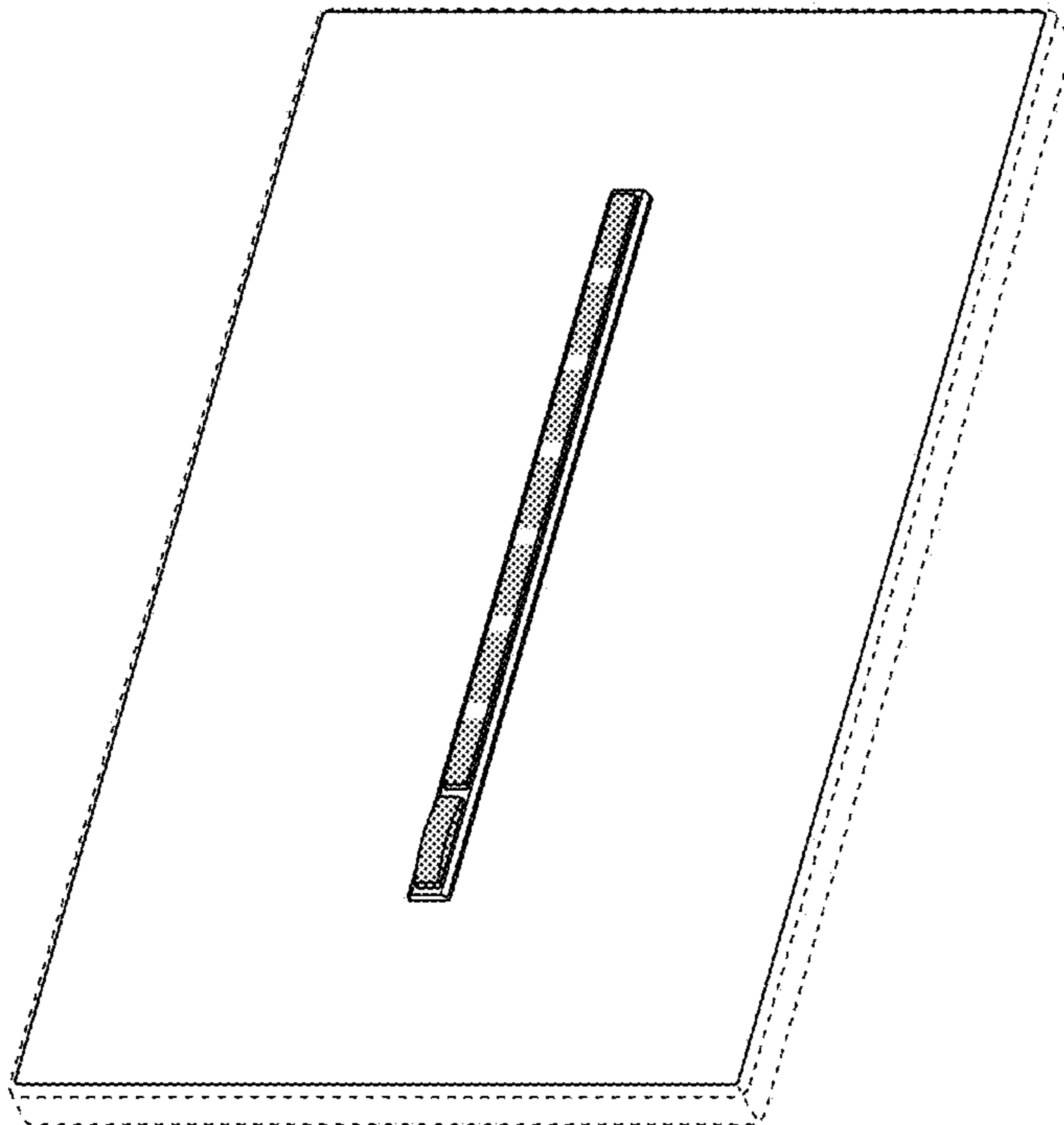


**Fig. 41**

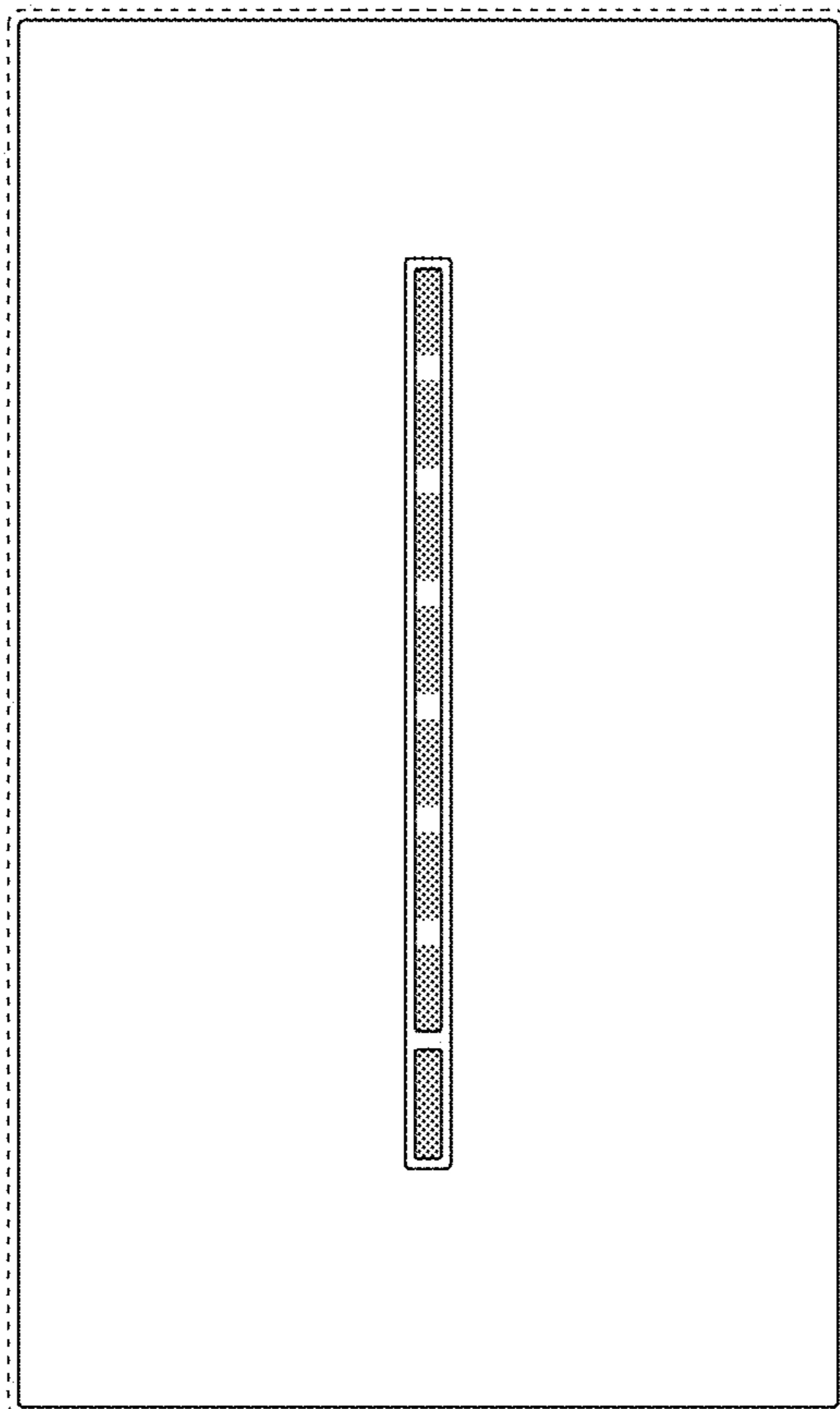


**Fig. 42**

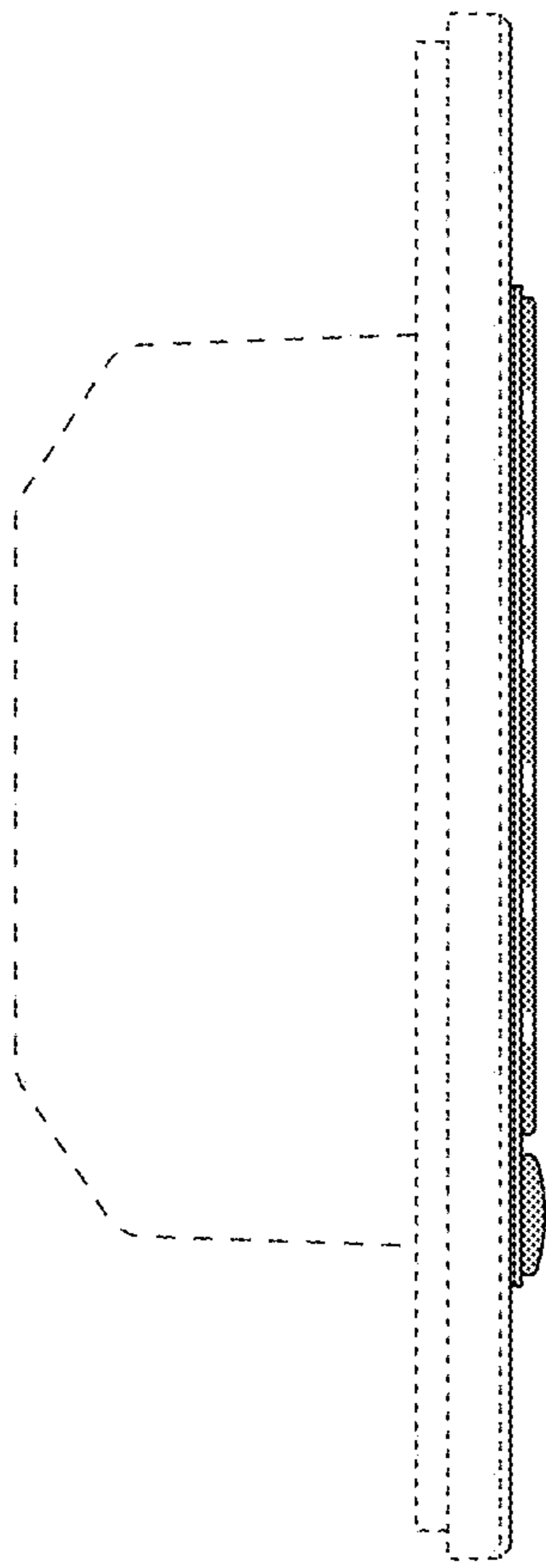




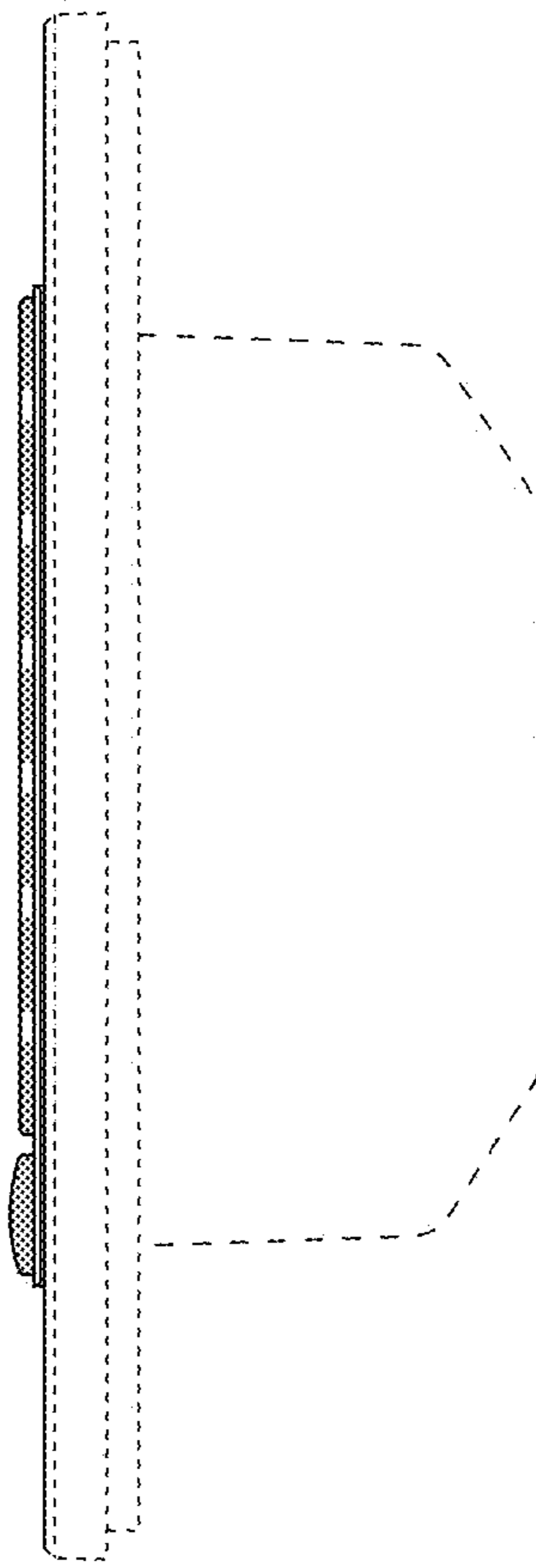
**Fig. 43**



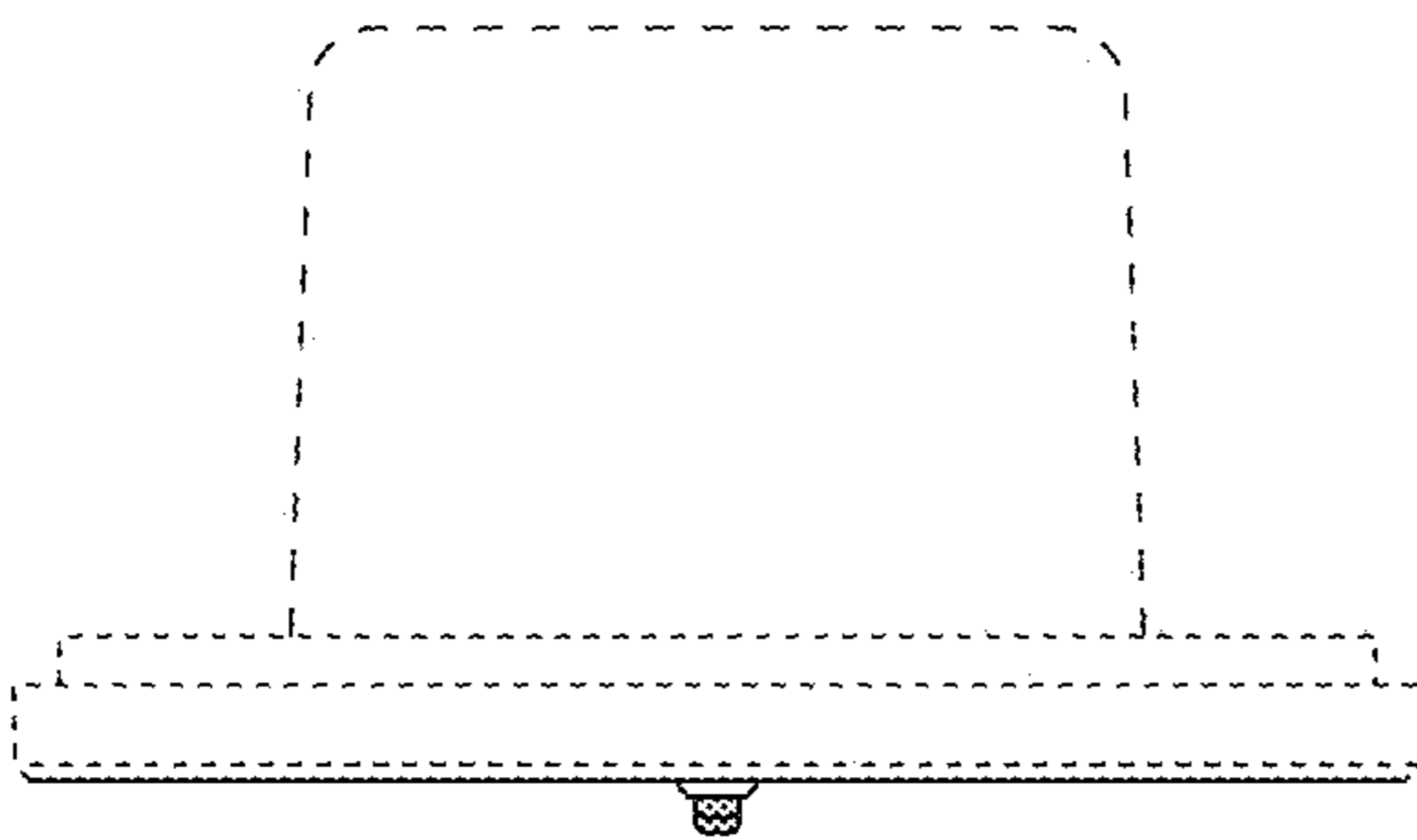
**Fig. 44**



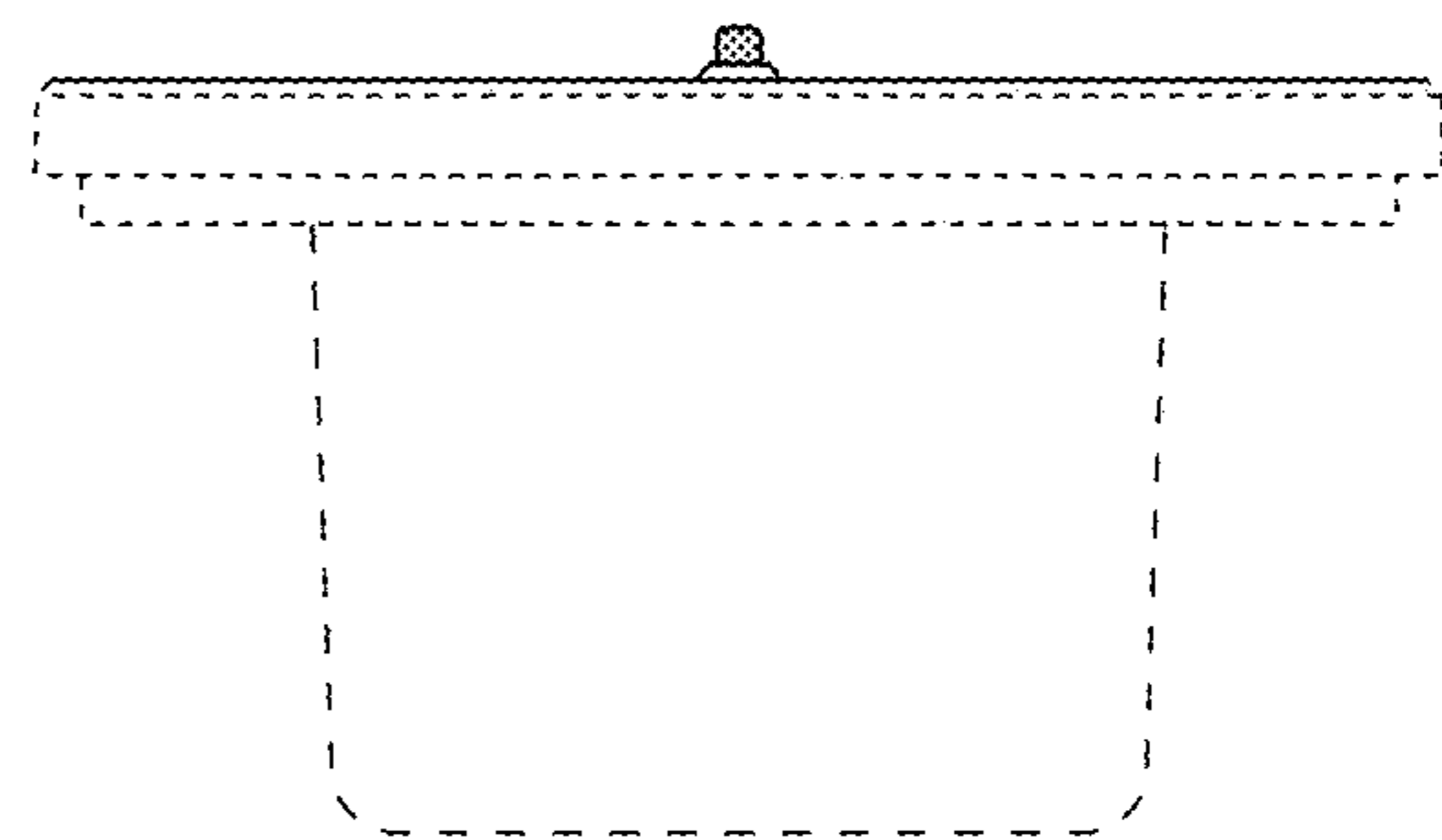
**Fig. 45**



**Fig. 46**



**Fig. 47**



**Fig. 48**