



US00D924818S

(12) **United States Design Patent** (10) **Patent No.:** **US D924,818 S**
Altonen et al. (45) **Date of Patent:** **** Jul. 13, 2021**

(54) **CONTROL DEVICE**

(71) Applicant: **Lutron Technology Company LLC**,
Coopersburg, PA (US)
(72) Inventors: **Gregory Altonen**, Easton, PA (US);
Chris Dimberg, Easton, PA (US);
Jason C. Killo, Emmaus, PA (US);
Brad Michael Kreschollek, Bethlehem,
PA (US); **Matthew Philip McDonald**,
Phoenixville, PA (US)
(73) Assignee: **Lutron Technology Company LLC**,
Coopersburg, PA (US)

(**) Term: **15 Years**

(21) Appl. No.: **29/743,558**

(22) Filed: **Jul. 22, 2020**

Related U.S. Application Data

(63) Continuation of application No. 29/697,939, filed on
Jul. 12, 2019, now Pat. No. Des. 892,751.

(51) **LOC (13) Cl.** **13-03**

(52) **U.S. Cl.**
USPC **D13/171; D13/168**

(58) **Field of Classification Search**

USPC D13/162, 168, 171, 173, 174; D14/487,
D14/489; D10/104.1; D7/393; D8/310,
D8/312

CPC H01H 3/12; H01H 3/122; H01H 9/02;
H01H 9/16; H01H 9/18; H01H 9/181;
H01H 9/182; H01H 13/023; H01H 13/04;
H01H 13/06; H01H 13/14; H01H
2009/187; H05B 33/0803; H05B 33/0863;
H05B 39/02; H05B 39/04; H05B 39/085;
H05B 39/086; H05B 39/088; G08C
17/02; H03K 17/962

See application file for complete search history.

(56) **References Cited**

U.S. PATENT DOCUMENTS

D199,922 S 12/1964 Schlage
4,499,630 A 2/1985 Harris et al.
D305,022 S 12/1989 Hallgren et al.
D362,841 S 10/1995 Roza
6,107,583 A 8/2000 Berfield
D441,346 S 5/2001 Bonn
D464,630 S 10/2002 Woodworth
D469,411 S 1/2003 Decosse
D479,205 S 9/2003 Krajci et al.
D515,516 S 2/2006 Mayo et al.
D558,692 S 1/2008 Neveu
D589,463 S 3/2009 Sykes

(Continued)

OTHER PUBLICATIONS

Legrand® / Pass & Seymour®, P&S Dimmers—DR Series Bro-
chure, 2010, 2 pages.

(Continued)

Primary Examiner — Selina Sikder

(74) *Attorney, Agent, or Firm* — Saidman DesignLaw
Group, LLC

(57) **CLAIM**

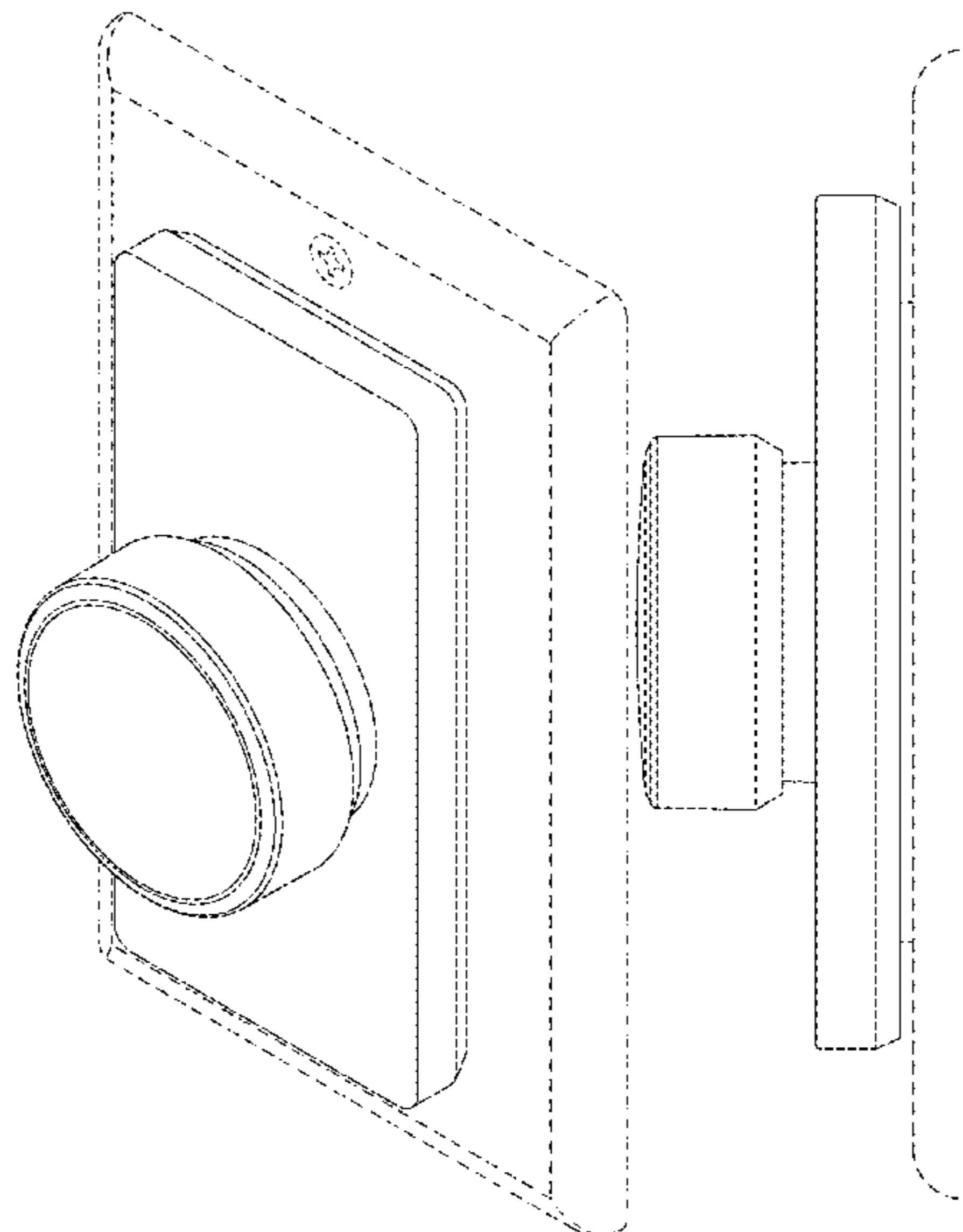
The ornamental design for a control device, as shown and
described.

DESCRIPTION

FIG. 1 is a front perspective view of a control device
showing our new design;
FIG. 2 is a front view thereof;
FIG. 3 is a left side view thereof;
FIG. 4 is a right side view thereof;
FIG. 5 is a top view thereof; and,
FIG. 6 is a bottom view thereof.

The dashed broken lines illustrate structure or features
which form no part of the claimed design.

1 Claim, 4 Drawing Sheets



(56)

References Cited

U.S. PATENT DOCUMENTS

7,820,924 B2 10/2010 Stilley et al.
 7,884,299 B2 2/2011 Glew
 D645,005 S 9/2011 Menheere
 D654,880 S 2/2012 Lam
 D687,328 S 8/2013 Clymer et al.
 D692,841 S 11/2013 Li et al.
 8,786,196 B2 7/2014 Biery et al.
 D713,236 S 9/2014 Park
 D719,007 S 12/2014 Bouthillier
 D722,259 S 2/2015 Conner
 D725,612 S 3/2015 Schlegel et al.
 D748,648 S 2/2016 Kim et al.
 D752,503 S 3/2016 Sethapun et al.
 D755,037 S 5/2016 Czerwinski, Jr. et al.
 9,337,943 B2 5/2016 Mosebrook et al.
 D761,277 S 7/2016 Harvell
 D762,716 S 8/2016 Yang et al.
 D763,308 S 8/2016 Wang et al.
 D766,844 S 9/2016 Turksu et al.
 9,538,619 B2 1/2017 Swatsky et al.
 9,565,742 B2 2/2017 Swatsky et al.
 9,633,557 B2 4/2017 Dimberg et al.
 D786,932 S 5/2017 Kim et al.
 D808,912 S * 1/2018 Dimberg D13/174
 D814,428 S * 4/2018 Dimberg D13/174
 D827,645 S * 9/2018 Raken D14/388
 D837,168 S * 1/2019 Altonen D13/174
 D837,169 S * 1/2019 Altonen D13/174
 D839,847 S * 2/2019 Dimberg D13/171
 D846,508 S * 4/2019 Dimberg D13/171
 D868,009 S * 11/2019 Dimberg D13/174
 D868,010 S * 11/2019 Bard D13/174
 D878,309 S * 3/2020 Altonen D13/171
 D878,310 S * 3/2020 Dimberg D13/171
 D879,055 S * 3/2020 Altonen D13/171
 D892,751 S * 8/2020 Altonen D13/171
 2007/0057922 A1 3/2007 Schultz et al.
 2007/0102275 A1 5/2007 Genz et al.
 2007/0193867 A1 8/2007 Lorenzo Riera et al.
 2010/0175971 A1 7/2010 Kim et al.
 2012/0240472 A1 9/2012 Bouthillier

2013/0328500 A1 12/2013 Toda
 2014/0042002 A1 2/2014 Chu
 2014/0117871 A1 5/2014 Swatsky et al.
 2015/0371534 A1 12/2015 Dimberg et al.
 2017/0278383 A1 9/2017 Dimberg et al.
 2017/0280533 A1 9/2017 Dimberg et al.
 2017/0352506 A1 12/2017 Dimberg
 2017/0354012 A1 12/2017 Bard et al.
 2017/0354021 A1 12/2017 Dimberg et al.
 2017/0354022 A1 12/2017 Dimberg et al.
 2017/0354023 A1 12/2017 Dimberg et al.
 2018/0005742 A1 1/2018 Newman, Jr. et al.
 2018/0116039 A1 4/2018 Harte et al.

OTHER PUBLICATIONS

Legrand®, Dimmers Brochure, 2015, 18 pages.
 Lumenpulse™, Lumentone™ Specification Sheet, 2013, 4 pages.
 Lumenpulse™, Lumentone™ Installation Instructions, 2013, 1 page.
 Lumenpulse™, Lumentone™ Quick Reference Guide, 2015, 3 pages.
 Electronic Theatre Controls, Inc., Echo Inspire® Station Programming Guide, Software Version 2.0.1, Feb. 2015, 44 pages.
 Electronic Theatre Controls, Inc., Echo Inspire® Control Stations, <URL:https://www.etcconnect.com/Products/Architectural-Systems/Echo/Control-Stations/Inspire-Control-Stations/Features.aspx>, available from Internet at least as early as Jul. 15, 2014 [site visited May 9, 2018].
 Electronic Theatre Controls, Inc., Echo Inspire® Control Station: 4-Button with Fader Knob, photograph taken on May 8, 2018.
 Thermo-Floor ISE 2019-Z—Wave Alliance; before Dec. 31, 2019; 3 pages; https://z-wavealliance.org/thermo-floor-launches-world-firsts-at-ise-2019/.
 ZigBee Dimmer Switch; before Dec. 31, 2019; 3 pages; https://zigbeealliance.org/zigbee_products/zigbee-dimmer-switch/.
 Samotech SM207 Light Switch Mount for Ikea; before Jul. 12, 2019; 1 page; https://www.samotech.co.uk/products/ikea-tradfri-remote-light-switch-converter-v2/.
 U.S. Appl. No. 62/345,449, filed Jun. 3, 2016 (unpublished).
 U.S. Appl. No. 62/345,222, filed Jun. 3, 2016 (unpublished).
 U.S. Appl. No. 29/597,335, filed Mar. 16, 2017 (unpublished).
 U.S. Appl. No. 29/697,938, filed Jul. 12, 2019 (unpublished).

* cited by examiner

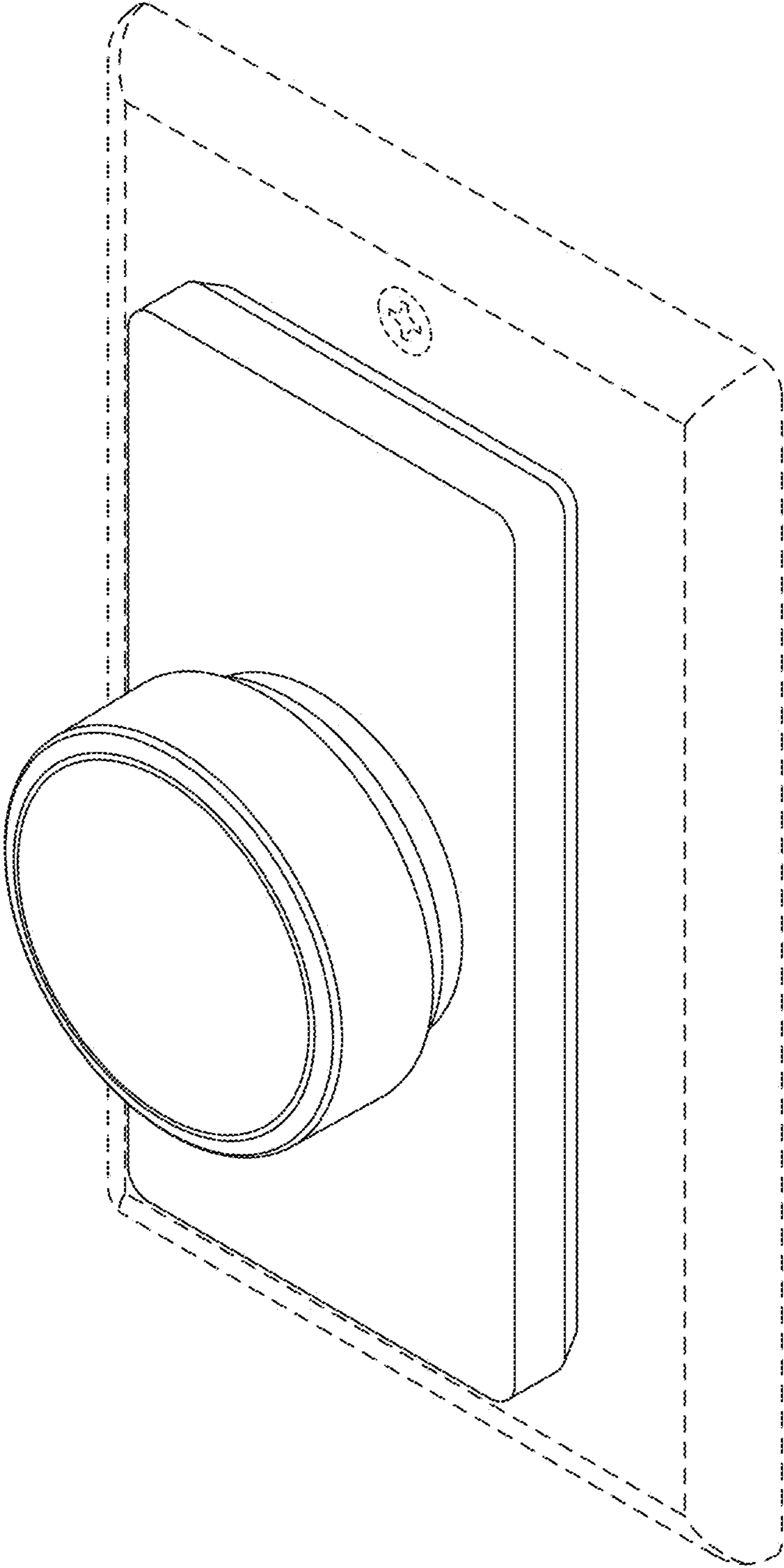


FIG. 1

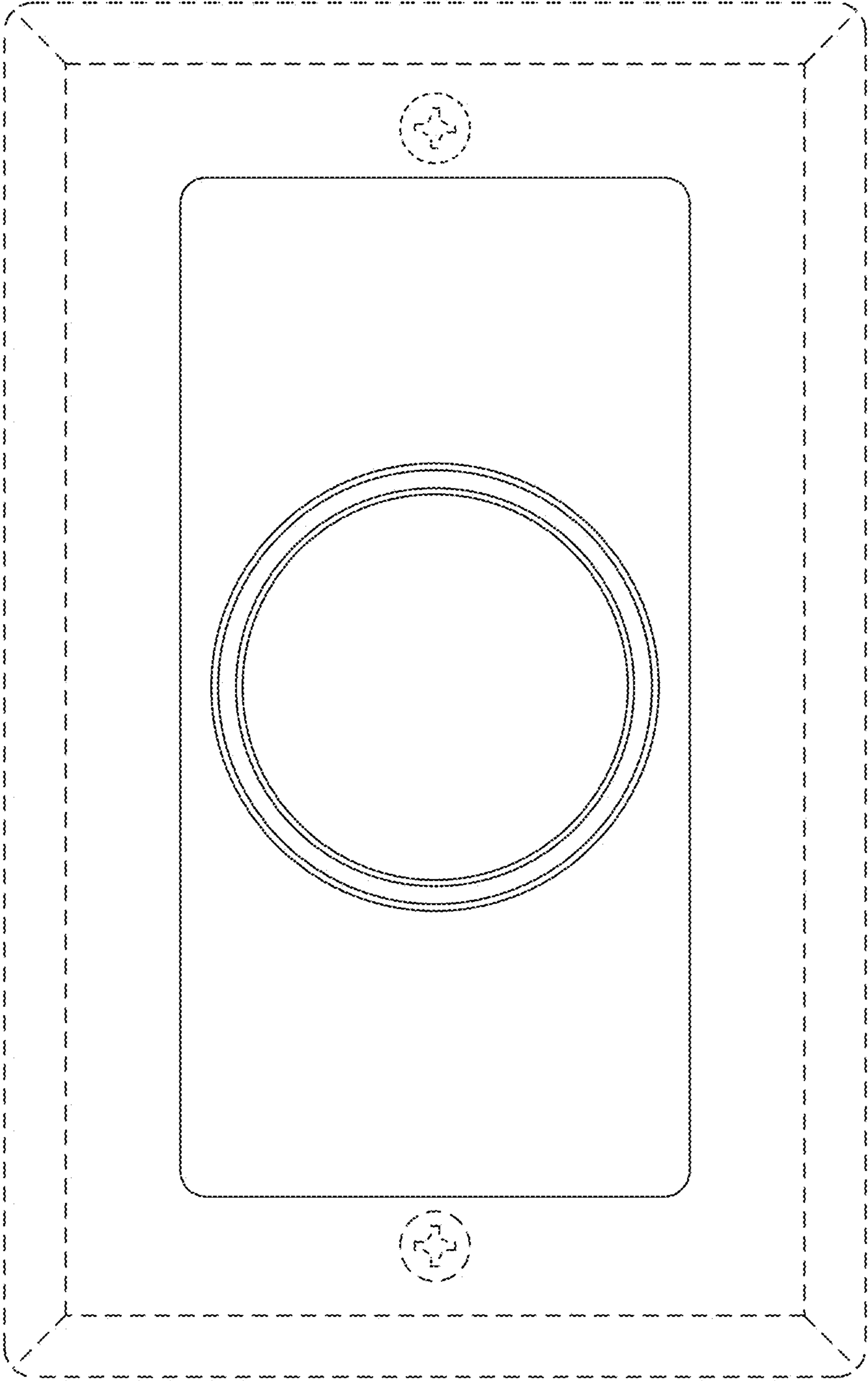


FIG. 2

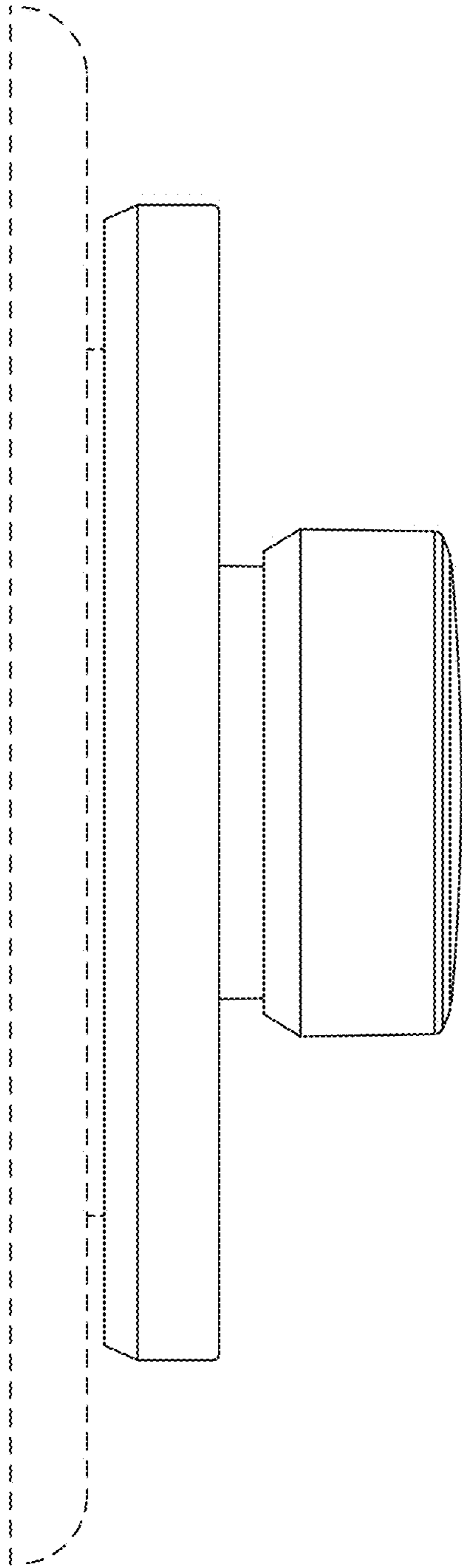


FIG. 3

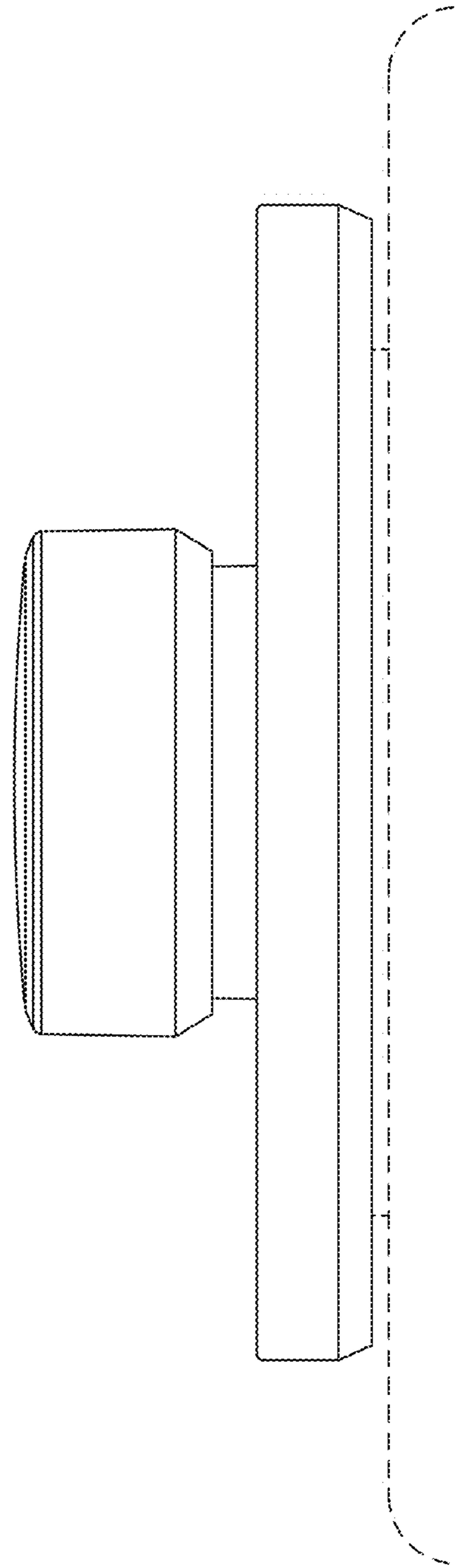


FIG. 4

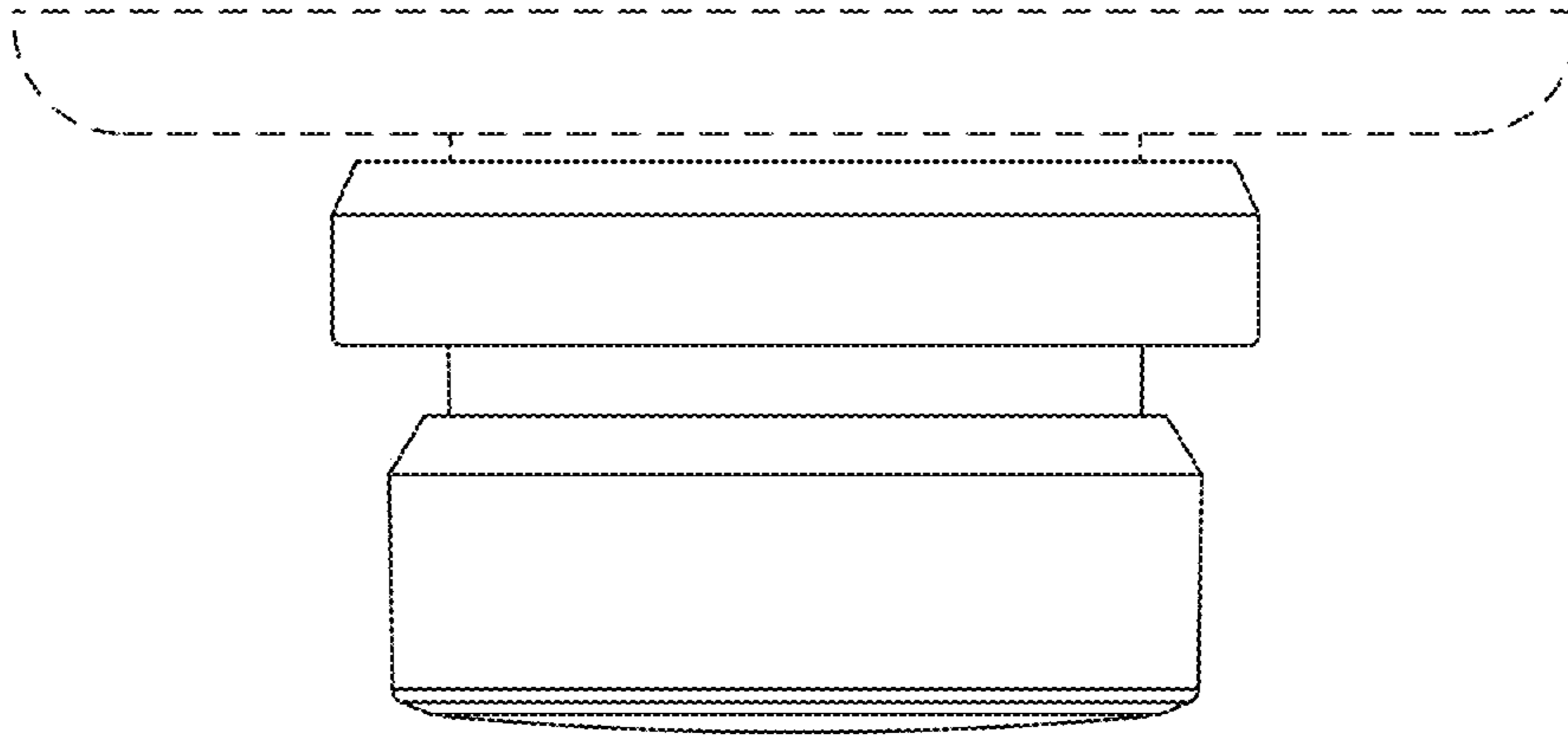


FIG. 5

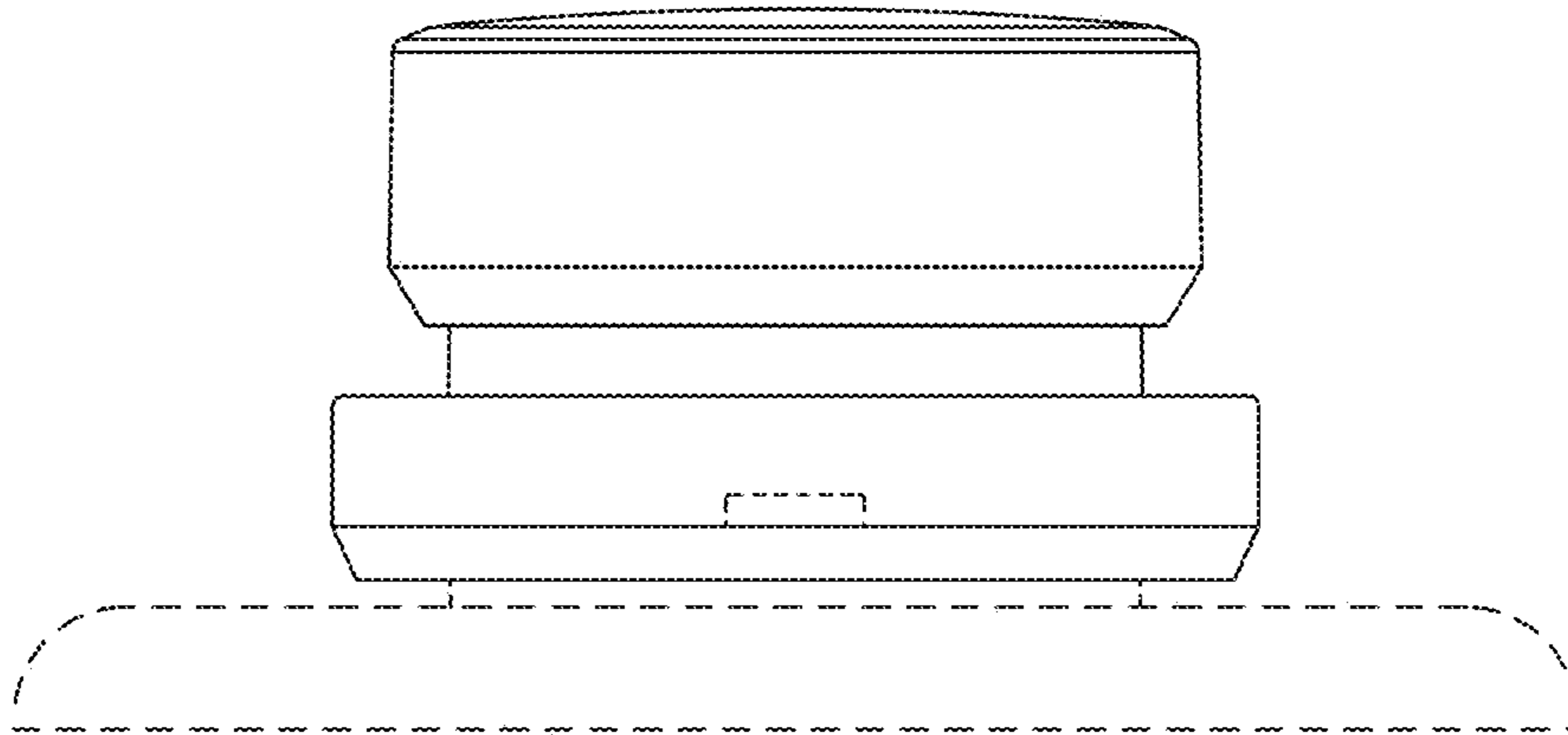


FIG. 6

UNITED STATES PATENT AND TRADEMARK OFFICE
CERTIFICATE OF CORRECTION

PATENT NO. : D924,818 S
APPLICATION NO. : 29/743558
DATED : July 13, 2021
INVENTOR(S) : Gregory Altonen et al.

Page 1 of 5

It is certified that error appears in the above-identified patent and that said Letters Patent is hereby corrected as shown below:

On the Title Page

Page 2, Column 2, item [56], Lines 8-12 delete:

“Electronic Theatre Controls, Inc., Echo Inspire© Control Stations, <URL:
<https://www.etccconnect.com/Products/Architectural-Systems/Echo/Control-Stations/Inspire-Control-Stations/Features.aspx>>, available from Internet at least as early as Jul. 15, 2014 [site visited May 9, 2018].”

And insert:

--Electronic Theatre Controls, Inc., Echo Inspire© Control Stations, <URL:
<https://www.etccconnect.com/Products/Architectural-Systems/Echo/Control-Stations/Inspire-Control-Stations/Features.aspx>>, available from Internet at least as early as Jul. 15, 2014 [site visited May 9, 2018].--.

In the Drawings

Fig. 1-6 should be deleted and replaced with Fig. 1-6, and on the title page, the representative print figures 1 and 4 should be replaced, as shown on the attached drawing sheets.

Signed and Sealed this
Eighteenth Day of January, 2022



Drew Hirshfeld
*Performing the Functions and Duties of the
Under Secretary of Commerce for Intellectual Property and
Director of the United States Patent and Trademark Office*

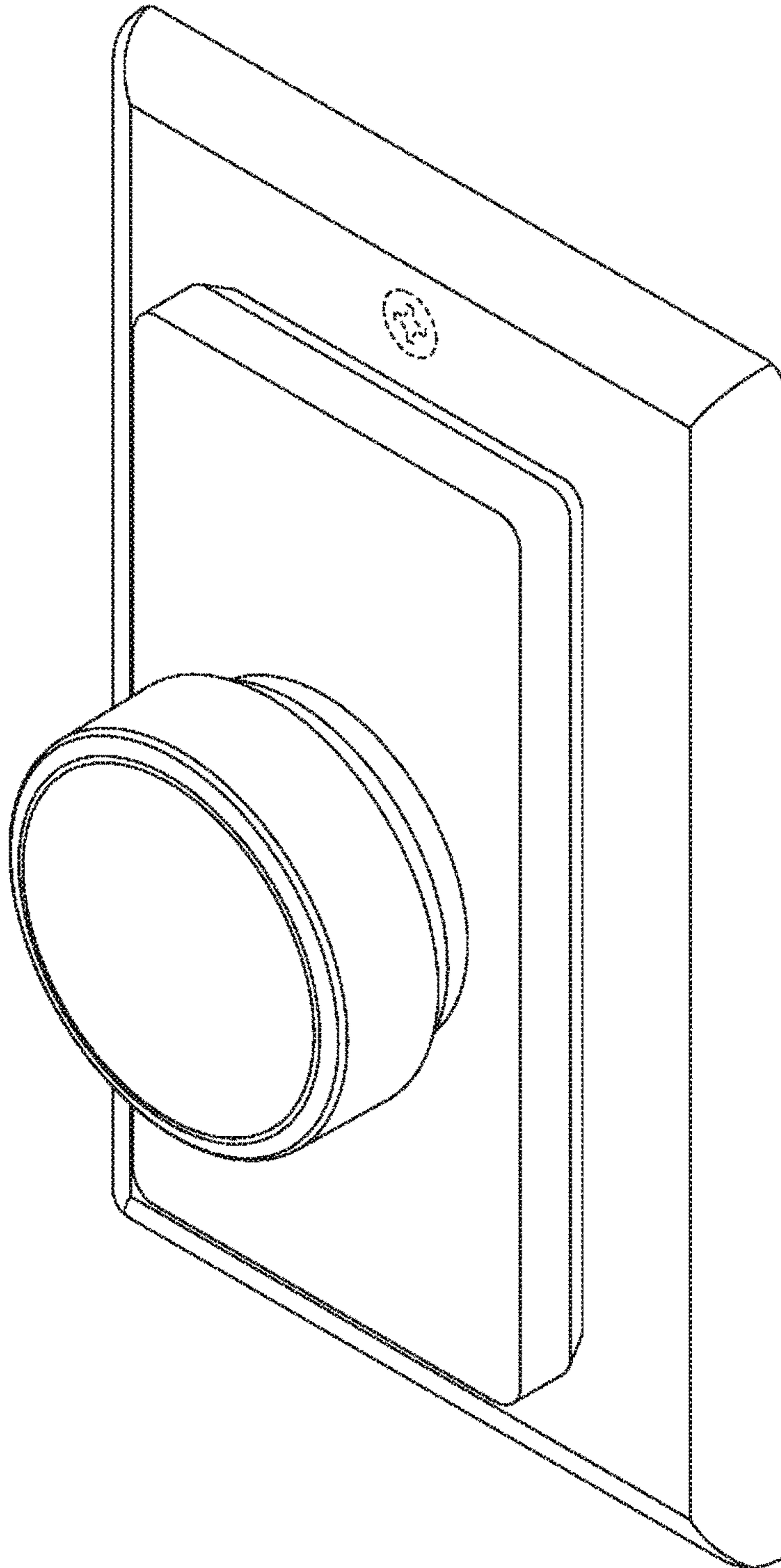


FIG. 1

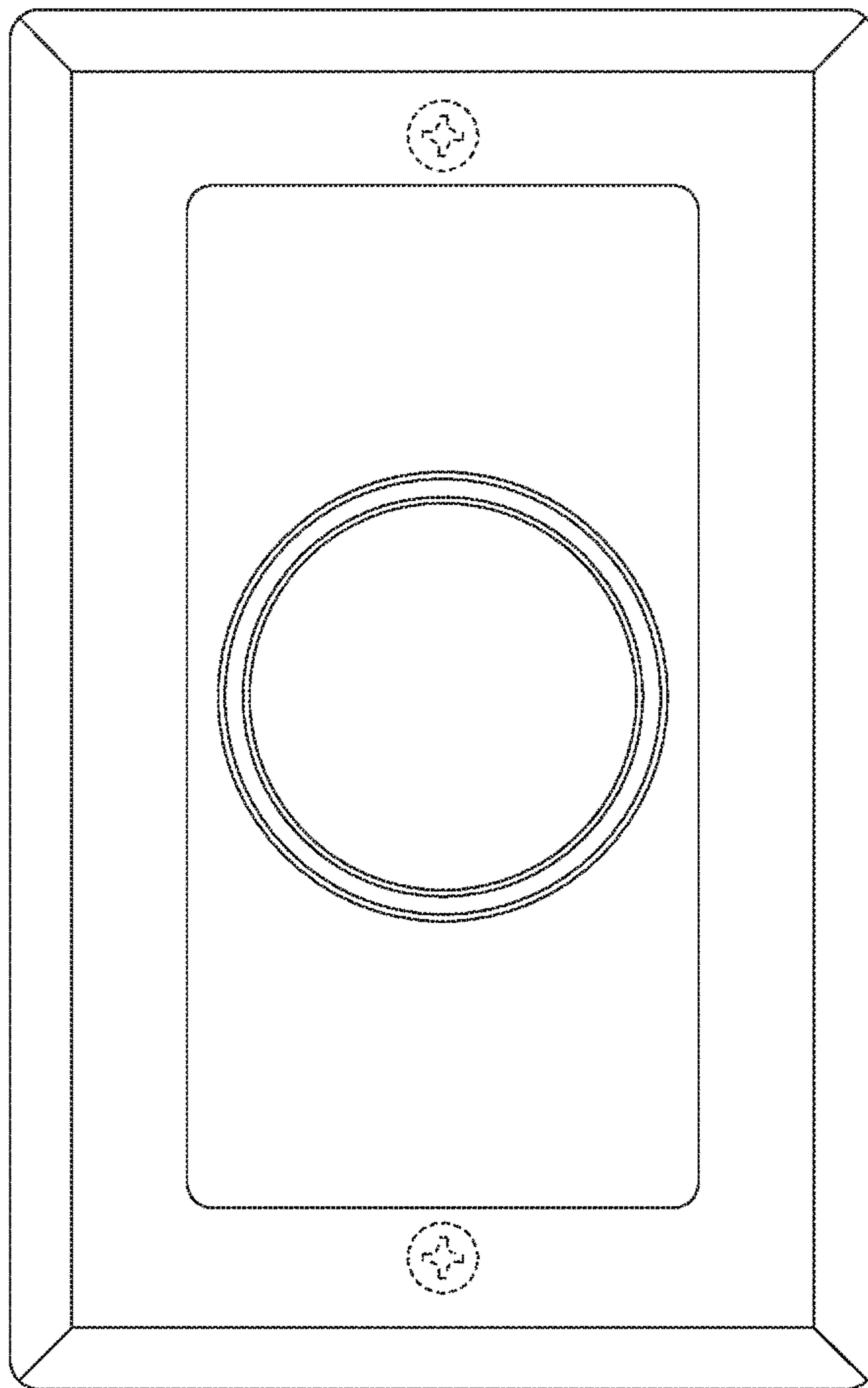


FIG. 2

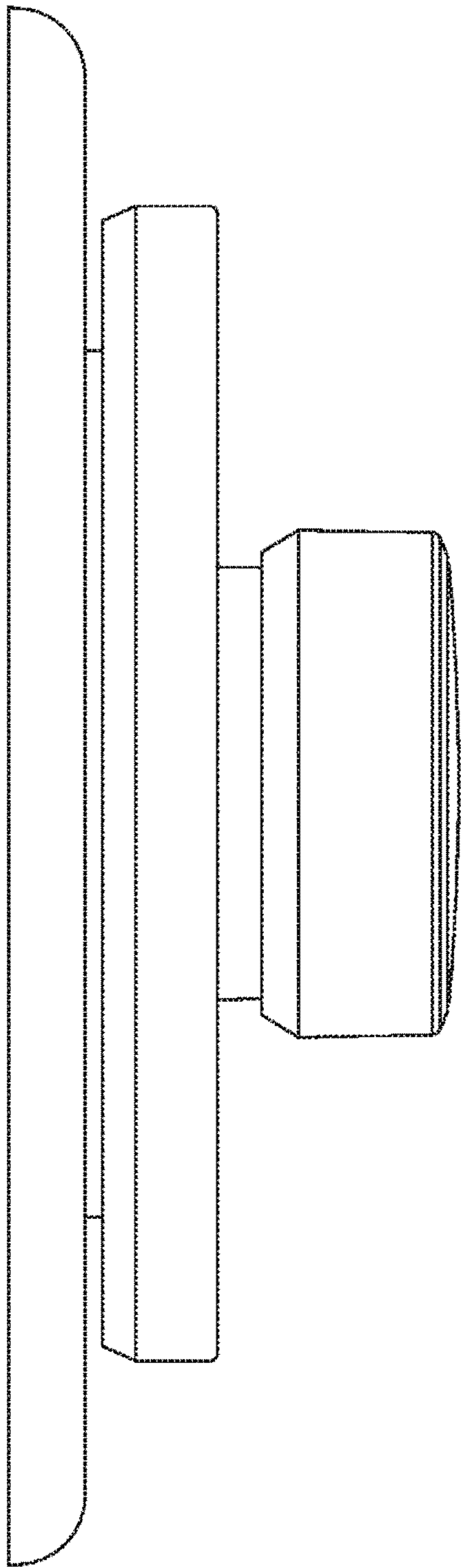


FIG. 3

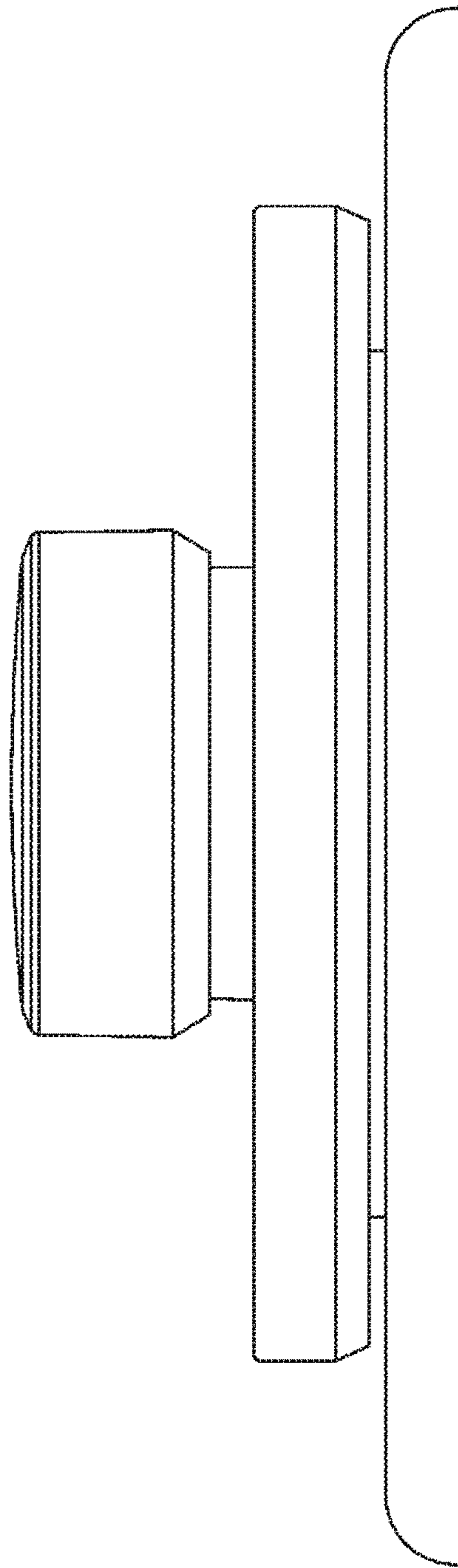


FIG. 4

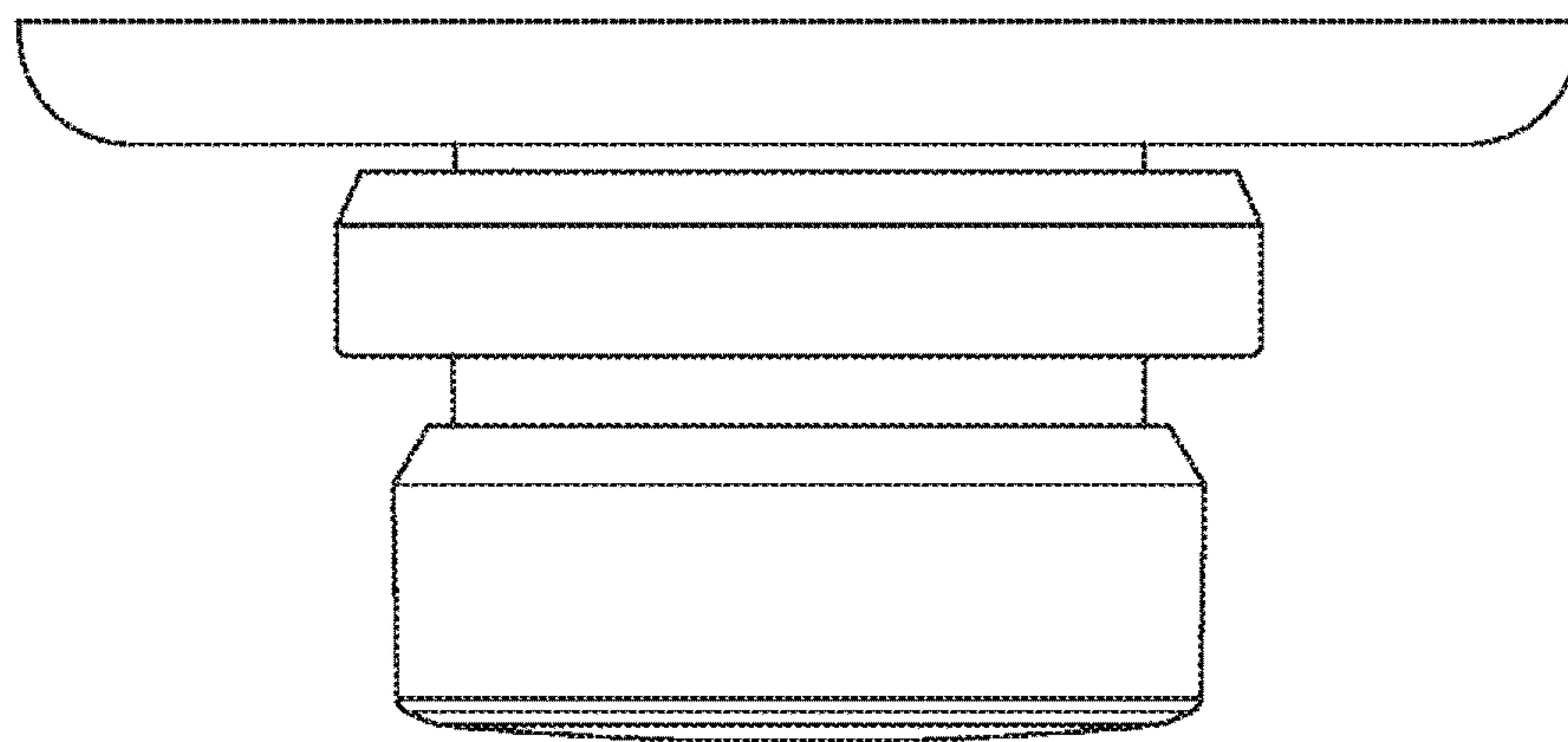


FIG. 5

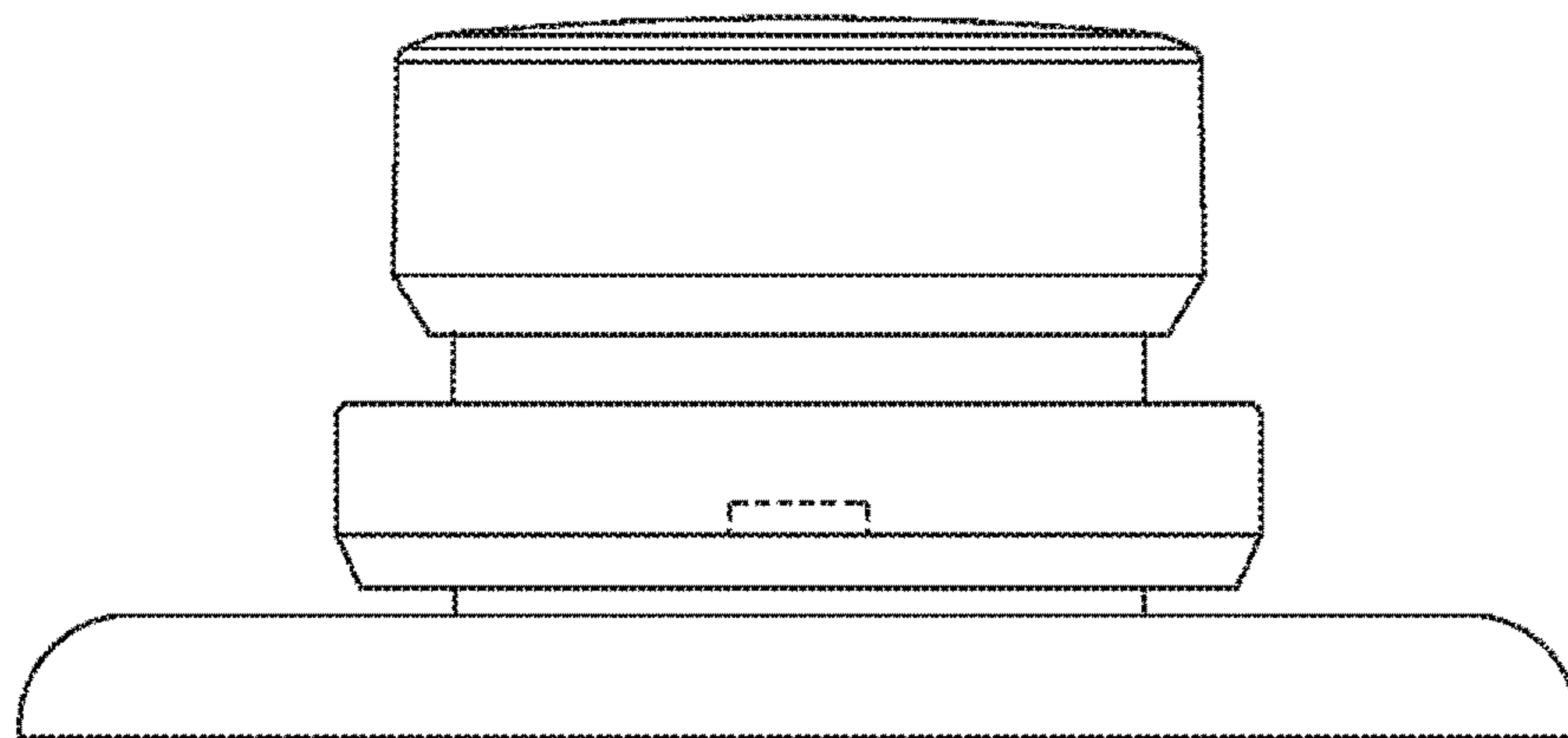


FIG. 6