



US00D924817S

(12) **United States Design Patent**  
**Sakurai et al.**

(10) **Patent No.:** **US D924,817 S**

(45) **Date of Patent:** **\*\* Jul. 13, 2021**

(54) **ELECTROMAGNETIC CONTACTOR**

(71) Applicant: **FUJI ELECTRIC FA COMPONENTS & SYSTEMS CO., LTD.**, Tokyo (JP)

(72) Inventors: **Yuya Sakurai**, Saitama (JP); **Yasuhiro Naka**, Saitama (JP); **Hideo Adachi**, Saitama (JP); **Mitsuya Itou**, Saitama (JP)

(73) Assignee: **FUJI ELECTRIC FA COMPONENTS & SYSTEMS CO., LTD.**, Tokyo (JP)

(\*\*) Term: **15 Years**

(21) Appl. No.: **29/685,870**

(22) Filed: **Apr. 1, 2019**

(30) **Foreign Application Priority Data**

Nov. 12, 2018 (JP) ..... 2018-024738

(51) **LOC (13) Cl.** ..... **13-03**

(52) **U.S. Cl.**  
USPC ..... **D13/159**

(58) **Field of Classification Search**  
USPC ..... D13/110, 123, 158–160, 168–171, 173, D13/184, 199  
CPC ..... H01H 9/443; H01H 13/04; H01H 33/18; H01H 47/00; H01H 49/00; H01H 50/04; H01H 50/023; H01H 50/36; H01H 50/42; H01H 50/64; H01H 51/28; H01H 75/00  
See application file for complete search history.

(56) **References Cited**

**U.S. PATENT DOCUMENTS**

3,184,574 A \* 5/1965 Dennison ..... H01H 13/04  
200/302.2  
D616,820 S \* 6/2010 Gong ..... D13/133

D657,749 S \* 4/2012 Suzuki ..... D13/159  
D729,747 S \* 5/2015 Suzuki ..... D13/159  
9,570,258 B2 \* 2/2017 Park ..... H01H 50/44  
D787,449 S \* 5/2017 Tashima ..... D13/159  
D826,869 S \* 8/2018 Sakurai ..... D13/159  
D869,401 S \* 12/2019 Sakurai ..... D13/159  
2005/0156469 A1 \* 7/2005 Nishida ..... H01H 9/443  
310/40 MM  
2009/0322453 A1 \* 12/2009 Kawaguchi ..... H01F 7/1615  
335/81  
2009/0322454 A1 \* 12/2009 Tanaka ..... H01H 50/38  
335/189

(Continued)

**FOREIGN PATENT DOCUMENTS**

JP 2012146502 A \* 8/2012 ..... H01H 50/16  
JP 2018116766 A \* 7/2018  
JP 2018129257 A \* 8/2018 ..... H01H 50/14

*Primary Examiner* — Shawn T Gingrich

(74) *Attorney, Agent, or Firm* — IPUSA, PLLC

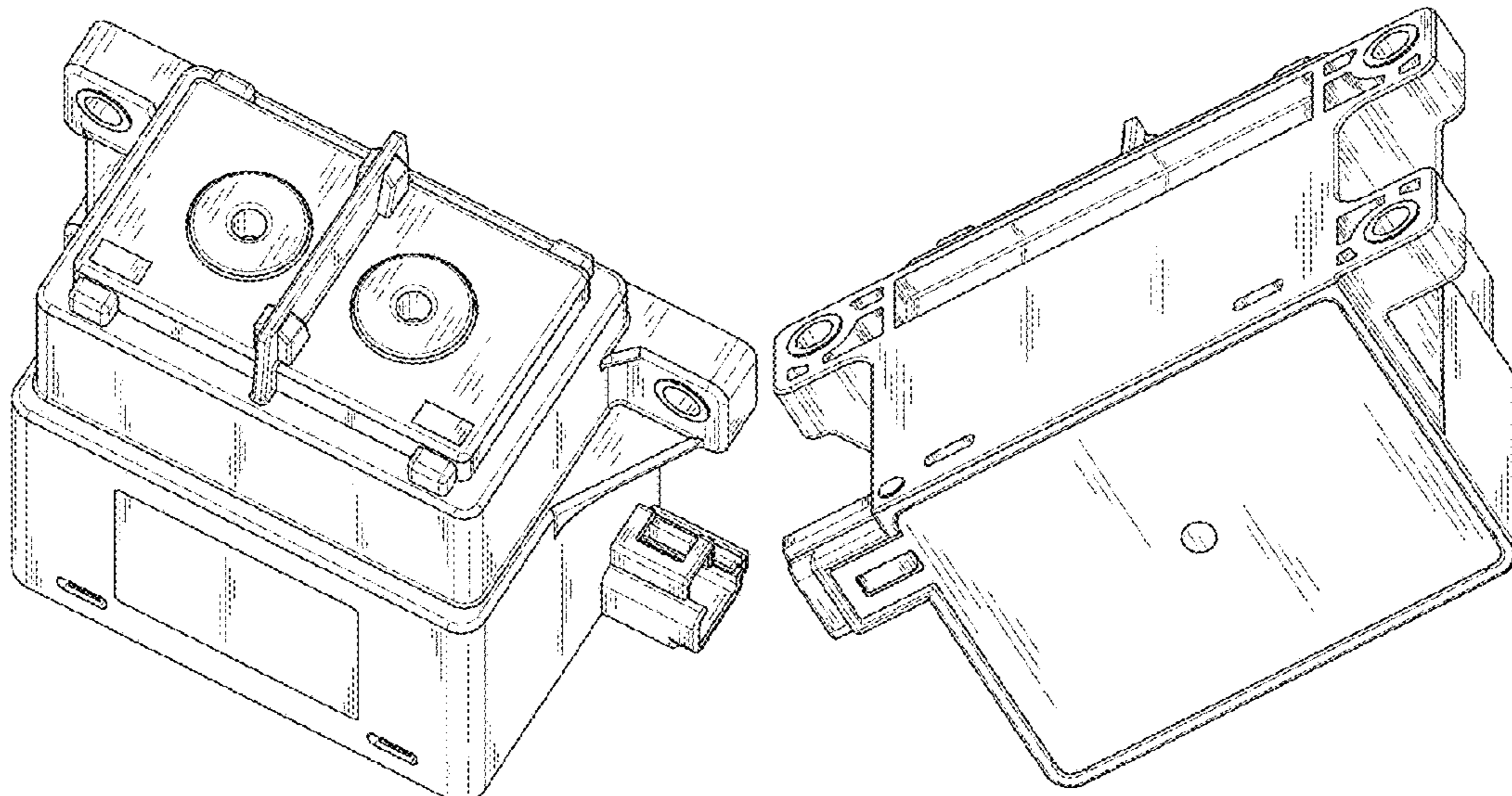
(57) **CLAIM**

The ornamental design for an electromagnetic contactor, as shown and described.

**DESCRIPTION**

FIG. 1 is a front, top, right side perspective view of an electromagnetic contactor, showing our new design; FIG. 2 is a rear, bottom, left side perspective view thereof; FIG. 3 is a front view thereof; FIG. 4 is a rear view thereof; FIG. 5 is a top plan view thereof; FIG. 6 is a bottom plan view thereof; FIG. 7 is a right side view thereof; and, FIG. 8 is a left side view thereof. The broken lines in the drawings illustrate portions of the electromagnetic contactor that form no part of the claimed design.

**1 Claim, 5 Drawing Sheets**



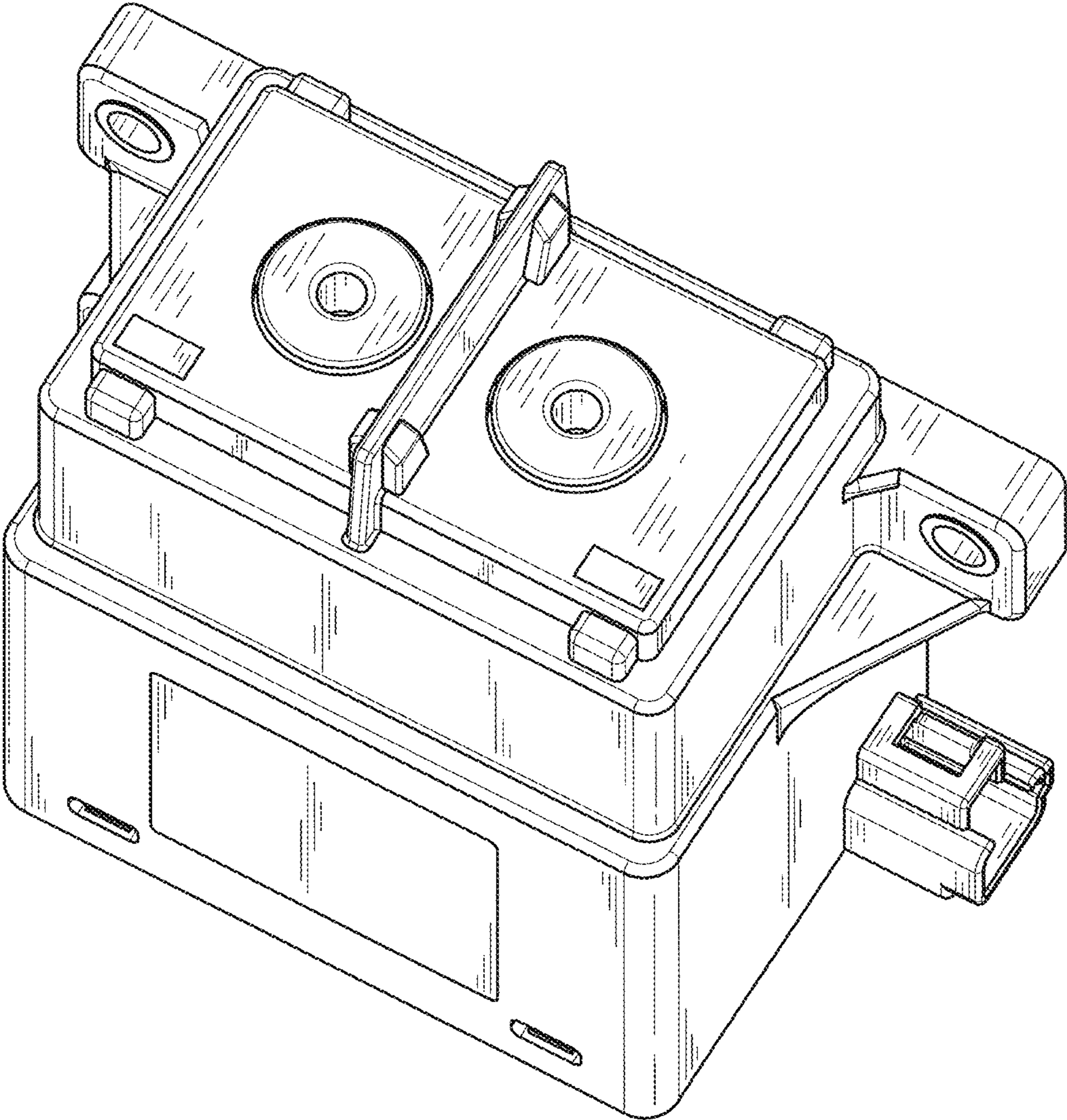
(56)

**References Cited**

U.S. PATENT DOCUMENTS

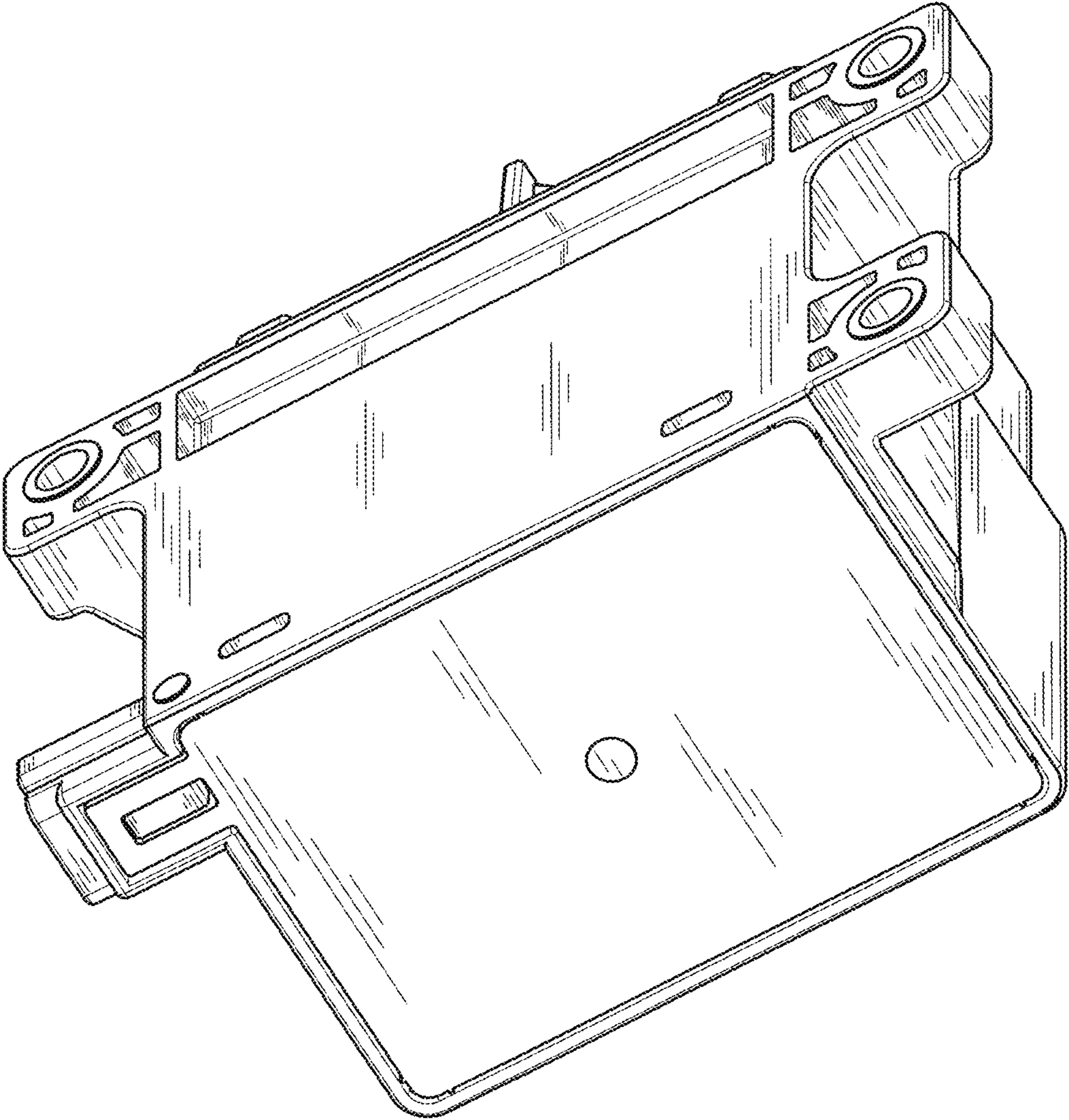
2015/0022293 A1\* 1/2015 Naka ..... H01H 50/023  
335/153

\* cited by examiner

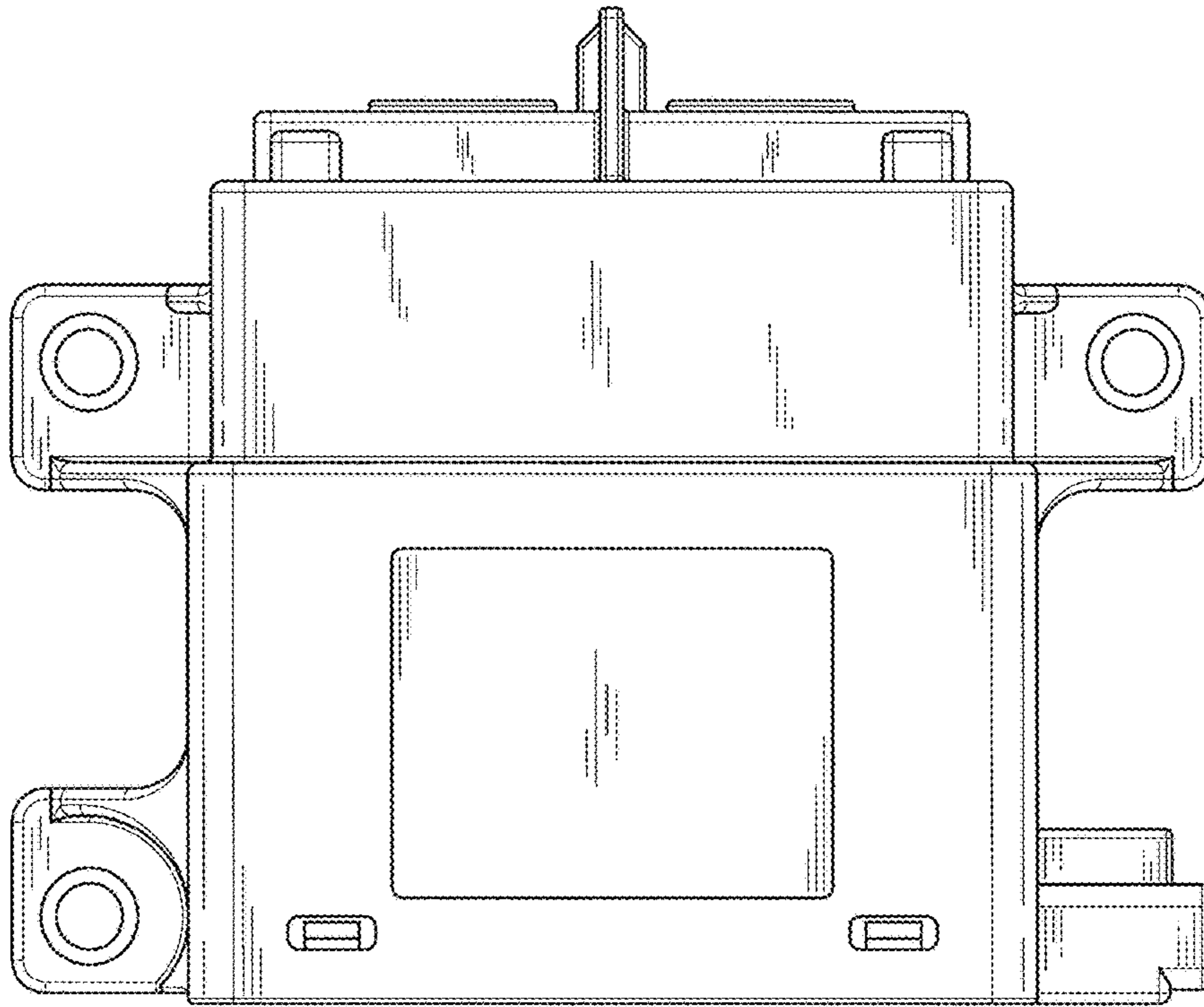


*Fig. 1*

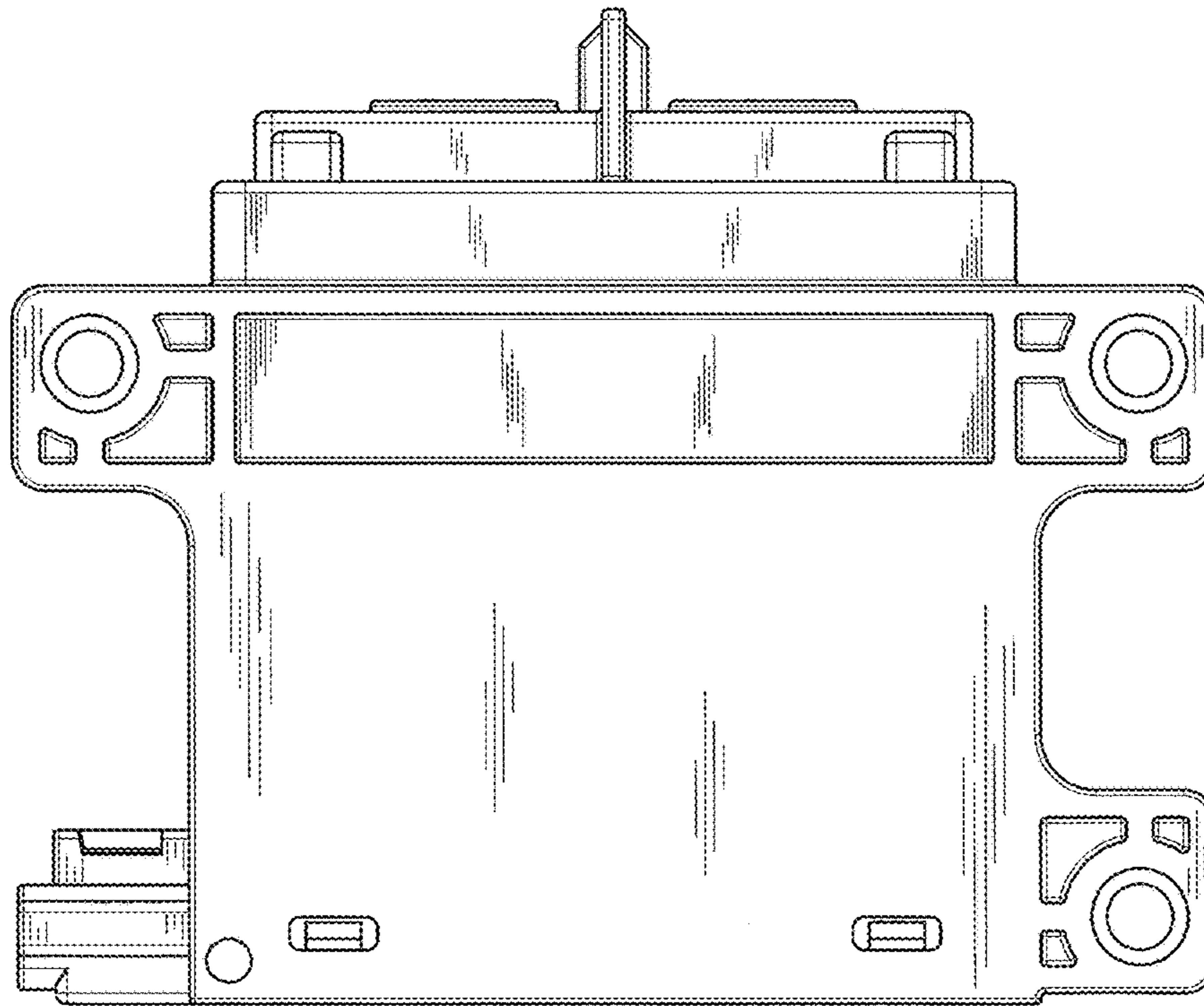




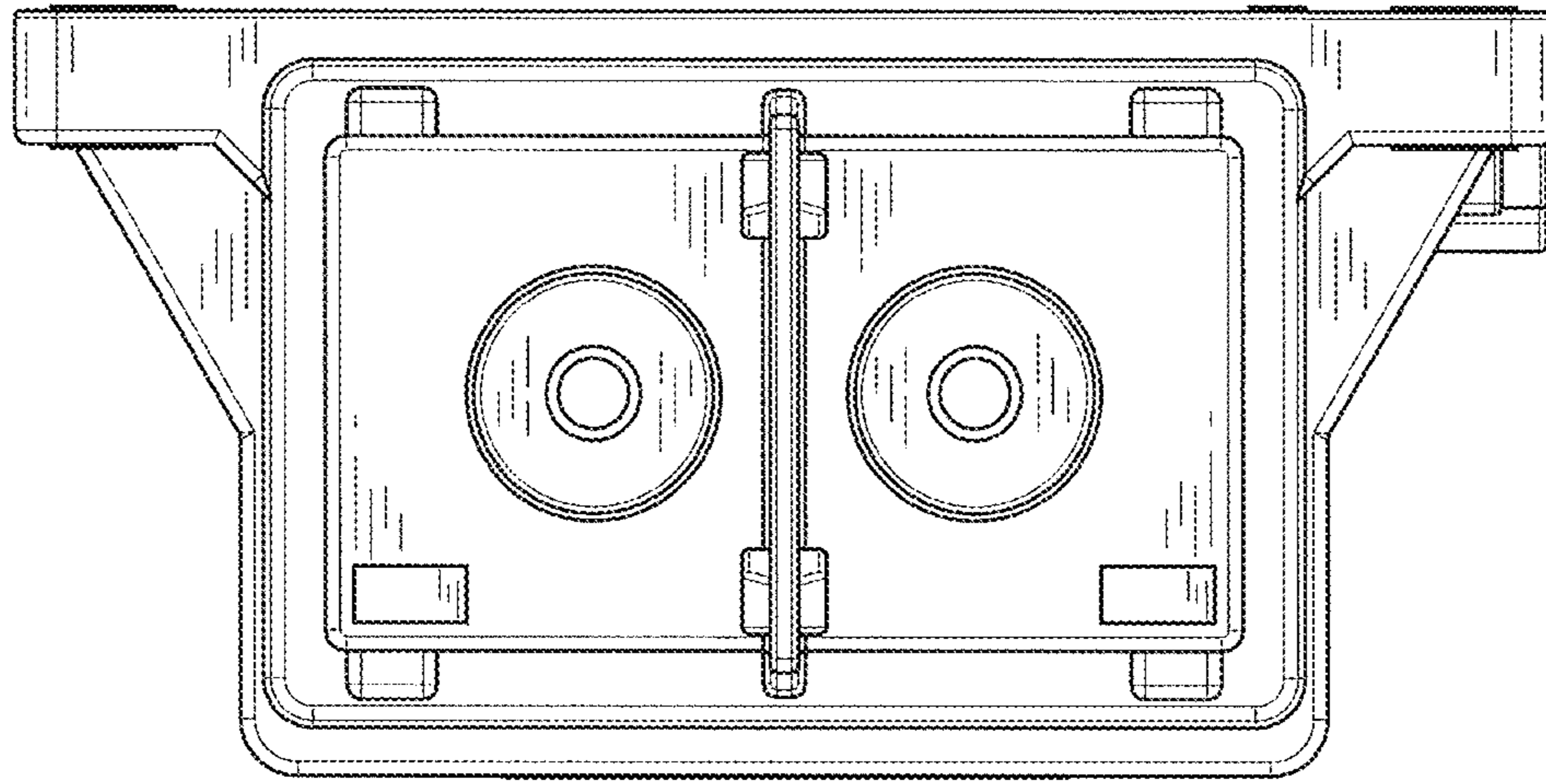
*Fig. 2*



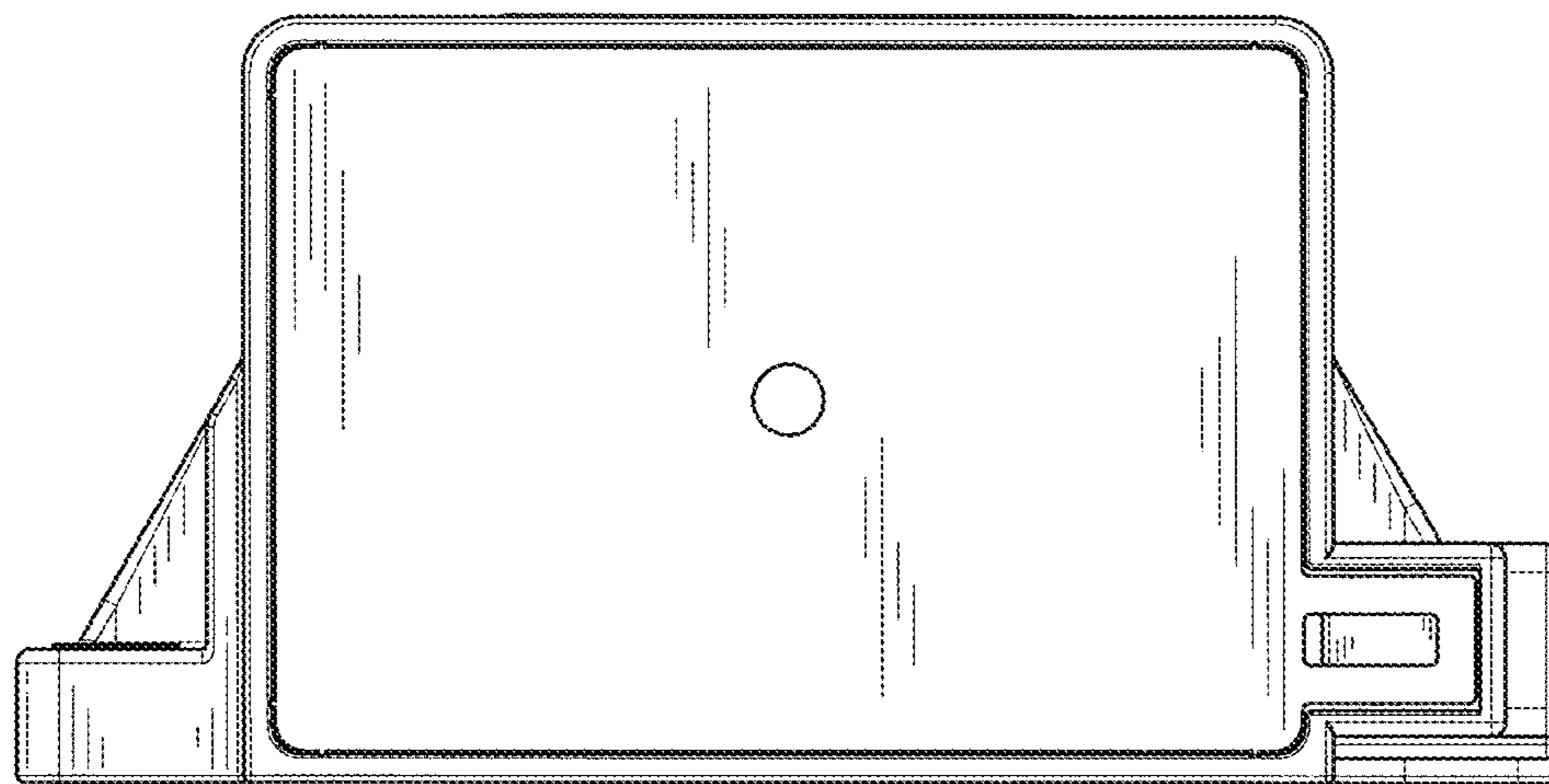
*Fig. 3*



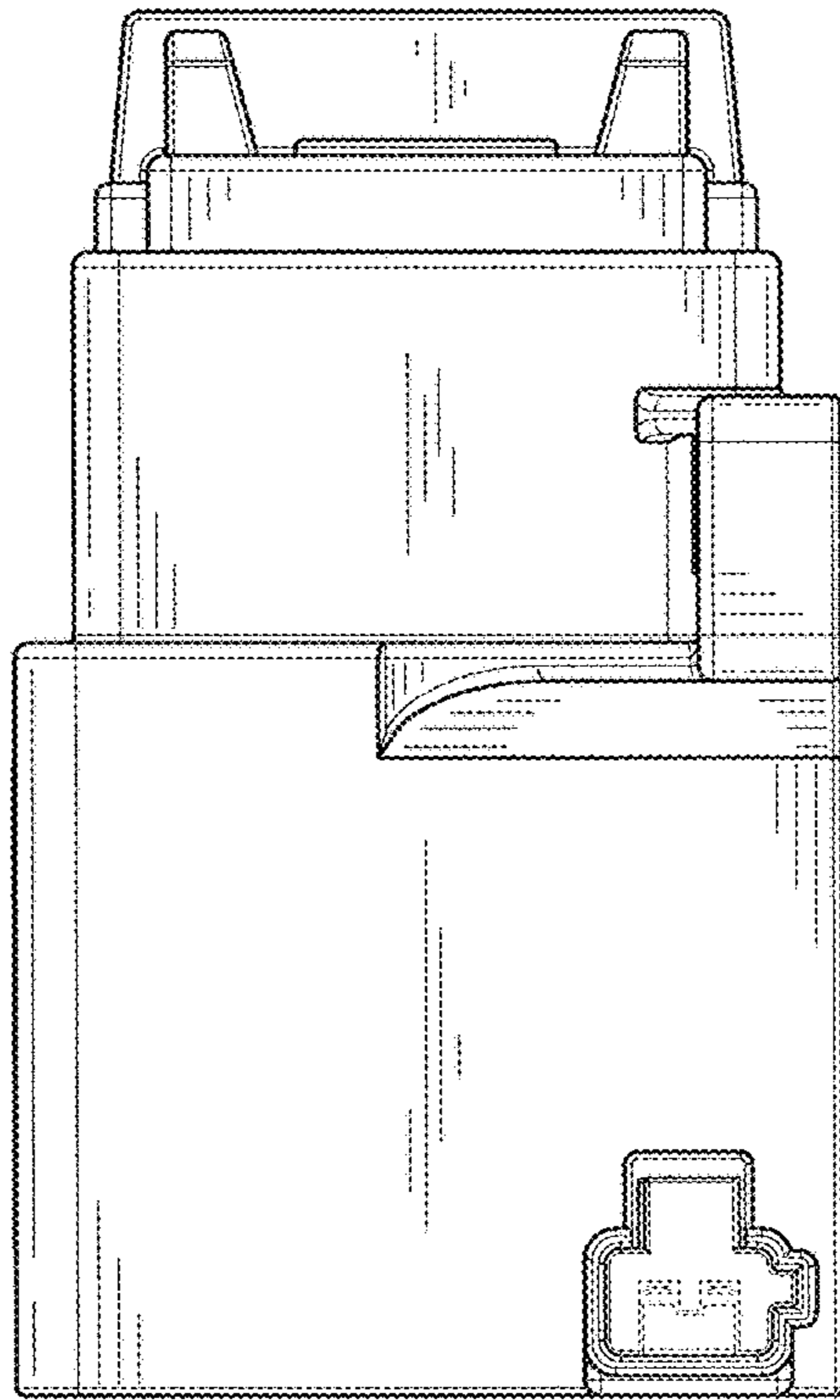
*Fig. 4*



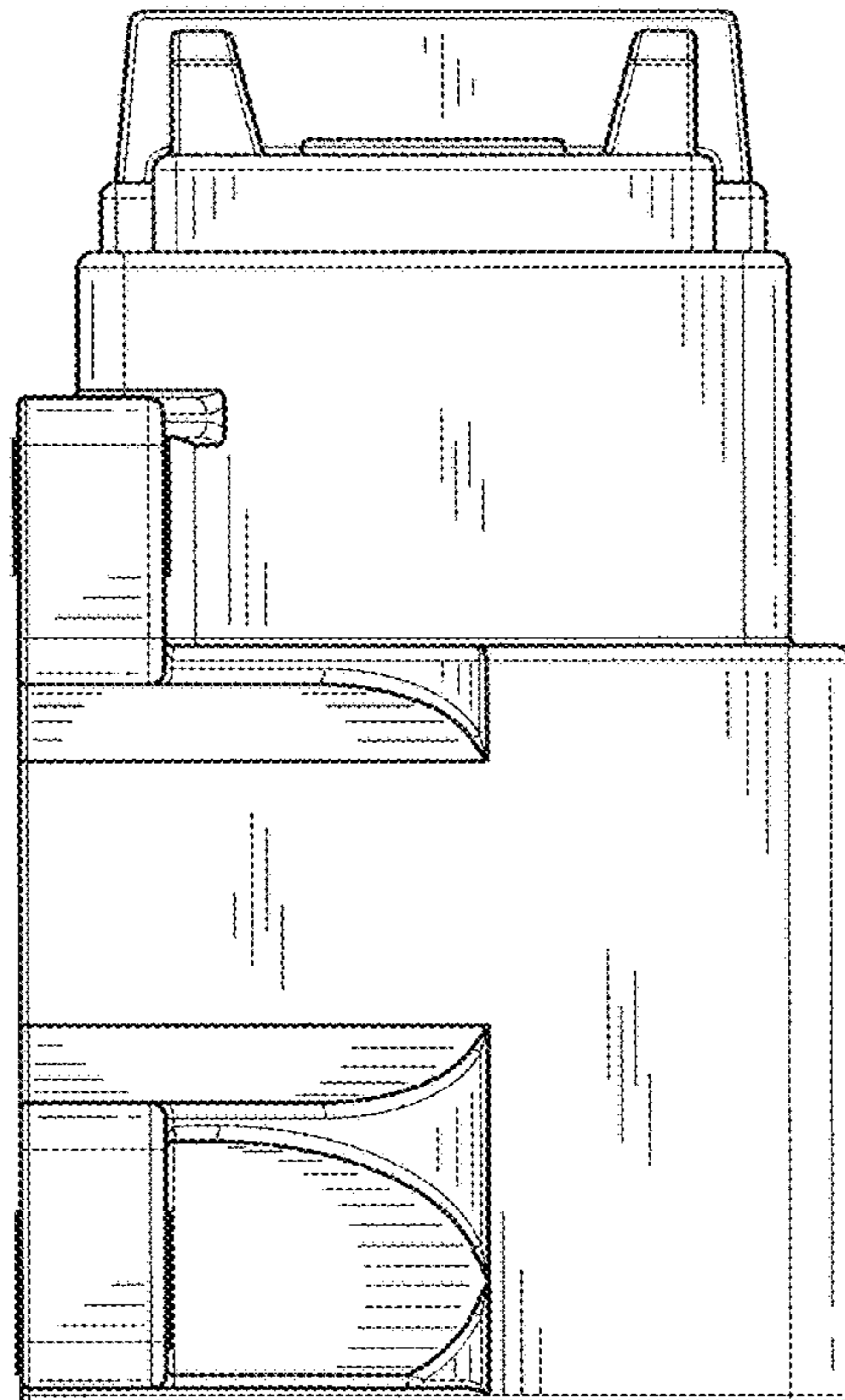
*Fig. 5*



*Fig. 6*



*Fig. 7*



*Fig. 8*