



US00D924816S

(12) **United States Design Patent** (10) **Patent No.:** **US D924,816 S**
Yu (45) **Date of Patent:** **** Jul. 13, 2021**

(54) **CONTROL BOX**

(71) Applicant: **XIAMEN RAFFLE SYSTEMS
SMART TECHNOLOGY CO., LTD.,**
Xiamen (CN)

(72) Inventor: **Shao Jian Yu**, Xiamen (CN)

(73) Assignee: **XIAMEN RAFFLE SYSTEMS
SMART TECHNOLOGY CO., LTD.,**
Xiamen (CN)

(**) Term: **15 Years**

(21) Appl. No.: **29/771,947**

(22) Filed: **Feb. 26, 2021**

(30) **Foreign Application Priority Data**

Jan. 29, 2021 (CN) 202130067959.8

(51) **LOC (13) Cl.** **13-03**

(52) **U.S. Cl.**
USPC **D13/158; D15/143; D13/184**

(58) **Field of Classification Search**
USPC **D13/110, 123, 147, 152, 162, 184;**
D15/143
CPC **A47C 7/506; H05K 5/00; H05K 5/0004;**
H05K 5/0021; H05K 5/0026; H05K 5/03;
H05K 5/04; H05K 5/06; H05K 7/1462;
H05K 7/1472
See application file for complete search history.

(56) **References Cited**

U.S. PATENT DOCUMENTS

D305,531 S * 1/1990 Suzuki D13/126
D402,275 S * 12/1998 Korhonen D13/184
D465,797 S * 11/2002 Landerholm D15/143
D543,957 S * 6/2007 Landerholm D13/184
D546,352 S * 7/2007 Tsou D15/143
D572,281 S * 7/2008 Wei D15/143

D606,033 S * 12/2009 Sonntag D13/184
D669,440 S * 10/2012 Wu D13/162
D702,644 S * 4/2014 Tseng D13/147
8,885,352 B2 * 11/2014 Tseng H05K 7/1432
361/752
9,070,957 B2 * 6/2015 Wu H01M 10/48
D775,677 S * 1/2017 Jorgensen D15/143
D783,537 S * 4/2017 Skov
D785,574 S * 5/2017 Wu D13/162
9,703,278 B2 * 7/2017 Kristensen A47B 9/04
D800,076 S * 10/2017 Lin D13/162
D881,140 S * 4/2020 Wang
D883,208 S * 5/2020 Dong D13/110
D894,843 S * 9/2020 Shen D13/158

(Continued)

OTHER PUBLICATIONS

Smart Furniture Solution Control Box ZXJ3-1; retrieved on May 27, 2021; 2 pgs.; <https://www.leili-motor.net/smart-furniture-solution-control-box-zxj3-1.html>.*

(Continued)

Primary Examiner — Selina Sikder

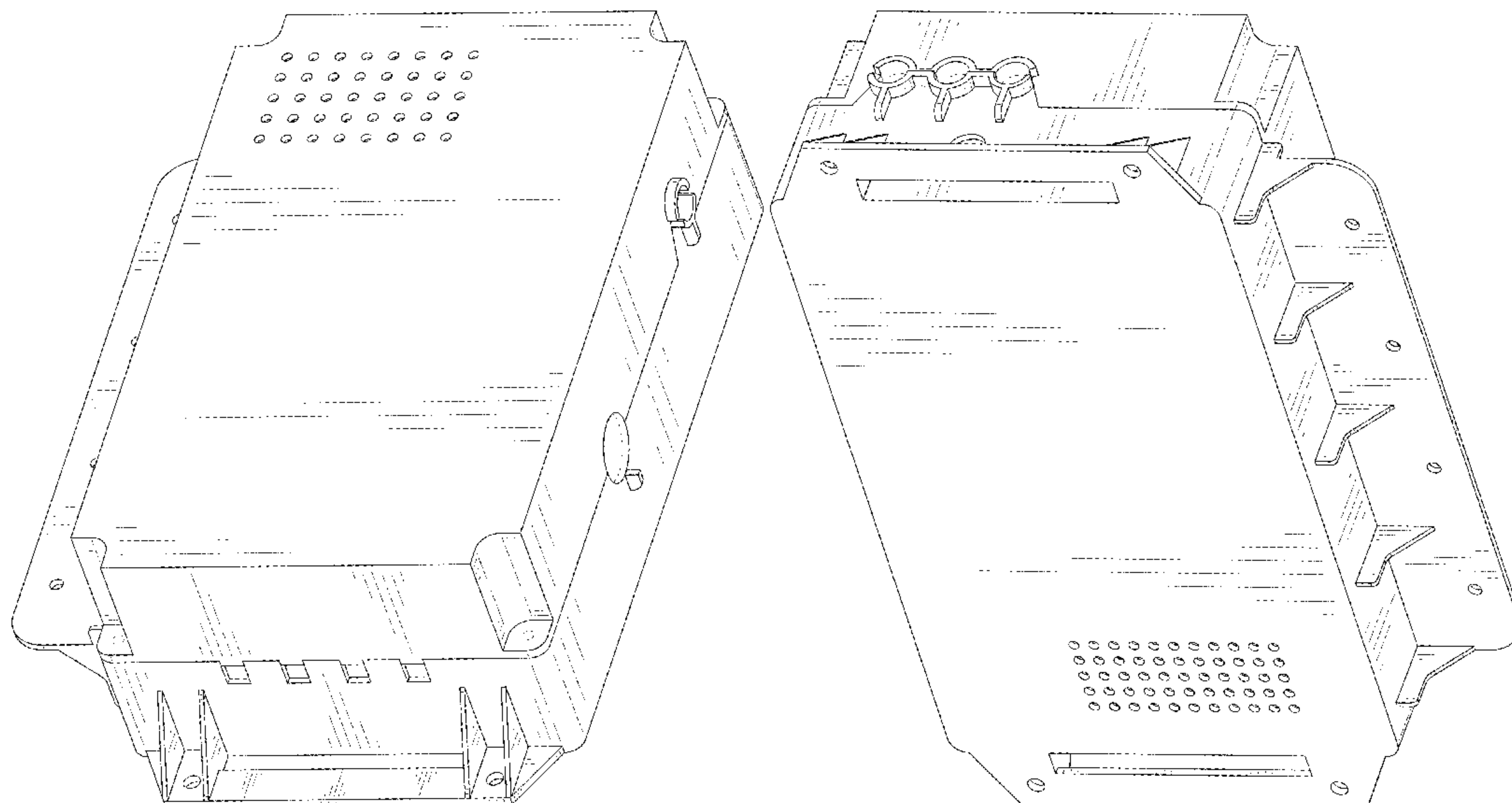
(57) **CLAIM**

The ornamental design for a control box, as shown and described.

DESCRIPTION

FIG. 1 is a perspective view of a control box showing my new design;
FIG. 2 is another perspective view thereof;
FIG. 3 is a front elevational view thereof;
FIG. 4 is a rear elevational view thereof;
FIG. 5 is a left side elevational view thereof;
FIG. 6 is a right side elevational view thereof;
FIG. 7 is a top plan view thereof; and,
FIG. 8 is a bottom plan view thereof.
The broken lines in the drawings depict portions of the control box that form no part of the claimed design.

1 Claim, 8 Drawing Sheets



(56)

References Cited

U.S. PATENT DOCUMENTS

2006/0262512 A1* 11/2006 Klein H05K 5/0021
361/800
2007/0297150 A1* 12/2007 Jensen H05K 5/0021
361/736
2010/0178793 A1* 7/2010 Wu B66F 3/44
439/374
2018/0103536 A1* 4/2018 Pickering H05K 1/0263
2019/0287741 A1* 9/2019 Taaffe H01H 3/20
2021/0153362 A1* 5/2021 Sumida H05K 5/0008

OTHER PUBLICATIONS

Phoenix Contact—2701440—Control box; Allied Electronics & Automation; retrieved on May 27, 2021; 1 pg.; <https://www.alliedelec.com/product/phoenix-contact/2701440/71309868/>.*

ANS-P20 Electrical Control Box; retrieved on May 27, 2021; 1 pg.; <https://www.ebuynails.com/shop/ans-p20-electrical-control-box/>.*

* cited by examiner

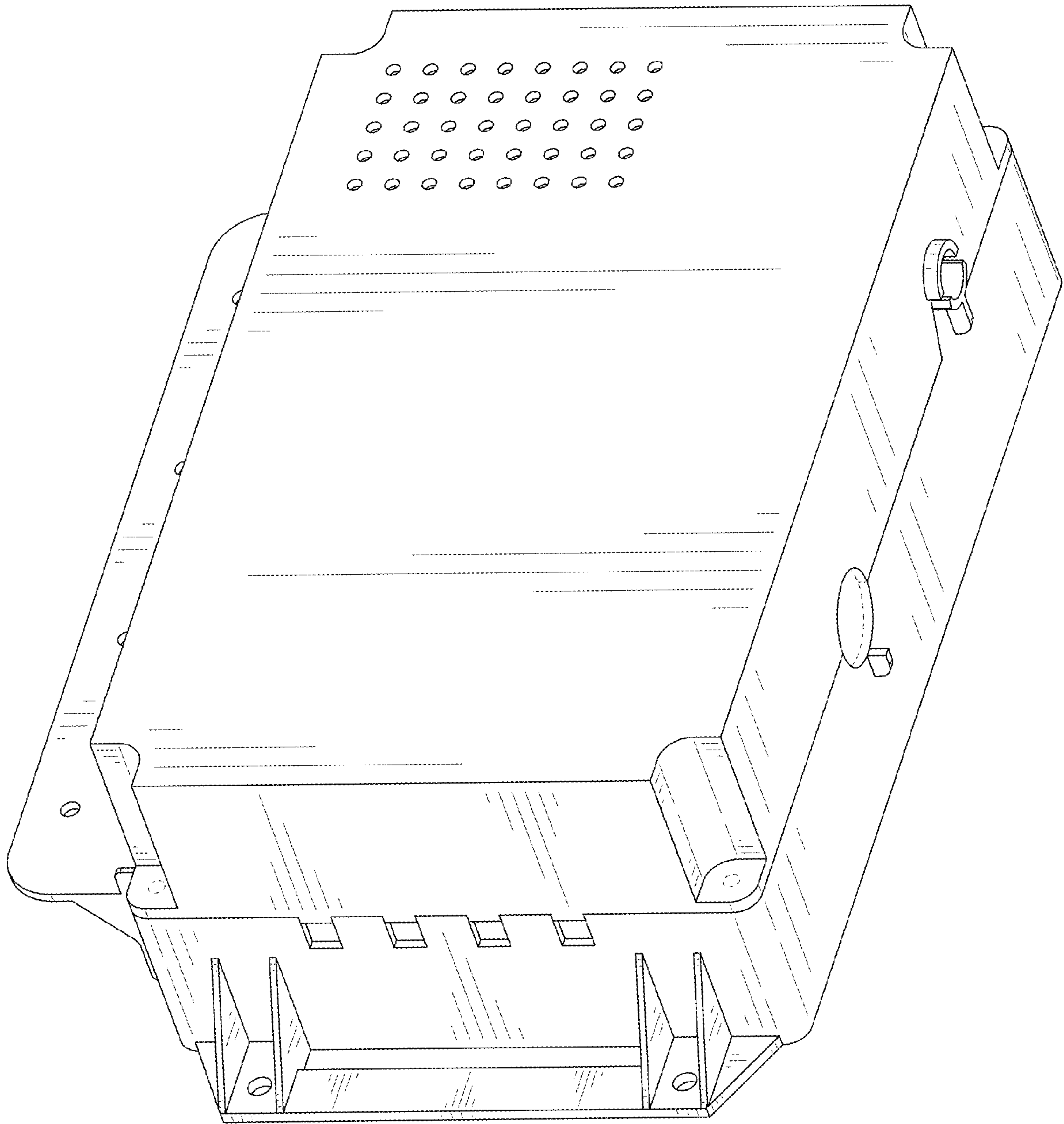


FIG. 1

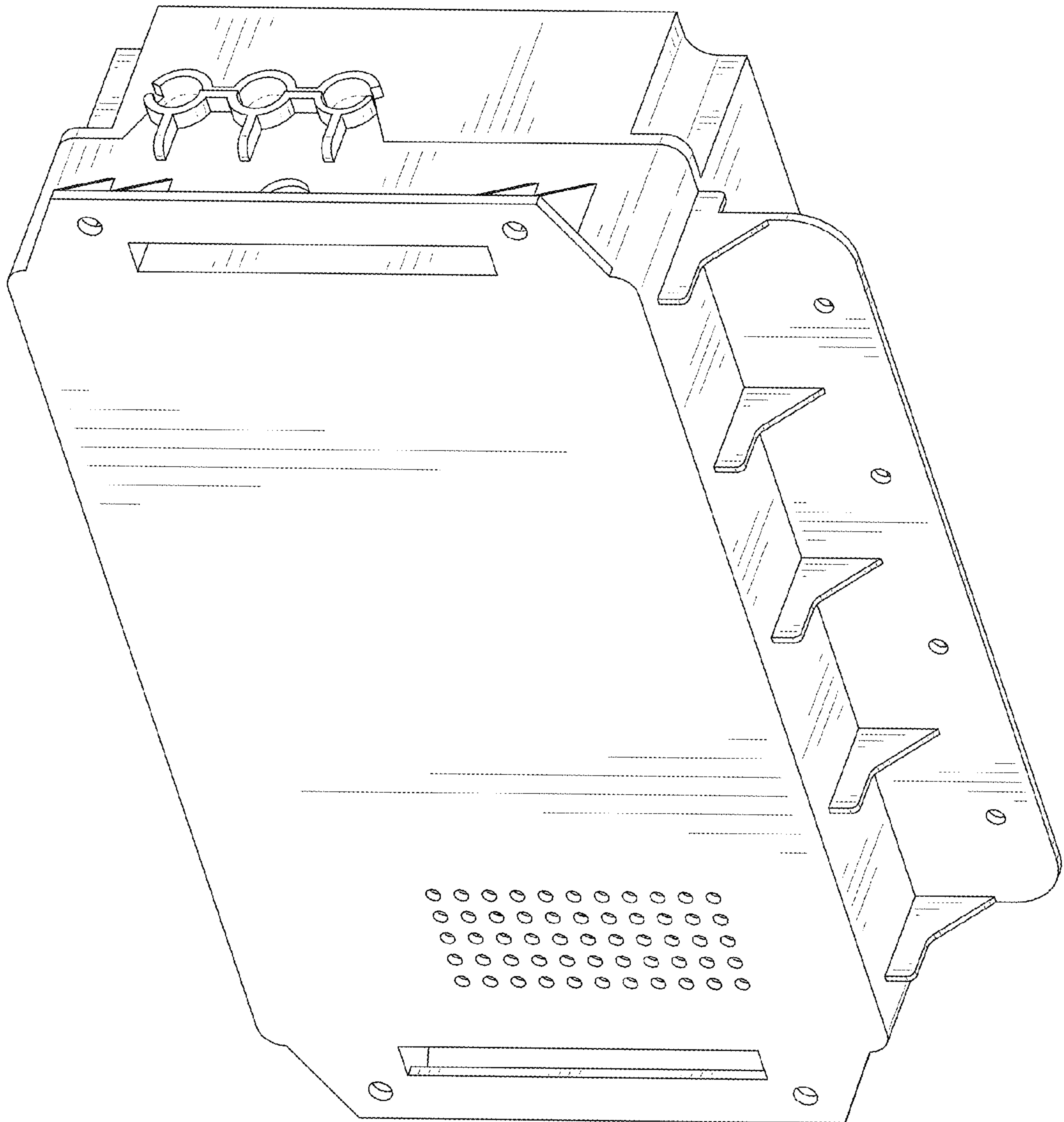


FIG. 2

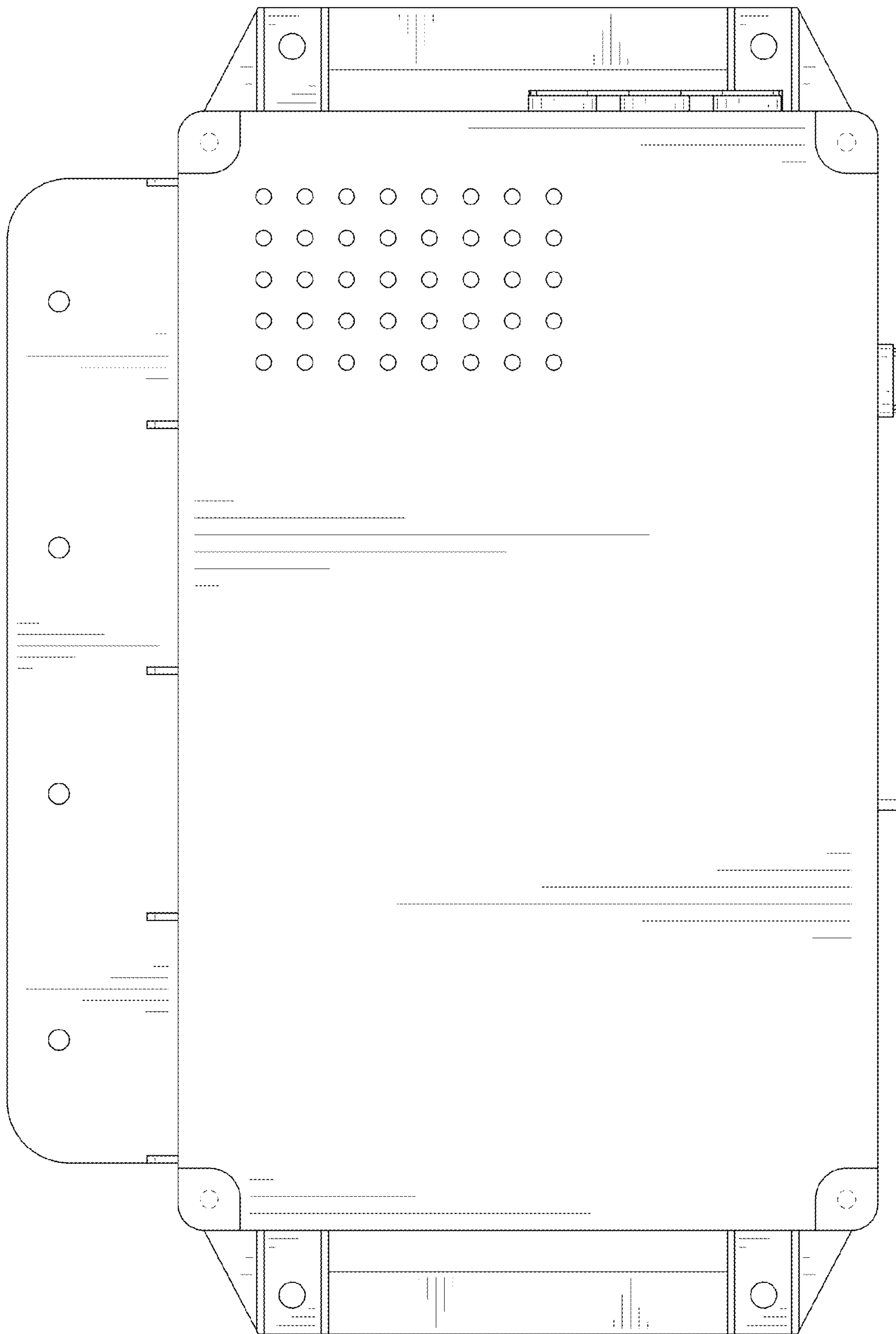


FIG. 3

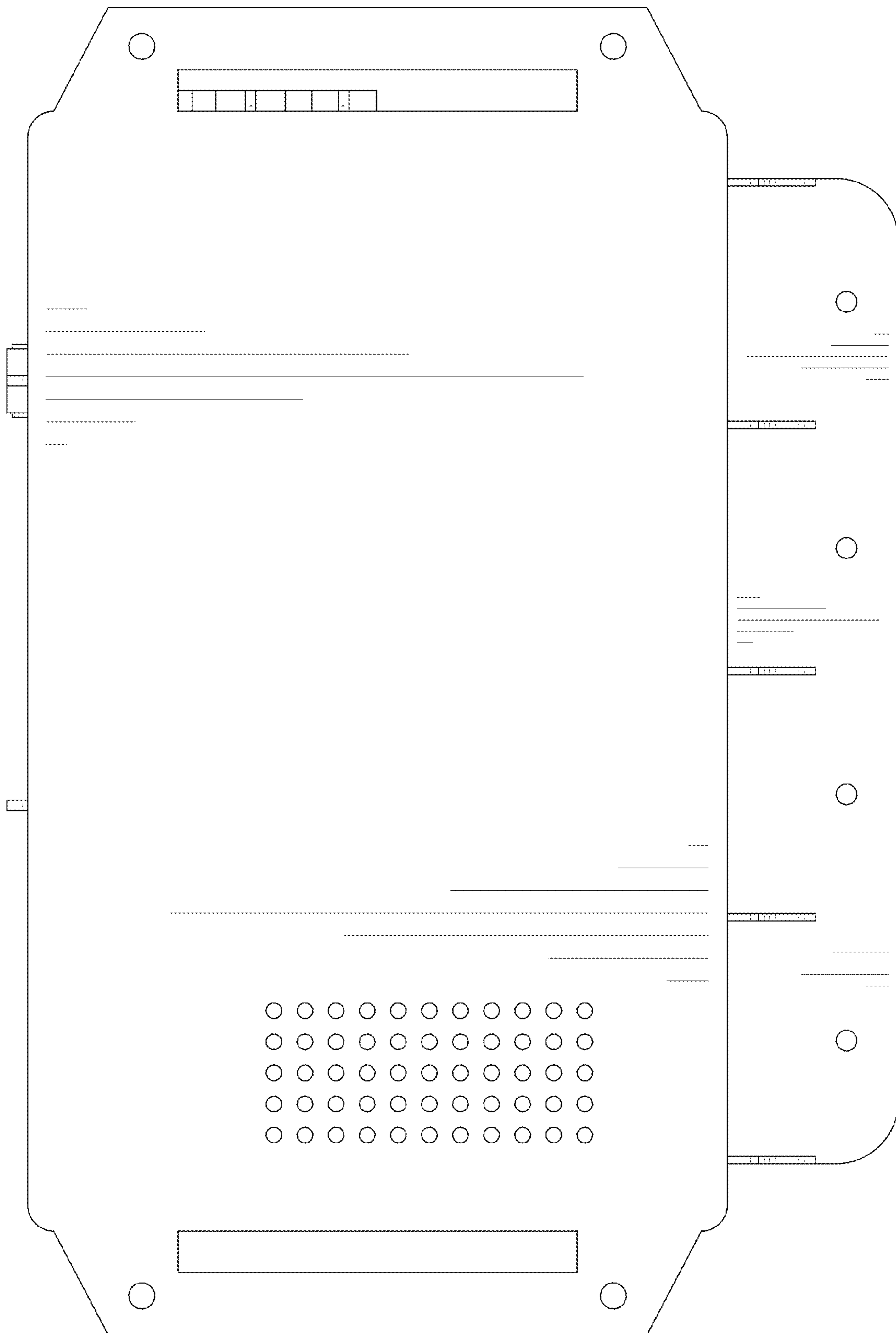


FIG. 4

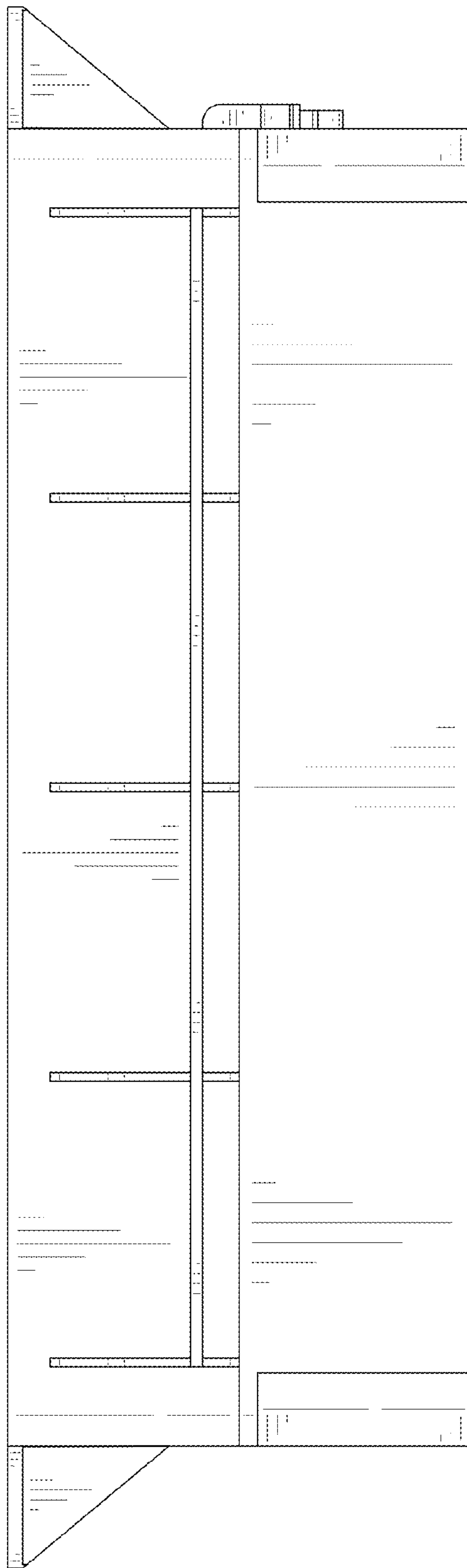


FIG. 5

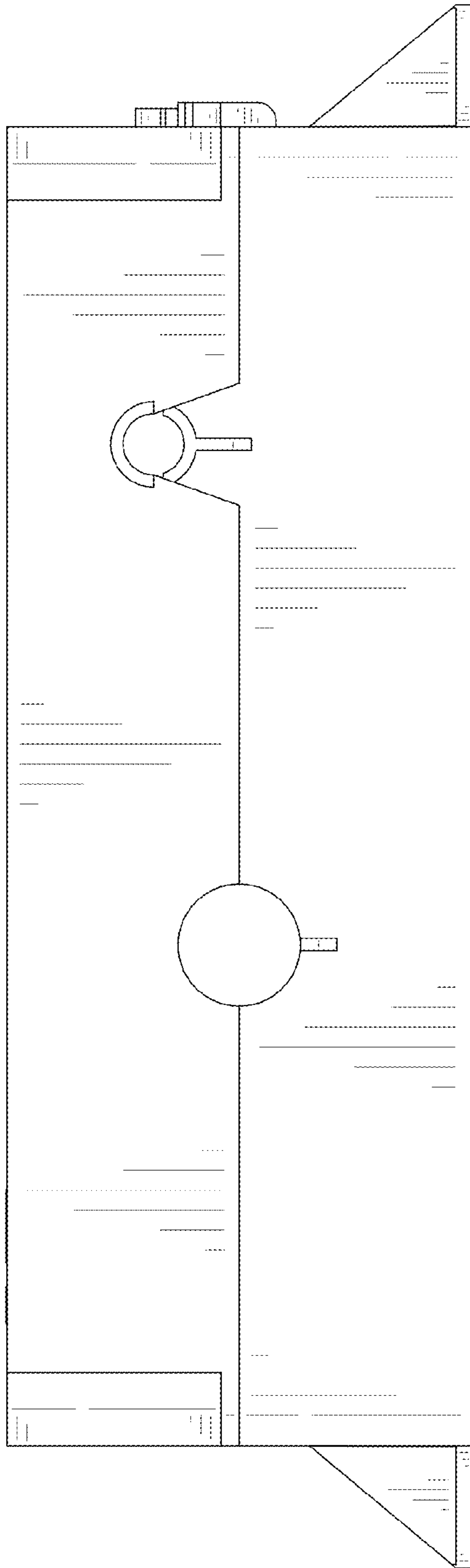


FIG. 6

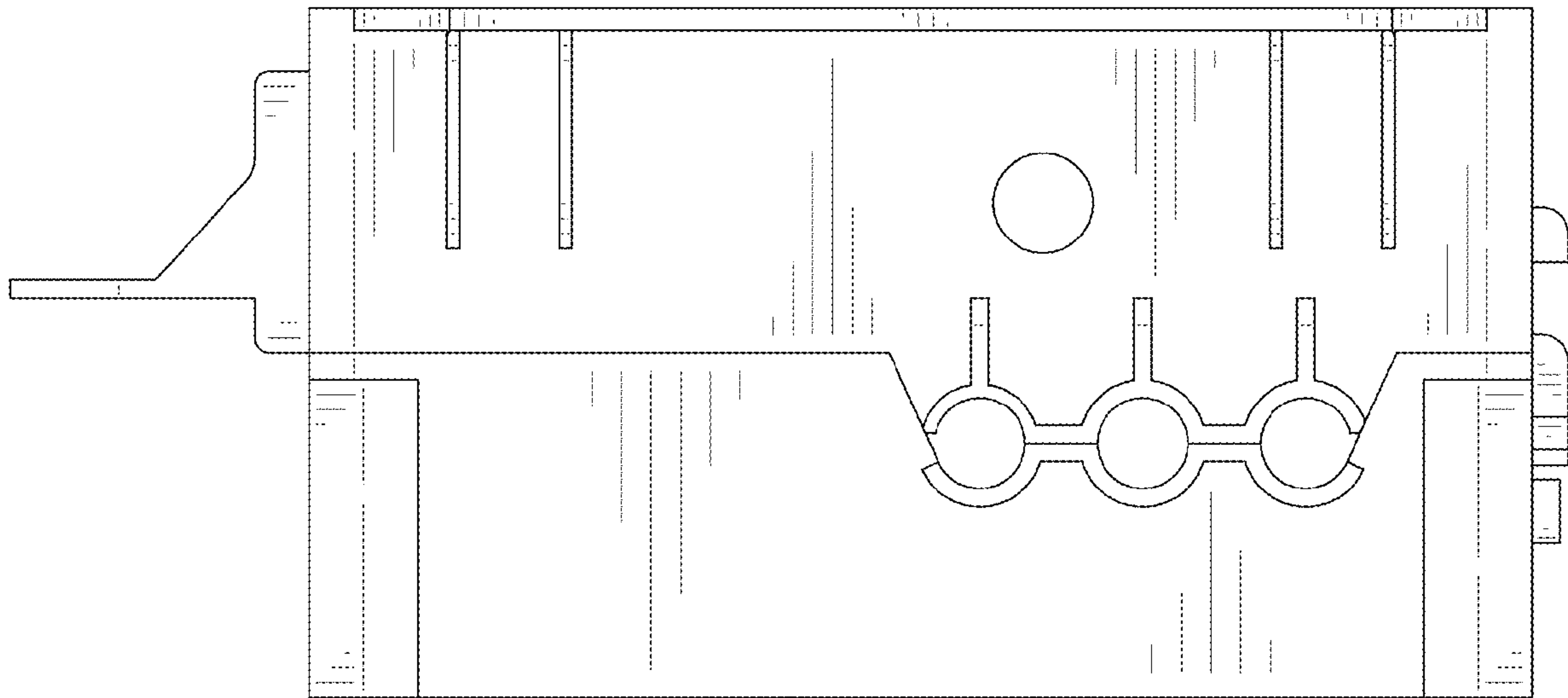


FIG. 7

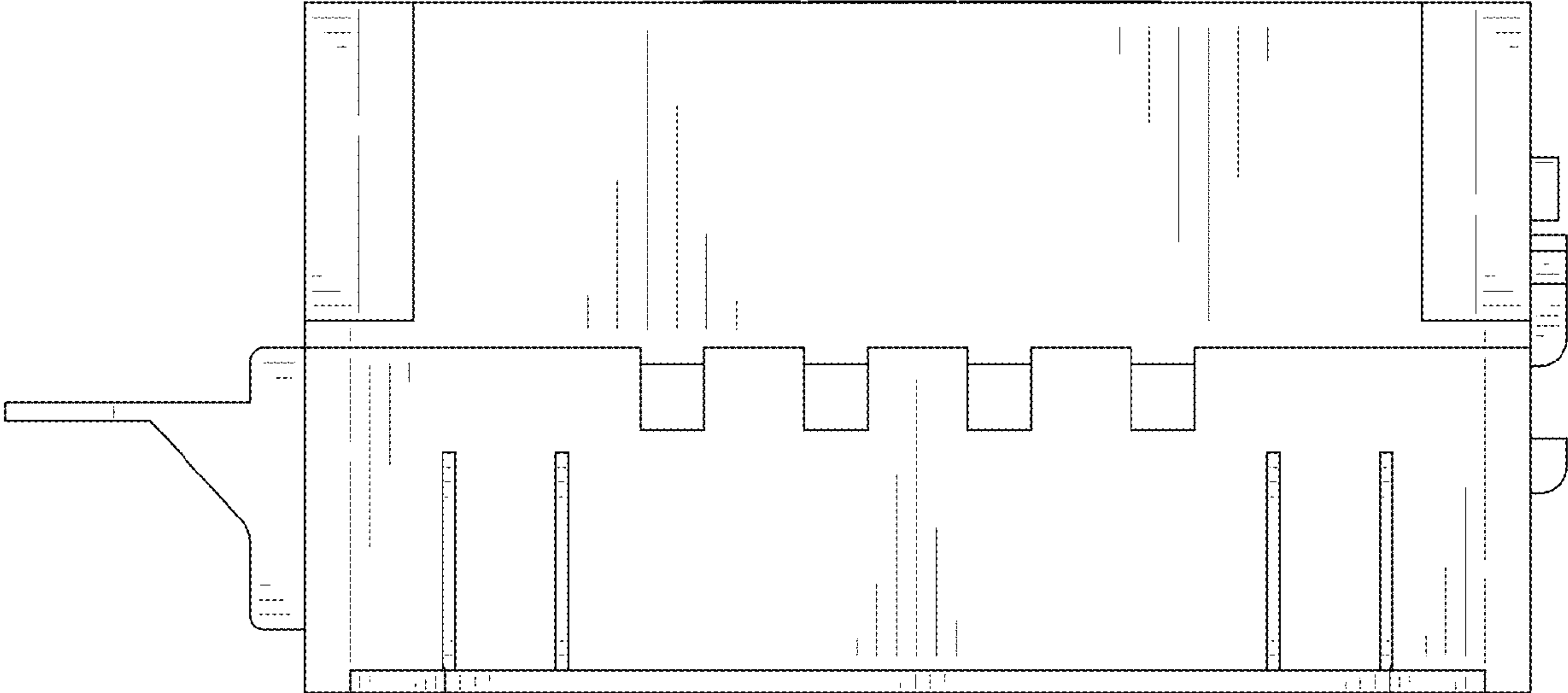


FIG. 8