



US00D924814S

(12) **United States Design Patent**
Smith

(10) **Patent No.:** **US D924,814 S**
(45) **Date of Patent:** **** Jul. 13, 2021**

(54) **ADJUSTABLE TRANSITION COUPLER**

(71) Applicant: **Bridgeport Fittings, LLC**, Stratford, CT (US)

(72) Inventor: **Lawrence J. Smith**, Stamford, CT (US)

(73) Assignee: **Bridgeport Fittings, LLC**, Stratford, CT (US)

(**) Term: **15 Years**

(21) Appl. No.: **29/731,921**

(22) Filed: **Apr. 20, 2020**

D380,197 S *	6/1997	Garcia	D13/152
7,563,100 B1	7/2009	Smith		
D600,650 S *	9/2009	Smith	D13/133
D600,651 S *	9/2009	Smith	D13/133
D601,094 S *	9/2009	Smith	D13/133
7,883,338 B2	2/2011	Smith		
8,007,284 B2	8/2011	Smith		
D648,279 S *	11/2011	Kiely	D13/149
D668,617 S *	10/2012	Kiely	D13/149
D668,618 S *	10/2012	Smith	D13/149
8,466,378 B1 *	6/2013	Gretz	H02G 3/0616 174/659
D689,026 S	9/2013	Smith		
D691,693 S	10/2013	Smith		
D691,963 S *	10/2013	Smith	D13/155
D703,519 S *	4/2014	Senseney	D8/382
8,690,194 B1	4/2014	Smith		
D754,303 S *	4/2016	Smith	D23/259

(Continued)

Related U.S. Application Data

(63) Continuation-in-part of application No. 29/693,003, filed on May 30, 2019.

(51) **LOC (13) Cl.** **13-03**

(52) **U.S. Cl.**
USPC **D13/155**

(58) **Field of Classification Search**
USPC D13/155, 133, 146, 149, 151, 153, 154, D13/156, 184, 199; D8/71, 73, 349, 354, D8/382, 394, 395, 396; D23/259, 262, D23/265, 269, 314, 386
CPC F16L 25/065; F16L 25/0036; F16L 25/01
See application file for complete search history.

(56) **References Cited**

U.S. PATENT DOCUMENTS

2,111,243 A *	3/1938	Hecht	F16L 25/08 285/404
D188,025 S *	5/1960	Curtiss	D23/265
D188,026 S *	5/1960	Curtiss	D23/265
D201,183 S *	5/1965	Sanders	D13/152
3,556,566 A *	1/1971	Bromberg	F16L 5/00 285/149.1
D336,282 S *	6/1993	Guginsky	D13/133

Primary Examiner — Sandra Snapp

Assistant Examiner — Ieisha N Price

(74) *Attorney, Agent, or Firm* — Ware, Fressola, Maguire & Barber LLP

(57) **CLAIM**

The ornamental design for an adjustable transition coupler, as shown and described.

DESCRIPTION

FIG. 1 is a front perspective view of an adjustable transition coupler showing my new design.

FIG. 2 is a top view thereof.

FIG. 3 is a right side view thereof.

FIG. 4 is a left side view thereof.

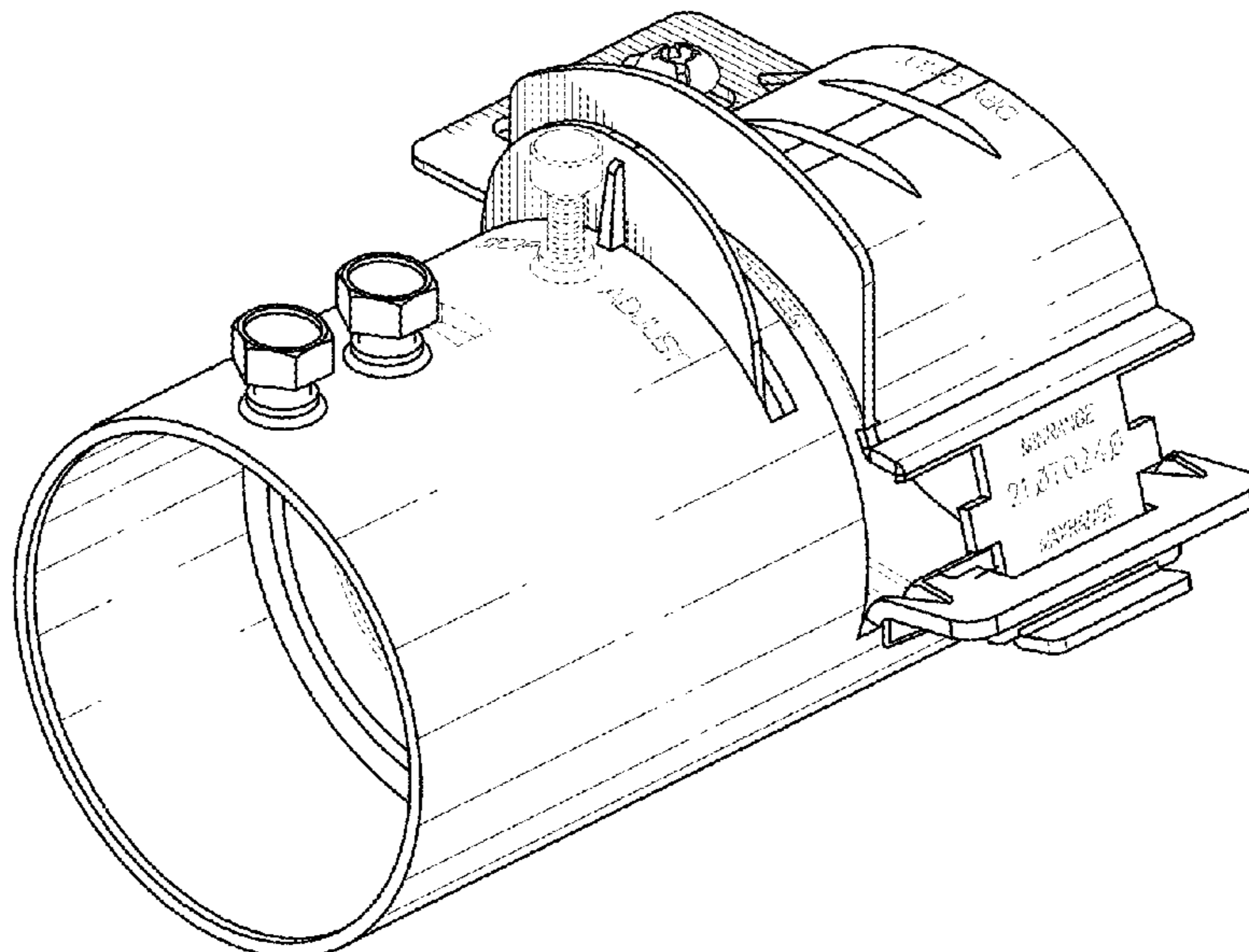
FIG. 5 is a bottom view thereof.

FIG. 6 is a front view thereof; and,

FIG. 7 is a rear view thereof.

The broken lines in the drawings illustrate portions of the adjustable transition coupler that form no part of the claimed design.

1 Claim, 6 Drawing Sheets



(56)

References Cited

U.S. PATENT DOCUMENTS

D755,728 S * 5/2016 Smith D13/155
9,343,883 B2 5/2016 Decesare et al.
9,373,919 B1 6/2016 Smith
D769,422 S * 10/2016 Whiteley D23/262
D771,569 S * 11/2016 Smith D13/151
D782,621 S * 3/2017 Smith D23/259
D788,043 S * 5/2017 Smith D13/151
9,705,295 B1 * 7/2017 Smith H02G 3/0616
9,787,070 B2 10/2017 Decesare et al.
10,056,746 B1 8/2018 Smith
D838,676 S 1/2019 Smith
D840,948 S 2/2019 Smith
D843,952 S 3/2019 Smith
10,240,694 B2 3/2019 Decesare et al.
D845,251 S 4/2019 Smith
2018/0323591 A1 * 11/2018 Smith H02G 3/0616

* cited by examiner

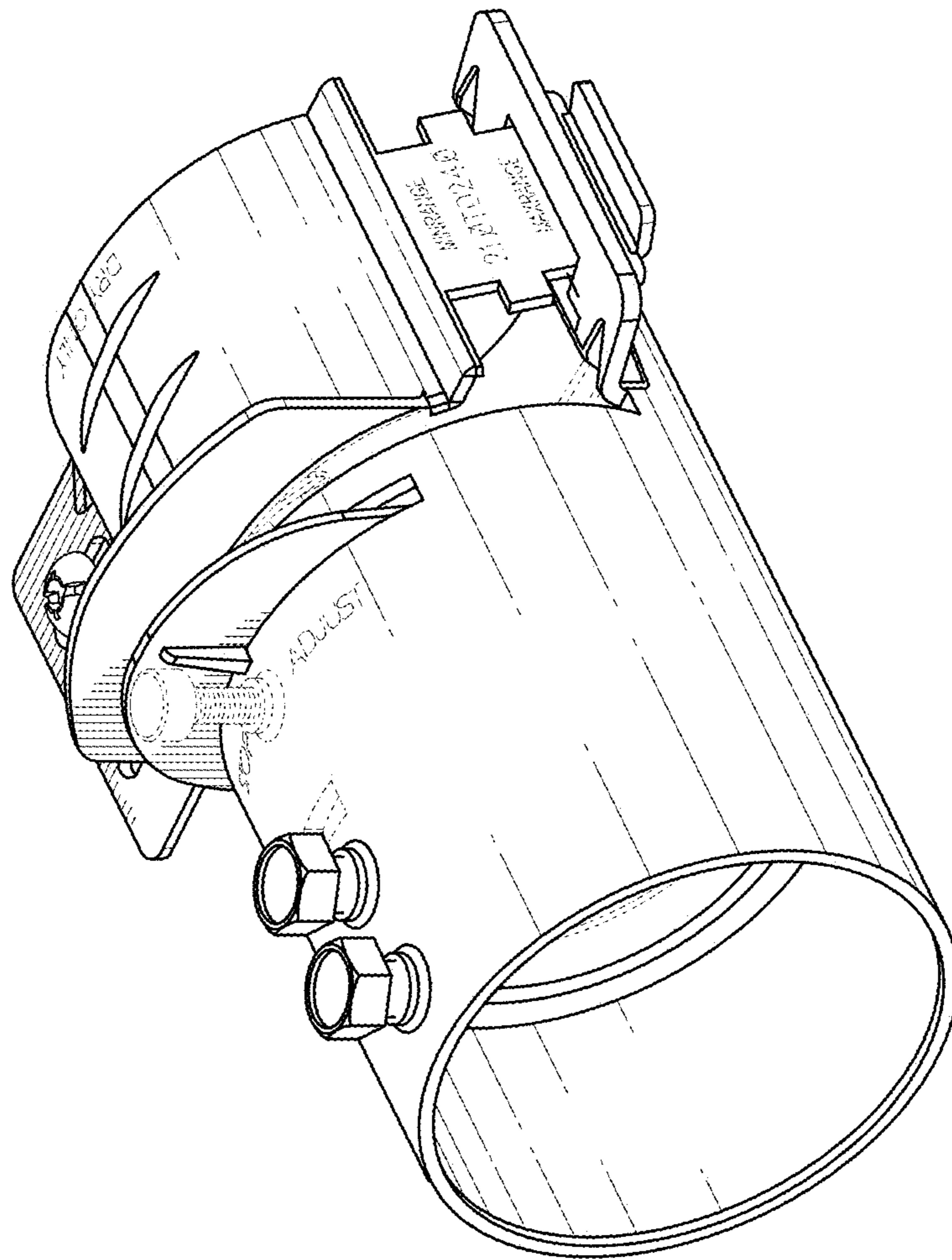


FIG. 1

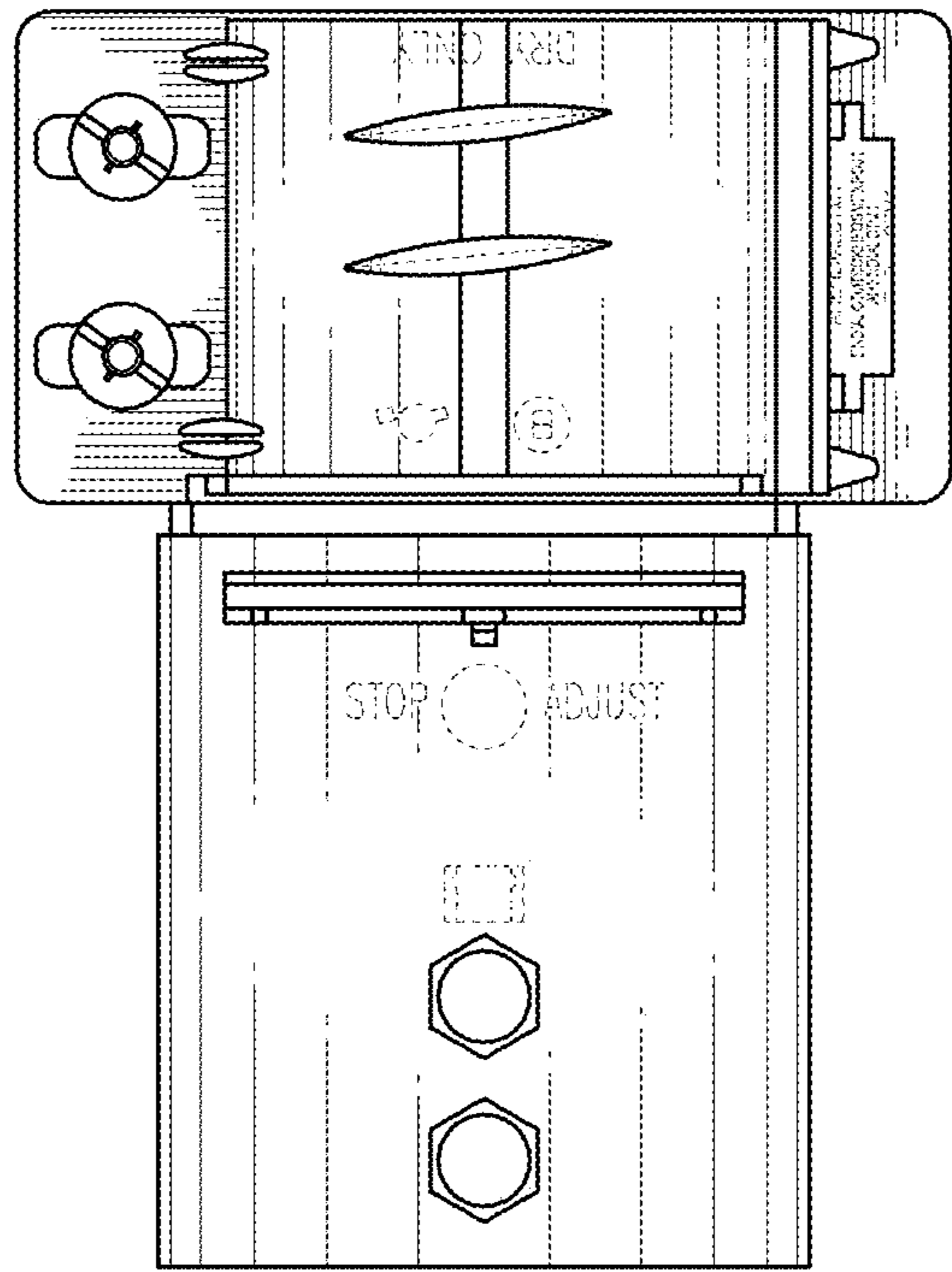


FIG. 2

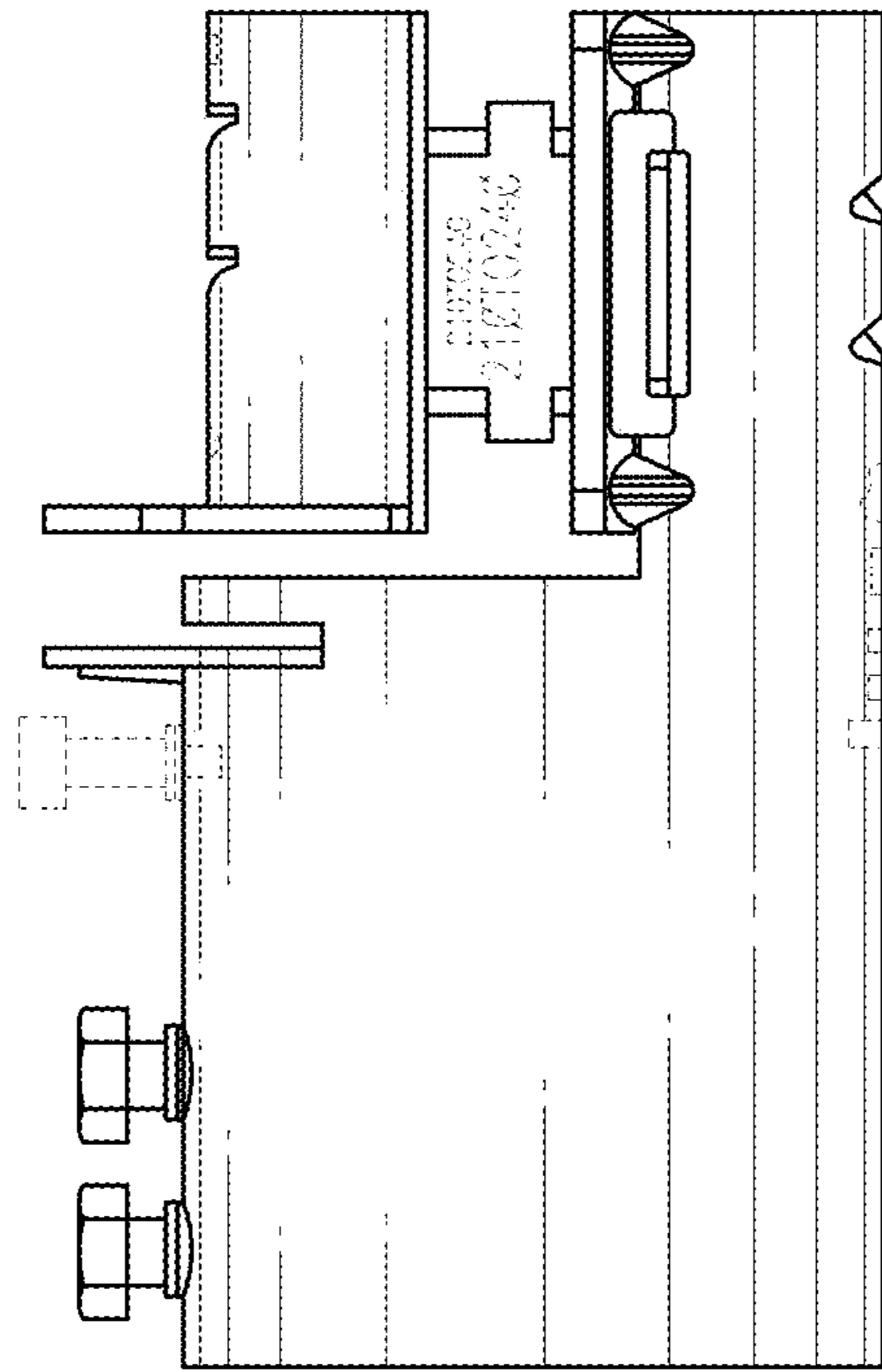


FIG. 3

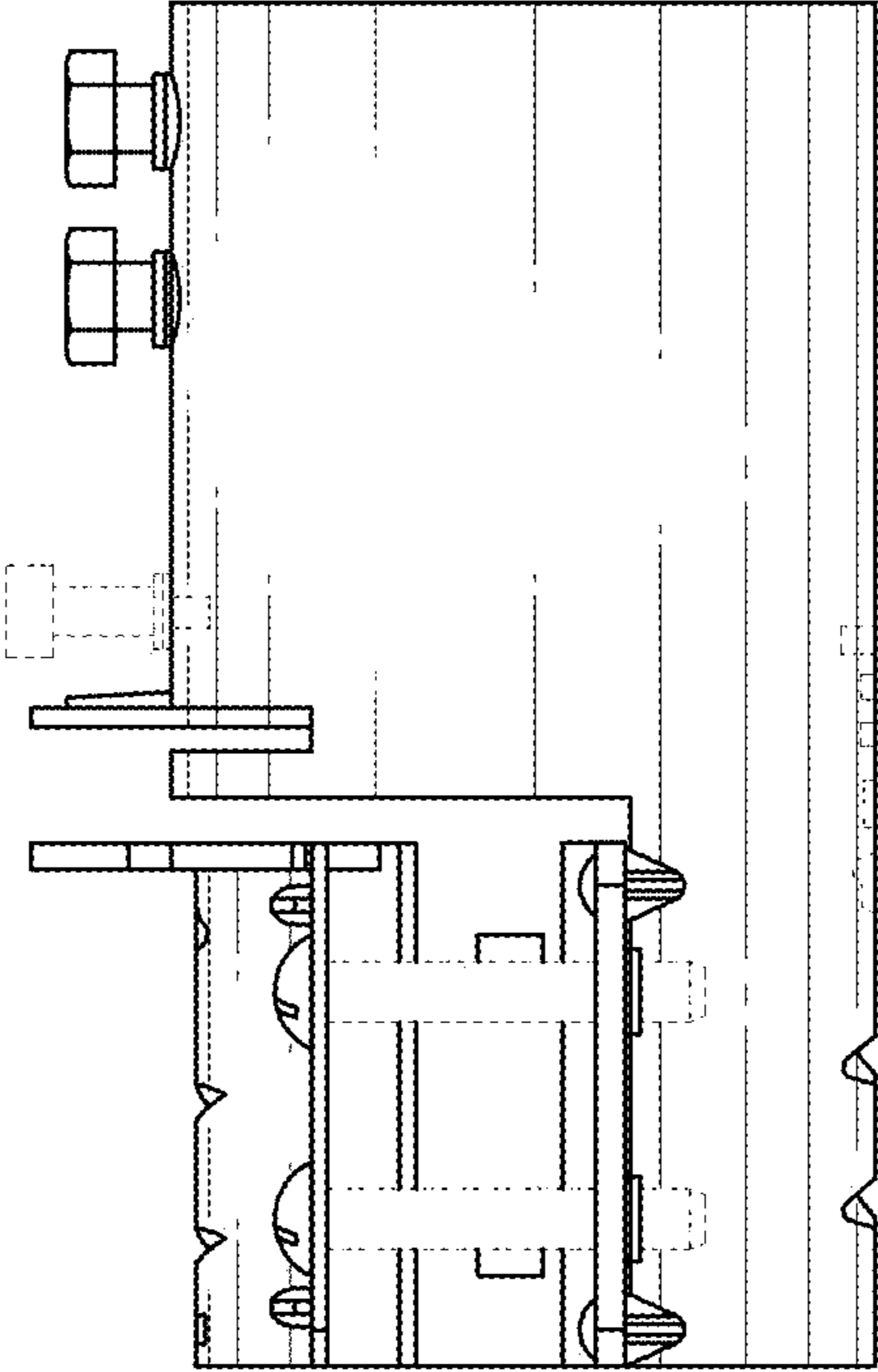


FIG. 4

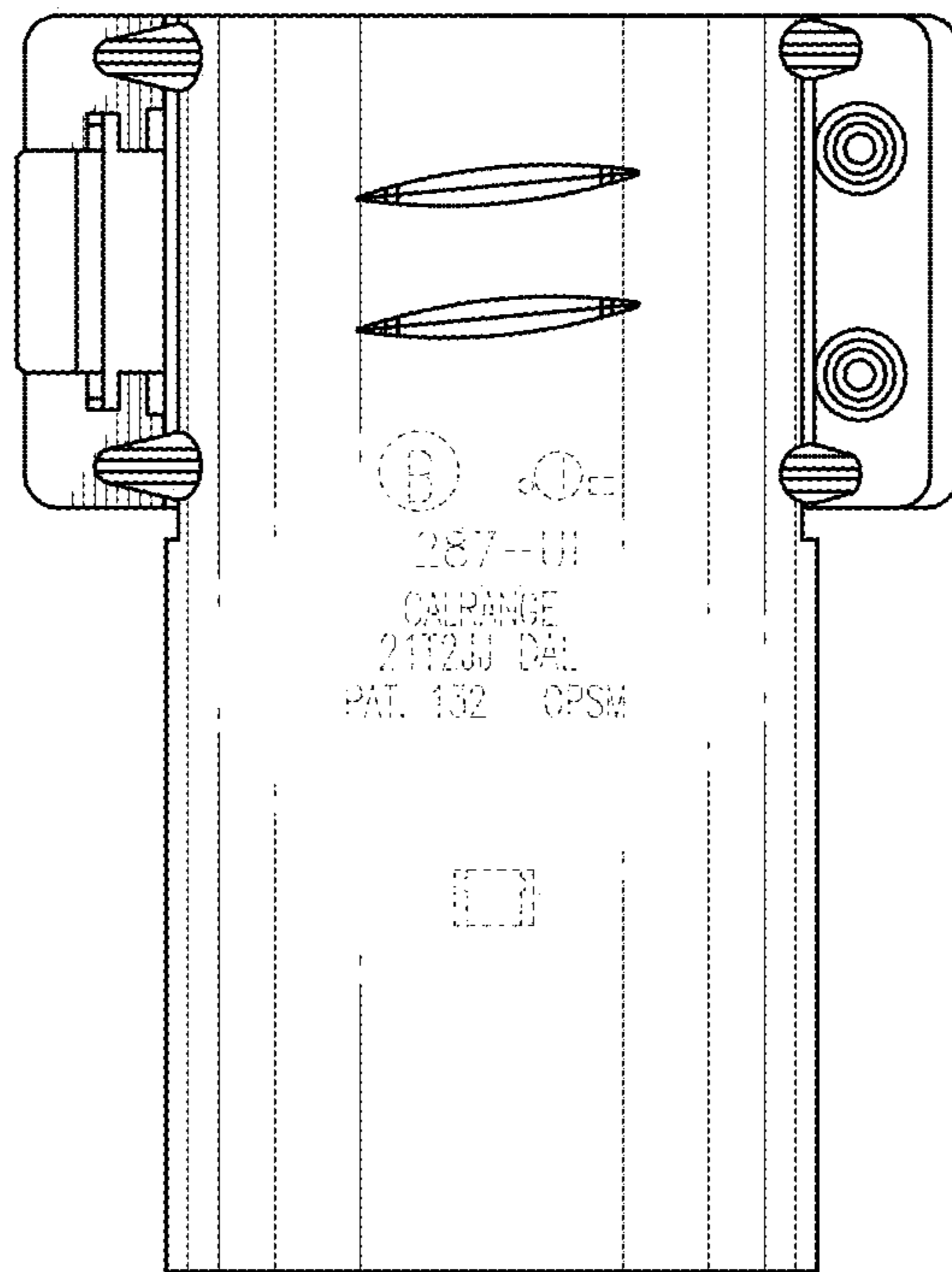


FIG. 5

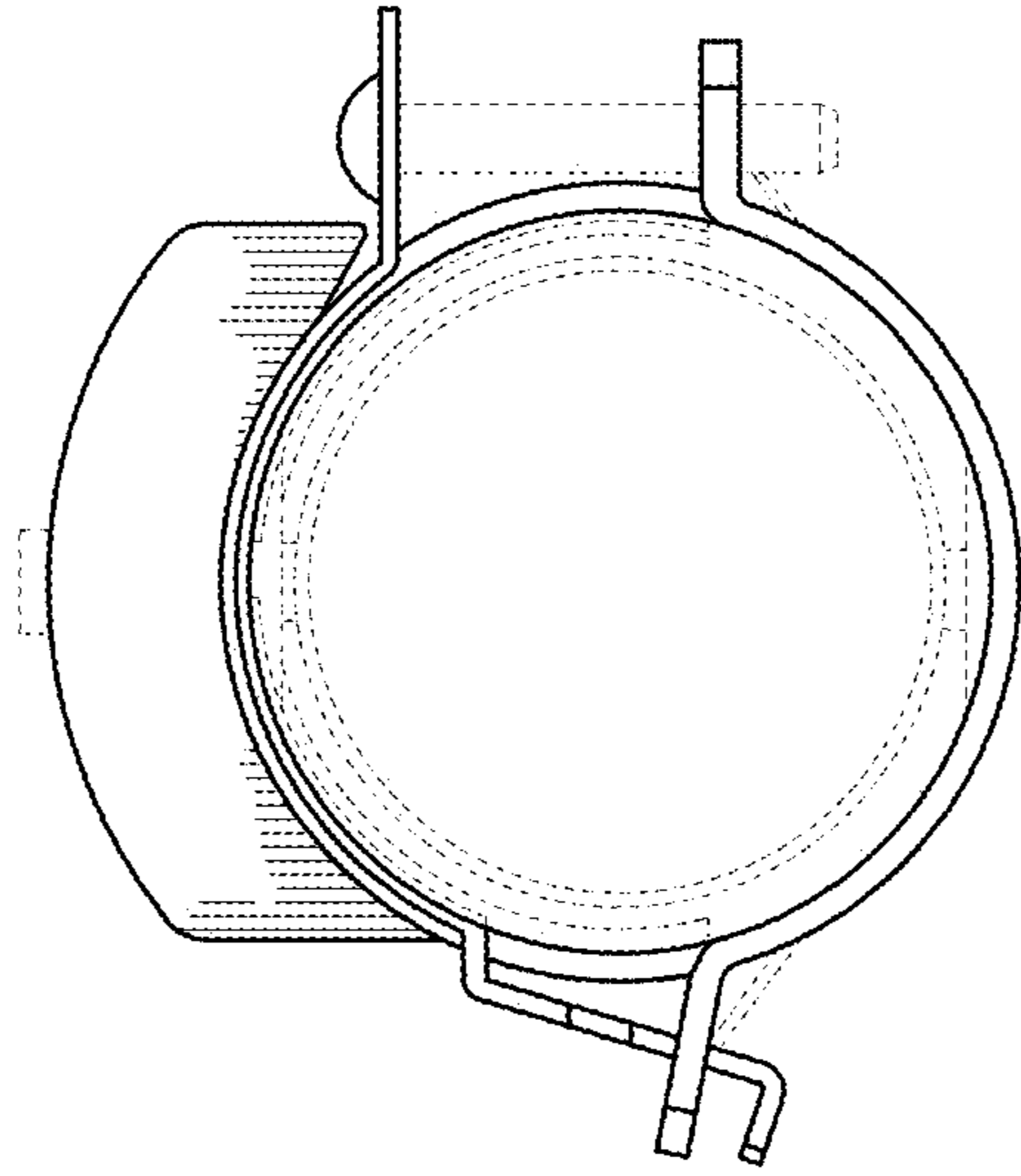


FIG. 7

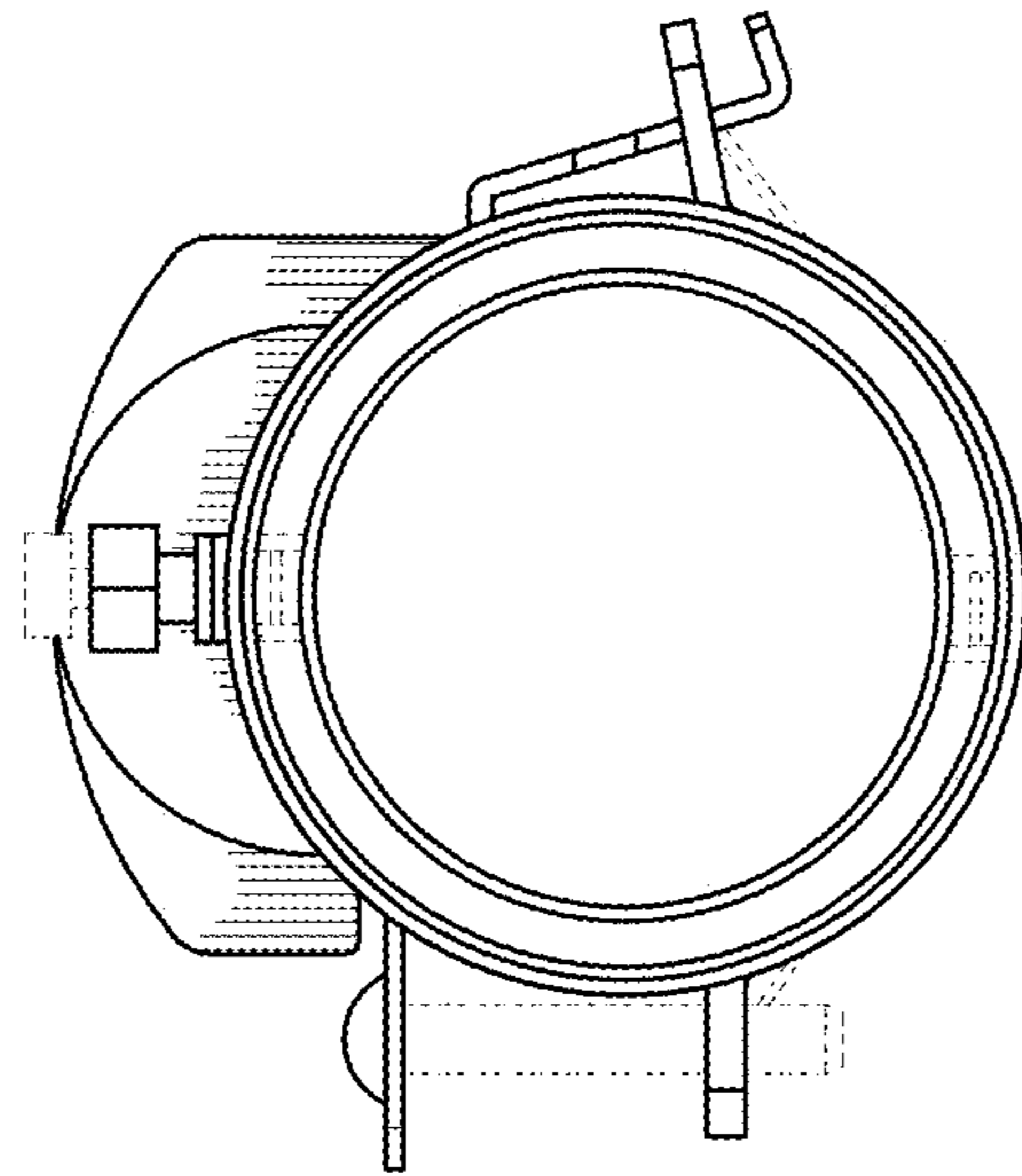


FIG. 6