



US00D924813S

(12) **United States Design Patent** (10) **Patent No.:** **US D924,813 S**
Bailey (45) **Date of Patent:** **** Jul. 13, 2021**

(54) **CABLE MANAGEMENT SYSTEM**
(71) Applicant: **Logan Bailey**, Provo, UT (US)
(72) Inventor: **Logan Bailey**, Provo, UT (US)
(**) Term: **15 Years**
(21) Appl. No.: **29/712,121**
(22) Filed: **Nov. 5, 2019**
(51) **LOC (13) Cl.** **13-03**
(52) **U.S. Cl.**
USPC **D13/155**
(58) **Field of Classification Search**
USPC D13/110, 123, 133, 137.1, 139.1, 139.4,
D13/152, 154, 155, 156, 158, 162, 164,
D13/173, 177, 184; D8/349-351, 353;
D14/238, 371-379, 447; D24/185
CPC H02G 3/14; H02G 3/081; H01R 13/6395;
H01R 13/447; H01R 25/006
See application file for complete search history.

D840,947 S * 2/2019 Pierce D13/155
D844,969 S * 4/2019 Xiao D3/201
D863,228 S * 10/2019 Qi D13/155
D875,508 S * 2/2020 Bailey D8/358
D890,696 S * 7/2020 Sweet D13/108

* cited by examiner

Primary Examiner — Jennifer O King
(74) *Attorney, Agent, or Firm* — Superior IP, PLLC;
Dustin Call

(57) **CLAIM**

The ornamental design for a cable management system, as shown and described.

DESCRIPTION

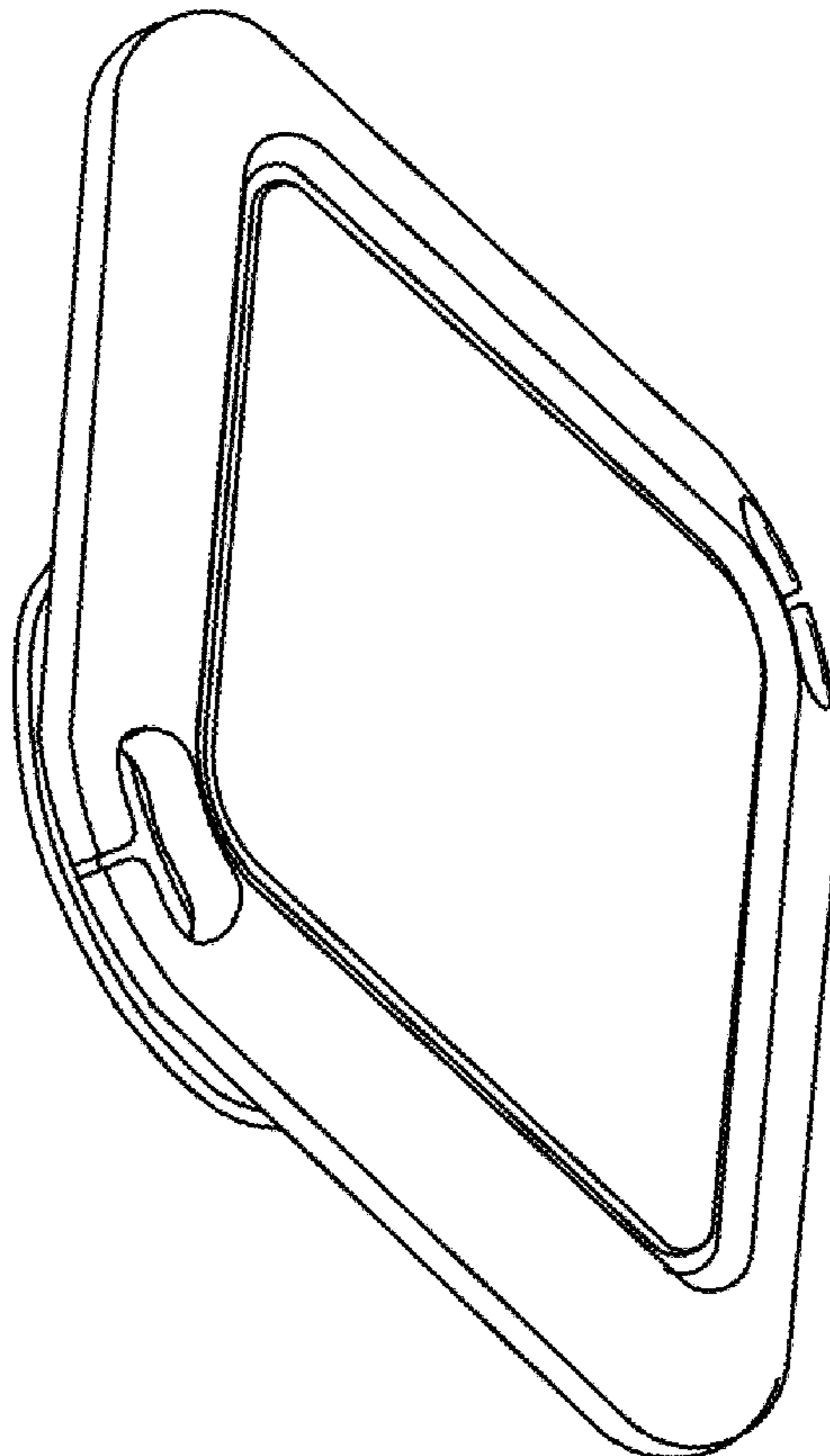
FIG. 1 illustrates a front view of the cable management system;
FIG. 2 illustrates a rear view of the cable management system;
FIG. 3 illustrates a side view of the cable management system, with the top, bottom and opposing side views mirror images thereof;
FIG. 4 illustrates a front side perspective view of the cable management system; and,
FIG. 5 illustrates a rear side perspective view of the cable management system.

1 Claim, 3 Drawing Sheets

(56) **References Cited**

U.S. PATENT DOCUMENTS

D173,629 S * 12/1954 Schlage D8/353
D721,335 S * 1/2015 Smeja D13/155
D784,791 S * 4/2017 Aragaw D8/353
D795,820 S * 8/2017 Wengreen D13/155
9,991,627 B1 * 6/2018 Hemme H01R 13/6395



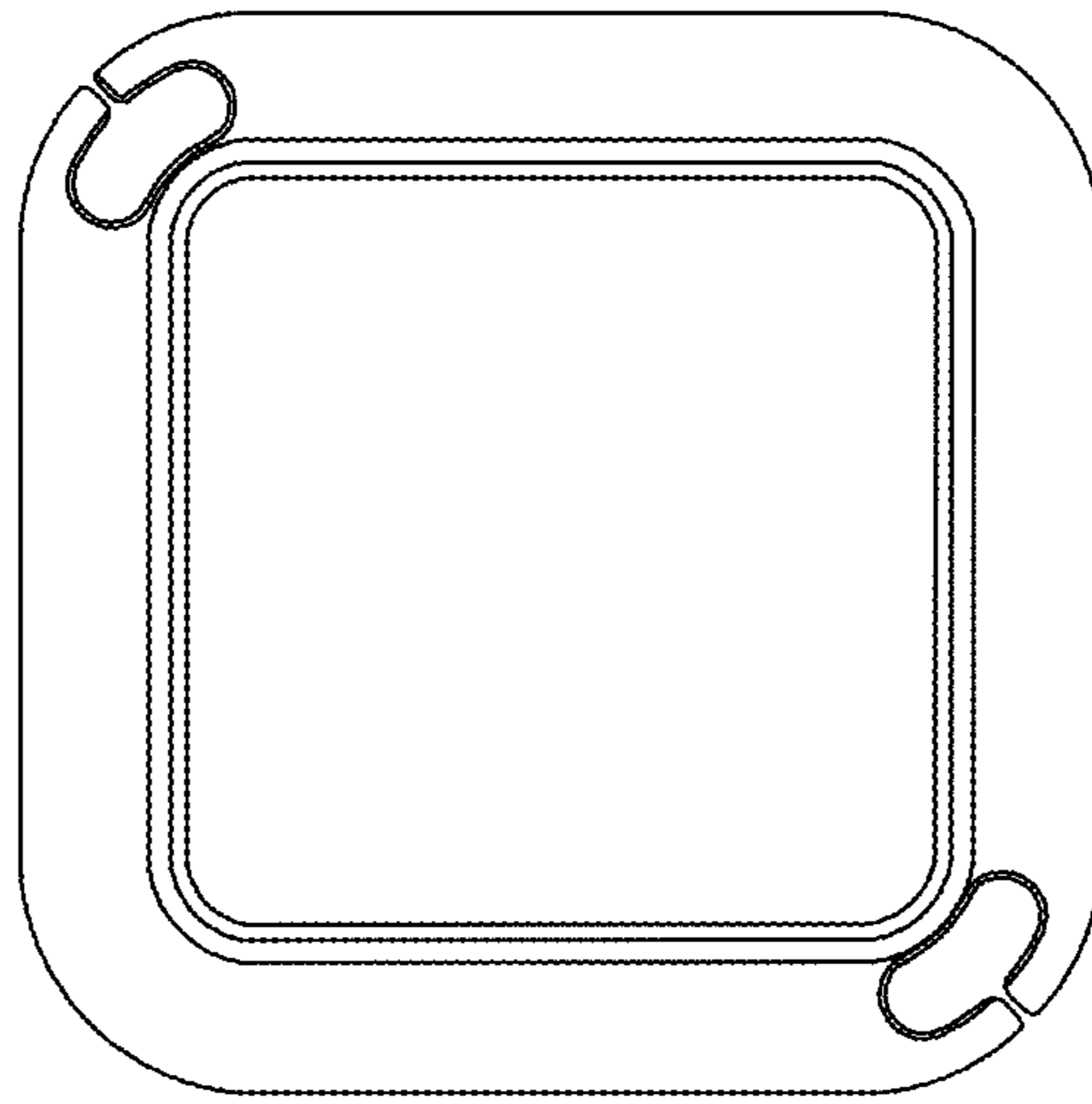


FIG. 1

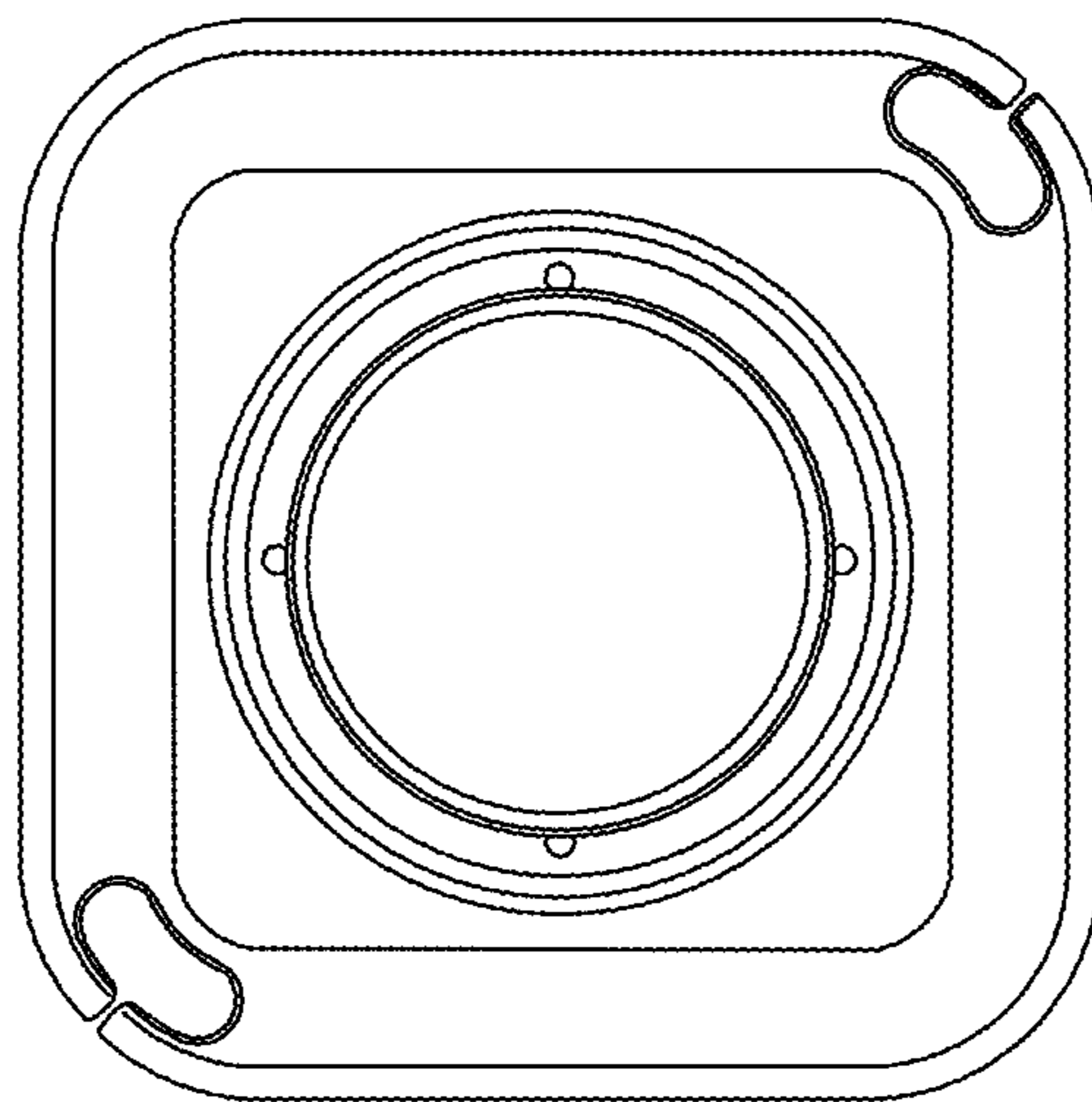


FIG. 2

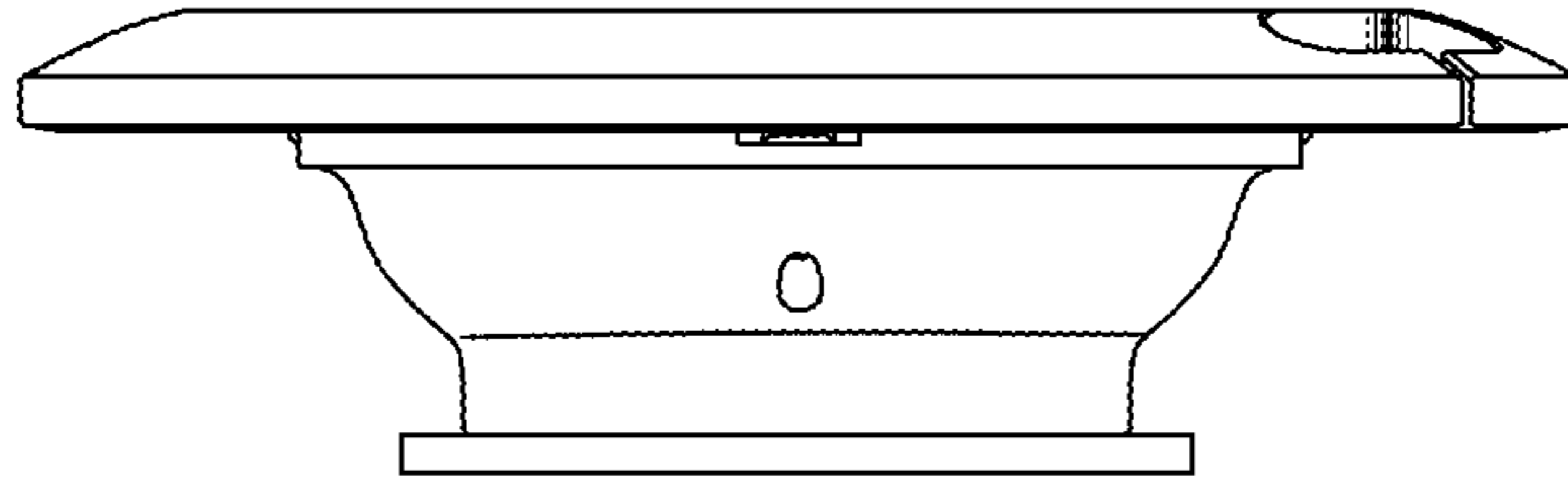


FIG. 3

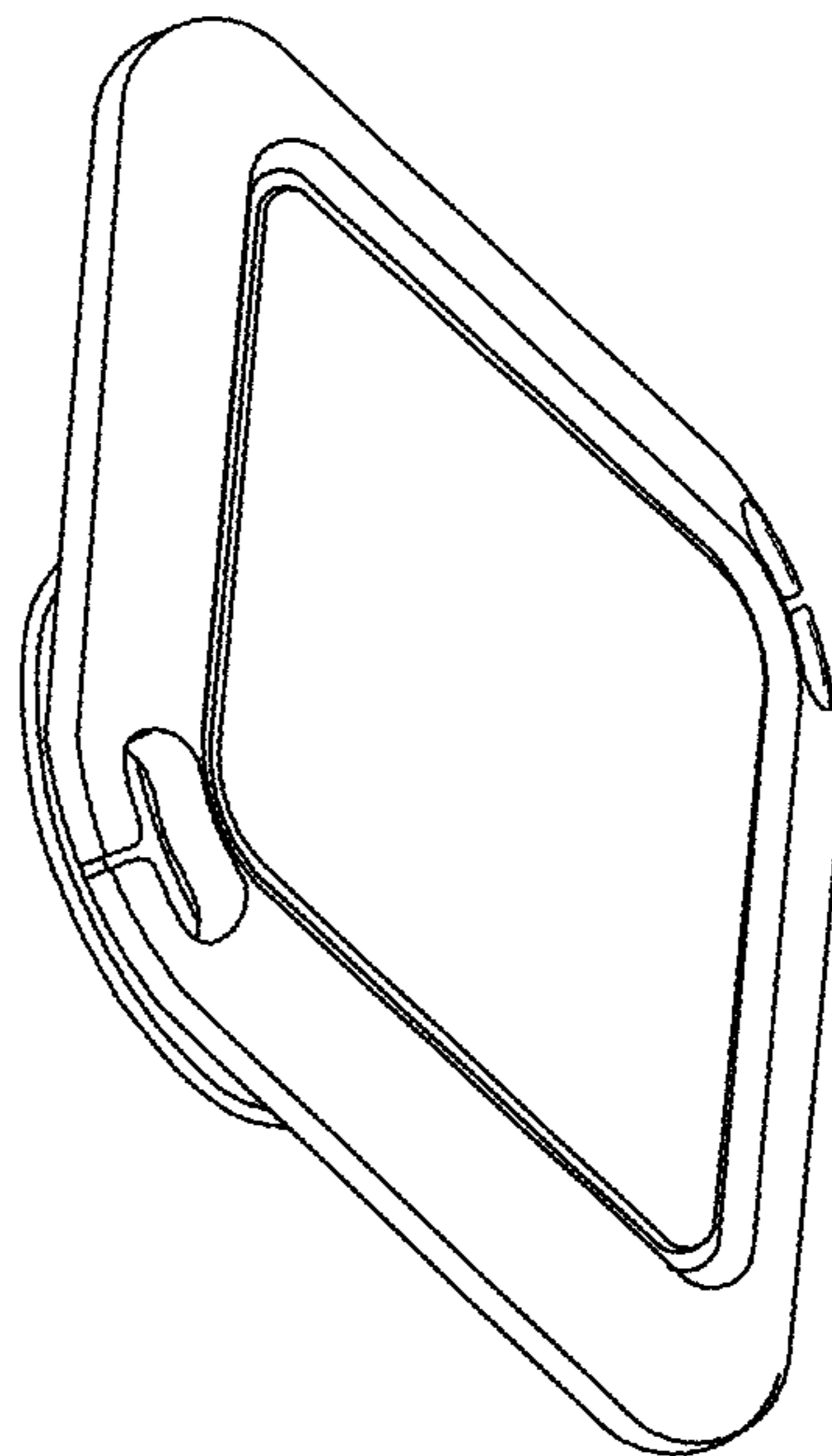


FIG. 4

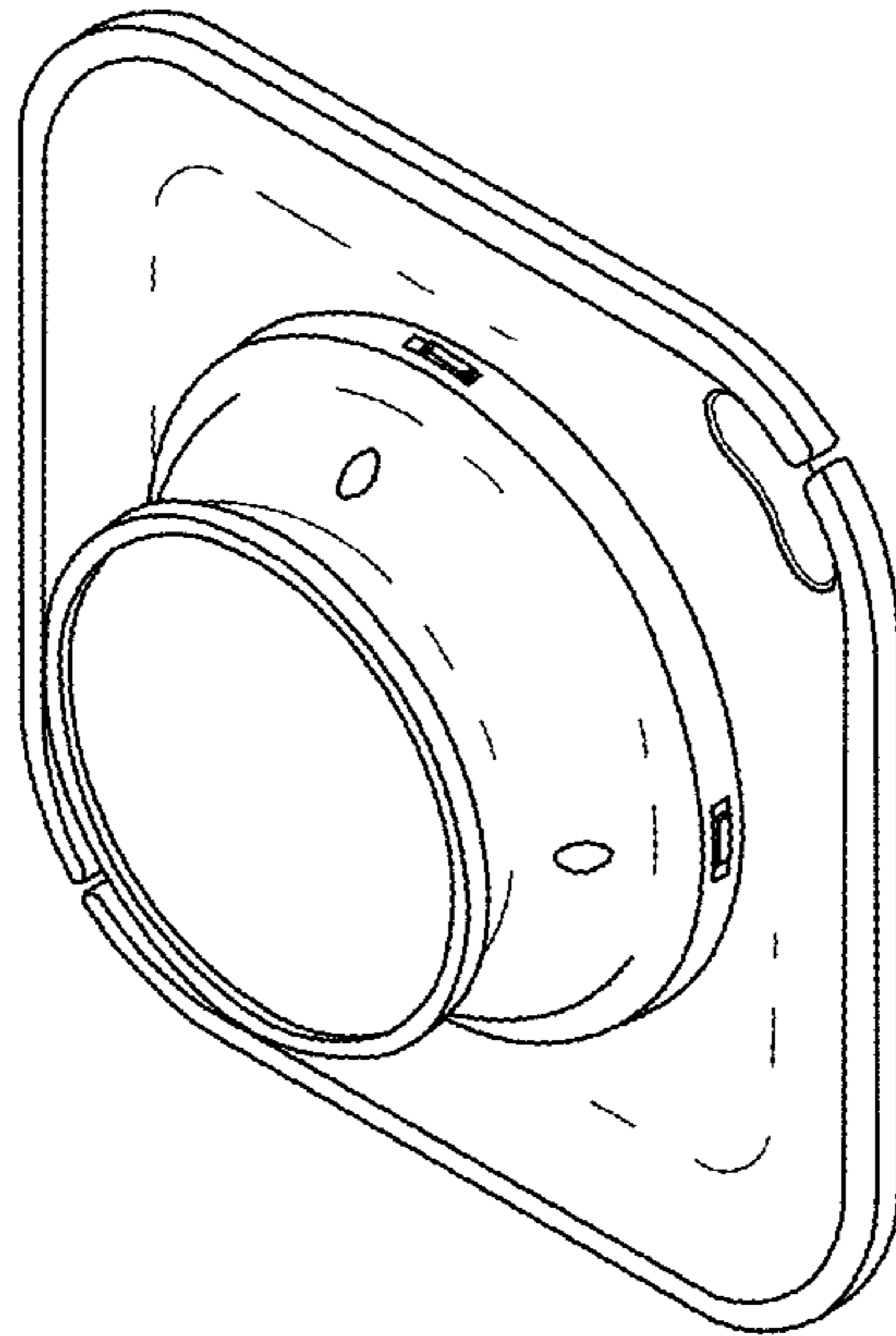


FIG. 5