



US00D924812S

(12) **United States Design Patent**
Zantout et al.

(10) **Patent No.:** **US D924,812 S**
(45) **Date of Patent:** **** Jul. 13, 2021**

(54) **CABLE LACE ACTUATOR TIP**

FOREIGN PATENT DOCUMENTS

(71) Applicant: **DANIELS MANUFACTURING CORPORATION**, Orlando, FL (US)

EP 0521199 A1 1/1993
WO 20130003471 A1 1/2013

(72) Inventors: **Alan Zantout**, Sycamore, IL (US);
Trevor Fildes, Sycamore, IL (US)

OTHER PUBLICATIONS

(73) Assignee: **DANIELS MANUFACTURING CORPORATION**, Orlando, FL (US)

Exterior Car Door Locks. Genuine Fuel Lid Cap Flap Locking Motor Actuator Solenoid for Vauxhall Mokka. No date specified. <http://archives.midweek.com/Exterior-Car-Door-Locks/Lid-Cap-Flap-Locking-Motor-Actuator-Solenoid/141937/> (Year: 0).*

(**) Term: **15 Years**

(Continued)

(21) Appl. No.: **29/690,187**

Primary Examiner — Darcey E Gottschalk

(22) Filed: **May 6, 2019**

(74) *Attorney, Agent, or Firm* — Matthew G. McKinney, Esq.; Allen Dyer et al.

(51) **LOC (13) Cl.** **13-03**

(57) **CLAIM**

(52) **U.S. Cl.**

The ornamental design for a cable lace actuator tip, as shown and described.

USPC **D13/154**

(58) **Field of Classification Search**

DESCRIPTION

USPC D13/103, 107, 108, 110, 112, 118, 120,
D13/123, 133, 137.1, 145–147, 149–156,
D13/173, 177, 184, 199, 174; D14/240,
D14/242, 432–438, 435.1

CPC B65B 13/22; B65B 13/027; B65B 13/185;
B65B 13/24; B26D 1/065

See application file for complete search history.

FIG. 1 is a front, top perspective view of a cable lace actuator tip showing my new design;
FIG. 2 is a front, bottom perspective view of the actuator tip of FIG. 1;
FIG. 3 is a front side elevational view of the actuator tip of FIG. 1;
FIG. 4 is a rear side elevational view of the actuator tip of FIG. 1;
FIG. 5 is a left side elevational view of the actuator tip of FIG. 1;
FIG. 6 is a right side elevational view of the actuator tip of FIG. 1;
FIG. 7 is a top plan view of the actuator tip of FIG. 1; and,
FIG. 8 is a bottom plan view of the actuator tip of FIG. 1.
The broken lines in FIGS. 2 and 5 depict portions of the cable lace actuator tip that form no part of the claimed design.

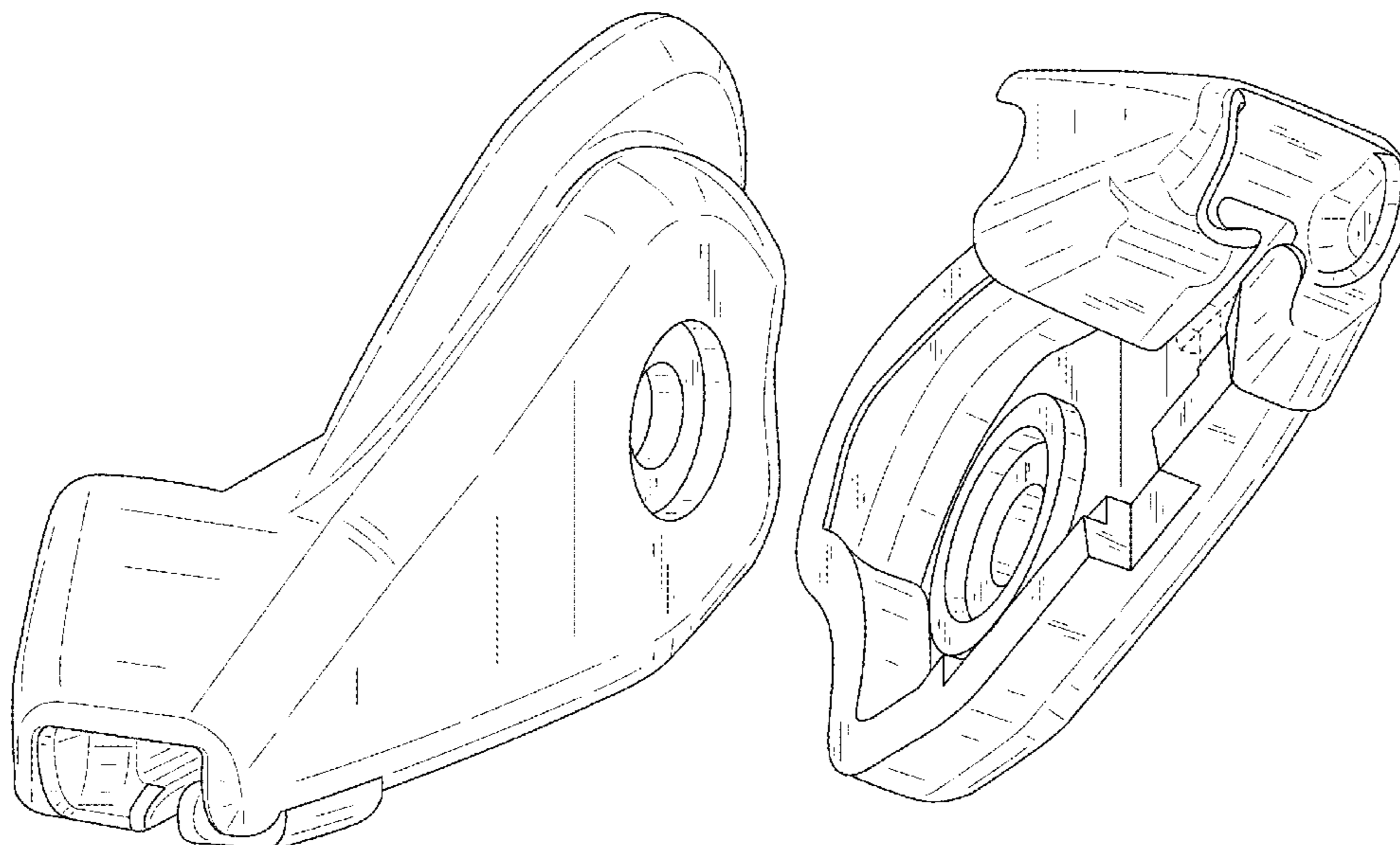
(56) **References Cited**

U.S. PATENT DOCUMENTS

D132,433 S * 5/1942 Pellegrin D8/311
3,735,784 A 5/1973 Obuch et al.
4,064,918 A 12/1977 Pobuta et al.
4,328,742 A 5/1982 Discavage
4,498,506 A 2/1985 Moody et al.
5,205,328 A 4/1993 Johnson
5,595,220 A 1/1997 Leban et al.
D400,777 S * 11/1998 Carsello D8/307
D409,156 S * 5/1999 Taylor D13/174
6,302,157 B1 10/2001 Deschenes et al.

(Continued)

1 Claim, 4 Drawing Sheets



(56)

References Cited

U.S. PATENT DOCUMENTS

D474,161	S *	5/2003	Månsson	D13/199
6,648,378	B1	11/2003	Torres et al.	
7,185,680	B2	3/2007	Magno, Jr.	
7,231,944	B2	6/2007	Magno, Jr.	
D635,104	S *	3/2011	Louise	D13/174
D744,959	S *	12/2015	Farnum	D13/156
D771,568	S *	11/2016	Romandy	D13/133
D777,105	S *	1/2017	Romandy	D13/133
9,682,806	B2	6/2017	Zantout et al.	
9,701,428	B2	7/2017	Weiby et al.	
D824,739	S *	8/2018	Sutter	D8/51
D824,740	S *	8/2018	Sutter	D8/61
10,535,969	B2 *	1/2020	Sutter	H01R 43/042
2005/0115629	A1	6/2005	Bernard	
2005/0178461	A1	8/2005	Magno, Jr. et al.	
2007/0089801	A1	4/2007	Hillegonds et al.	
2009/0242069	A1	10/2009	Segroves	
2013/0077326	A1 *	3/2013	Zantout	F21V 21/088 362/396
2015/0267844	A1	9/2015	Zantout et al.	
2016/0236804	A1	8/2016	Weiby et al.	
2019/0161220	A1 *	5/2019	Fildes	B65B 13/22
2019/0329917	A1 *	10/2019	Fildes	B65B 13/027

OTHER PUBLICATIONS

ISA/US, International Search Report and Written Opinion issued for International Application No. US2016015391, dated Mar. 29, 2016, 9 pages.

ISA/US, International Search Report and Written Opinion issued for International Application No. US2018062640, dated Mar. 27, 2019, 12 pages.

* cited by examiner

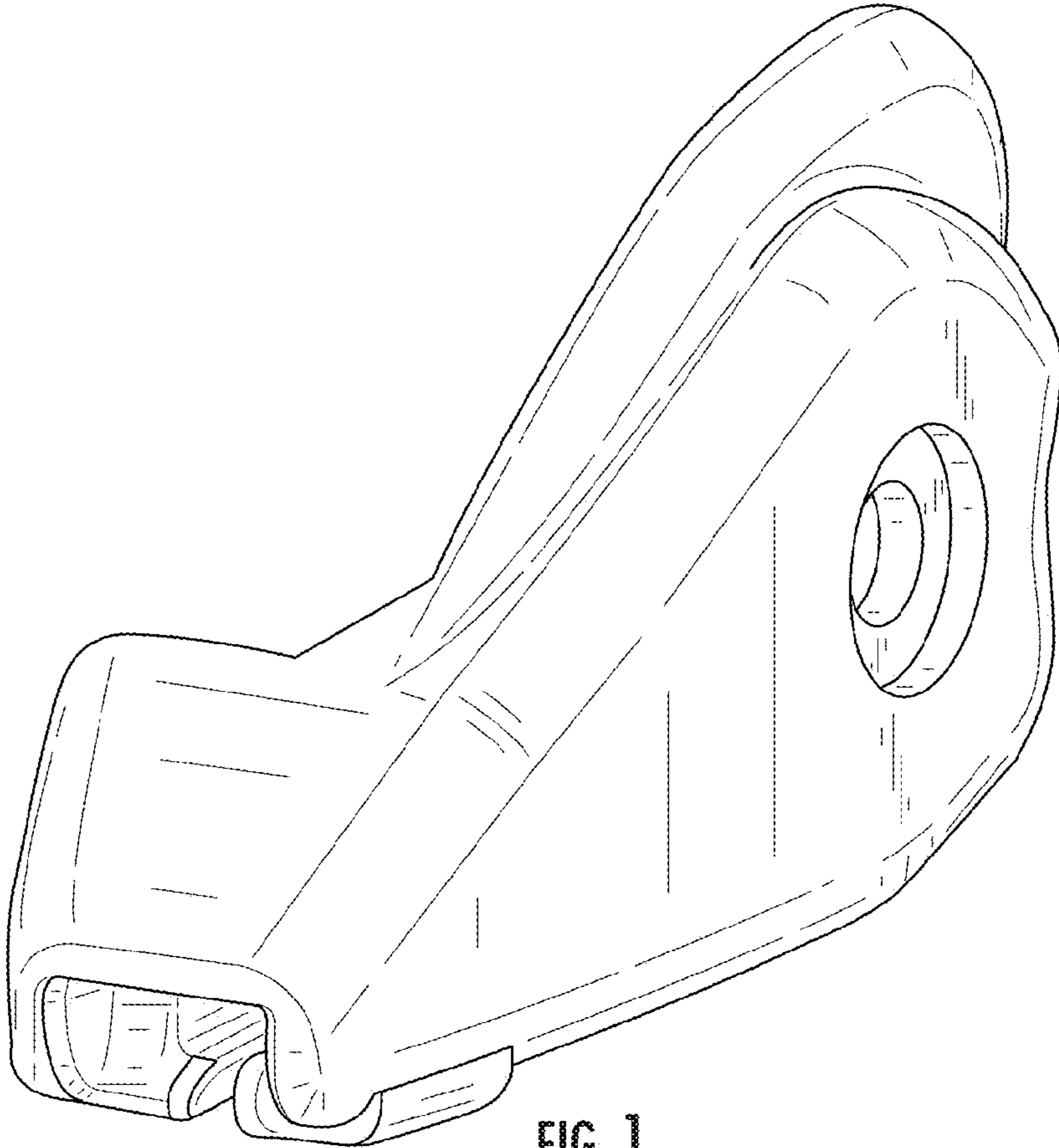


FIG. 1

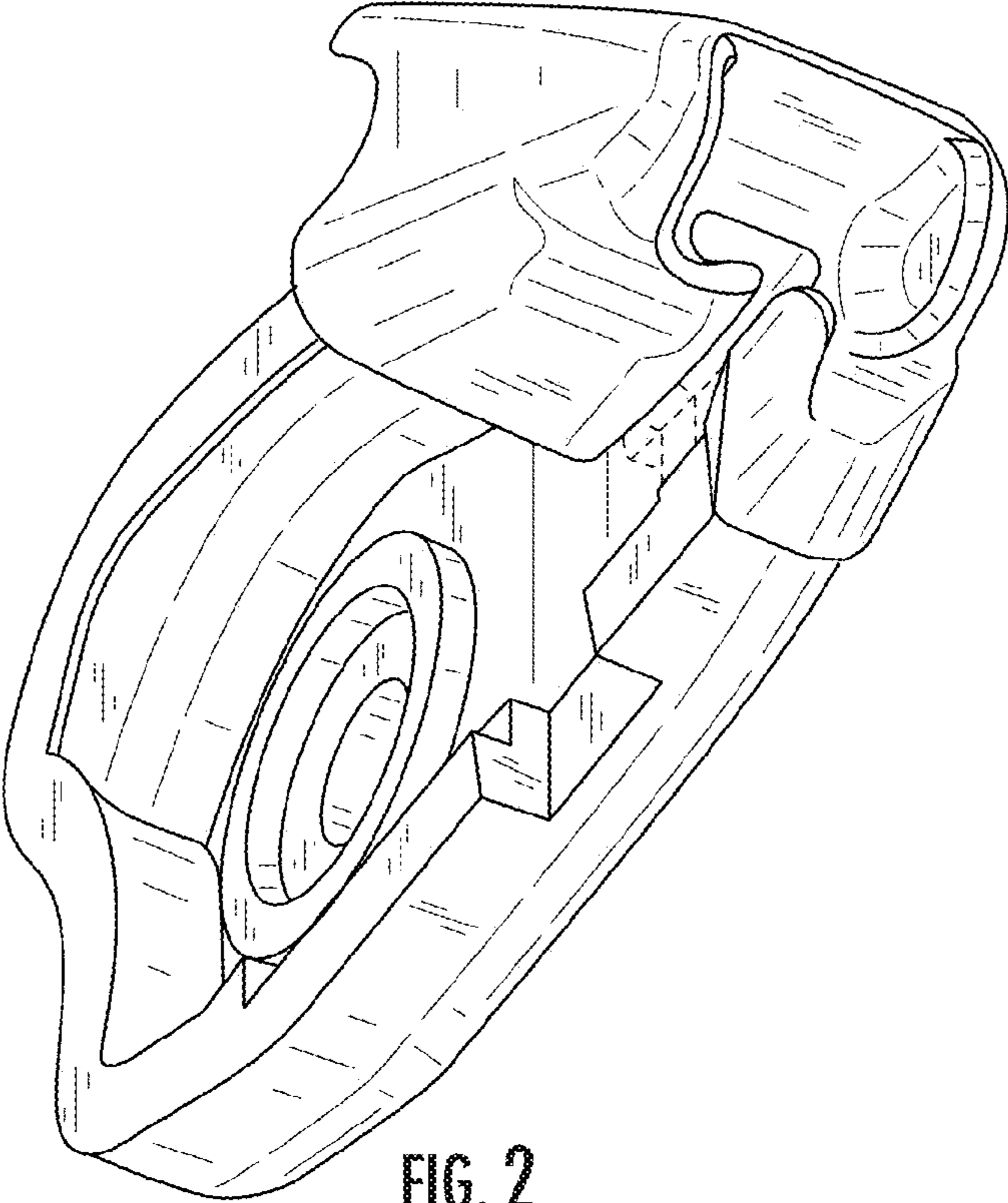


FIG. 2

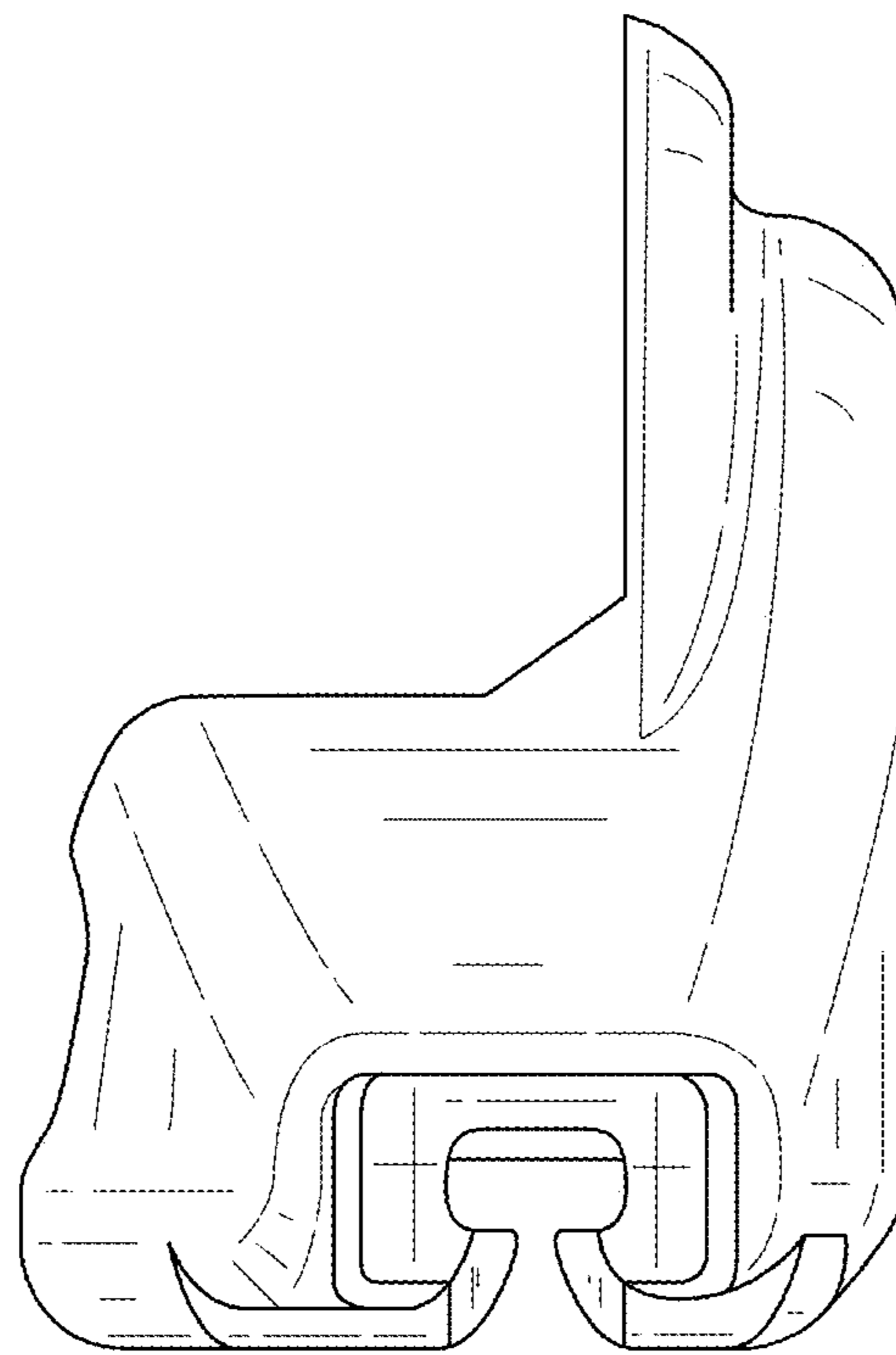


FIG. 3

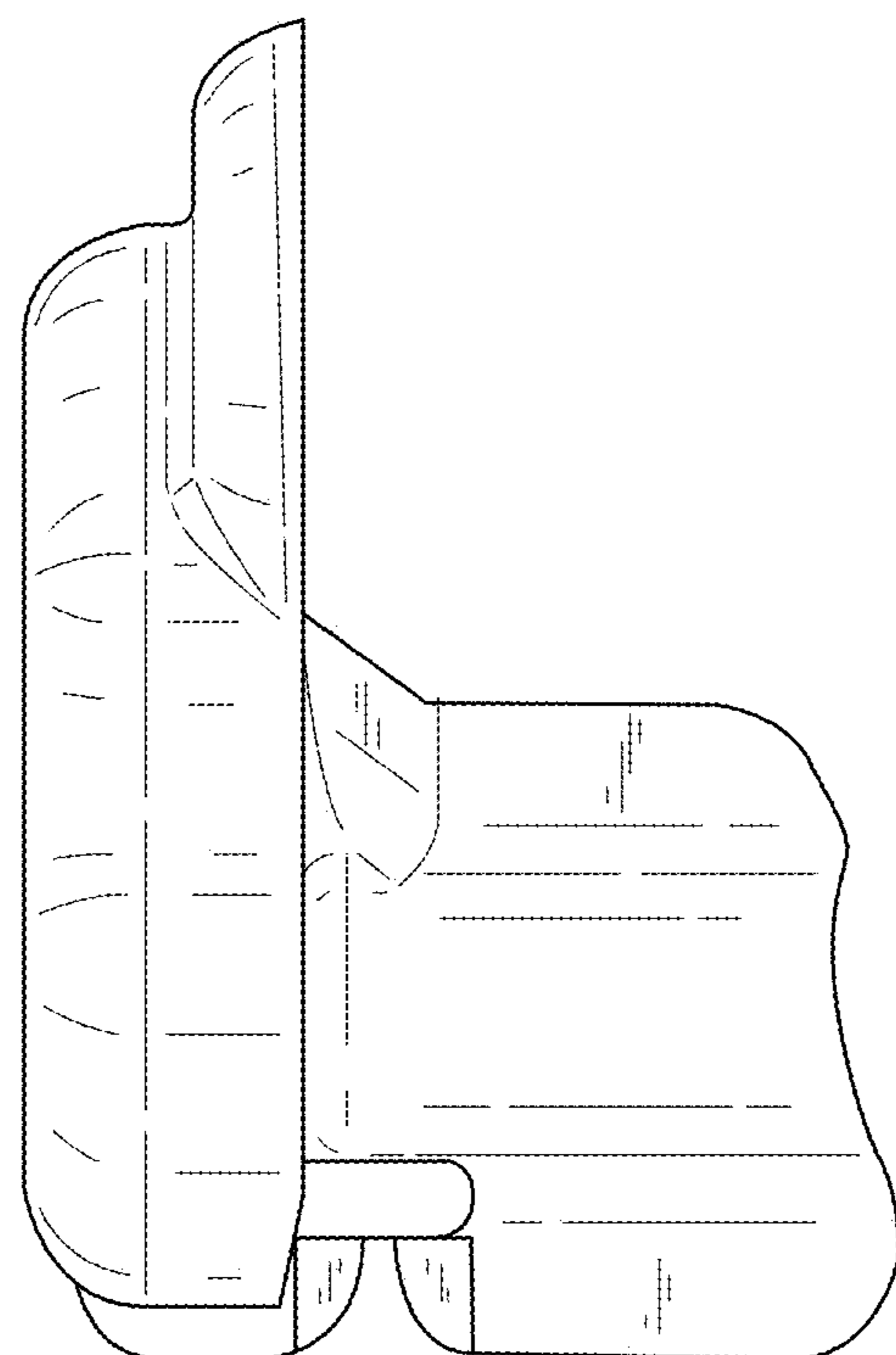


FIG. 4

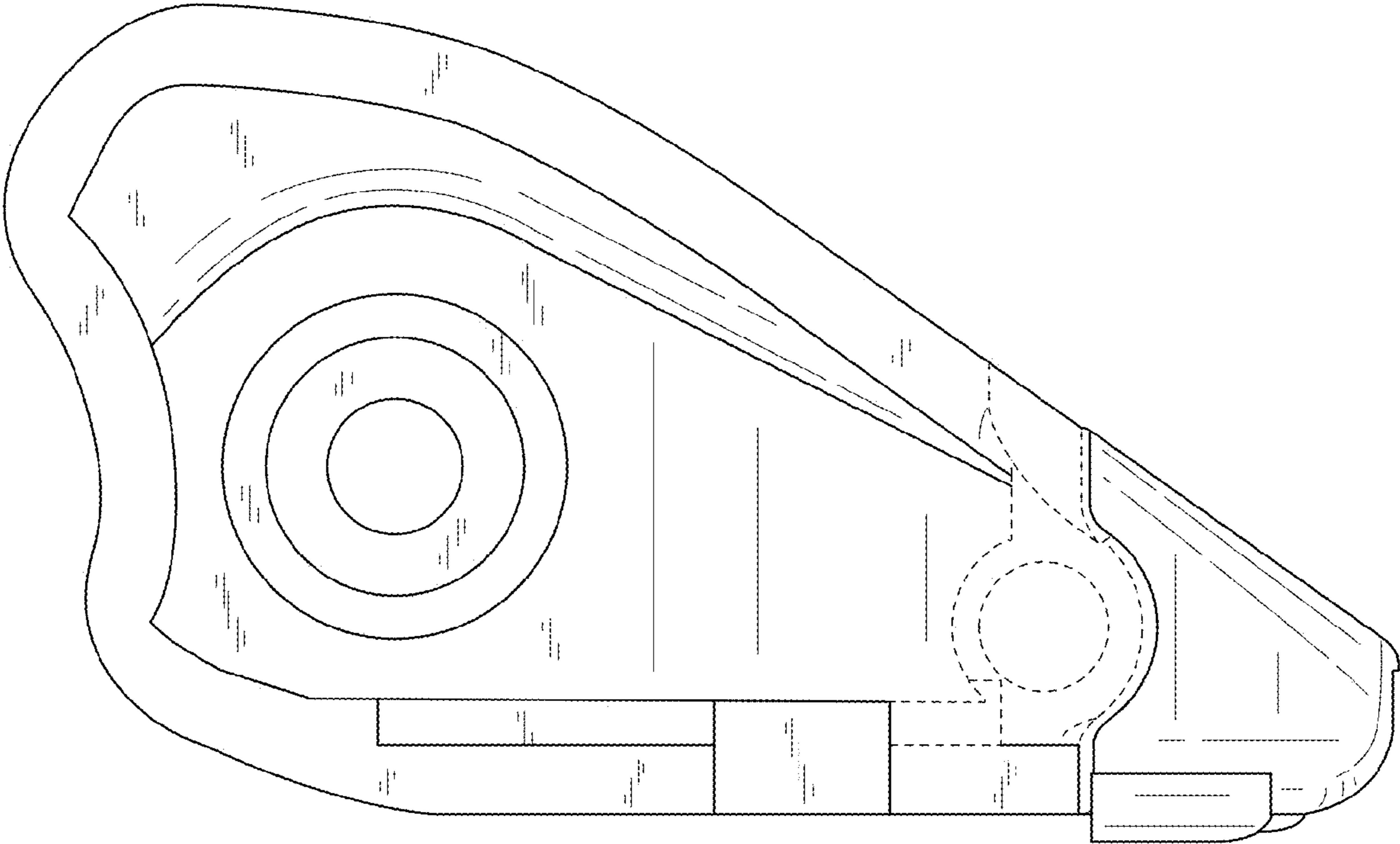


FIG. 5

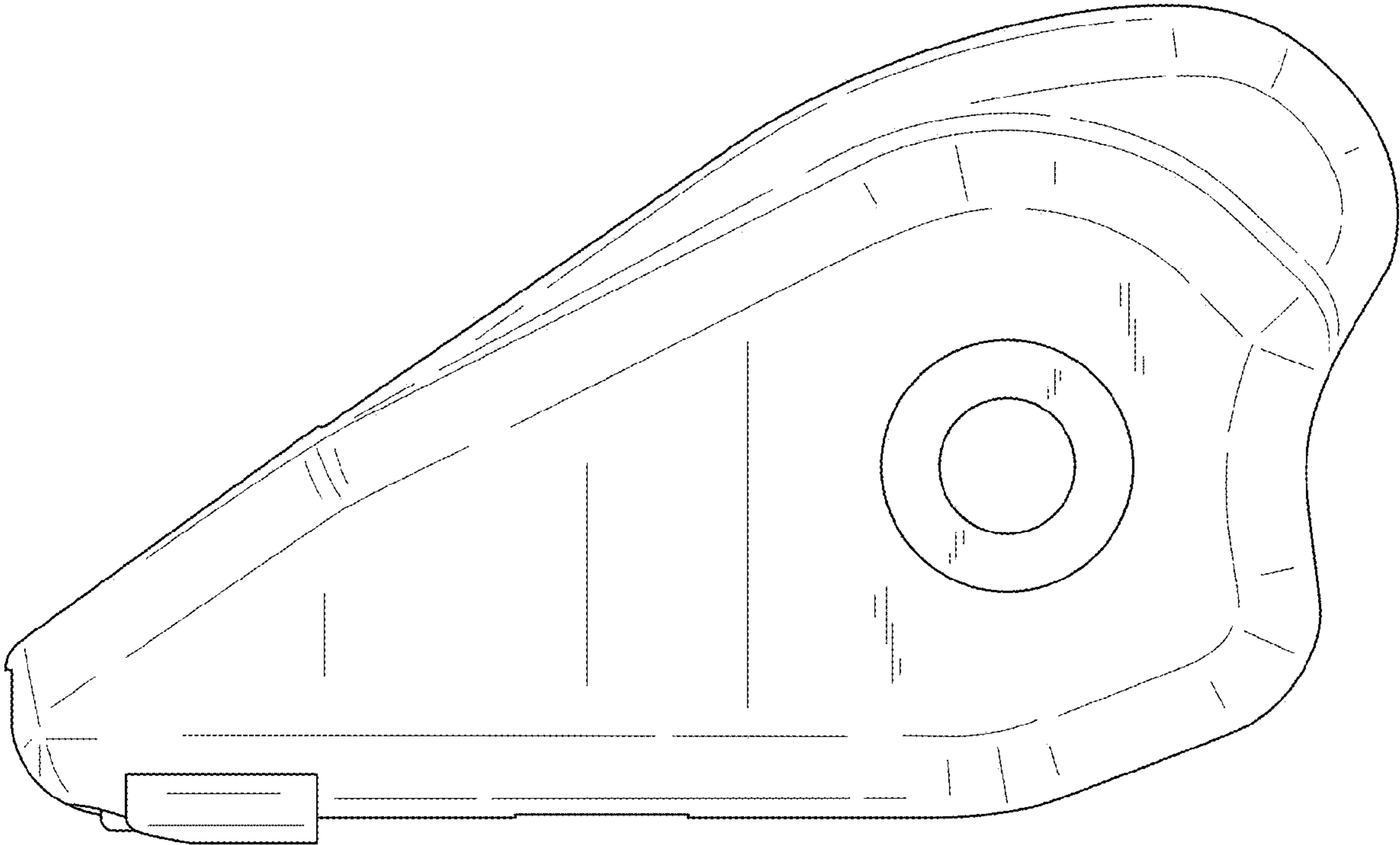


FIG. 6

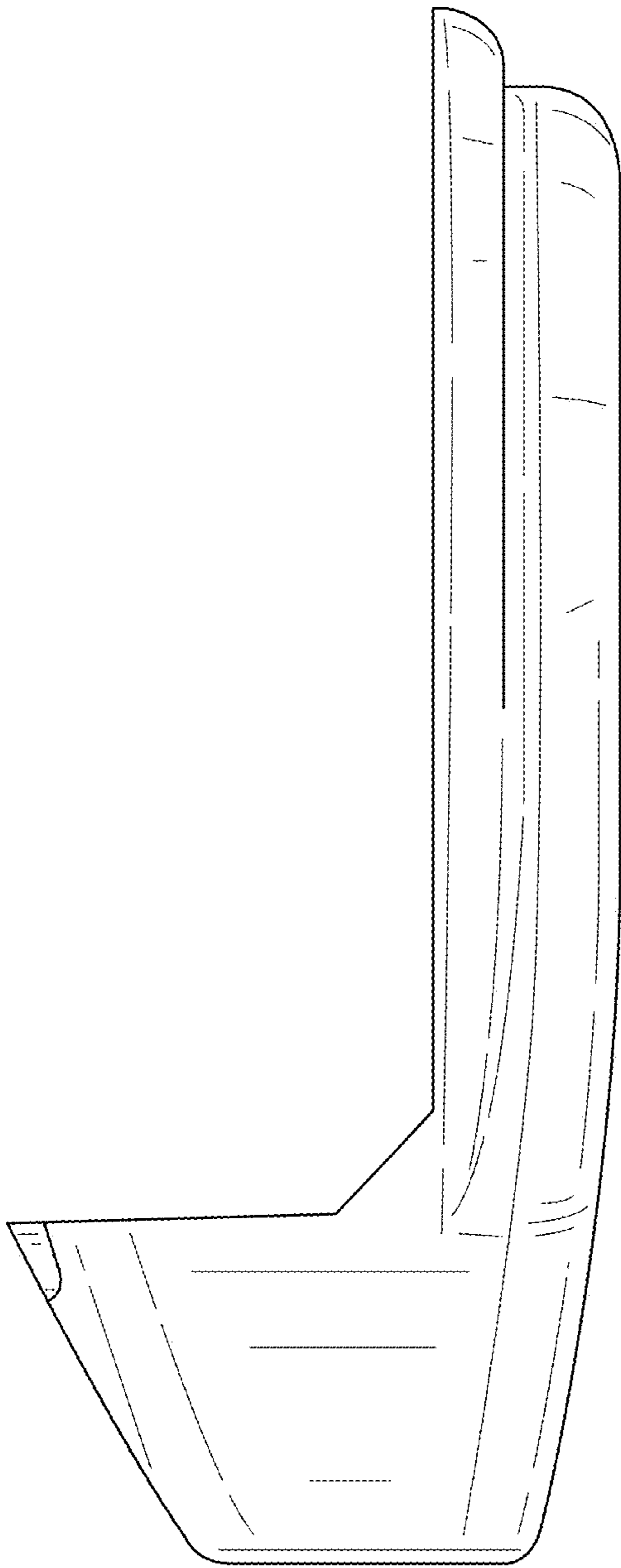


FIG. 7

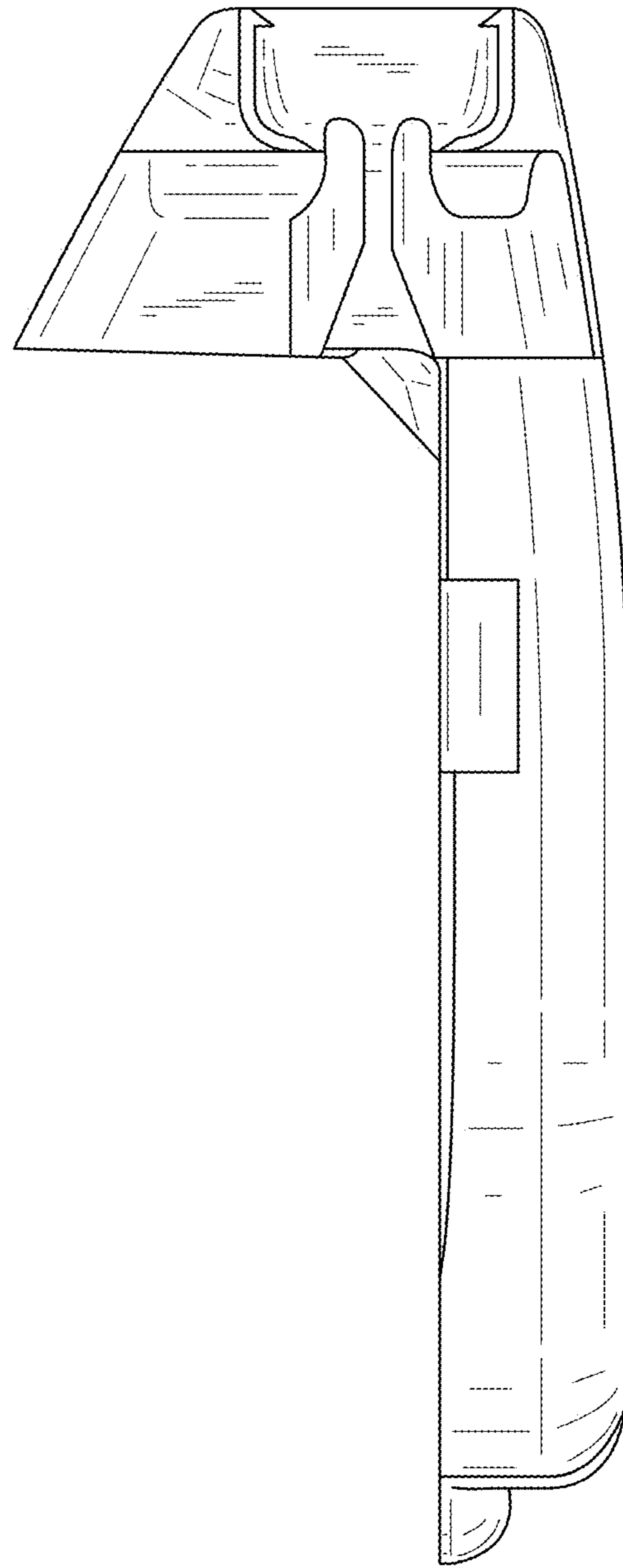


FIG. 8