



US00D924807S

(12) **United States Design Patent** (10) **Patent No.:** **US D924,807 S**
Bao (45) **Date of Patent:** **** Jul. 13, 2021**

(54) **POWER STRIP**

(71) Applicant: **CHIZHOU QINGLIANFENG ELECTRONICS TECHNOLOGY CO., LTD**, Chizhou (CN)

(72) Inventor: **Lamei Bao**, Chizhou (CN)

(73) Assignee: **CHIZHOU QINGLIANFENG ELECTRONICS TECHNOLOGY CO., LTD**, Chizhou (CN)

D576,553 S * 9/2008 Lee D13/139.6
D626,071 S * 10/2010 Su D13/139.8
D682,214 S * 5/2013 Miller D13/139.8
D682,215 S * 5/2013 Miller D13/139.8
D685,736 S 7/2013 Inskeep
D807,828 S * 1/2018 Xu D13/137.2
D814,420 S * 4/2018 Chen D13/137.2
D858,448 S 9/2019 Zhou
D871,344 S 12/2019 Lyu
D894,838 S * 9/2020 Chen D13/139.7
D899,374 S * 10/2020 Amoss D13/138.2

(**) Term: **15 Years**

(21) Appl. No.: **29/757,309**

(22) Filed: **Nov. 5, 2020**

(51) **LOC (13) Cl.** **13-03**

(52) **U.S. Cl.**
USPC **D13/137.2**

(58) **Field of Classification Search**
USPC D13/139.1–139.8, 137.1–137.4,
D13/138.1–138.2, 110
CPC H01R 25/003; H01R 13/641; H01R 13/70;
H01R 13/68; H01R 13/71
See application file for complete search history.

(56) **References Cited**

U.S. PATENT DOCUMENTS

4,463,998 A * 8/1984 Reavis H01R 12/77
439/137
5,243,129 A * 9/1993 Bates H02G 3/185
174/484
5,383,799 A * 1/1995 Fladung H01R 25/006
439/108
D370,459 S * 6/1996 Boesel D13/137.2
D401,221 S * 11/1998 Dwight D13/139.6
D442,916 S * 5/2001 Tong D13/137.2
D458,225 S * 6/2002 Stekelenburg D13/139.8
D486,126 S * 2/2004 Aromin D13/137.2
D517,484 S * 3/2006 Wakefield D13/139.8
7,193,830 B2 * 3/2007 Fournier H01R 25/003
361/111

OTHER PUBLICATIONS

“CyberPower CSP . . . ” reference dated May 22, 2021—found by RMS on the internet at: https://www.newegg.com/cyberpower-csp600wsurc2-6-outlets-nema-5-15r/p/17B-001M-000A9?item=17B-001M-000A9&source=region&nm_mc=knc-googleadwords-pc&cm_mmc=knc-googleadwords-pc-_-pla-_-surge+protectors-_-17B-001M-000A9&gclid=EAIaIQobChMlmef8IYje8AIVo45bCh05Kwt-EAQYAyABEGiVIPD_BwE&gclsrc=aw.ds.*

(Continued)

Primary Examiner — Rhea Shields

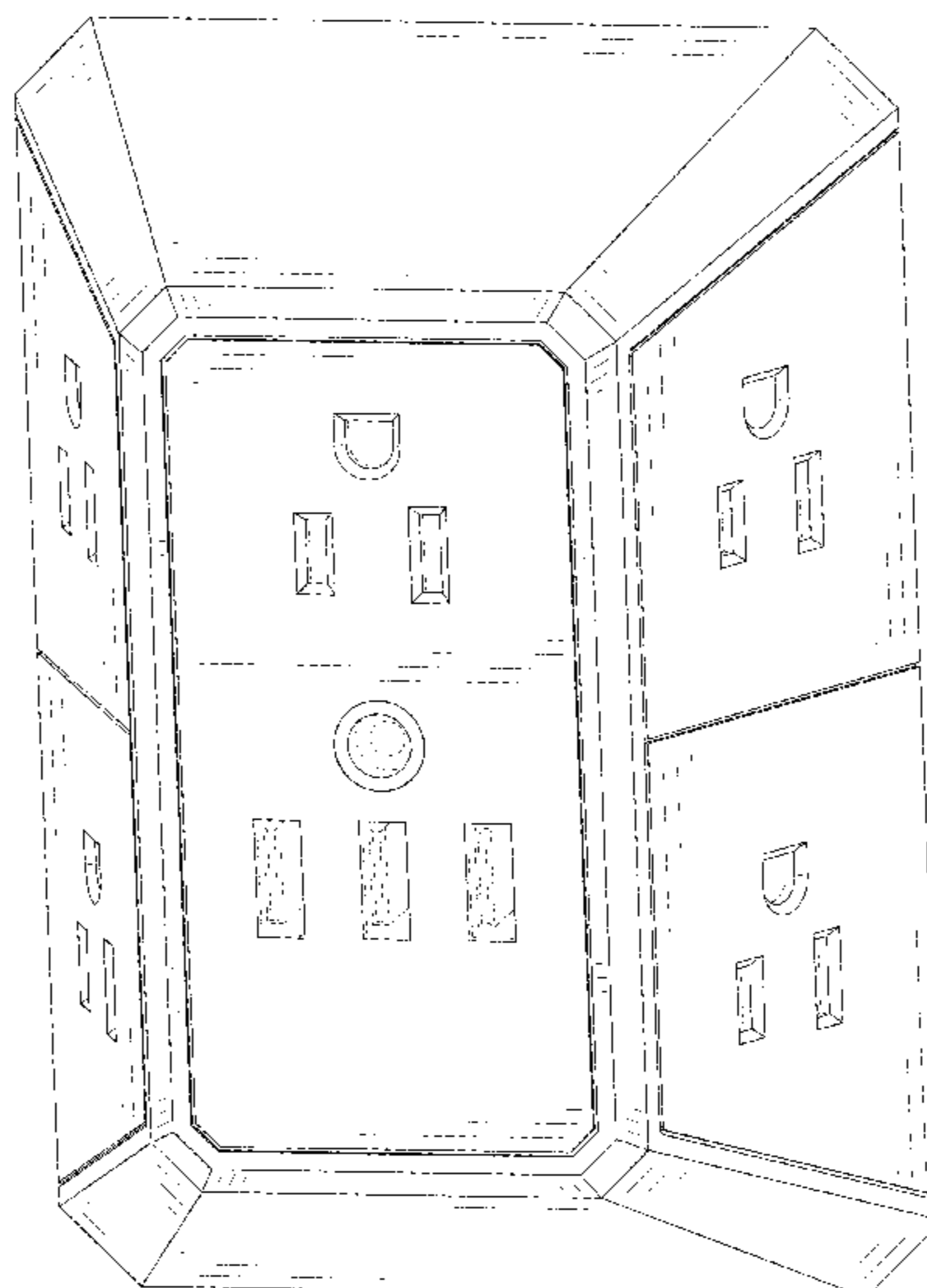
(57) **CLAIM**

The ornamental design for a power strip, as shown and described.

DESCRIPTION

FIG. 1 is a perspective view of a power strip showing my new design;
FIG. 2 is another perspective view thereof;
FIG. 3 is a front elevational view thereof;
FIG. 4 is a rear elevational view thereof;
FIG. 5 is a left side elevational view thereof;
FIG. 6 is a right side elevational view thereof;
FIG. 7 is a top plan view thereof; and,
FIG. 8 is a bottom plan view thereof.
The broken lines in the drawings depict portions of the power strip that form no part of the claimed design.

1 Claim, 8 Drawing Sheets



(56)

References Cited

OTHER PUBLICATIONS

6 Outlet Four USB . . . : reference dated May 22, 2021—found by RMS on the internet at: https://www.maxximastyle.com/electrical/6-outlet-four-usb-grounded-adapter-plug-dusk-to-dawn-sensor-night-light-1080-joules-surge-protection-mew-64usb?gclid=EAIaIQobChMlq_-h_Yfe8AIVscmUCR0Y_Q9DEAQYASABEgLKm_D_BwE.*

“Wall Outlet . . . ” reference dated May 22, 2021—found by RMS on the internet at: <https://www.ebay.com/itm/Wall-Outlet-Adjustable-Angle-6-Grounded-Outlets-with-Dual-USB-Charging-Ports-/154064668753>.*

“GE 2 Pack . . . ” reference dated May 22, 2021—found on the internet by RMS at: <https://www.amazon.com/GE-Theater-Kitchen-Bathroom-40222/dp/B073WLJR79>.*

“White 110 volt . . . ” reference dated May 22, 2021—found on the internet by RMS at: <https://www.istockphoto.com/photo/white-110-volt-6-input-wall-plug-facing-right-side-gm471111606-62794822>.*

* cited by examiner

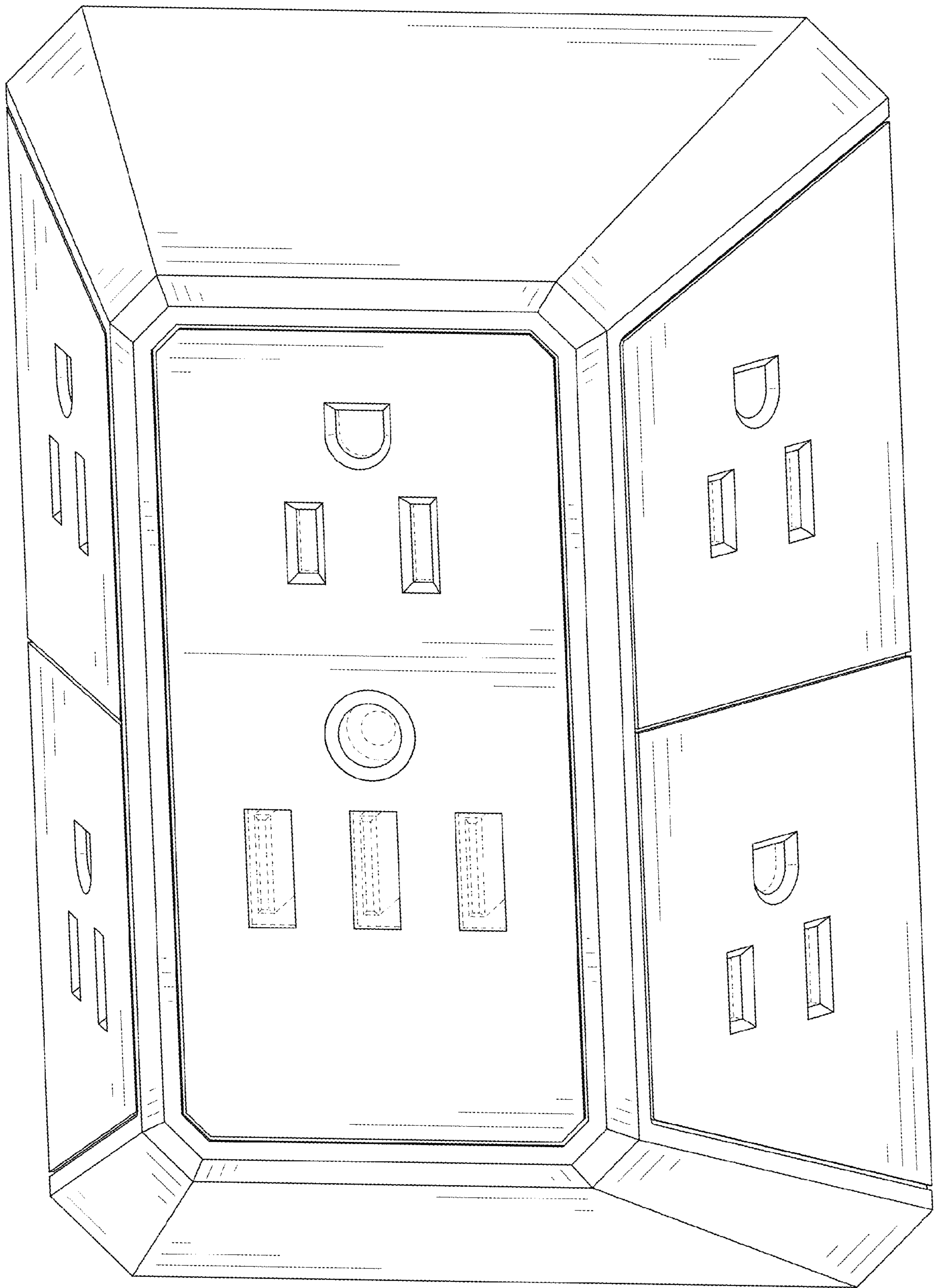


FIG. 1

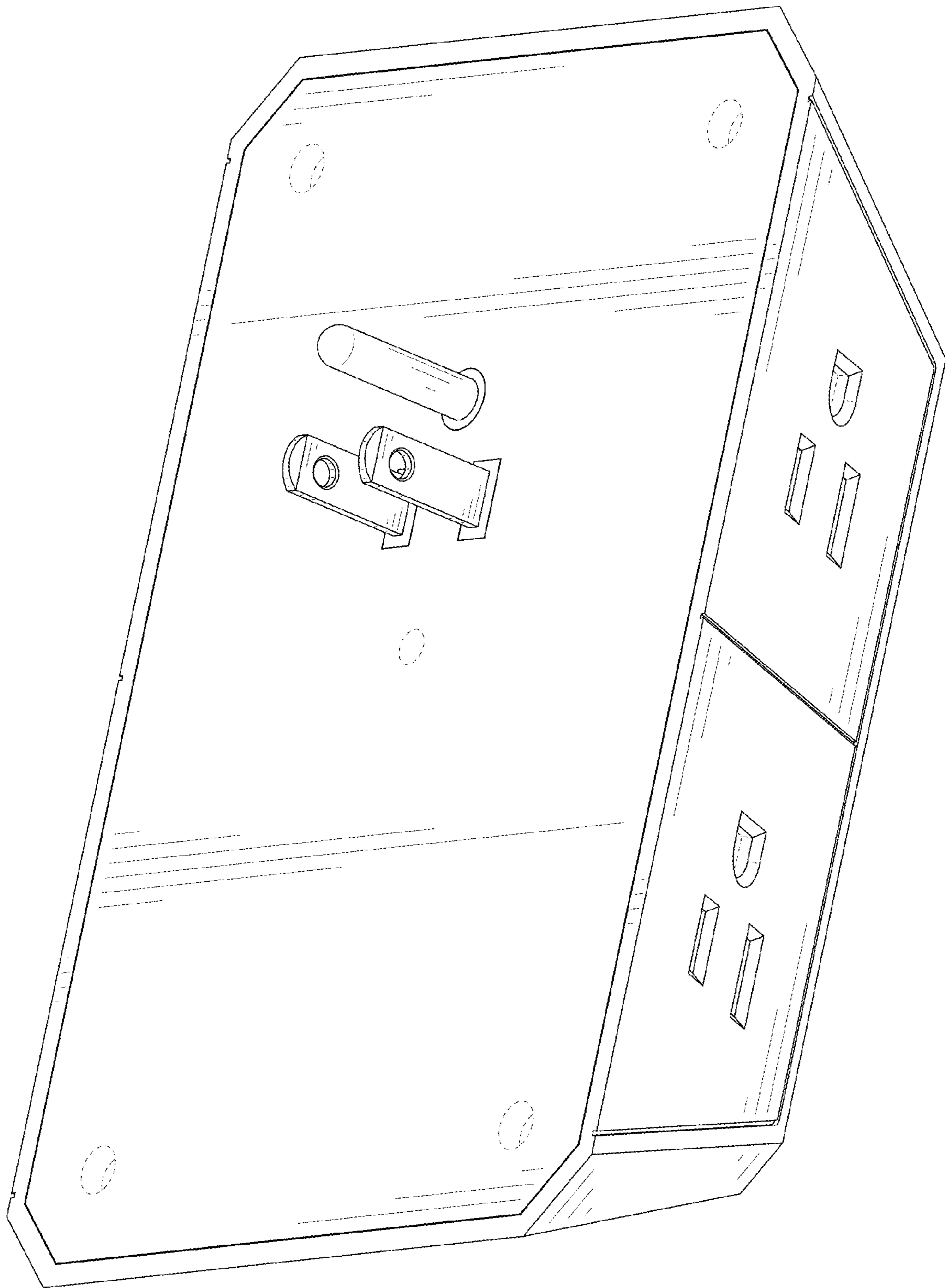


FIG. 2

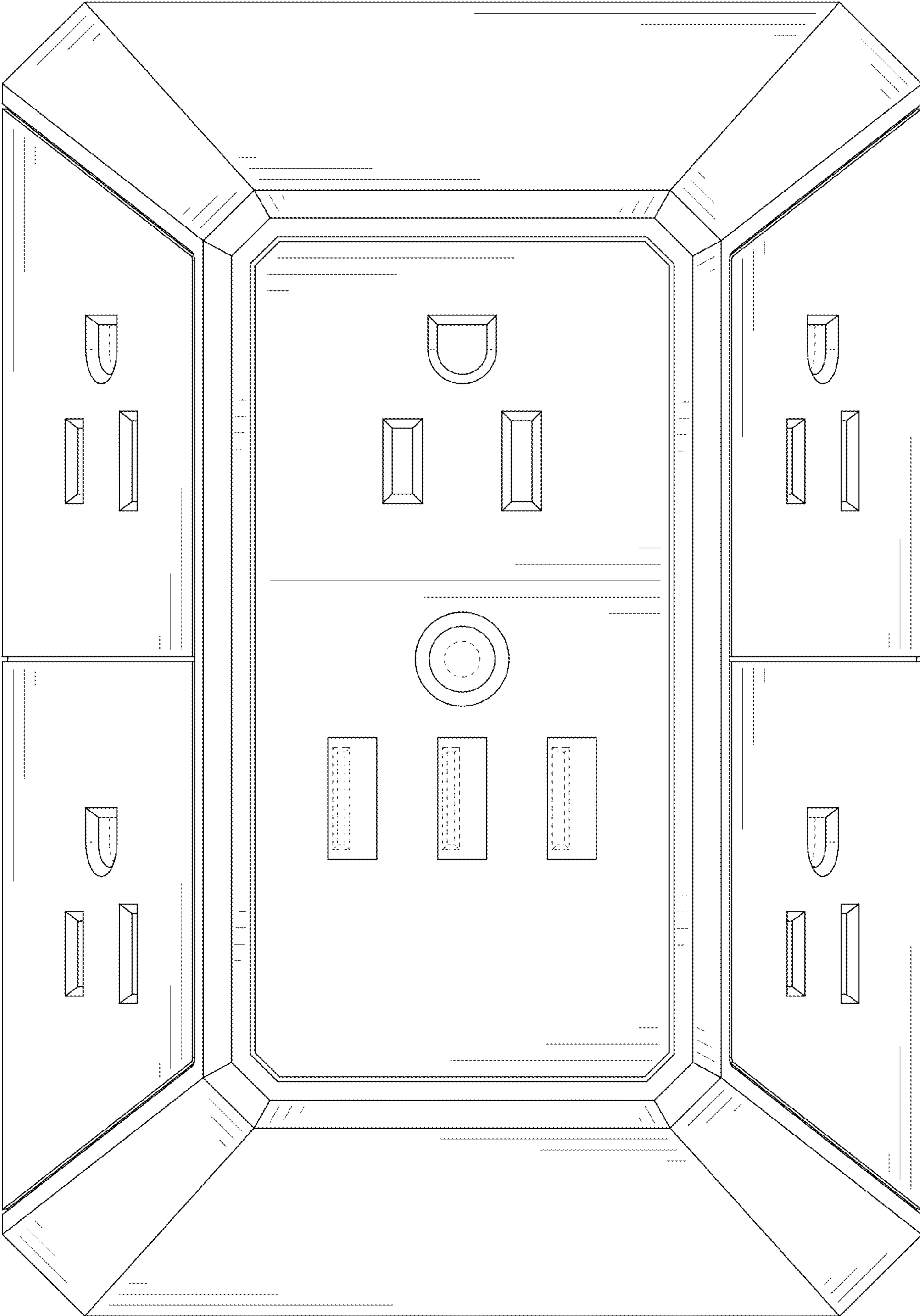


FIG. 3

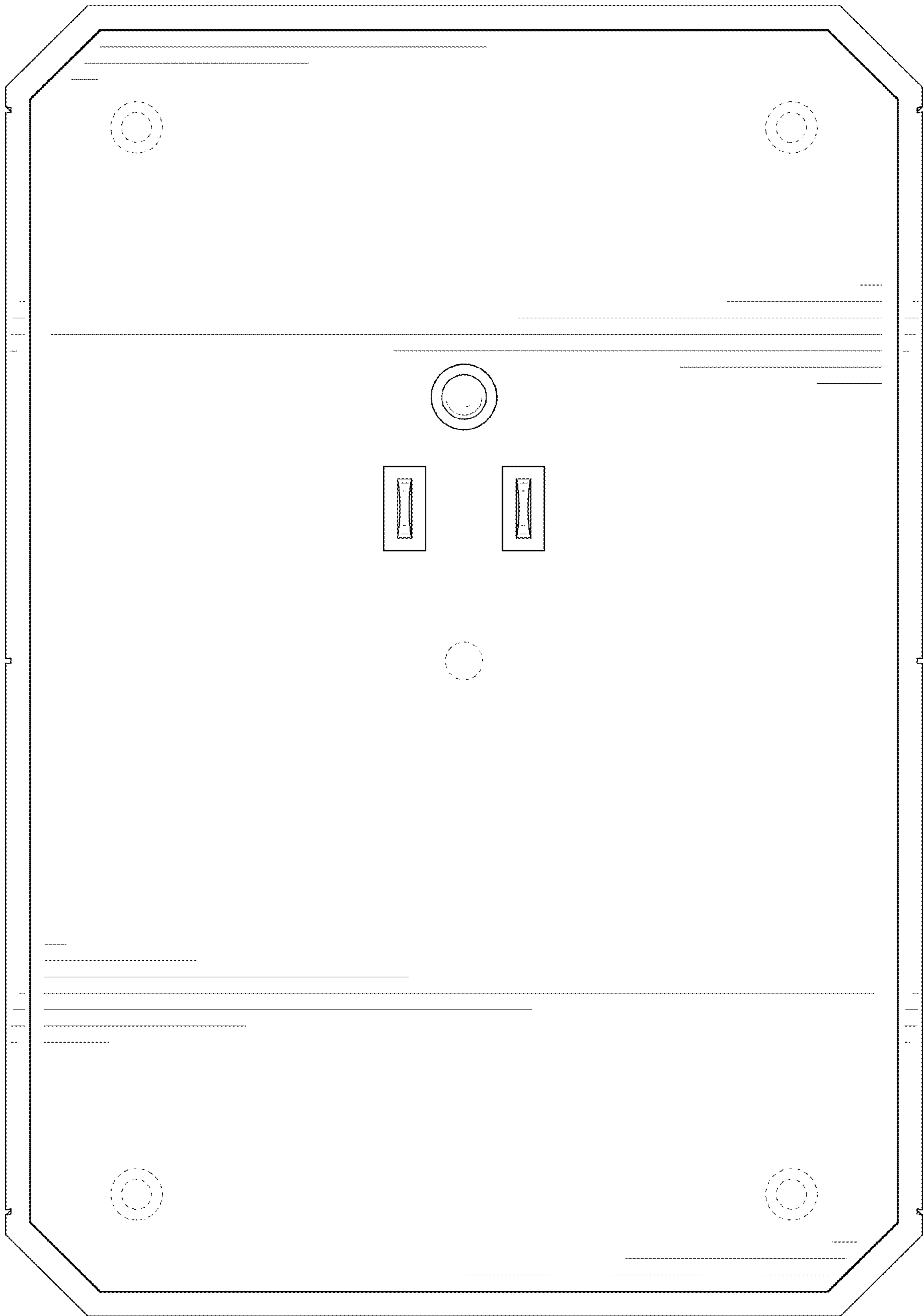


FIG. 4

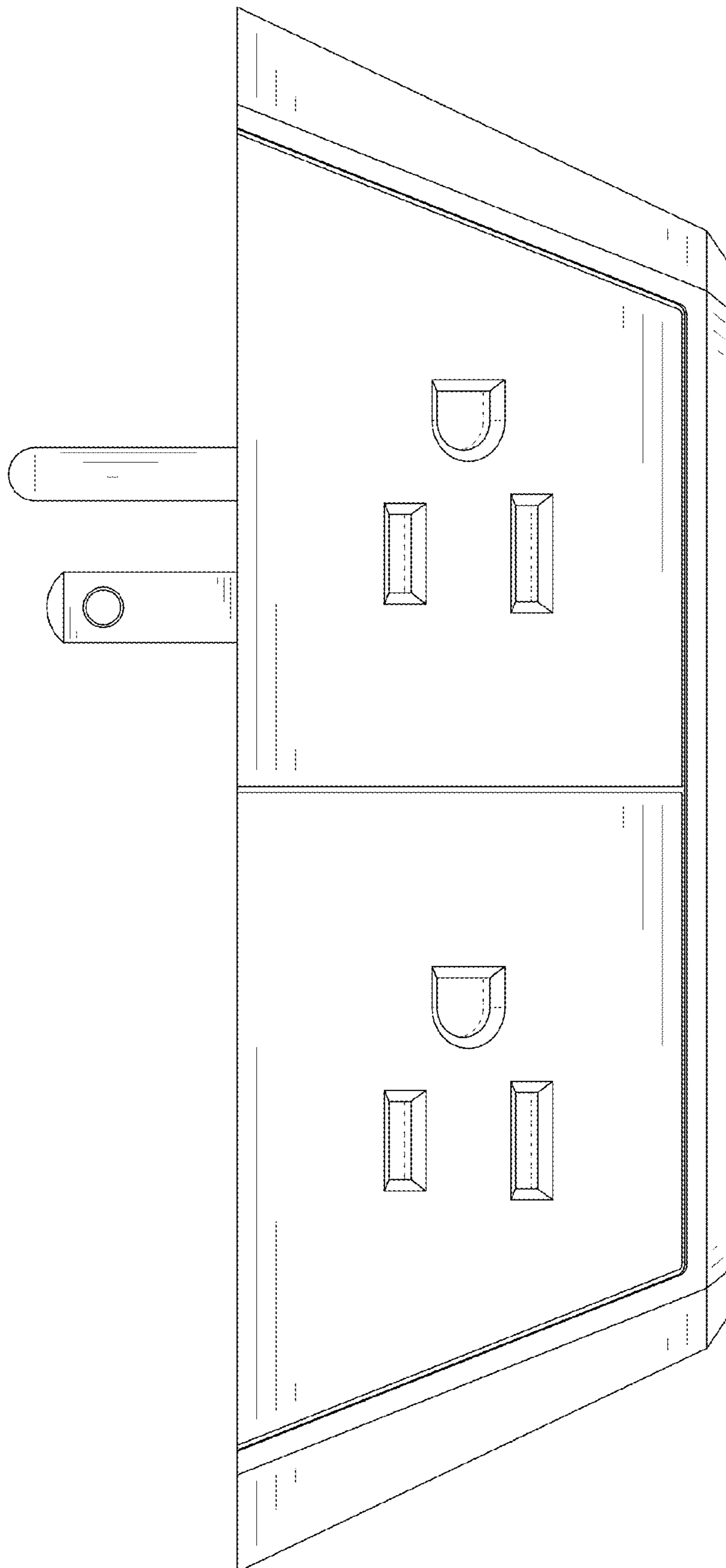


FIG. 5

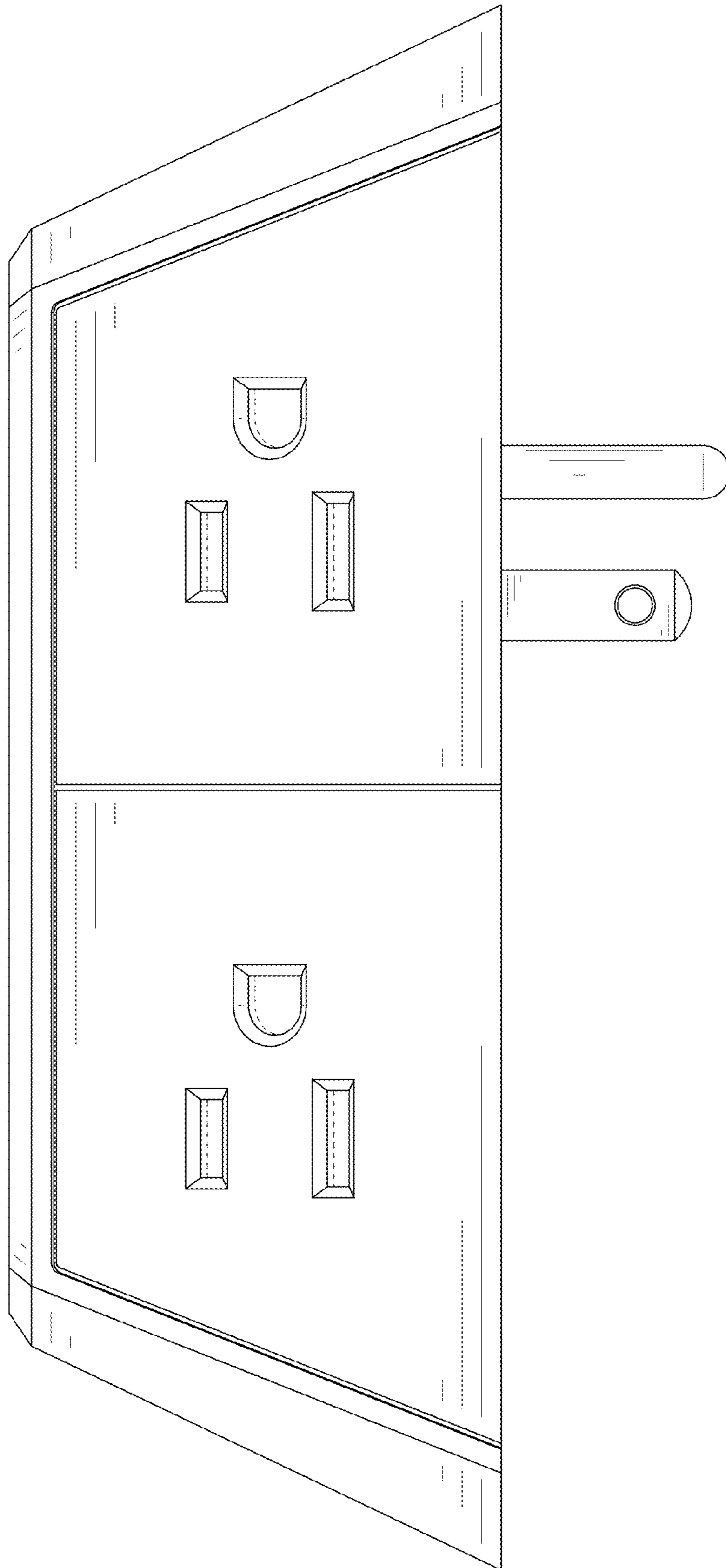


FIG. 6

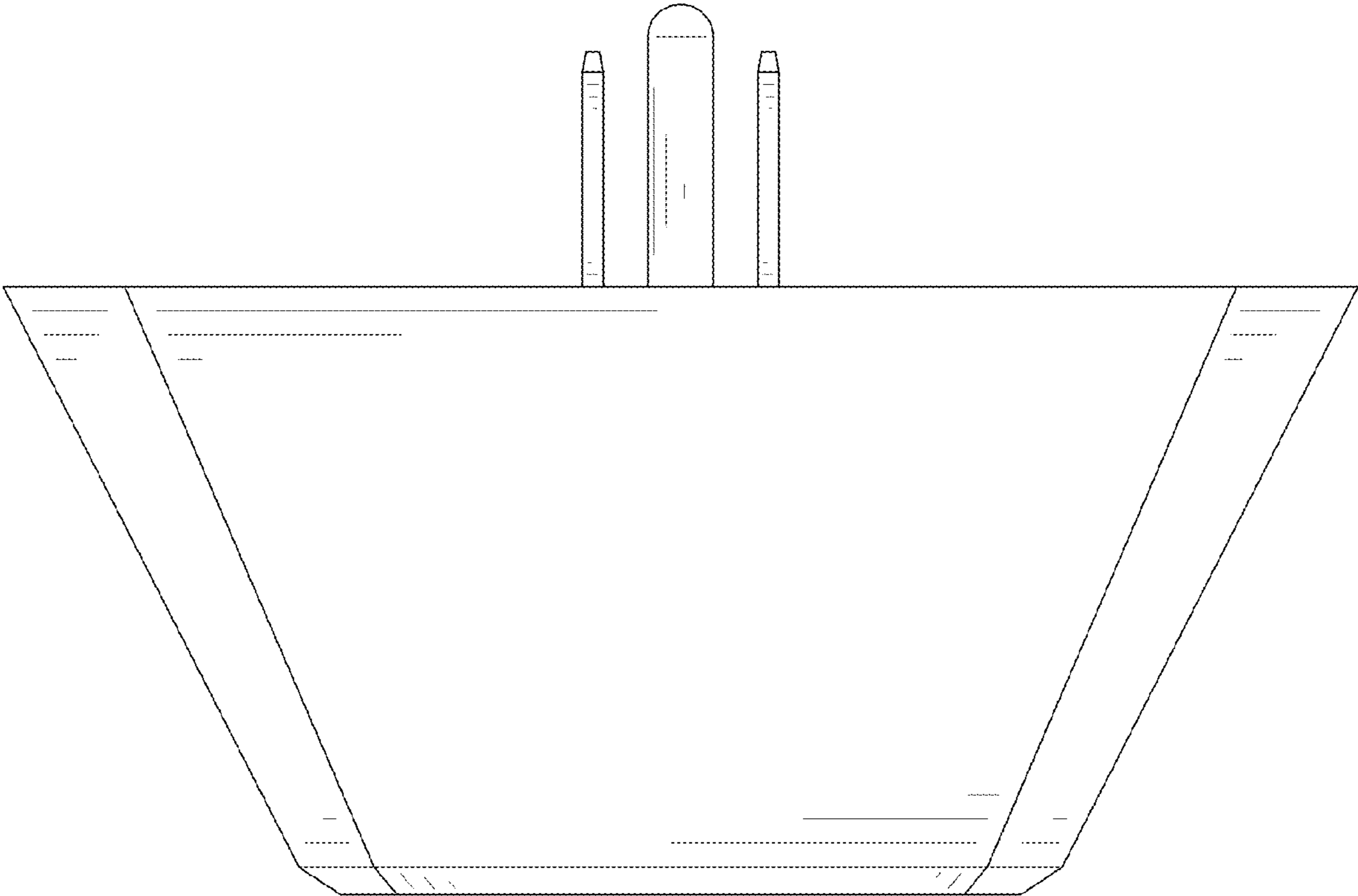


FIG. 7

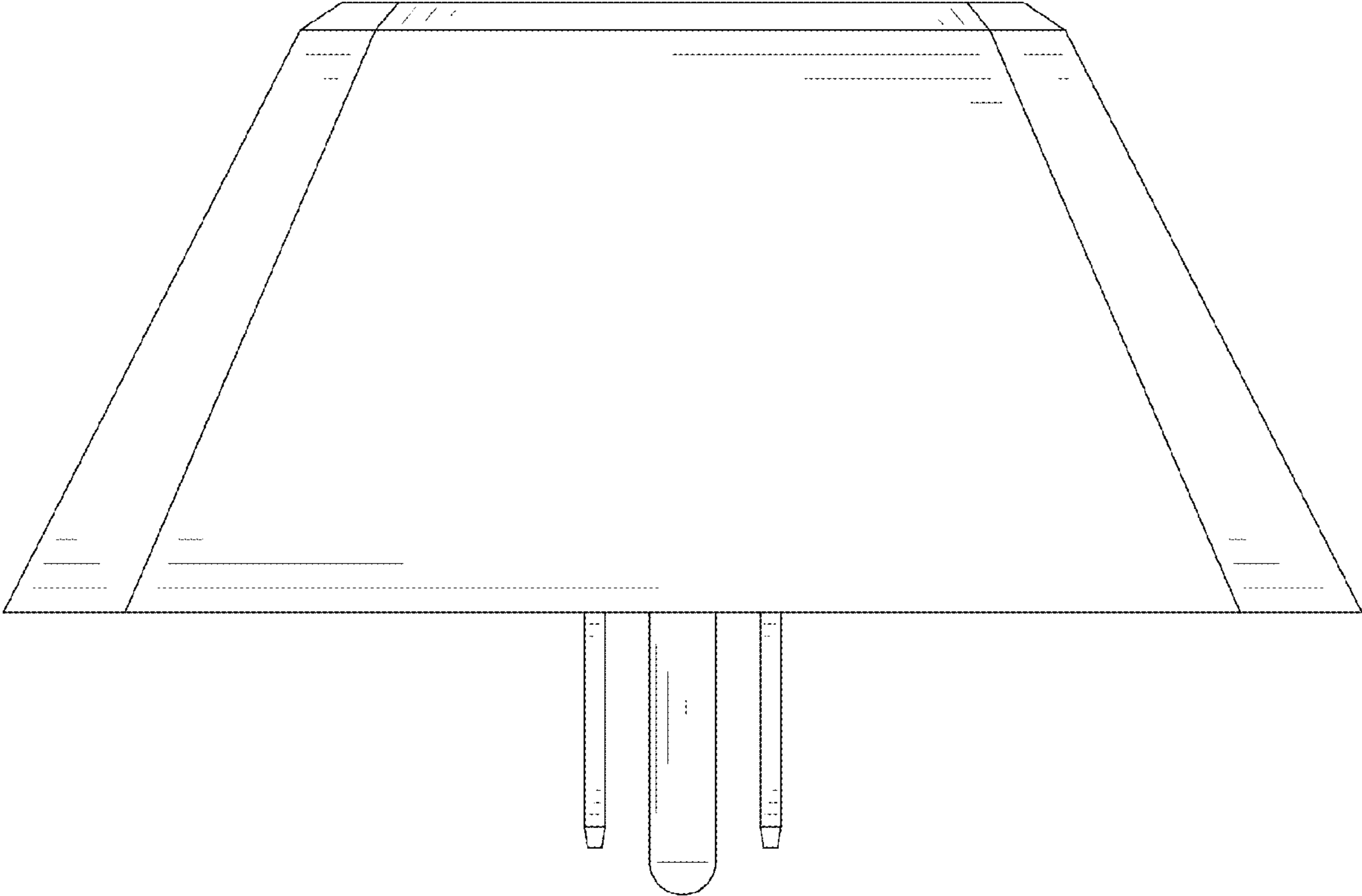


FIG. 8