



US00D924806S

(12) **United States Design Patent**  
**Li**

(10) **Patent No.:** **US D924,806 S**  
(45) **Date of Patent:** **\*\* Jul. 13, 2021**

(54) **MULTIFUNCTIONAL SOCKET**  
(71) Applicant: **Dongguan Tonghua Intelligent Technology Co., Ltd, Dongguan (CN)**  
(72) Inventor: **Zhijin Li, Dongguan (CN)**  
(73) Assignee: **DONGGUAN TONGHUA INTELLIGENT TECHNOLOGY CO., LTD, Dongguan (CN)**

D807,827 S \* 1/2018 Lu ..... D13/137.2  
D807,828 S \* 1/2018 Xu ..... D13/137.2  
D808,046 S \* 1/2018 Jianting ..... D26/26  
D826,159 S \* 8/2018 Tao ..... D13/137.2  
10,211,583 B2 2/2019 Liao  
D844,565 S 4/2019 Yu  
D845,245 S 4/2019 Tao  
D871,344 S \* 12/2019 Lyu ..... D13/139.8  
D895,554 S \* 9/2020 Jianting ..... D13/137.2

(\*\*) Term: **15 Years**  
(21) Appl. No.: **29/692,139**  
(22) Filed: **May 22, 2019**  
(51) **LOC (13) Cl.** ..... **13-03**  
(52) **U.S. Cl.**  
USPC ..... **D13/137.2; D13/139.1**  
(58) **Field of Classification Search**  
USPC ..... D13/103, 107, 108, 113, 118, 123, 133,  
D13/137.1-137.4, 138.1, 138.2,  
D13/139.1-139.7, 153, 154, 155;  
D14/433, 434  
CPC ..... H01R 25/006; H01R 25/165; H01R 9/00;  
H01R 9/22; H01R 9/226; H01R 13/00;  
H01R 13/03; H01R 13/04; H01R 13/10;  
H01R 13/35; H01R 13/502; H01R  
13/631; H01R 13/6666; H01R 13/6675;  
H05K 5/00; H05K 5/03  
See application file for complete search history.

(56) **References Cited**  
**U.S. PATENT DOCUMENTS**  
D443,589 S \* 6/2001 Tong ..... D13/137.2  
D547,272 S \* 7/2007 Ng ..... D13/137.2  
D619,535 S \* 7/2010 Shi ..... D13/137.2  
D680,953 S \* 4/2013 Kuo ..... D13/137.2  
D734,253 S \* 7/2015 Tinaphong ..... H01R 13/70  
D13/108  
9,831,622 B1 11/2017 Lin

**OTHER PUBLICATIONS**

Wall Surge Protector, Aug. 18, 2019, [online], [site visited Sep. 16, 2020], Available from Internet URL: <https://www.amazon.com/Outlet-Protector-Extender-Adapter-Holder/dp/B07WR4PXLC>.  
Wall Outlet Adapter, Aug. 11, 2020, [online], [site visited Sep. 16, 2020], Available from Internet URL: <https://www.amazon.com/Protector-Protection-Compatible-Rechargeable-Electronics/dp/B086MBJ67V>.

\* cited by examiner

*Primary Examiner* — Derrick E Holland  
(74) *Attorney, Agent, or Firm* — Loza & Loza, LLP;  
Michael F. Fedrick

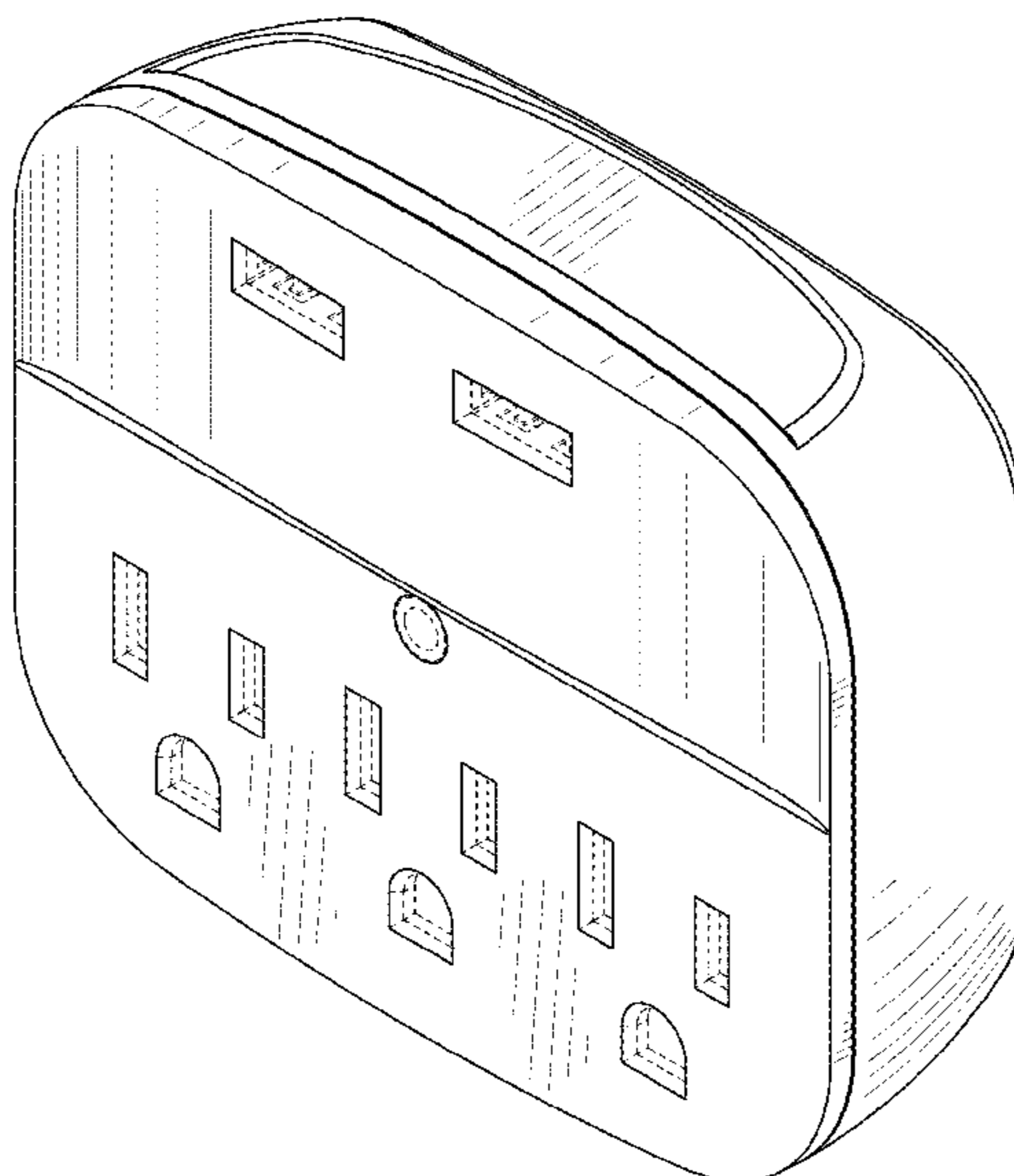
(57) **CLAIM**

The ornamental design for a multifunctional socket, as shown and described.

**DESCRIPTION**

FIG. 1 is a perspective view of a multifunctional socket showing the new design.  
FIG. 2 is a front view thereof;  
FIG. 3 is a rear view thereof.  
FIG. 4 is a bottom view thereof;  
FIG. 5 is a top view thereof;  
FIG. 6 is a right side view thereof; and,  
FIG. 7 is a left side view thereof.  
The broken lines shown represent the portions of the multifunctional socket that form no part of the claimed design.

**1 Claim, 7 Drawing Sheets**



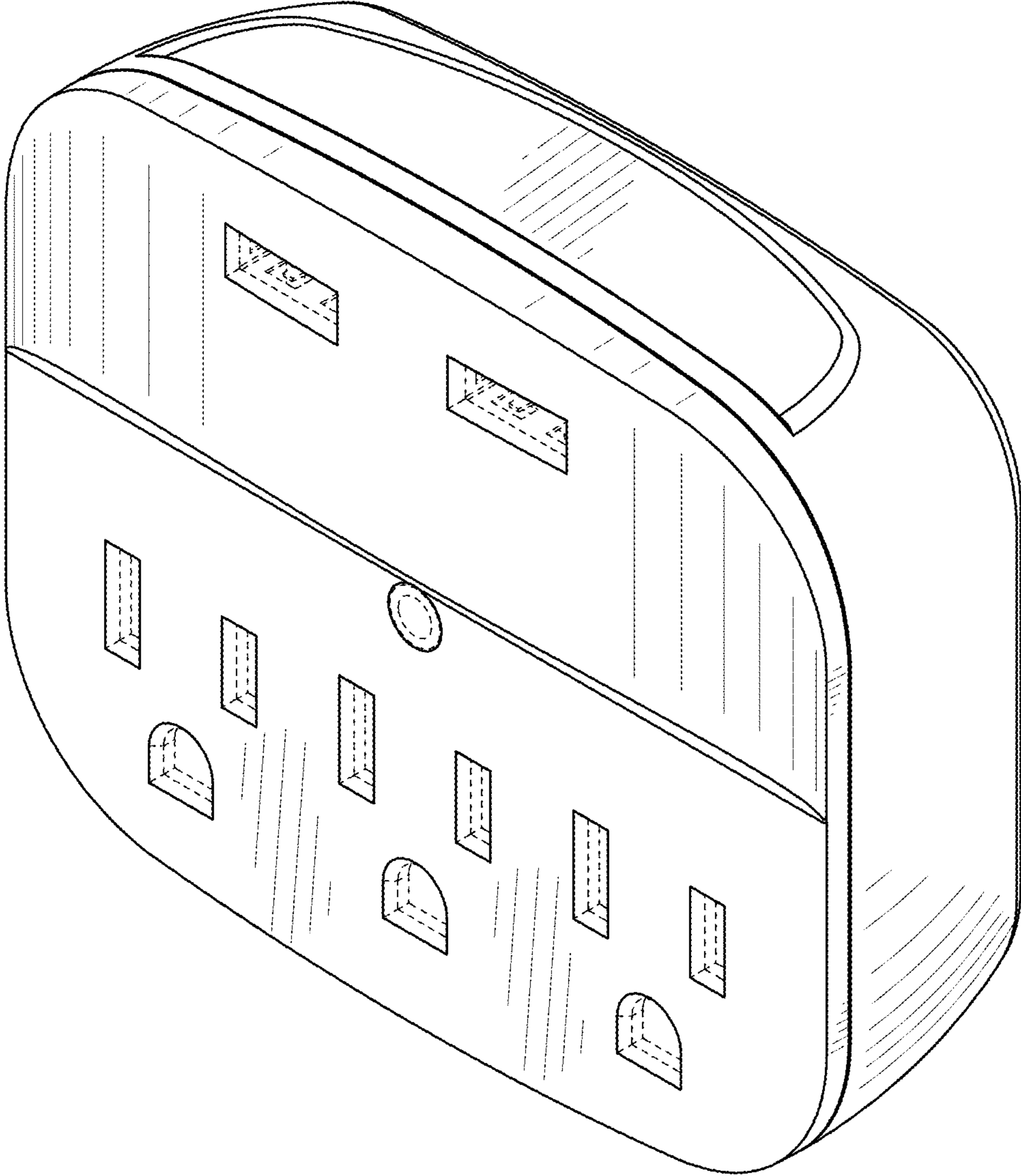


FIG. 1

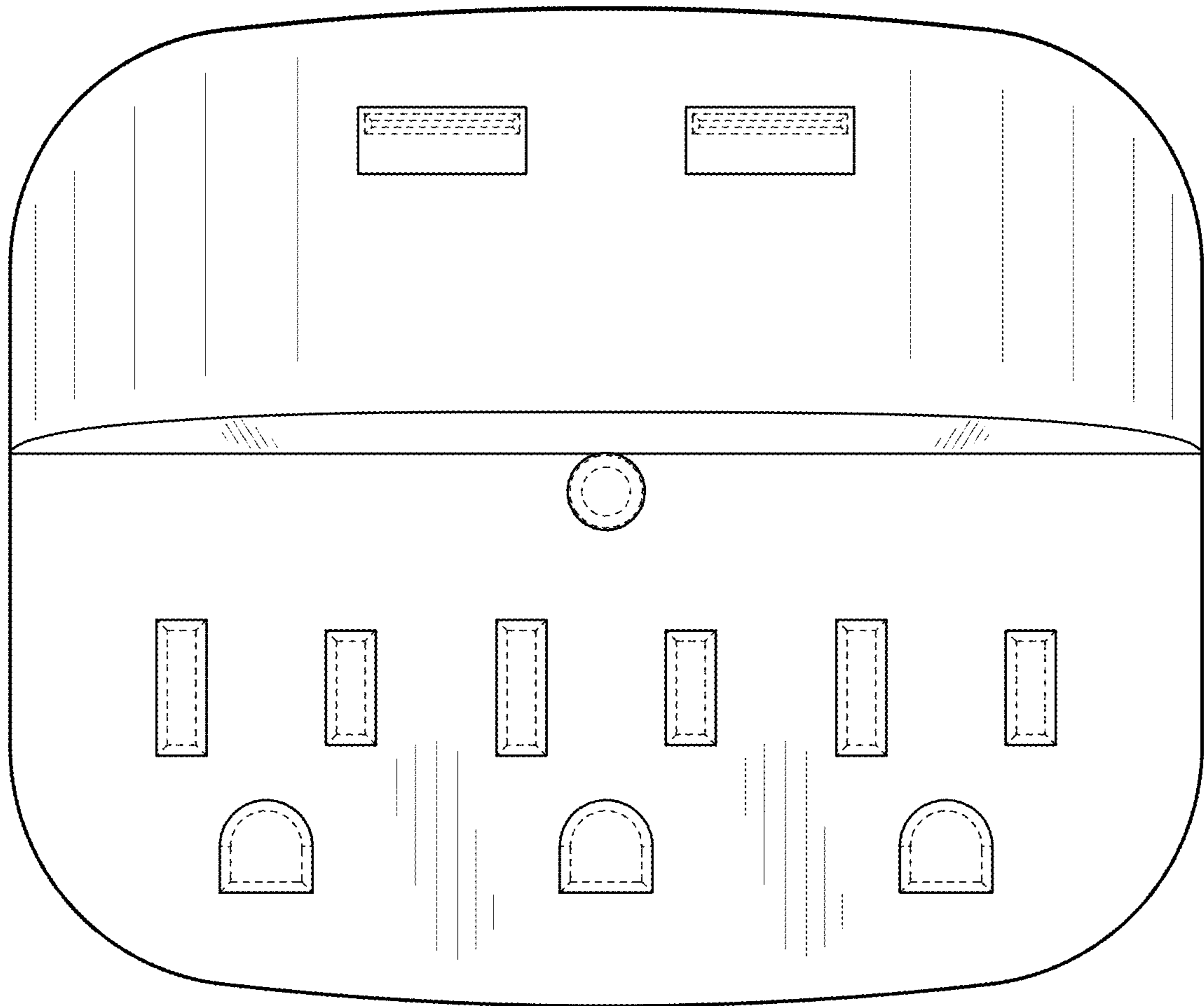


FIG. 2

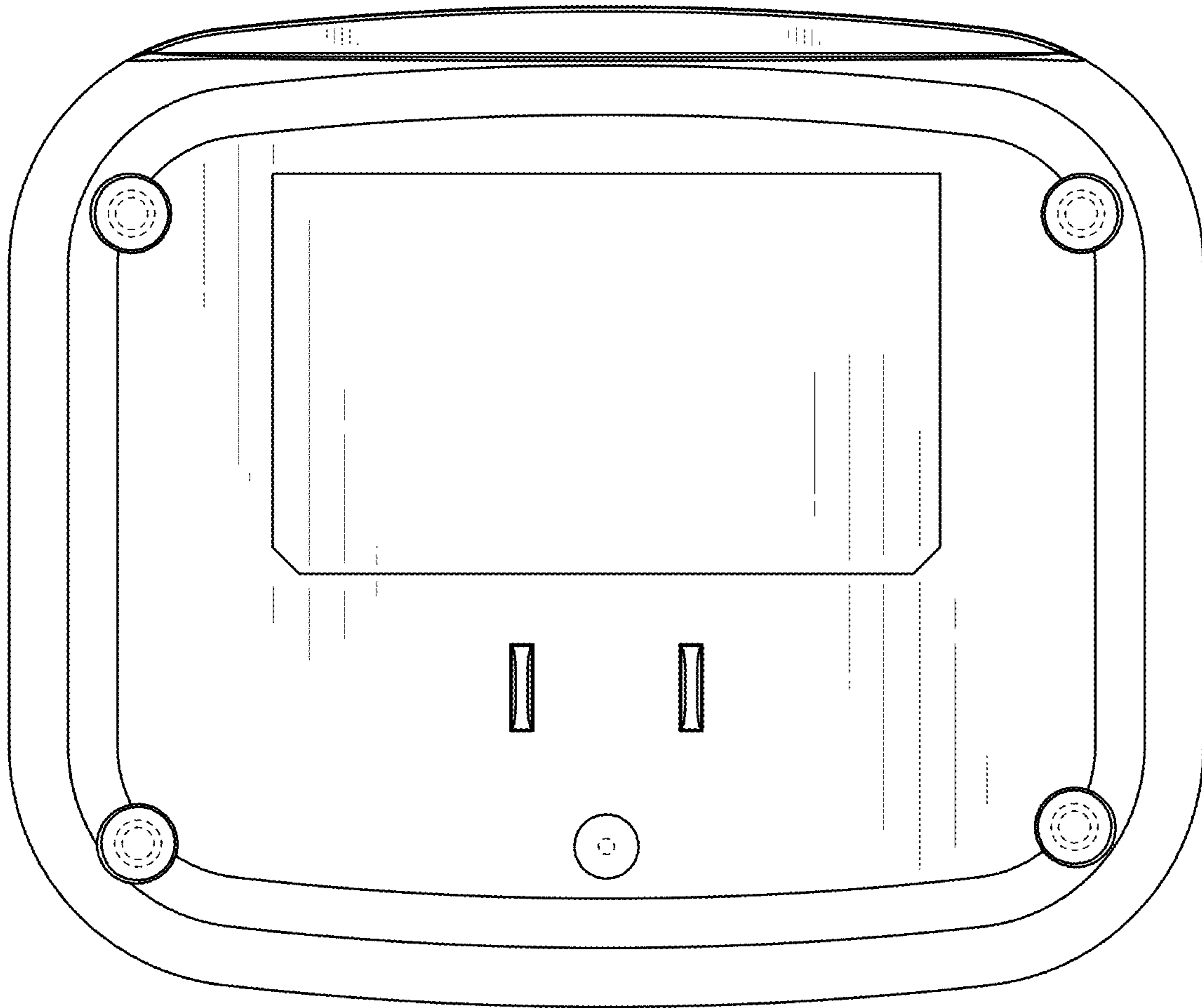


FIG. 3

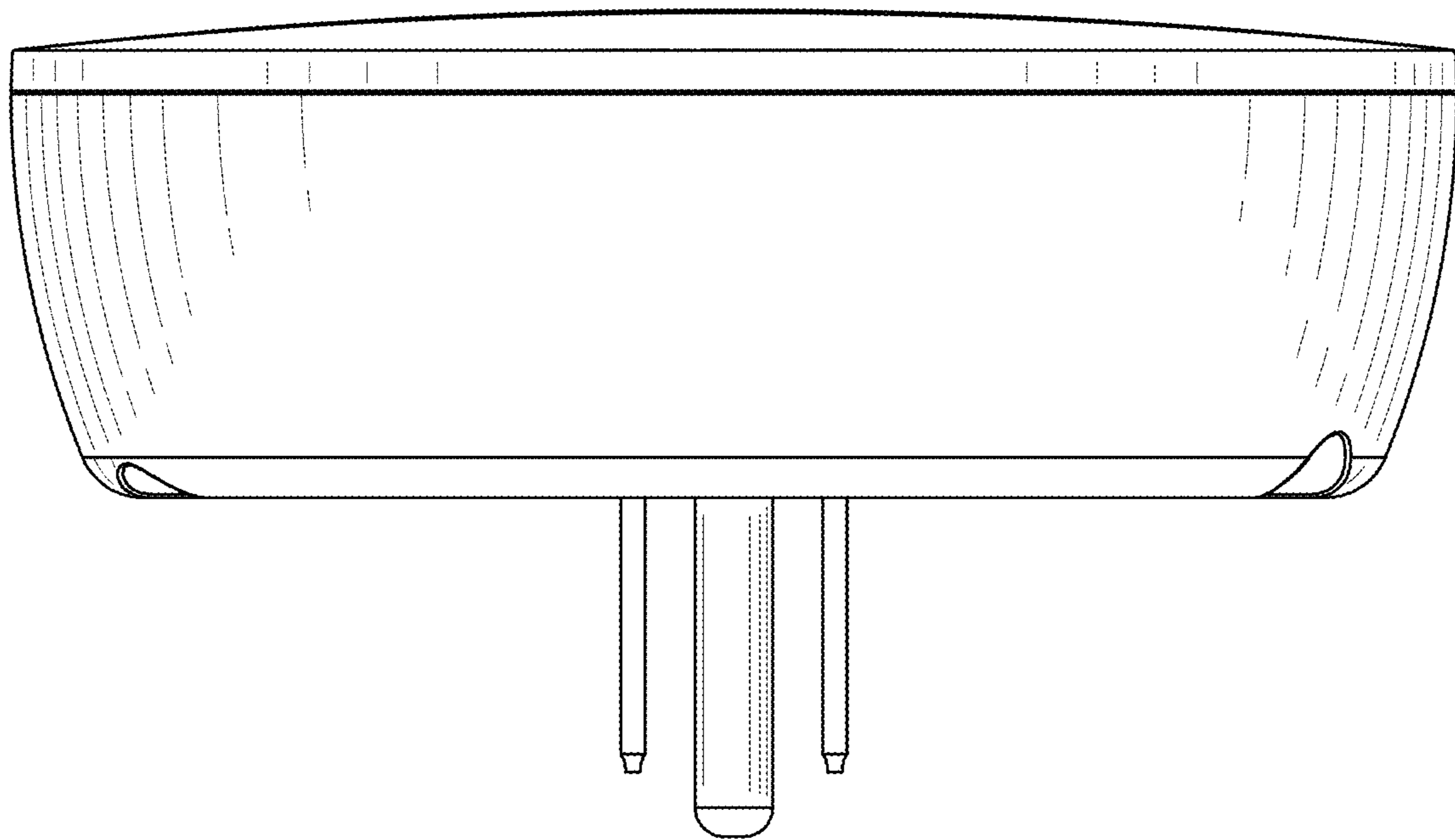


FIG. 4

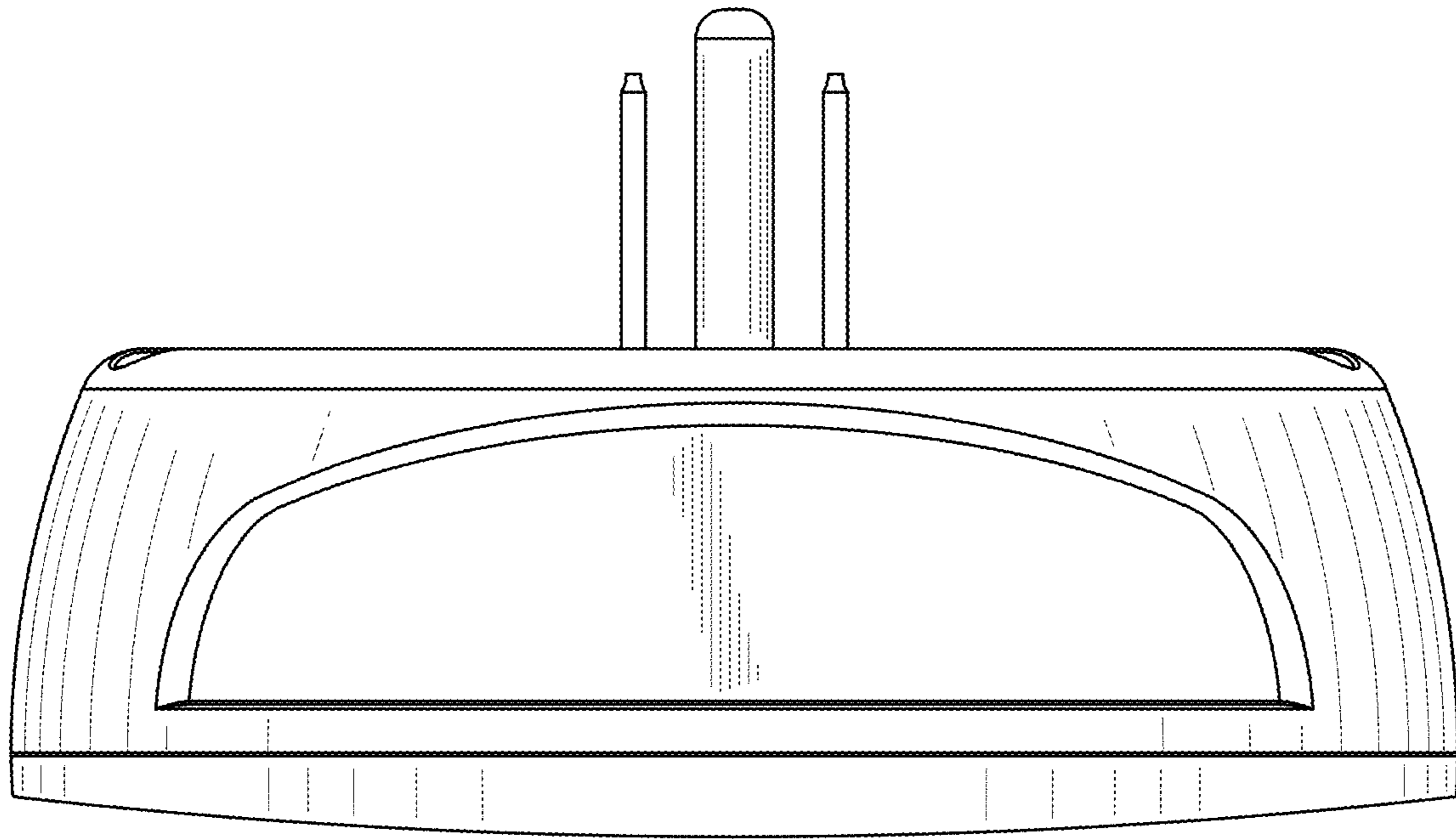


FIG. 5

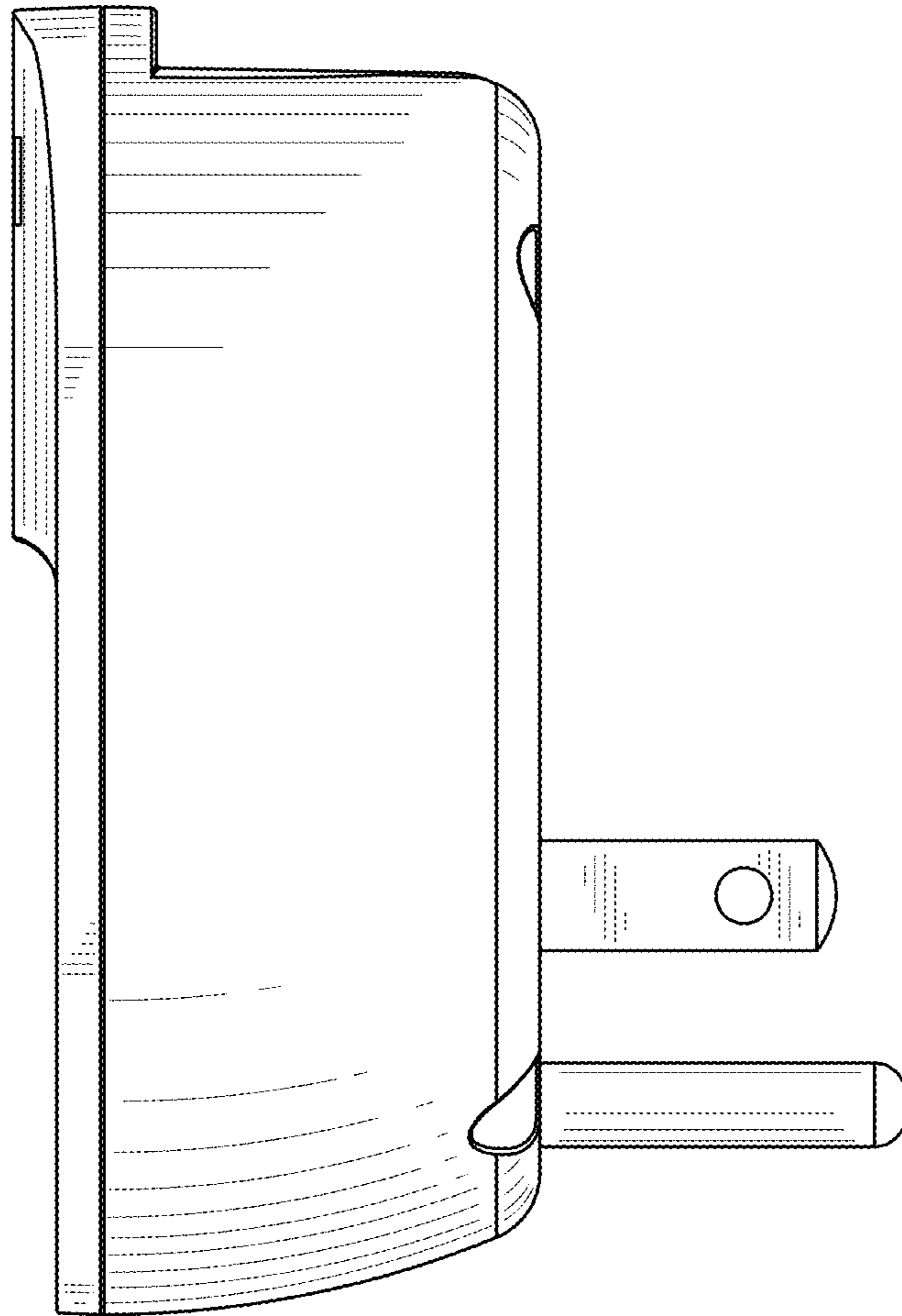


FIG. 6

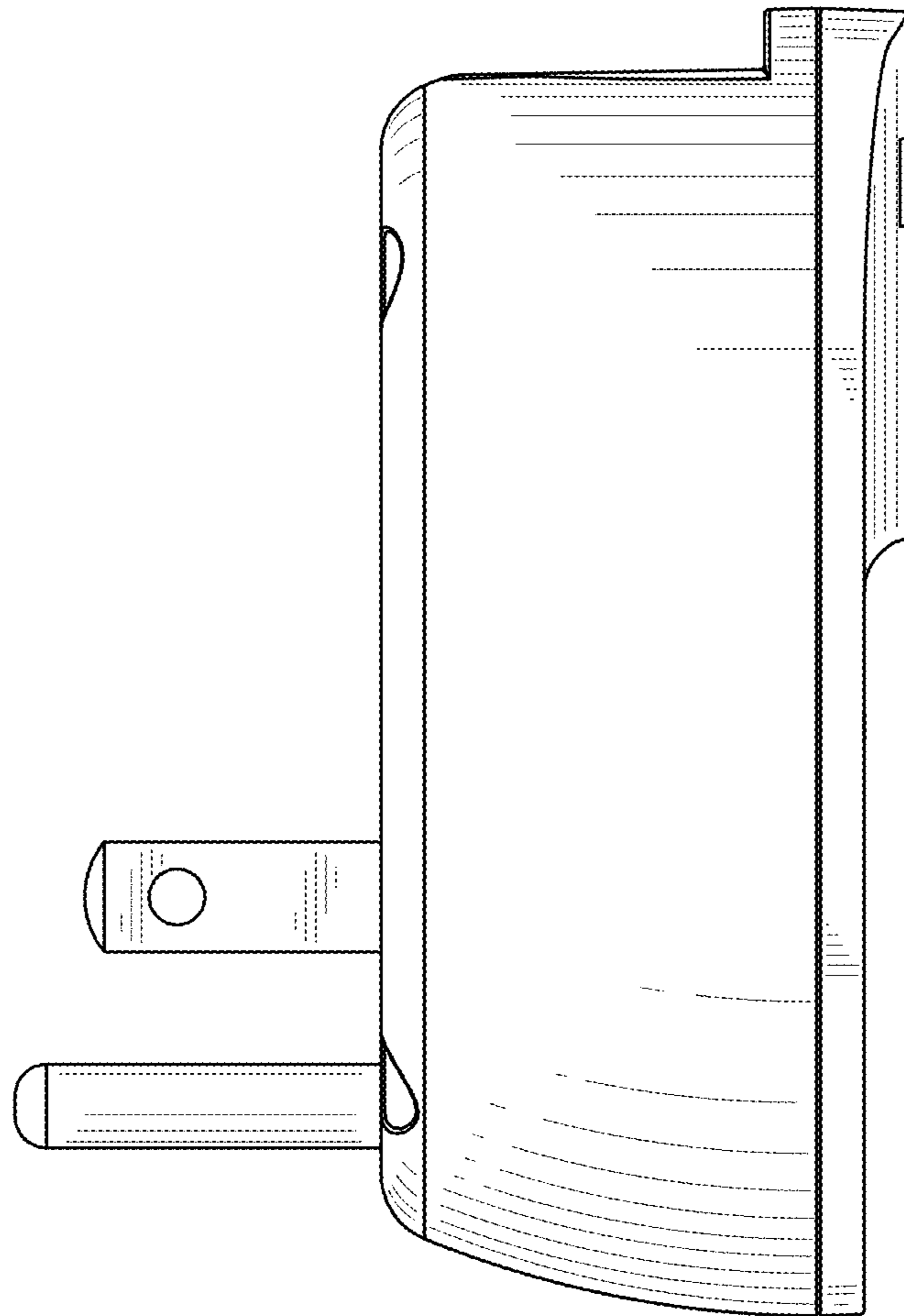


FIG. 7