



US00D924802S

(12) **United States Design Patent**
Hartmann et al.

(10) **Patent No.:** **US D924,802 S**
(45) **Date of Patent:** **** Jul. 13, 2021**

- (54) **BATTERY CONTAINER**
- (71) Applicant: **Latent Heat Solutions, LLC**, Golden, CO (US)
- (72) Inventors: **Mark Hartmann**, Boulder, CO (US);
Joseph Kelly, Arvada, CO (US)
- (73) Assignee: **Latent Heat Solutions, LLC**, Golden, CO (US)
- (**) Term: **15 Years**
- (21) Appl. No.: **29/762,124**
- (22) Filed: **Dec. 15, 2020**

Related U.S. Application Data

- (62) Division of application No. 29/619,763, filed on Oct. 2, 2017, now Pat. No. Des. 911,961.

(51) **LOC (13) Cl.** **13-02**

(52) **U.S. Cl.**
USPC **D13/119**

(58) **Field of Classification Search**
USPC D13/110, 118, 119, 122, 123,
D13/137.1-137.4, 138.1-138.2,
D13/139.1-139.8, 160, 178, 184, 199,
D13/152, 156; D3/262; D24/227, 229,
D24/230

CPC H01R 13/6675; H01R 13/10; H01R 13/44;
H01R 13/66; H01R 13/652; H01R
31/065; H01R 31/00; H01R 9/00; H01R
11/00; H01R 25/00; H01R 25/006; H01H
2207/00; H01H 2207/022

See application file for complete search history.

(56) **References Cited**

U.S. PATENT DOCUMENTS

- 2,926,809 A * 3/1960 Studler B65D 81/133
217/30
- D256,081 S * 7/1980 Patterson D3/311

- D274,789 S * 7/1984 Brown D9/758
- D274,885 S * 7/1984 Joice D9/758
- 4,487,316 A * 12/1984 Calhoun A45D 6/00
206/443
- D287,633 S * 1/1987 Hollar D24/230
- D325,477 S * 4/1992 Poulsen D13/119
- D349,814 S * 8/1994 Crisp D3/319
- D364,929 S * 12/1995 Bigler D24/230
- D380,611 S * 7/1997 Mancusi D13/119
- D420,743 S * 2/2000 Monks D24/224
- D461,554 S * 8/2002 Lafond D24/227
- D515,941 S * 2/2006 Hamblin D24/230
- D515,943 S * 2/2006 Hamblin D24/230
- D596,594 S * 7/2009 Kressy D13/184
- D596,758 S * 7/2009 Constable D24/230
- D598,566 S * 8/2009 Allaer D24/230
- D622,860 S * 8/2010 Karpiloff D24/230
- D625,431 S * 10/2010 Karpiloff D24/230
- D628,450 S * 12/2010 Kulzer D7/701
- D629,121 S * 12/2010 Karpiloff D24/230
- D629,122 S * 12/2010 Karpiloff D24/230
- D632,404 S * 2/2011 Karpiloff D24/230

(Continued)

Primary Examiner — Christy Nemeth

(74) *Attorney, Agent, or Firm* — FisherBroyles, LLP;
Susan M. Oiler

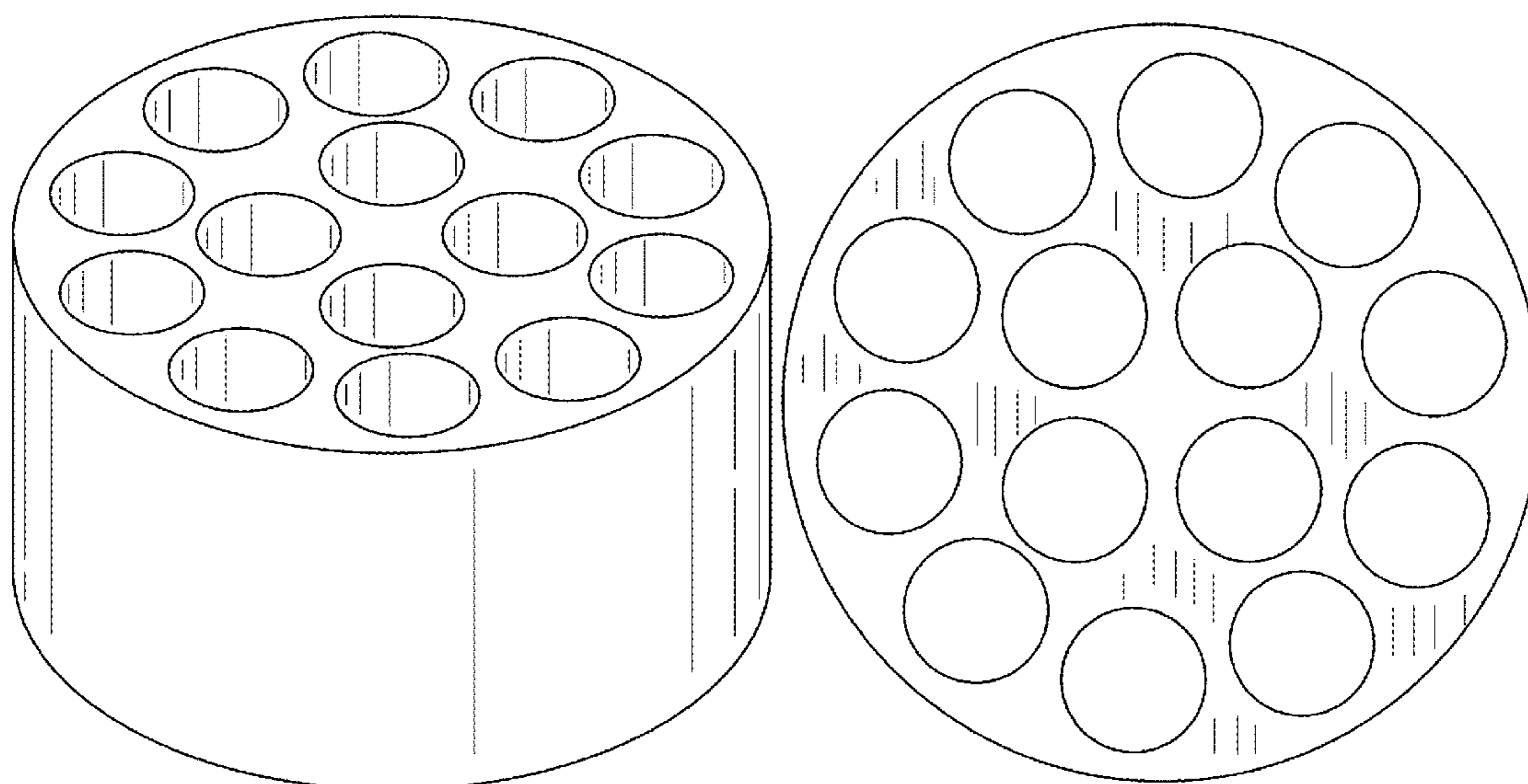
(57) **CLAIM**

The ornamental design for a battery container, as shown and described.

DESCRIPTION

FIG. 1 is a perspective view of a battery container;
FIG. 2 is a front view thereof;
FIG. 3 is a rear view thereof;
FIG. 4 is a right side view thereof;
FIG. 5 is a left side view thereof;
FIG. 6 is a top view thereof; and,
FIG. 7 is a bottom view thereof.

1 Claim, 4 Drawing Sheets



(56)

References Cited

U.S. PATENT DOCUMENTS

D639,447 S * 6/2011 Karpiloff D24/230
 D695,078 S * 12/2013 Hertaus D7/600.1
 D697,227 S * 1/2014 Motadel D24/227
 D699,371 S * 2/2014 Williams D24/230
 D729,550 S * 5/2015 Williams D6/675
 D739,680 S * 9/2015 Smeja D7/600.1
 D768,873 S * 10/2016 Stedman D24/227
 D780,522 S * 3/2017 Howell D7/605
 D787,702 S * 5/2017 Kawamura D24/227
 D788,038 S * 5/2017 Tateno D13/129
 D788,706 S * 6/2017 Tateno D13/129
 D791,717 S * 7/2017 Uusitalo D13/160
 D793,799 S * 8/2017 Dunne D7/357
 D804,052 S * 11/2017 Dadachanji D24/230
 D808,540 S * 1/2018 Johns D24/227
 D809,575 S * 2/2018 Ishizaki D15/136
 D825,775 S * 8/2018 Muller D24/230
 D826,425 S * 8/2018 Muller D24/230
 D826,426 S * 8/2018 Muller D24/230
 D833,031 S * 11/2018 Curry D24/227
 D833,489 S * 11/2018 Ishizaki D15/136
 D834,624 S * 11/2018 Ishizaki D15/136
 D834,722 S * 11/2018 Sugie D24/227
 D839,326 S * 1/2019 Ishizaki D15/136
 D840,053 S * 2/2019 Kamees D24/230
 D844,806 S * 4/2019 Johns D24/227
 D848,735 S * 5/2019 Sibley D3/262

D849,962 S * 5/2019 Curry D24/227
 D854,707 S * 7/2019 Jakobsen D24/230
 D863,591 S * 10/2019 Manich D24/227
 D867,614 S * 11/2019 Jones D24/227
 D868,289 S * 11/2019 Muller D24/230
 D868,996 S * 12/2019 Muller D24/230
 D873,170 S * 1/2020 Cooley A01G 9/0295
 D875,272 S * 2/2020 Muller D24/224
 D882,818 S * 4/2020 Leimkuehler D24/227
 D887,890 S * 6/2020 Liu D11/155
 D892,755 S * 8/2020 Dubois D13/199
 D893,440 S * 8/2020 Krivonak D13/184
 D893,747 S * 8/2020 Hautamaki D24/229
 D894,424 S * 8/2020 Livingston D24/227
 D902,433 S * 11/2020 Livingston D24/227
 D902,434 S * 11/2020 Livingston D24/227
 D903,592 S * 12/2020 Hoshida D13/118
 D903,593 S * 12/2020 Hoshida D13/118
 D904,304 S * 12/2020 Hoshida D13/118
 D911,285 S * 2/2021 Manuel D13/119
 D911,961 S * 3/2021 Hartmann D13/119
 2004/0031835 A1 * 2/2004 McLeod F42B 39/26
 2007/0020512 A1 * 1/2007 Wakuda B65D 71/70
 2019/0372069 A1 * 12/2019 Lee H01M 10/0422
 2020/0014006 A1 * 1/2020 Oliveira H01M 10/653
 2020/0220122 A1 * 7/2020 Haertel H01M 50/20

* cited by examiner

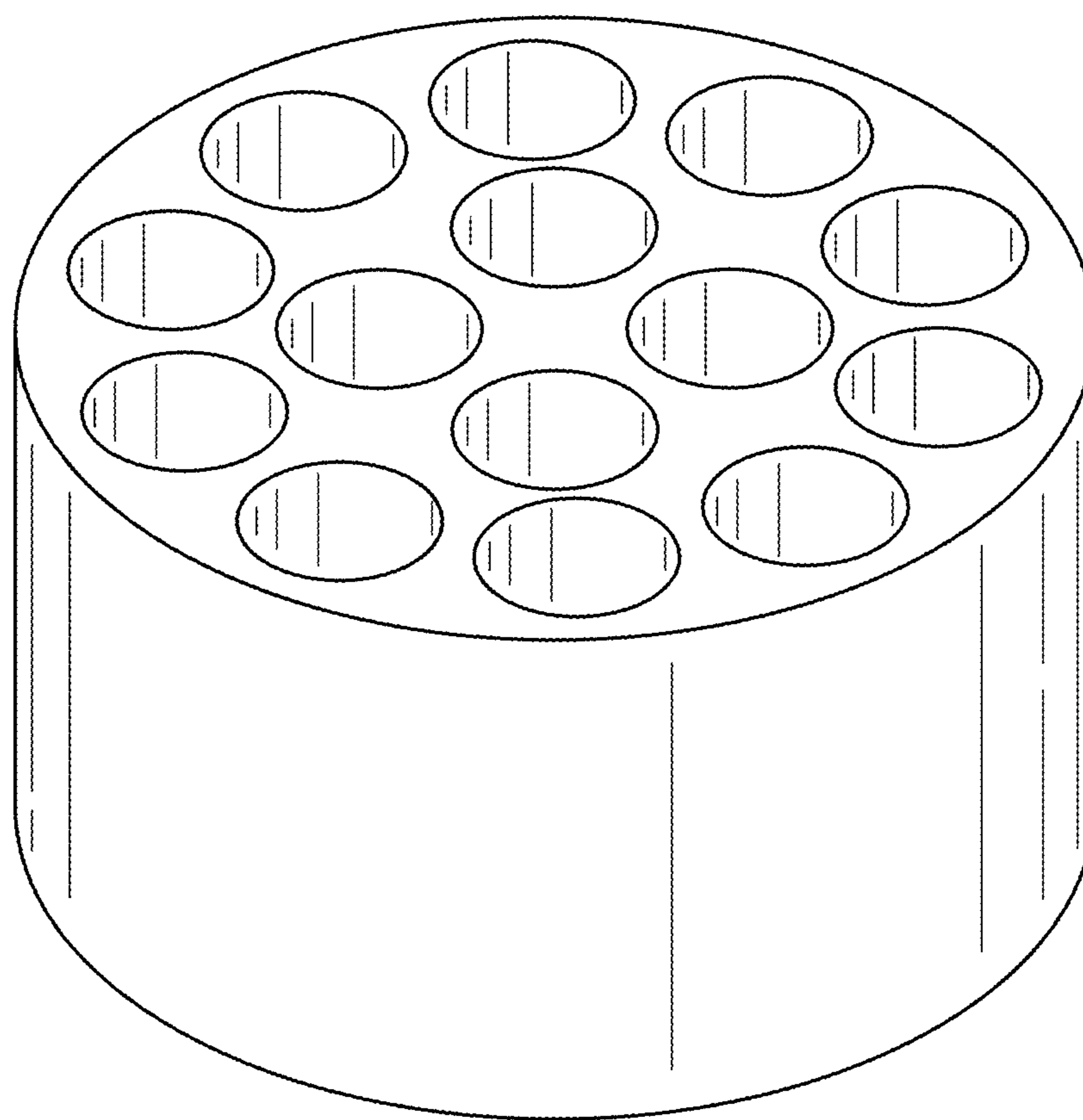


FIG. 1

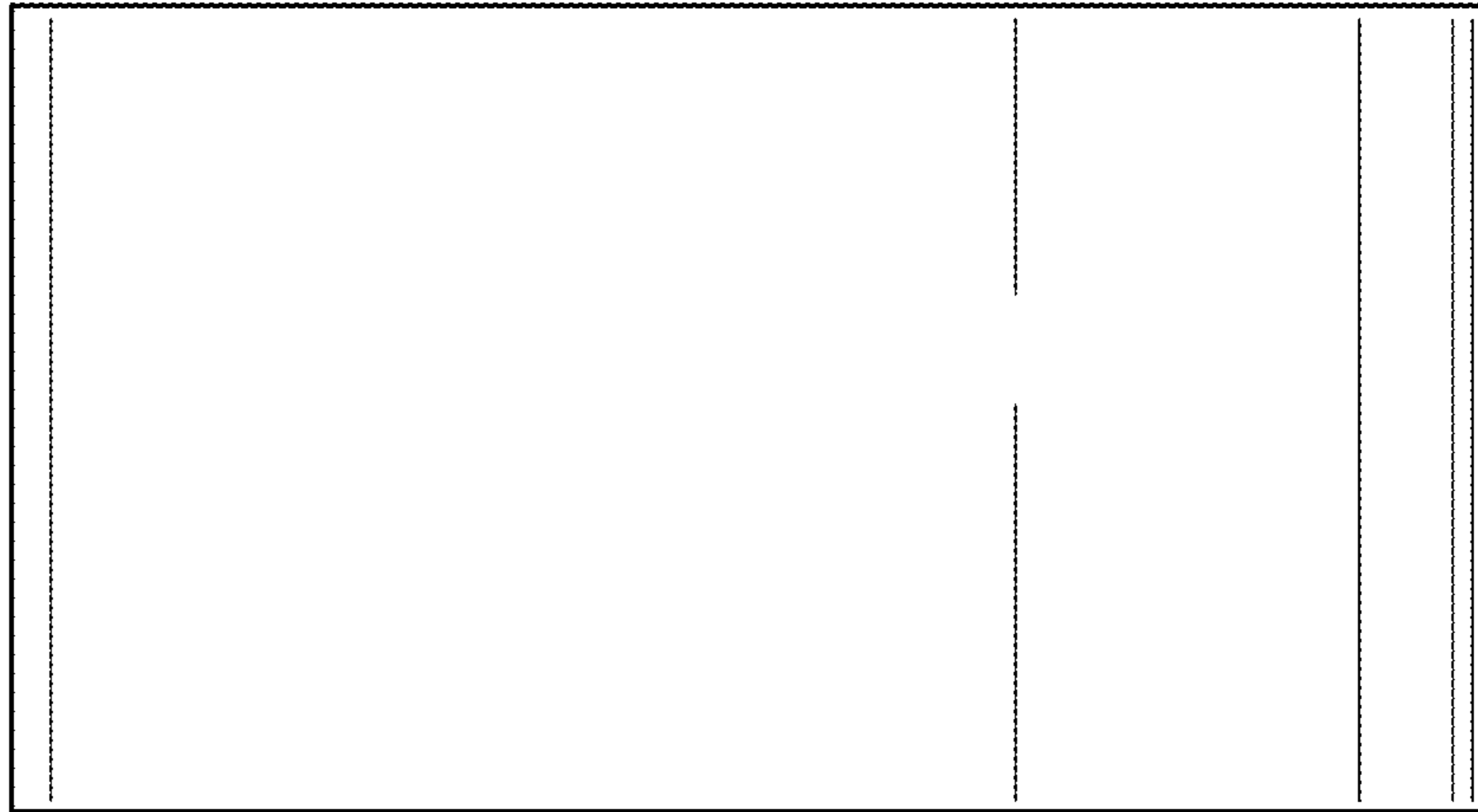


FIG. 2

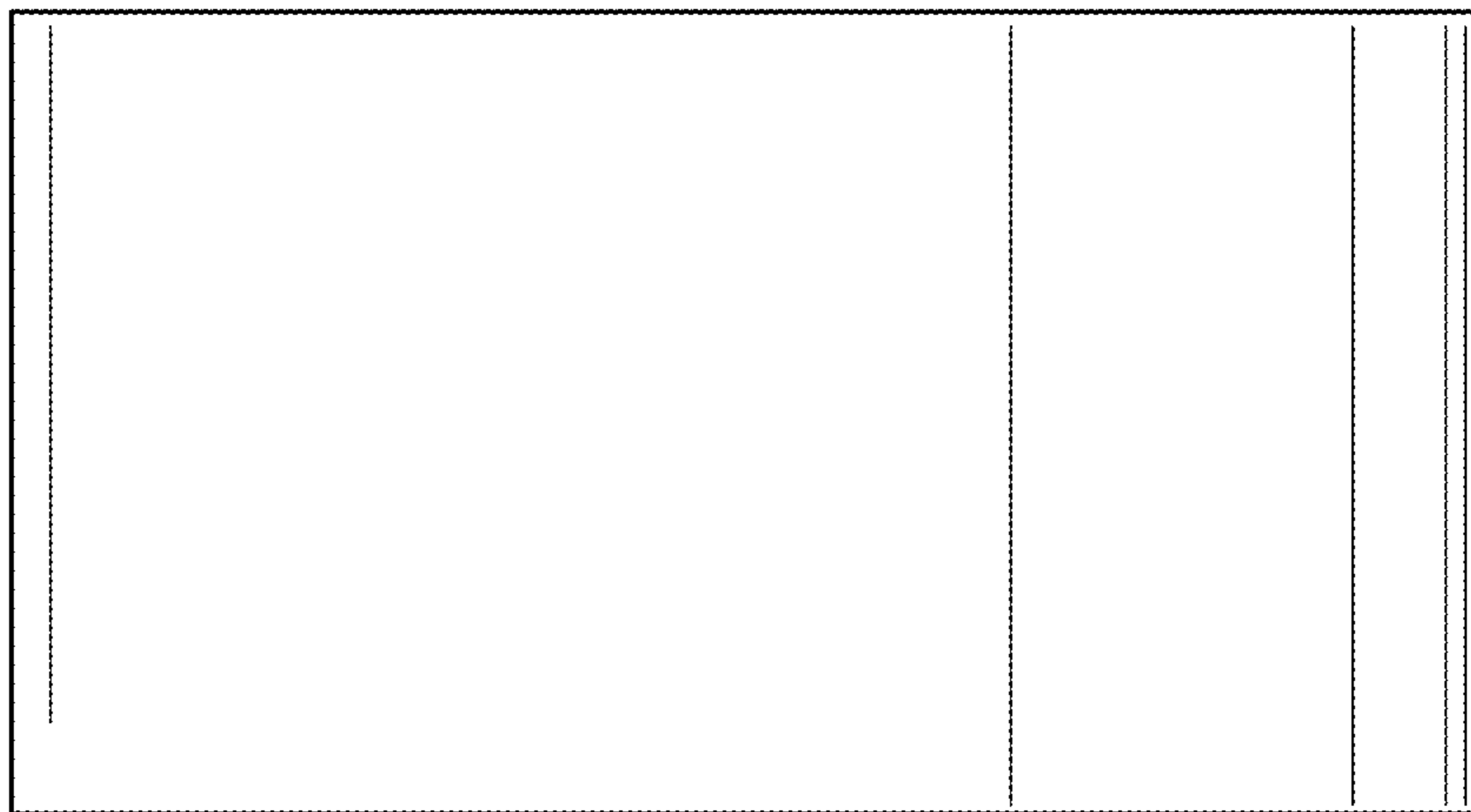


FIG. 3

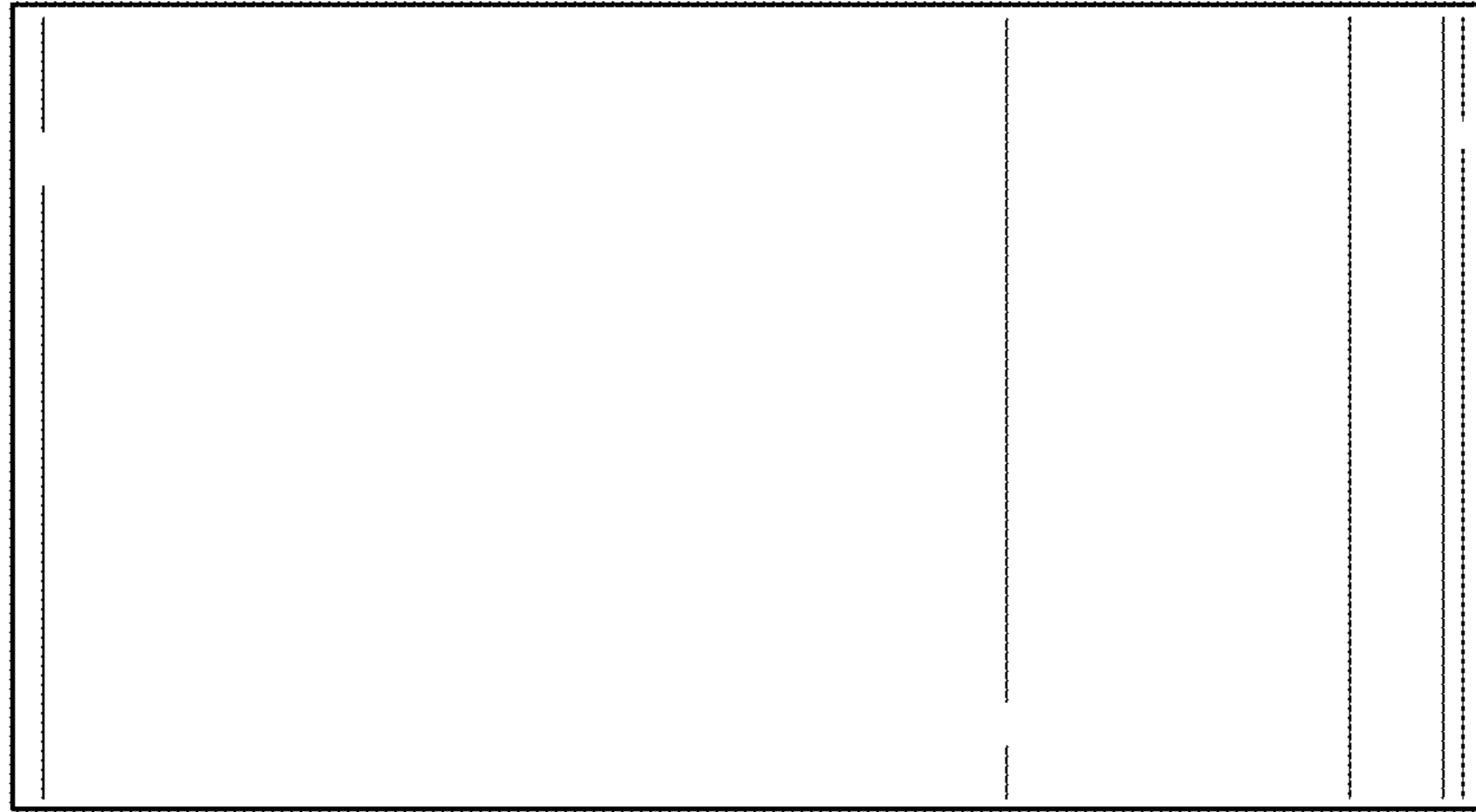


FIG. 4

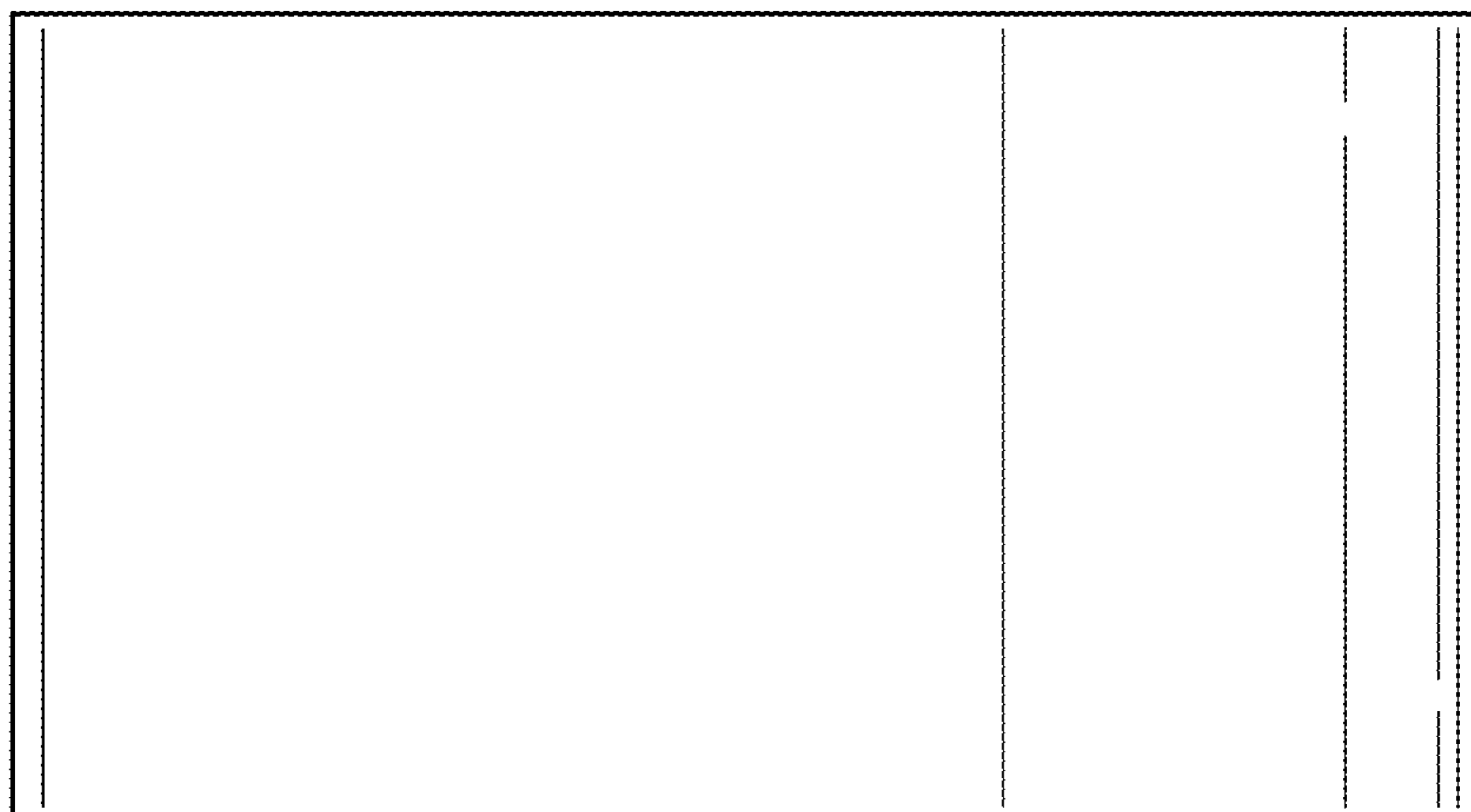


FIG. 5

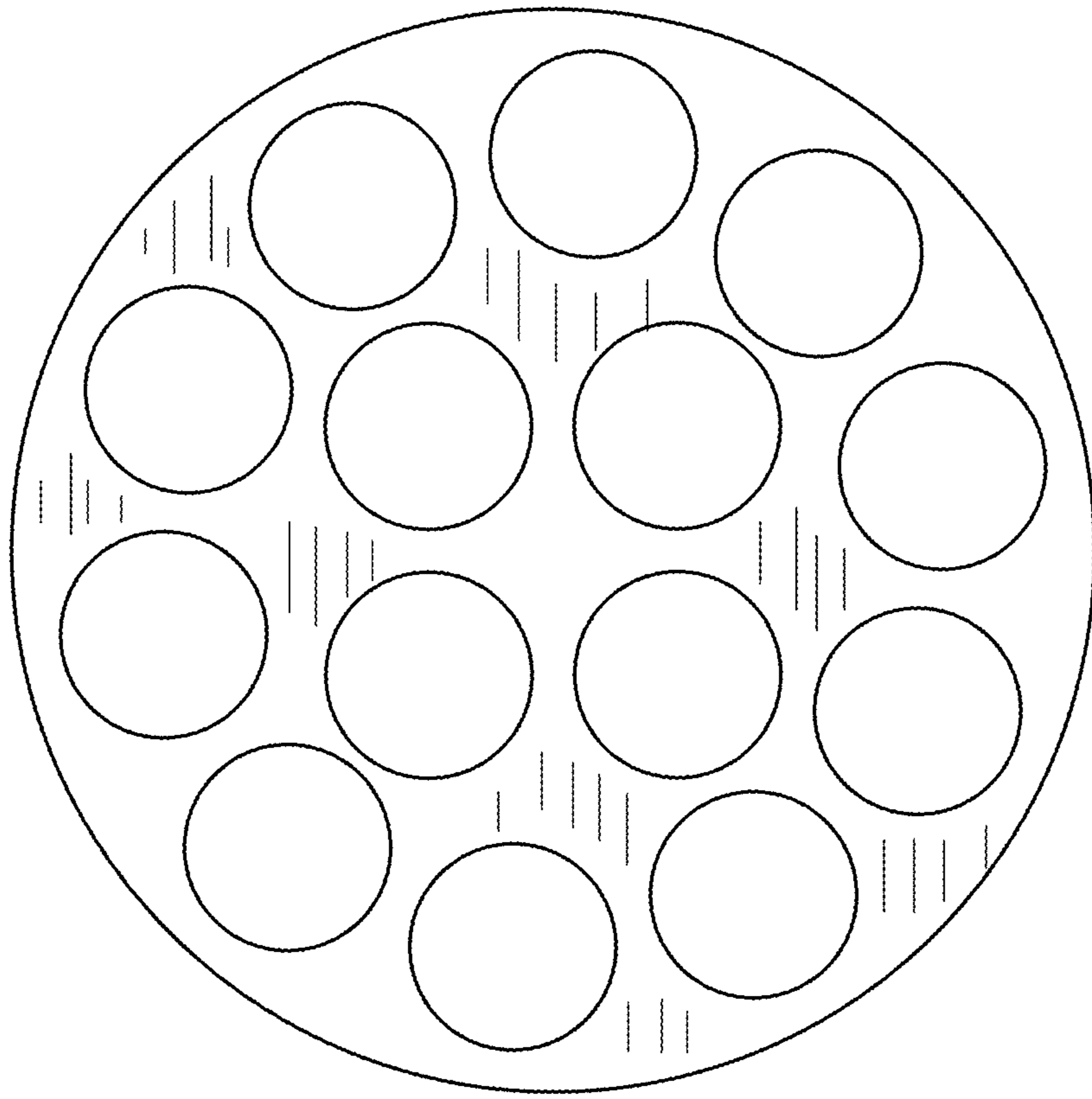


FIG. 6

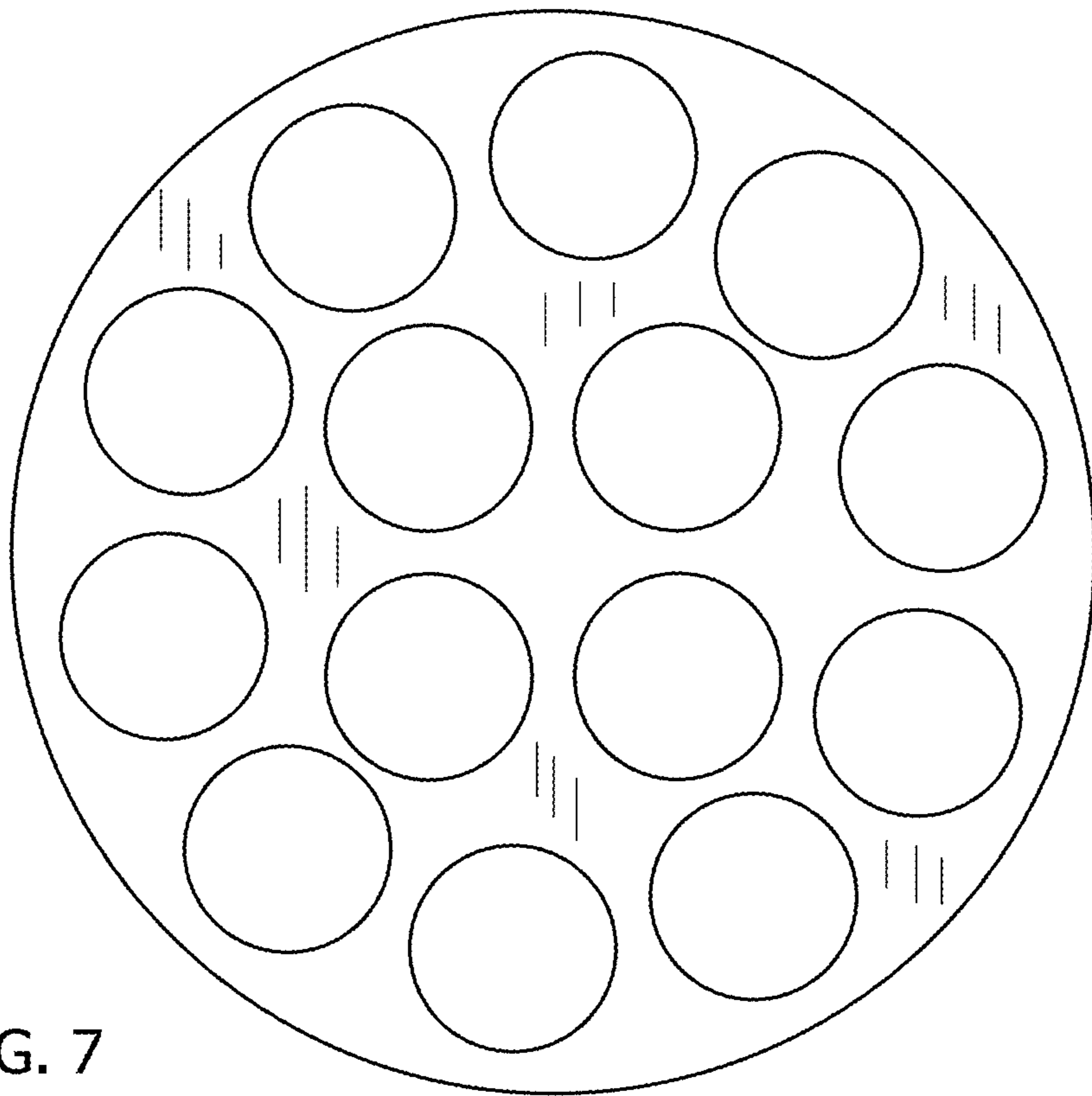


FIG. 7