



US00D924799S

(12) **United States Design Patent** (10) **Patent No.:** **US D924,799 S**  
**Simon et al.** (45) **Date of Patent:** **\*\* Jul. 13, 2021**

(54) **GENERATOR**

(71) Applicant: **Cummins Generator Technologies Limited**, Peterborough (GB)  
(72) Inventors: **Kevan John Simon**, Peterborough (GB); **Neil Brown**, Peterborough (GB); **Peethamparam Anpalahan**, Peterborough (GB); **Philip Bend**, Peterborough (GB); **Robert Mitchell Rolston**, Peterborough (GB)

(73) Assignee: **Cummins Generator Technologies Limited**, Peterborough (GB)

(\*\*) Term: **15 Years**

(21) Appl. No.: **29/677,618**

(22) Filed: **Jan. 22, 2019**

(30) **Foreign Application Priority Data**

Jul. 26, 2018 (EM) ..... 005515608-0001  
Jul. 26, 2018 (EM) ..... 005515608-0002  
Jul. 26, 2018 (EM) ..... 005515608-0003  
Jul. 26, 2018 (EM) ..... 005515608-0004

(51) **LOC (13) Cl.** ..... **13-01**

(52) **U.S. Cl.**  
USPC ..... **D13/112**

(58) **Field of Classification Search**  
USPC ..... D13/107, 108, 110–118, 122, 133, 146, D13/147, 153, 154, 184, 199  
CPC ..... H01R 13/00; H01R 13/424; H01R 13/64; H01R 4/00; H01R 11/00; H01R 31/06; H01R 24/38; H02J 3/38; H02J 7/0042; H02J 7/0045; H02J 7/0052  
See application file for complete search history.

(56) **References Cited**

**U.S. PATENT DOCUMENTS**

D148,332 S \* 1/1948 Scofield ..... D13/110  
D207,401 S \* 4/1967 Andrews ..... D13/114

D236,985 S \* 9/1975 Boumann ..... D13/114  
D398,285 S \* 9/1998 Becker ..... D13/114  
D425,020 S \* 5/2000 Becker ..... D13/114  
D574,325 S \* 8/2008 Naghshineh ..... D13/114  
D587,194 S \* 2/2009 Pourkermani ..... D13/114  
D769,191 S \* 10/2016 Vohlgemuth ..... D13/114  
D772,814 S \* 11/2016 Rivault ..... D13/114  
D794,563 S \* 8/2017 Matta ..... D13/114

(Continued)

*Primary Examiner* — Jennifer Rivard  
*Assistant Examiner* — Alison M Ofstun  
(74) *Attorney, Agent, or Firm* — Foley & Lardner LLP

(57) **CLAIM**

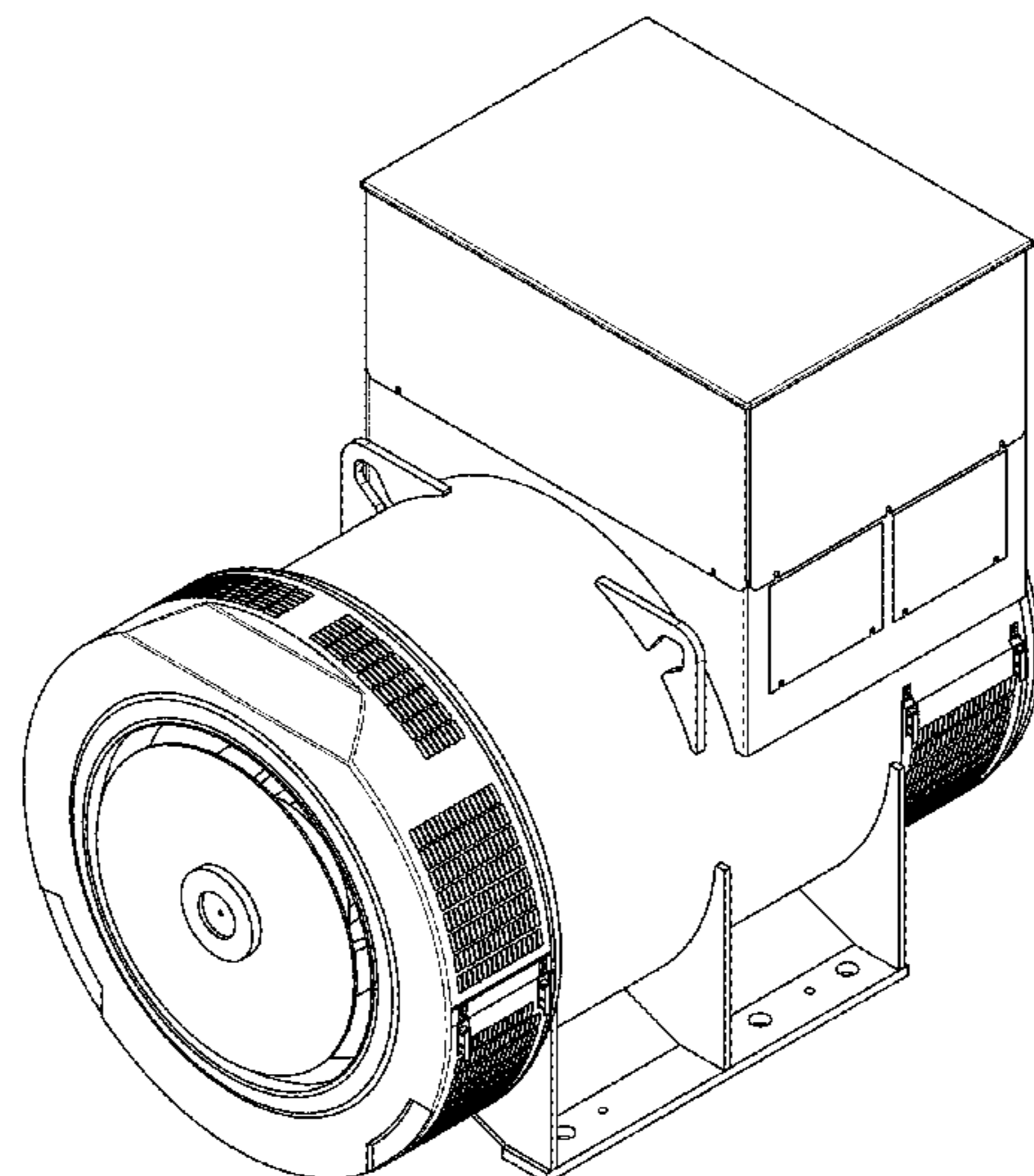
The ornamental design for a generator, as shown and described.

**DESCRIPTION**

FIG. 1 is a top, front, left isometric view of a first embodiment of a generator showing our new design; FIG. 2 is a left side elevational view thereof; FIG. 3 is a right side elevational view thereof; FIG. 4 is a rear elevational view thereof; FIG. 5 is a front elevational view thereof; FIG. 6 is a top plan view thereof; FIG. 7 is a bottom plan view thereof; FIG. 8 is a top, front, left isometric view of a second embodiment of a generator; FIG. 9 is a left side elevational view thereof; FIG. 10 is a right side elevational view thereof; FIG. 11 is a rear elevational view thereof; FIG. 12 is a front elevational view thereof; FIG. 13 is a top plan view thereof; and, FIG. 14 is a bottom plan view thereof.

The ornamental design which is claimed is shown in solid lines in the drawings. Any broken lines in the figures illustrate portions of the generator that form no part of the claimed design.

**1 Claim, 14 Drawing Sheets**



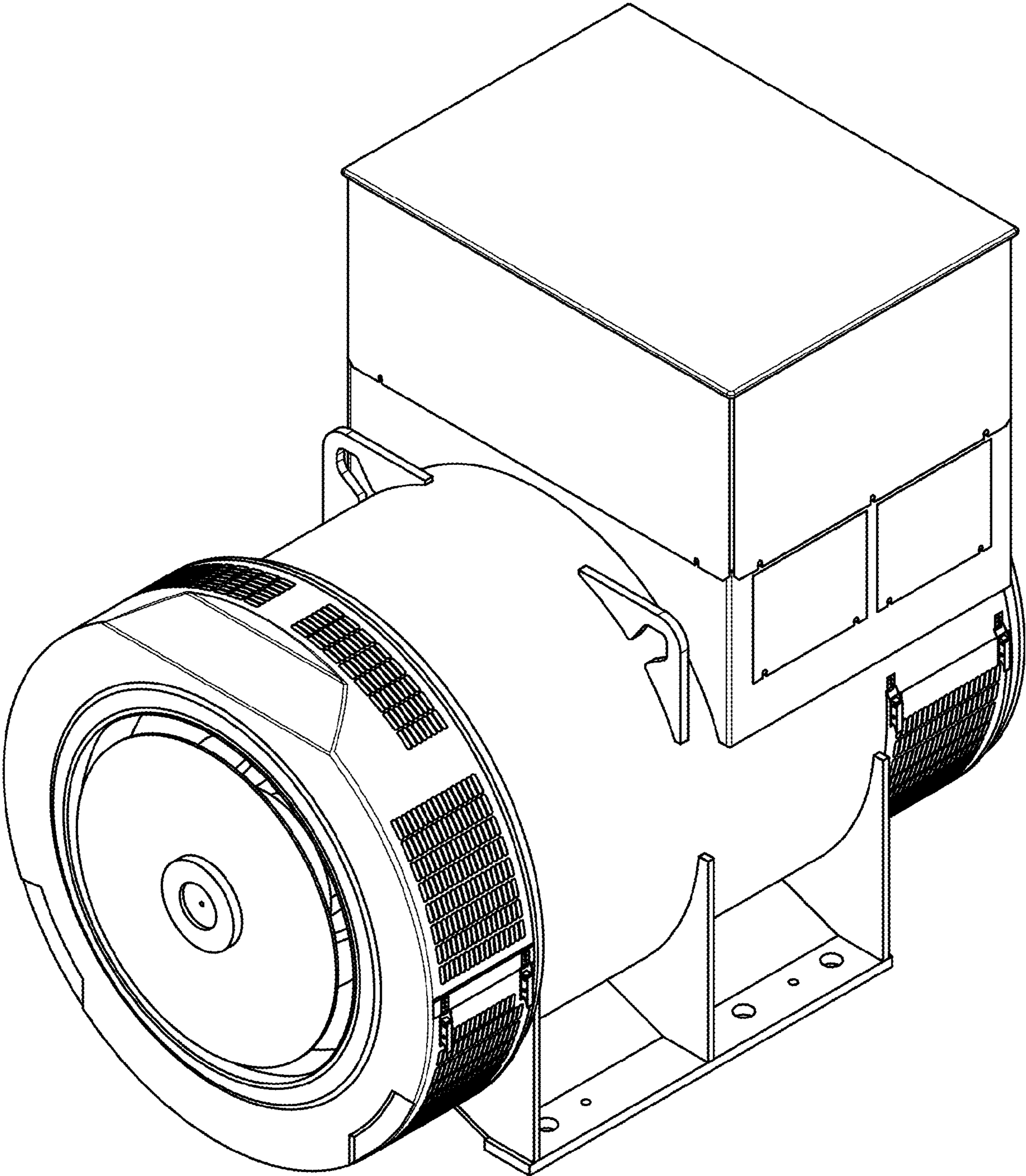
(56)

**References Cited**

U.S. PATENT DOCUMENTS

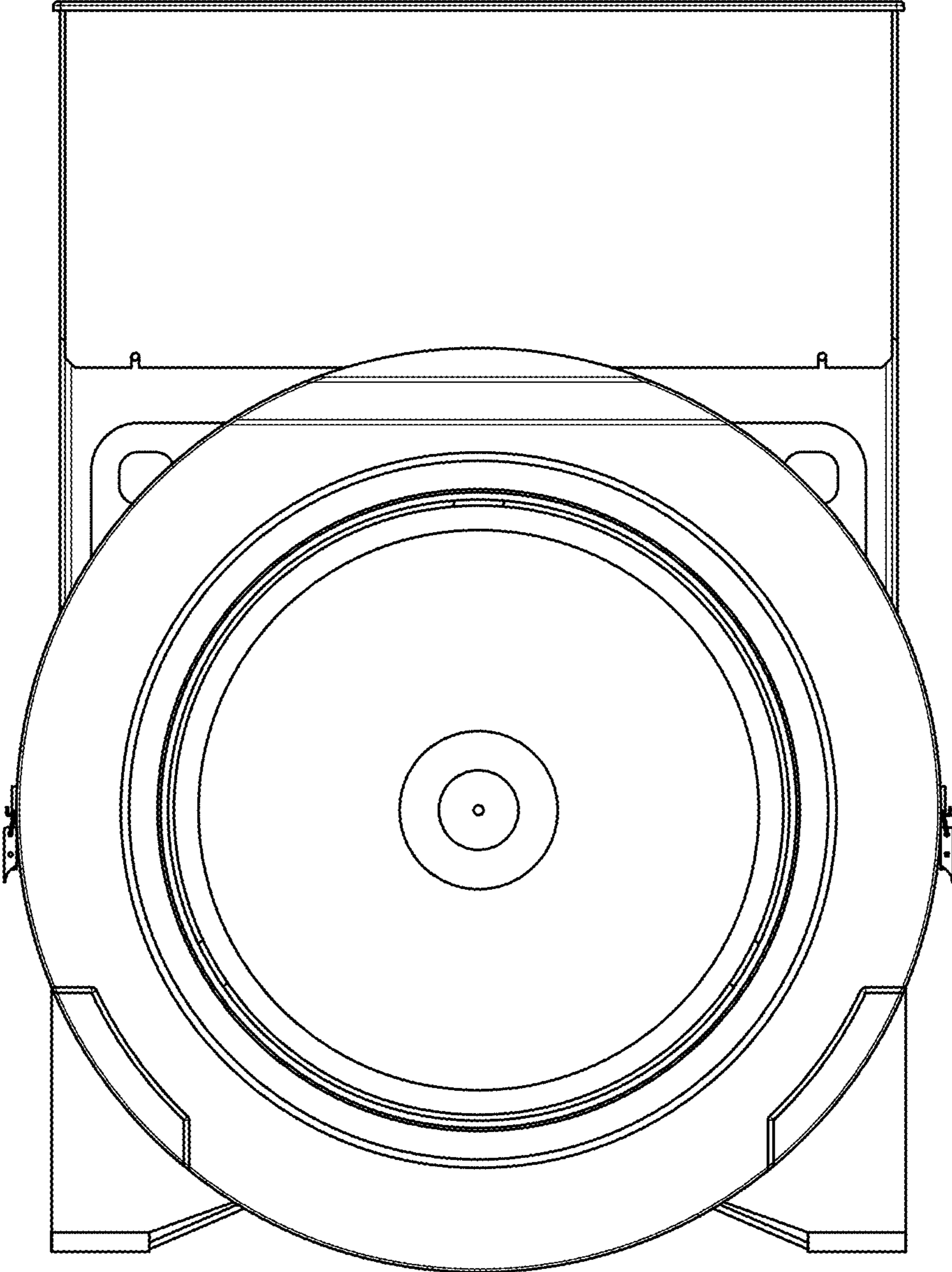
D813,811 S *	3/2018	Courtois .....	D13/114
D817,877 S *	5/2018	Grillenberger .....	D13/112
D845,236 S *	4/2019	Grillenberger .....	D13/112
D879,037 S *	3/2020	Simon .....	D13/112
D879,717 S *	3/2020	Simon .....	D13/112
D880,421 S *	4/2020	Koike .....	D13/118
2016/0252081 A1 *	9/2016	Jones .....	F04D 27/009 417/406
2017/0037843 A1 *	2/2017	Yeats .....	F04B 39/123
2019/0123618 A1 *	4/2019	Agrawal .....	F01D 15/10

\* cited by examiner

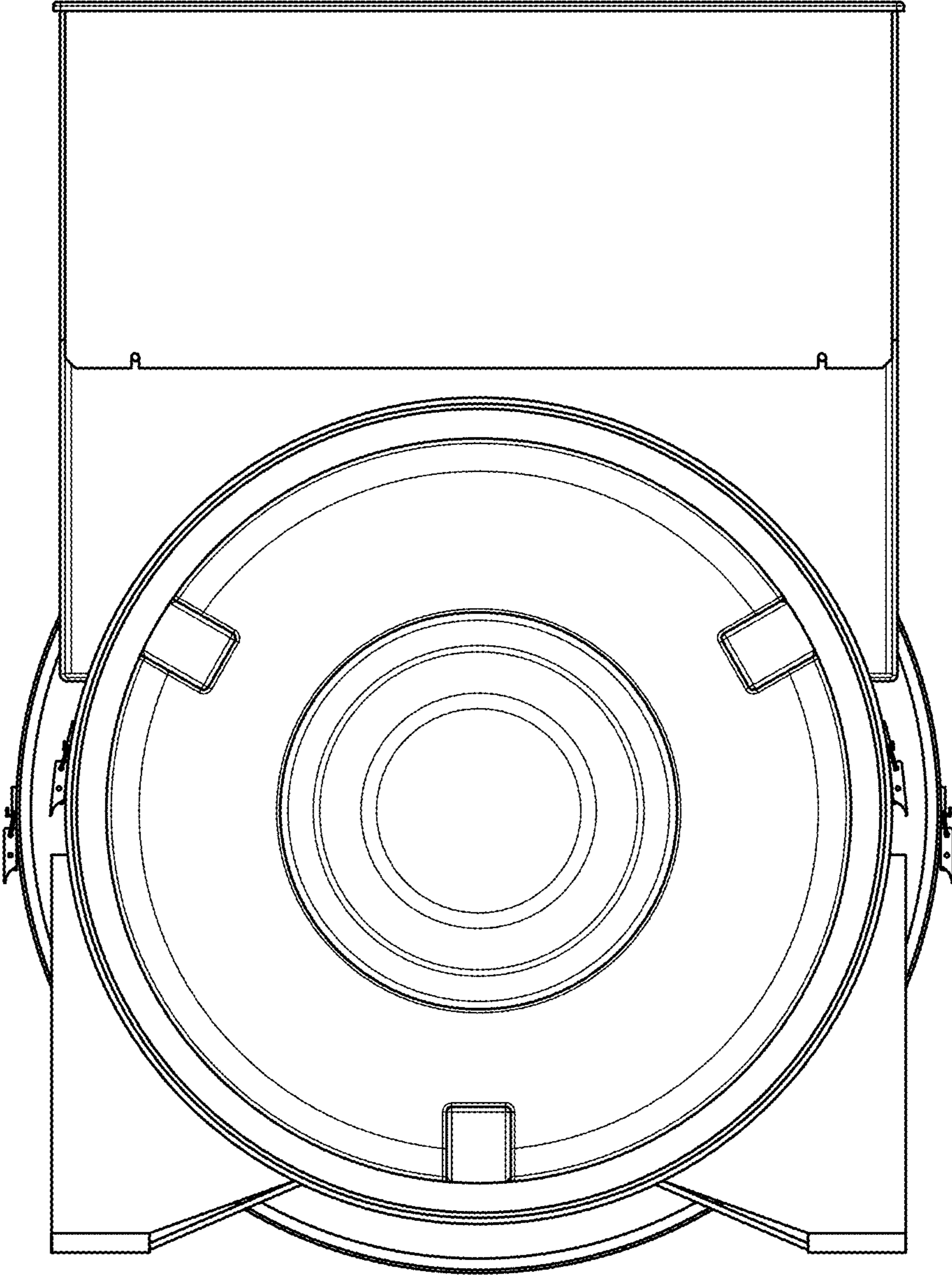


**FIG. 1**

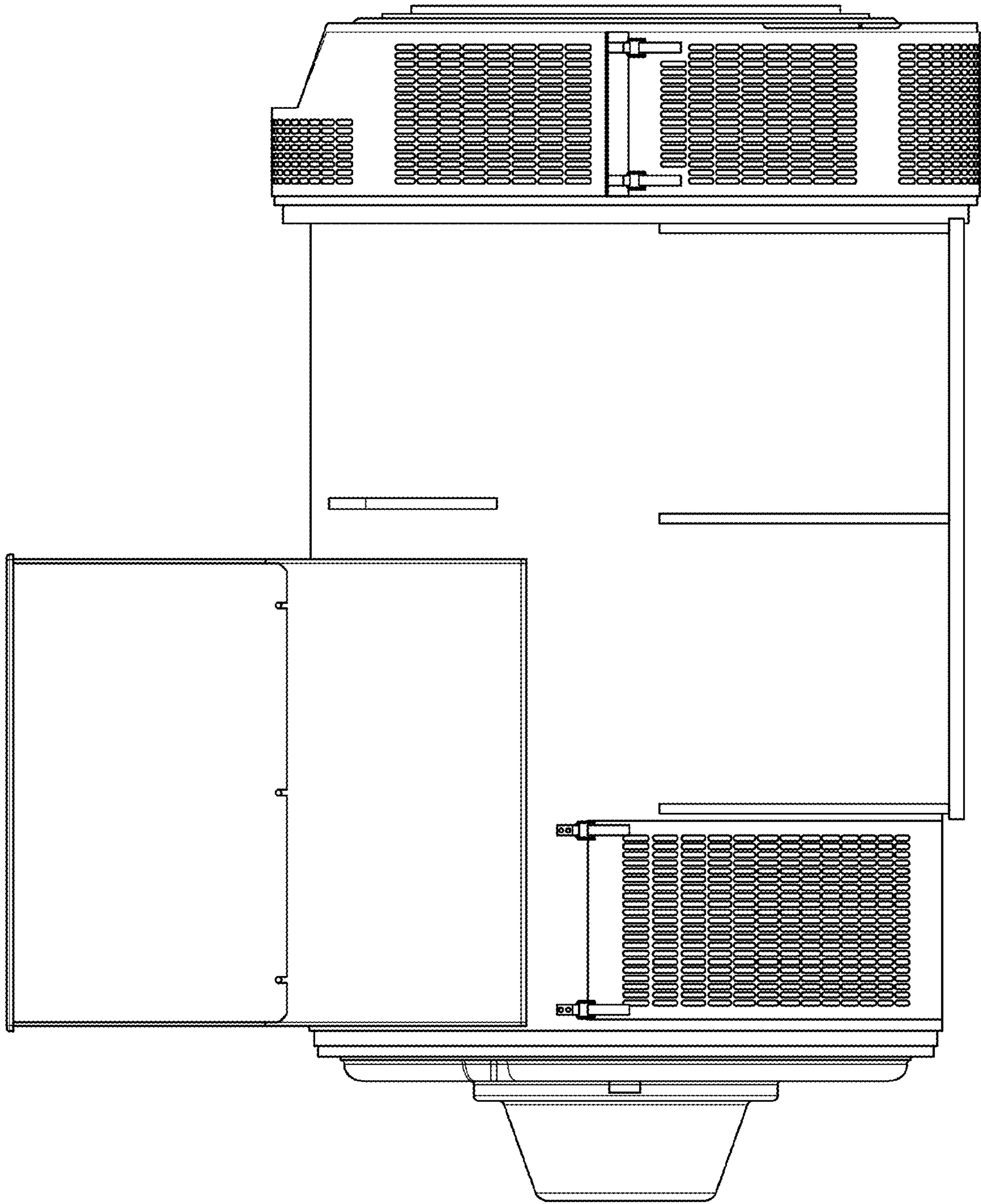




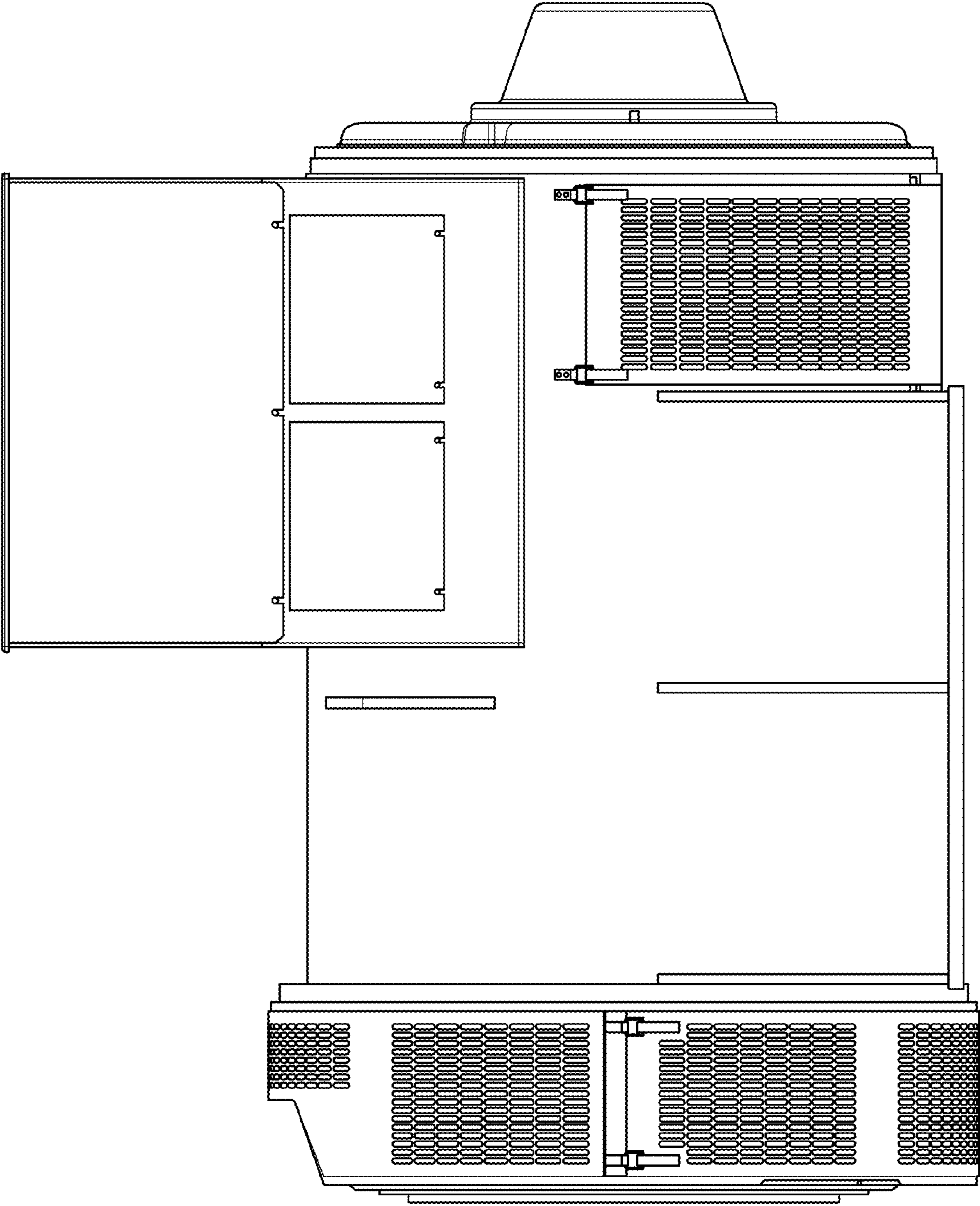
**FIG. 2**



**FIG. 3**

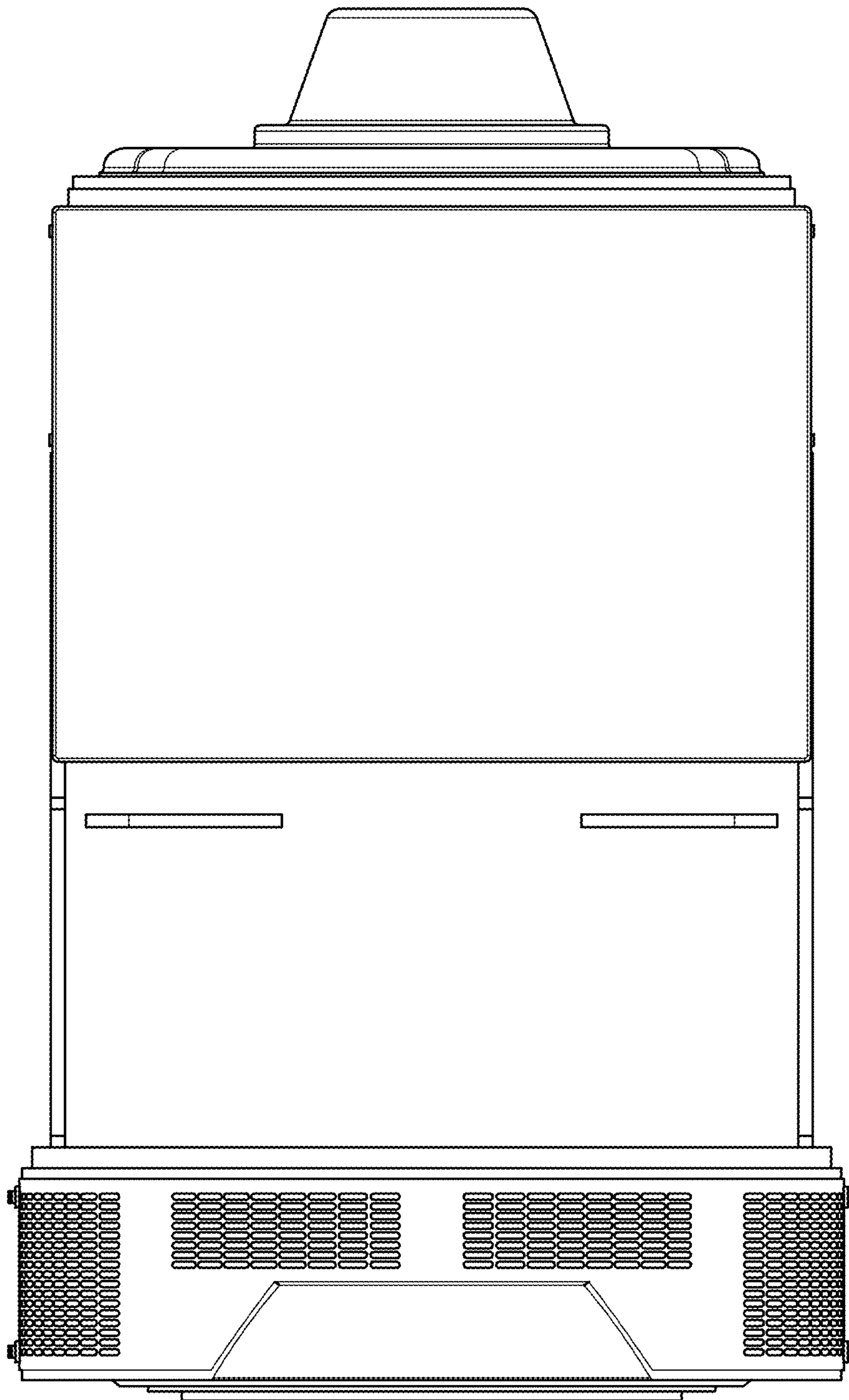


**FIG. 4**



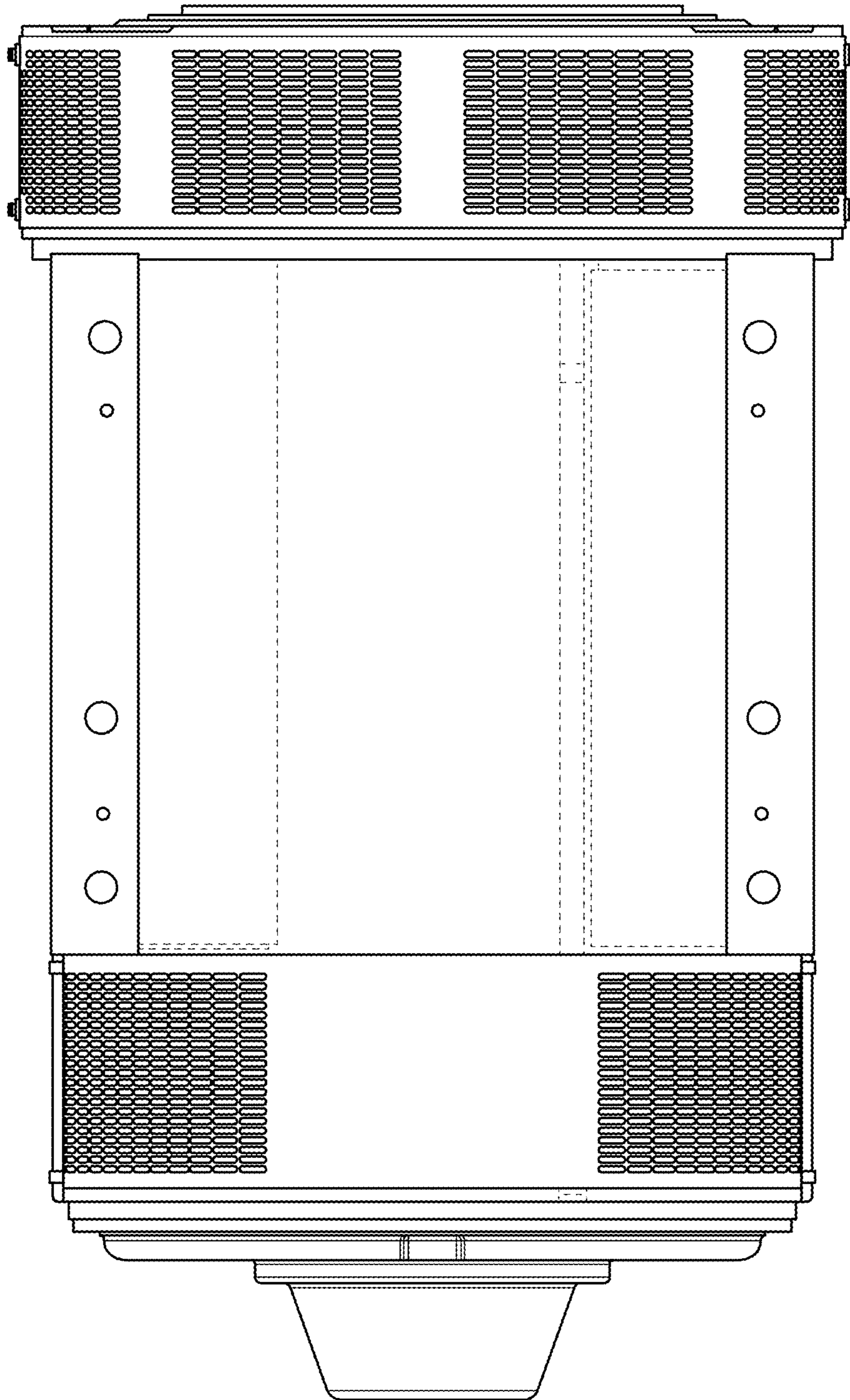
**FIG. 5**



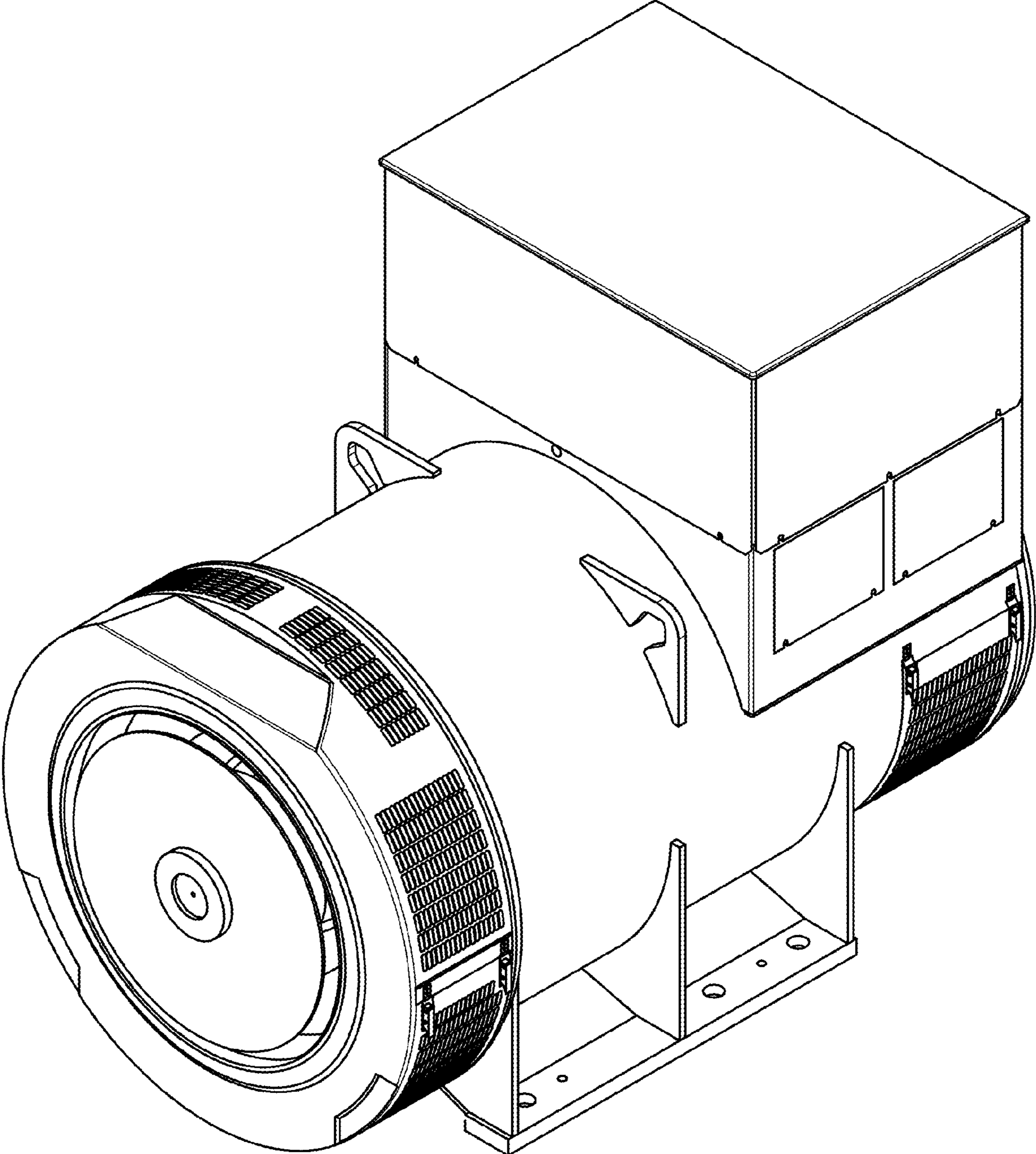


**FIG. 6**

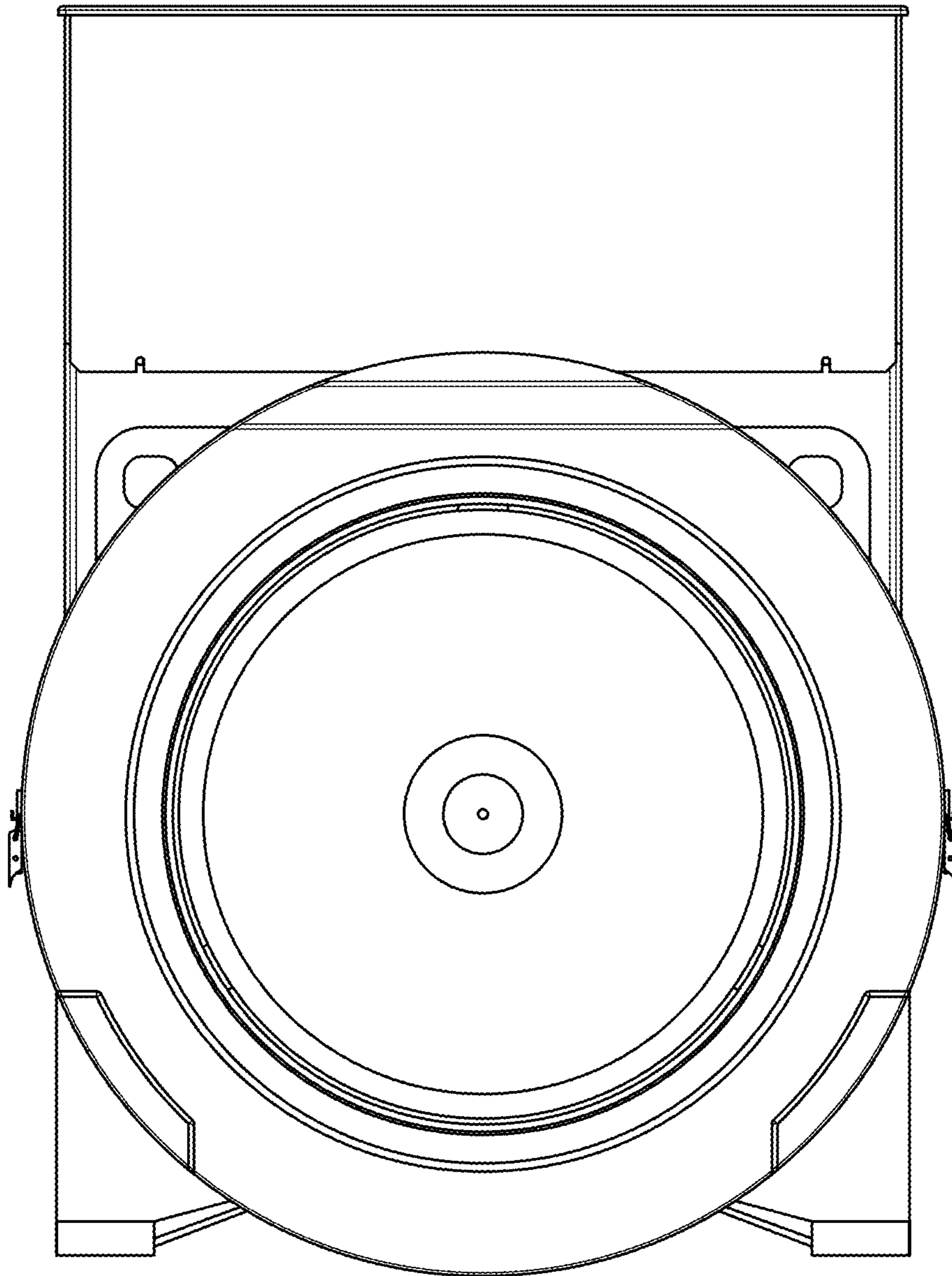




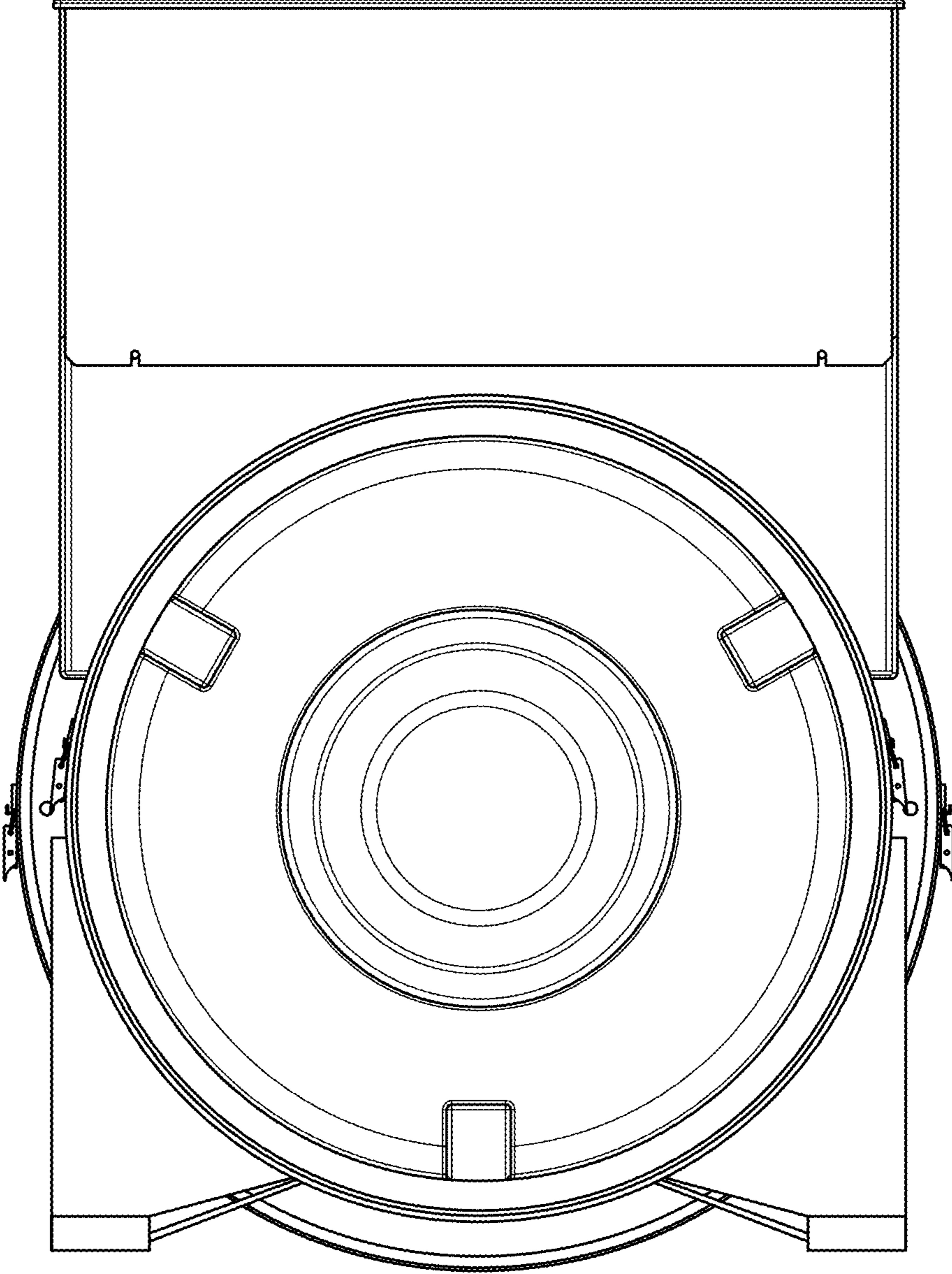
**FIG. 7**



**FIG. 8**

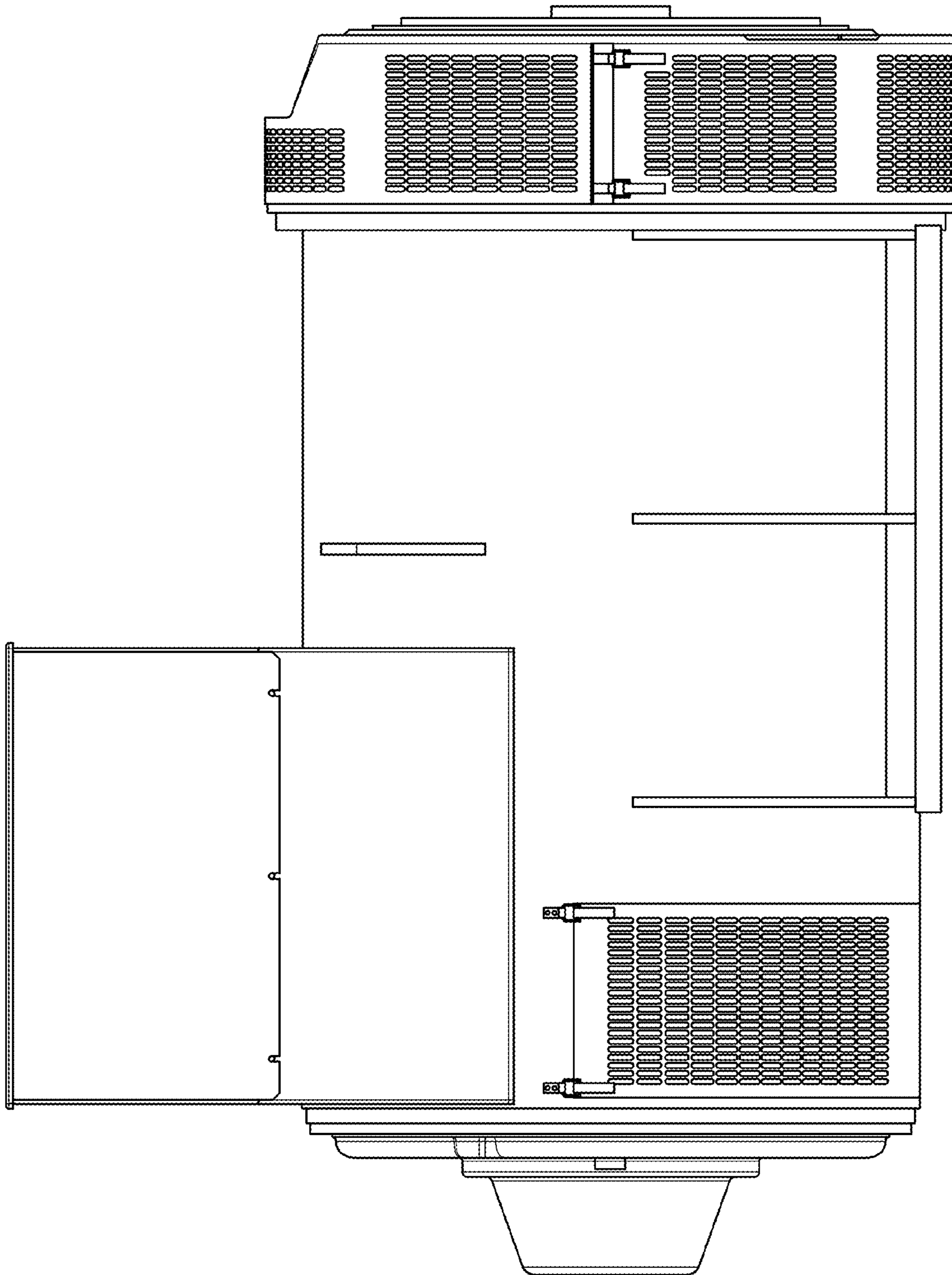


**FIG. 9**



**FIG. 10**





**FIG. 11**

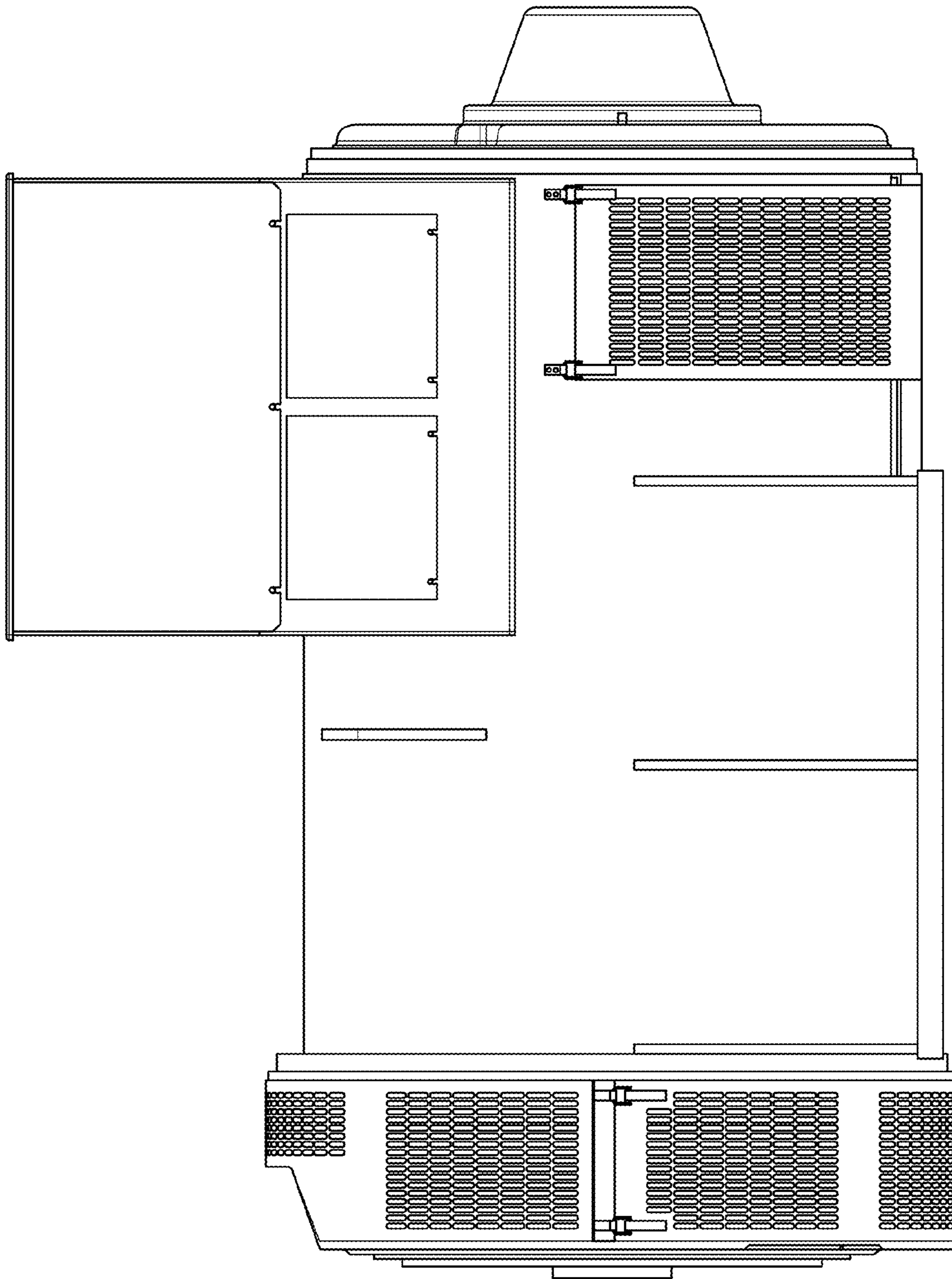
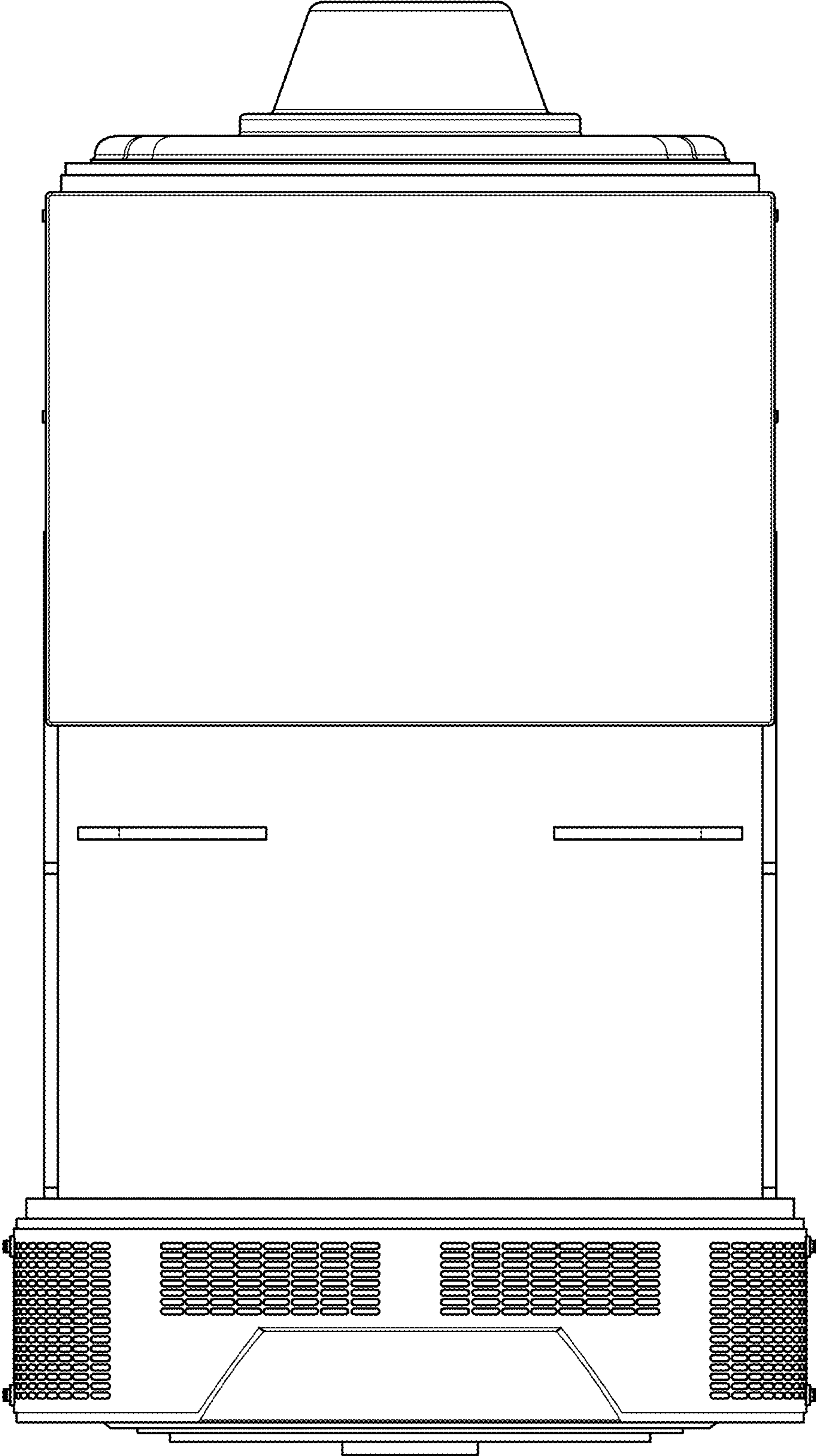
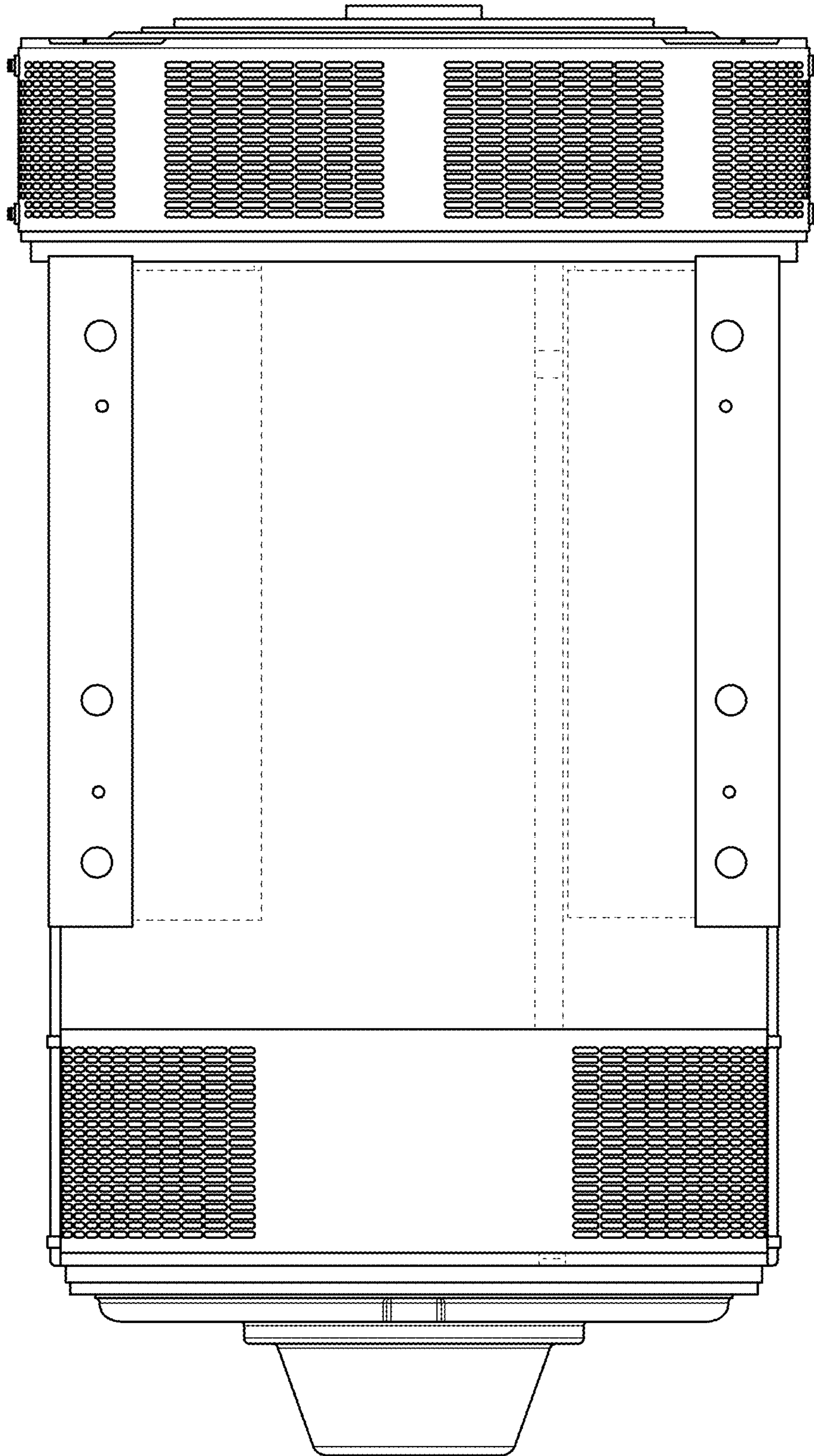


FIG. 12



**FIG. 13**



**FIG. 14**