



US00D924798S

(12) **United States Design Patent** (10) **Patent No.:** **US D924,798 S**
Ando (45) **Date of Patent:** **** Jul. 13, 2021**

(54) **BATTERY CHARGER FOR EARPHONES**

(74) *Attorney, Agent, or Firm* — Amin, Turocy & Watson, LLP

(71) Applicant: **JVCKENWOOD Corporation**,
Yokohama (JP)

(72) Inventor: **Yui Ando**, Yokohama (JP)

(57) **CLAIM**

The ornamental design for a battery charger for earphones, as shown and described.

(73) Assignee: **JVCKENWOOD Corporation**,
Yokohama (JP)

(**) Term: **15 Years**

DESCRIPTION

(21) Appl. No.: **29/706,253**

FIG. 1 is a right, front, top perspective view of a battery charger for earphones, showing my new design closed, in a first configuration;

(22) Filed: **Sep. 19, 2019**

FIG. 2 is a left, front, top perspective view thereof;

(30) **Foreign Application Priority Data**

FIG. 3 is a front elevation view thereof;

Jul. 16, 2019 (JP) 2019-015891

FIG. 4 is a rear elevation view thereof;

(51) **LOC (13) Cl.** **13-02**

FIG. 5 is a top plan view thereof;

(52) **U.S. Cl.**

FIG. 6 is a bottom plan view thereof;

USPC **D13/108; D3/294**

FIG. 7 is a left side elevation view thereof;

(58) **Field of Classification Search**

FIG. 8 is a right side elevation view thereof;

USPC D13/103, 107, 108, 118, 119, 184;
D3/201, 208, 218, 266, 273, 274, 294,
D3/301, 302; D14/223, 251, 432, 434

FIG. 9 is a right, front, top perspective view of the battery charger for earphones of FIG. 1, shown open, in a second configuration;

(Continued)

FIG. 10 is a left, front, top perspective view thereof;

(56) **References Cited**

FIG. 11 is a front elevation view thereof;

U.S. PATENT DOCUMENTS

FIG. 12 is a rear elevation view thereof;

D553,077 S * 10/2007 Kim D13/108
D672,554 S * 12/2012 Penttinen D3/273

FIG. 13 is a top plan view thereof;

(Continued)

FIG. 14 is a bottom plan view thereof;

OTHER PUBLICATIONS

FIG. 15 is a left side elevation view thereof;

“Phonak Charger Case”. Found online Dec. 8, 2020 at amazon.com. Reference dated Feb. 24, 2017. Retrieved from <https://www.amazon.com/Phonak-Charger-Case-RIC/dp/B01N4TI0KJ>. (Year: 2017).*

FIG. 16 is a right side elevation view thereof;

(Continued)

FIG. 17 is a cross-sectional right side elevation view of the battery charger for earphones of FIG. 1, taken along the line of 17-17, of FIG. 3;

Primary Examiner — Chaterine S Posthauer

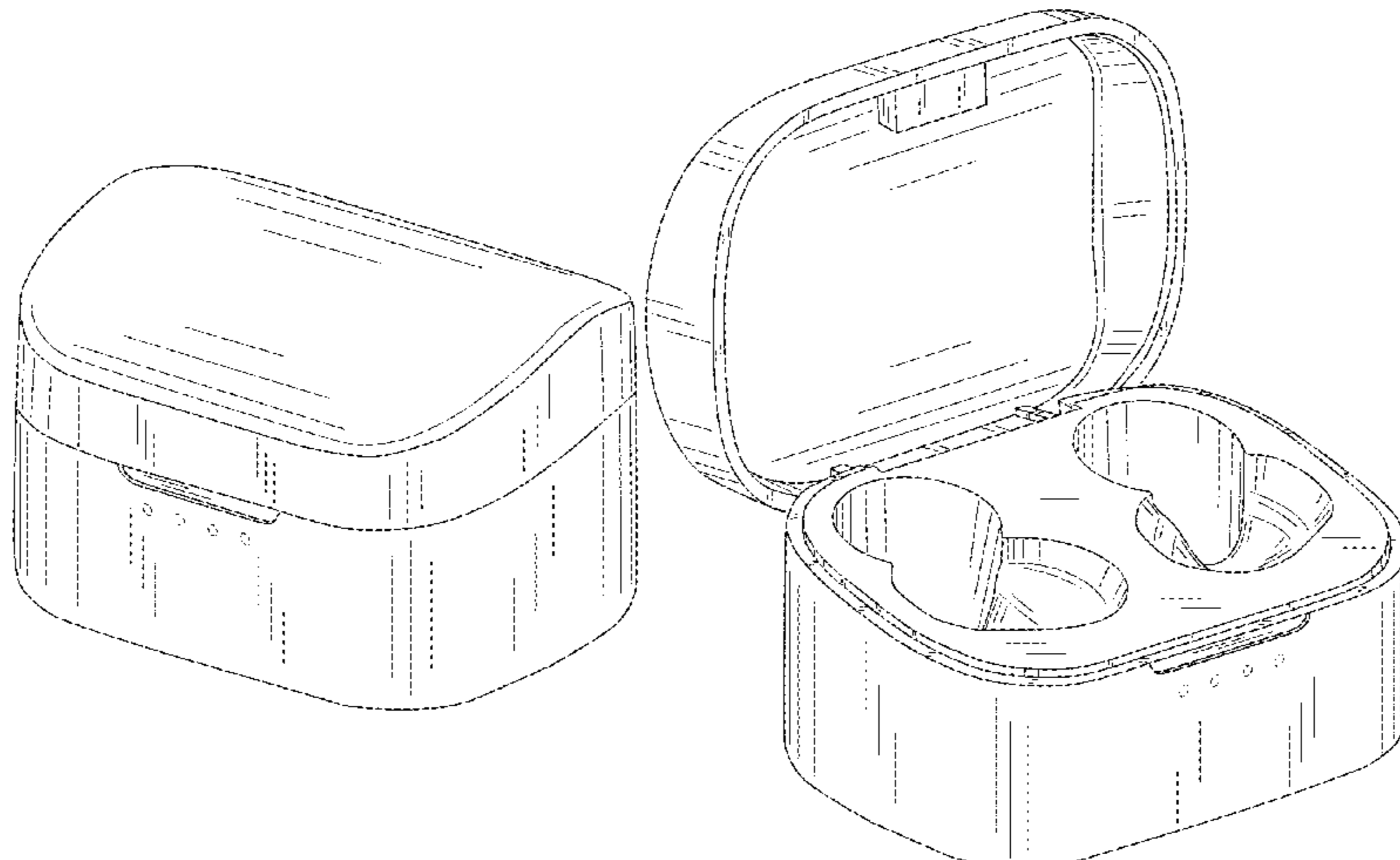
FIG. 18 is a cross-sectional right side elevation view of the battery charger for earphones of FIG. 1, taken along the line of 18-18, of FIG. 3;

Assistant Examiner — Amanda Christensen

FIG. 19 is a cross-sectional front elevation view of the battery charger for earphones of FIG. 1, taken along the line of 19-19, of FIG. 5; and,

FIG. 20 is a cross-sectional front elevation view of the battery charger for earphones of FIG. 1, taken along the line of 20-20, of FIG. 5.

(Continued)



The broken lines depict portions of the battery charger for earphones that form no part of the claimed design.

1 Claim, 14 Drawing Sheets

(58) Field of Classification Search

CPC .. H01M 2/02; G06F 1/1628; A45C 2011/001;
B65D 43/16

See application file for complete search history.

(56)

References Cited

U.S. PATENT DOCUMENTS

D845,894 S	*	4/2019	Clark	D13/108
D853,116 S	*	7/2019	Bergman	D3/294
D864,110 S	*	10/2019	Yoshimura	D13/108
D864,568 S	*	10/2019	Roberts	D3/294
D870,451 S	*	12/2019	Birger	D3/201

D886,455 S	*	6/2020	Williamson	D3/294
10,701,472 B1	*	6/2020	Xu	H02J 7/0044
D894,123 S	*	8/2020	Xiong	D13/108
D895,285 S	*	9/2020	Hutchison	D3/294
2017/0195760 A1	*	7/2017	Tang	B65D 85/671
2019/0069066 A1	*	2/2019	Song	H04R 1/1041

OTHER PUBLICATIONS

“TaoTronics Bluetooth Headphones”. Found online Dec. 4, 2020 at amazon.com. Reference dated Jan. 18, 2017. Retrieved from https://www.amazon.com/TaoTronics-Bluetooth-Headphones-Waterproof-Earphones/dp/B07H2JNFYZ/ref=sr_1_3 (Year: 2017).*

“SoundPEATS True Wireless Earbuds”. Found online Dec. 4, 2020 at amazon.com. Reference dated Sep. 20, 2018. Retrieved from https://www.amazon.com/SoundPEATS-Bluetooth-Headphones-Earphones-Microphone/dp/B07MX1XL1V/ref=psdc_172541_t1_B07HK8F3PM. (Year: 2018).*

* cited by examiner

Fig. 1

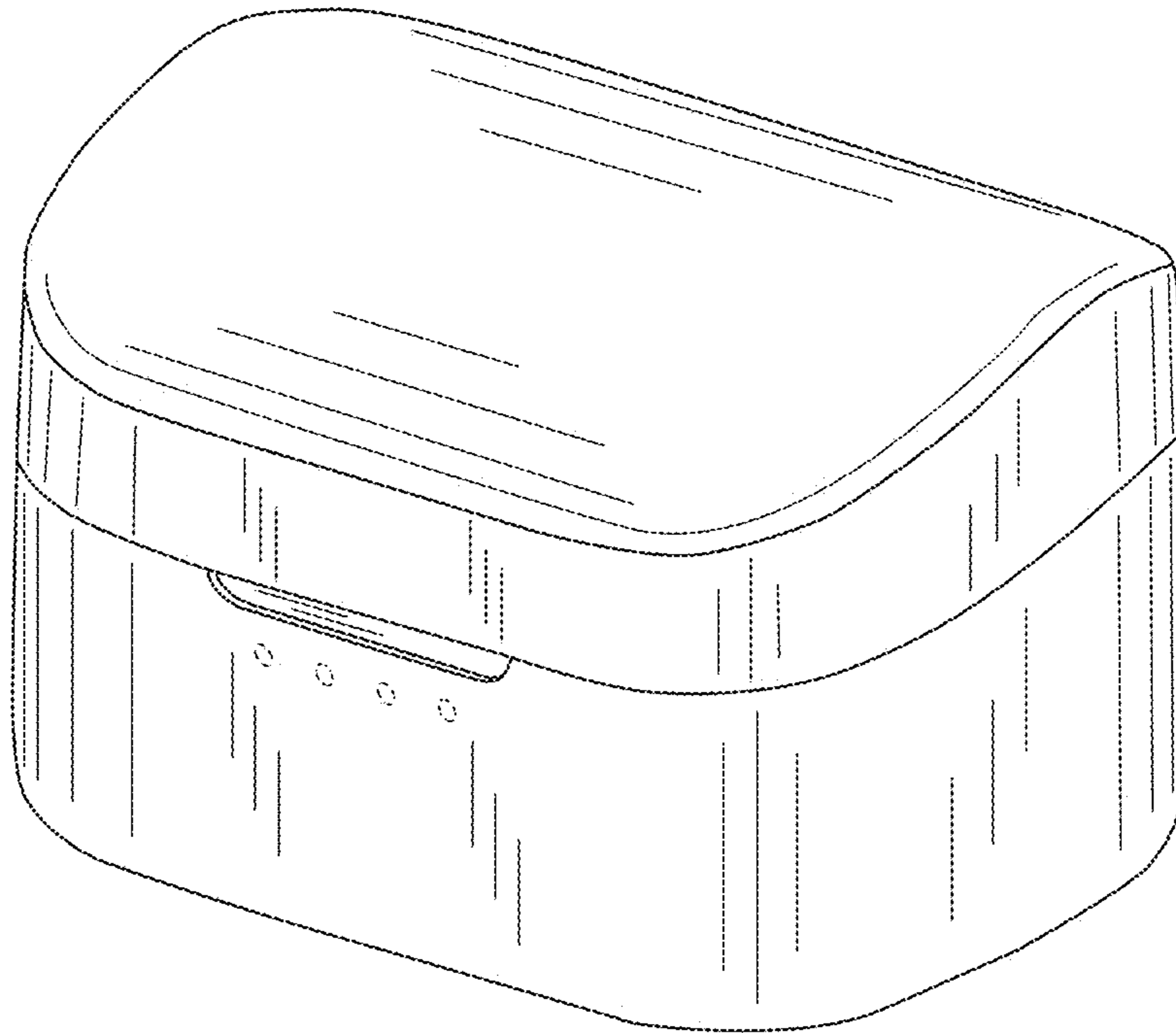


Fig. 2

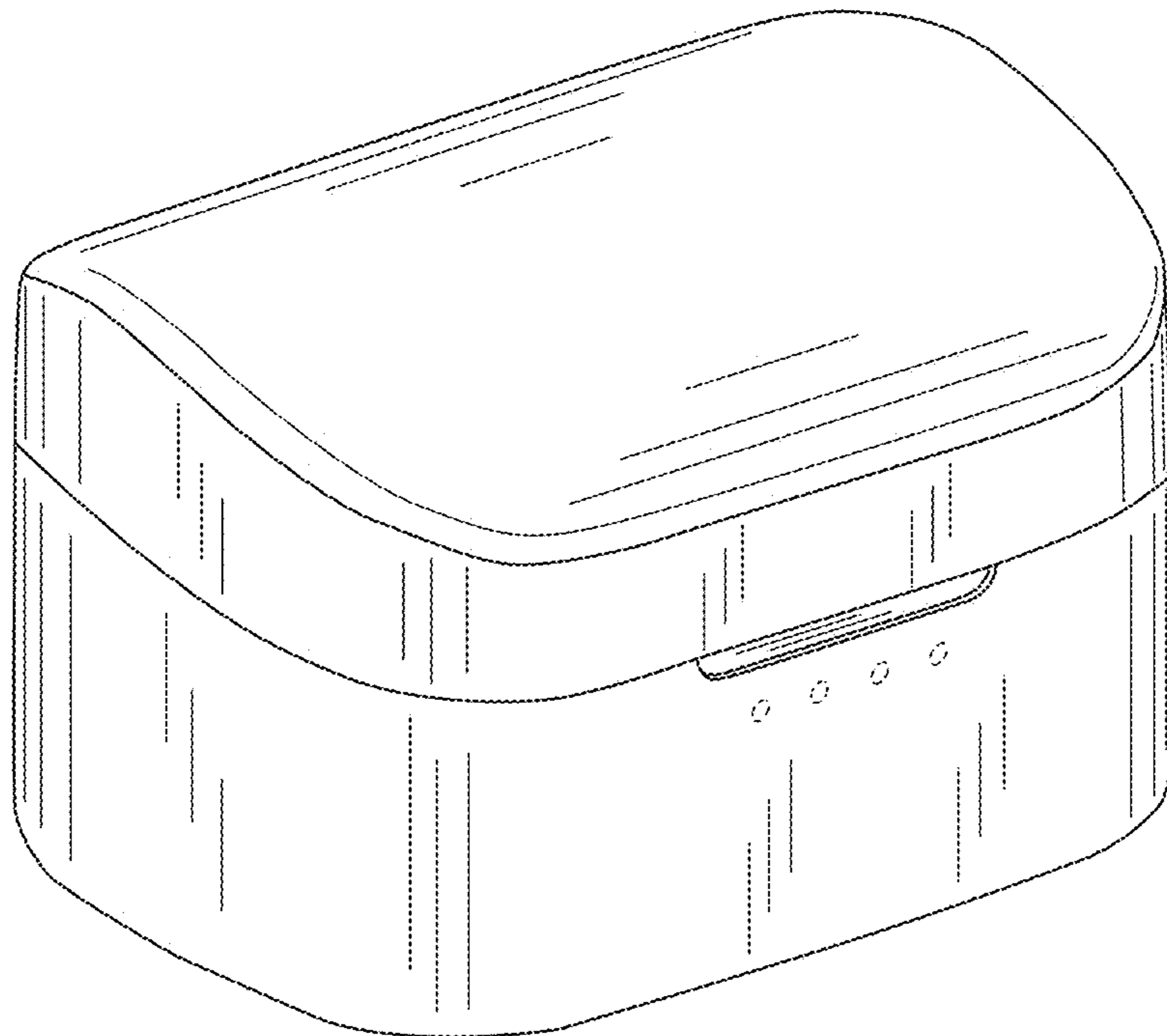


Fig.3

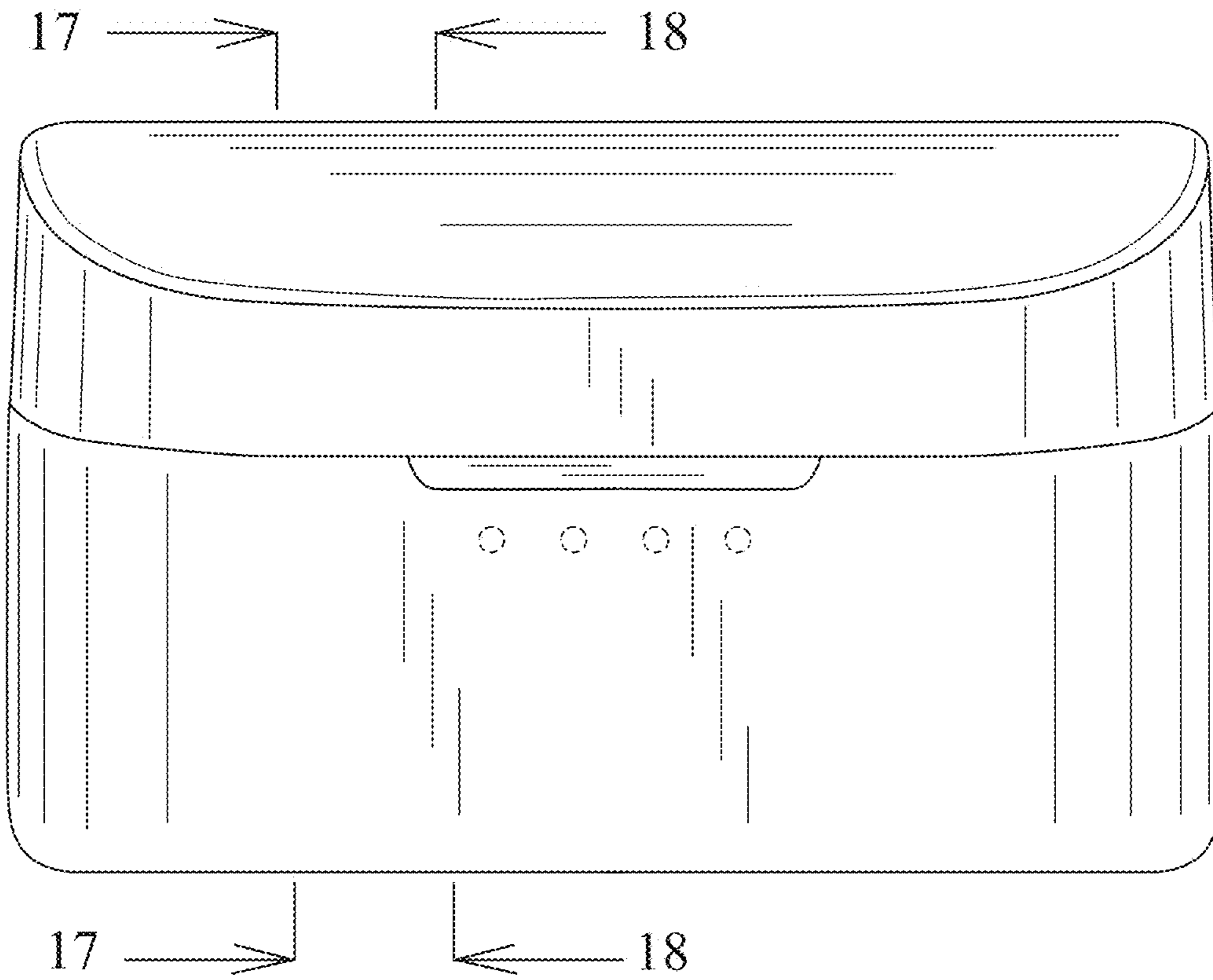


Fig.4

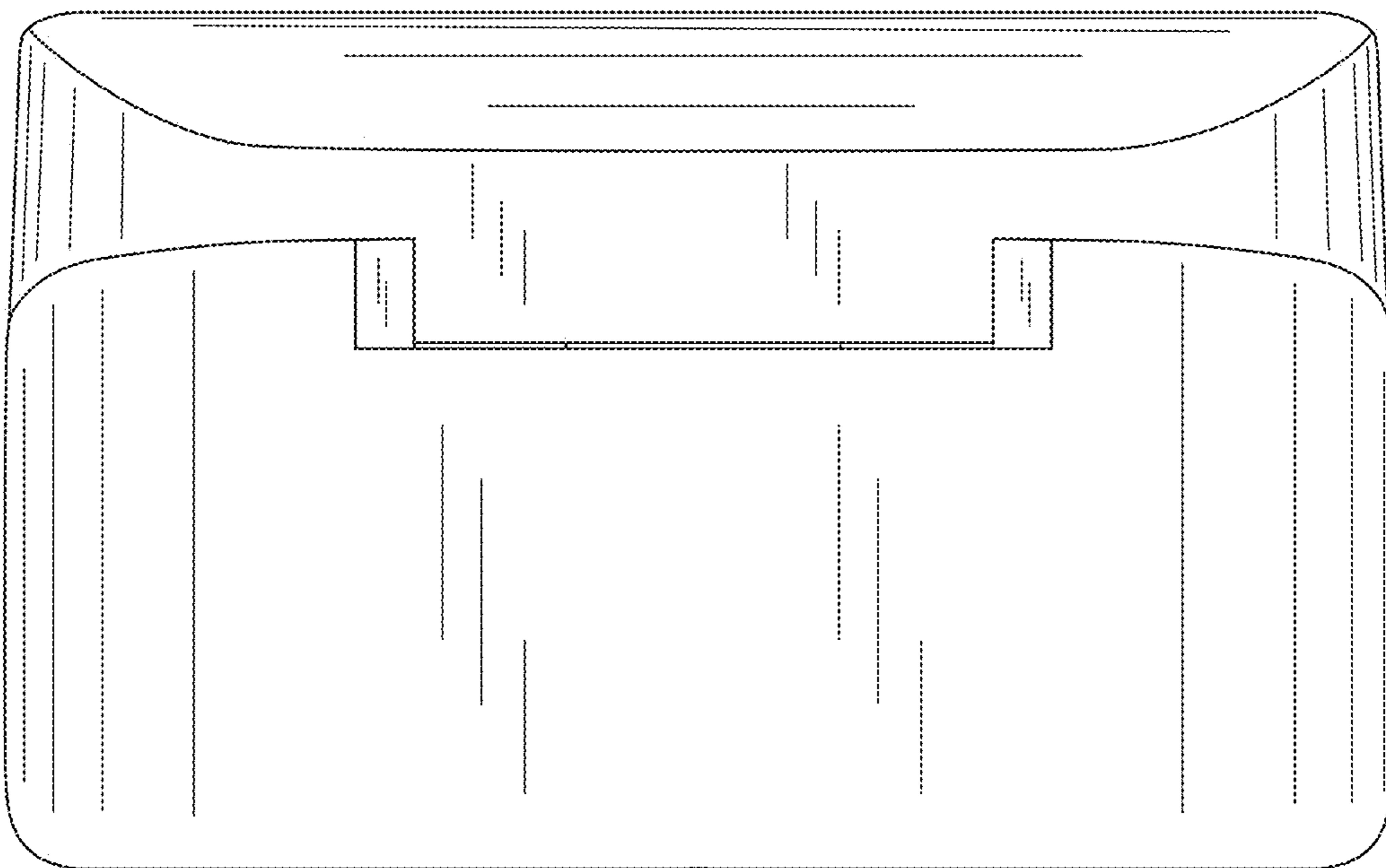


Fig.5

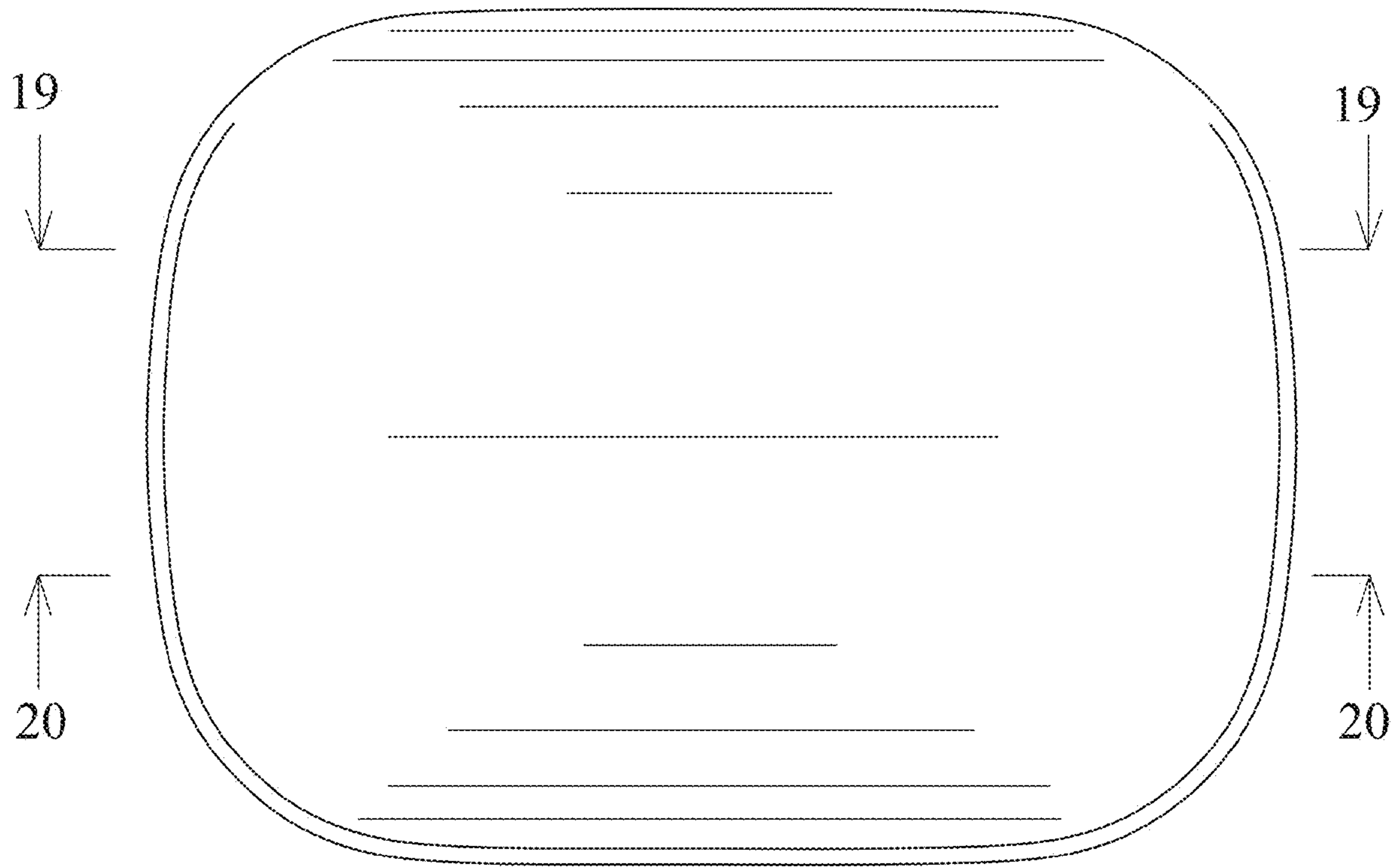


Fig.6

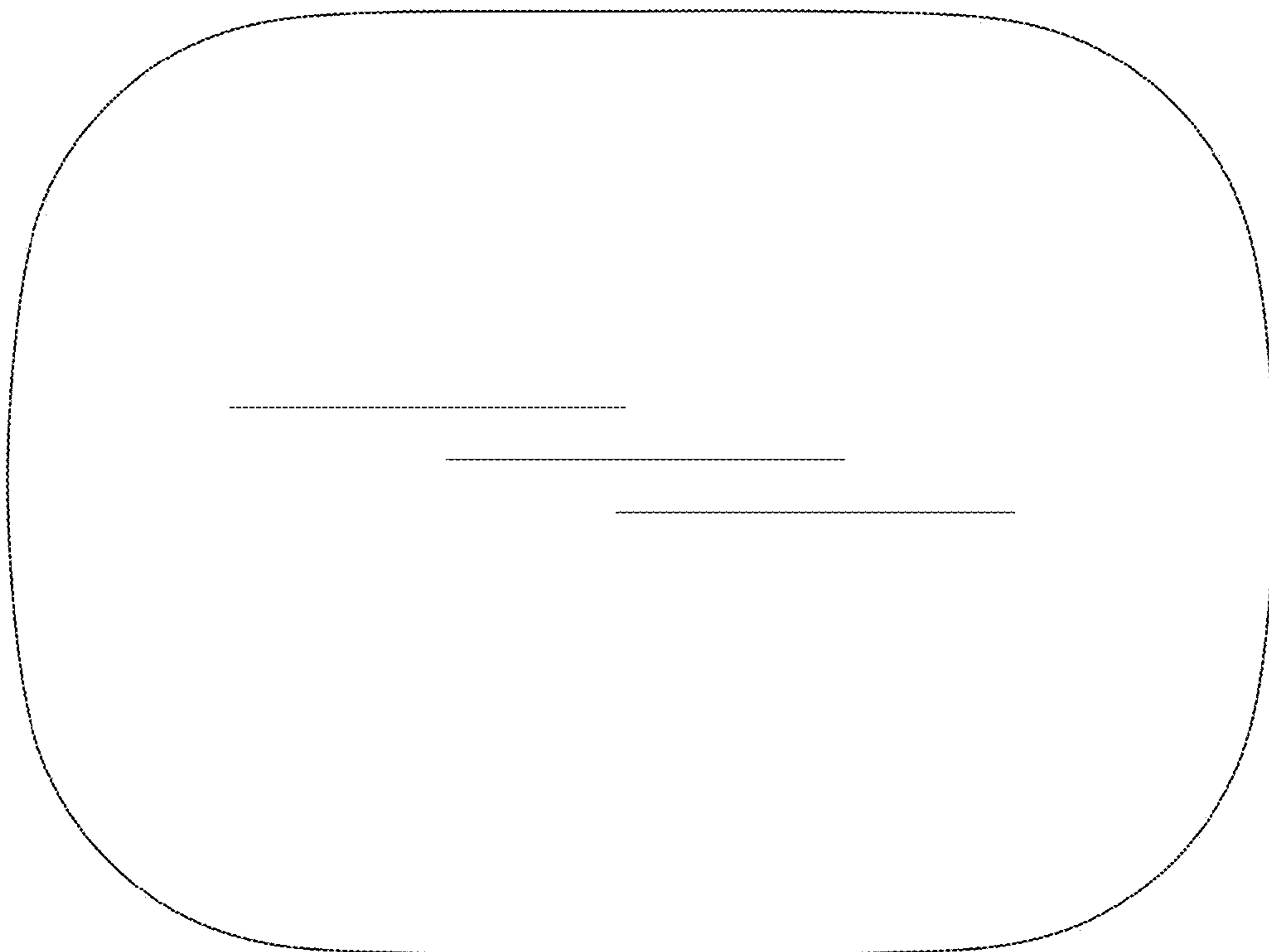


Fig.7

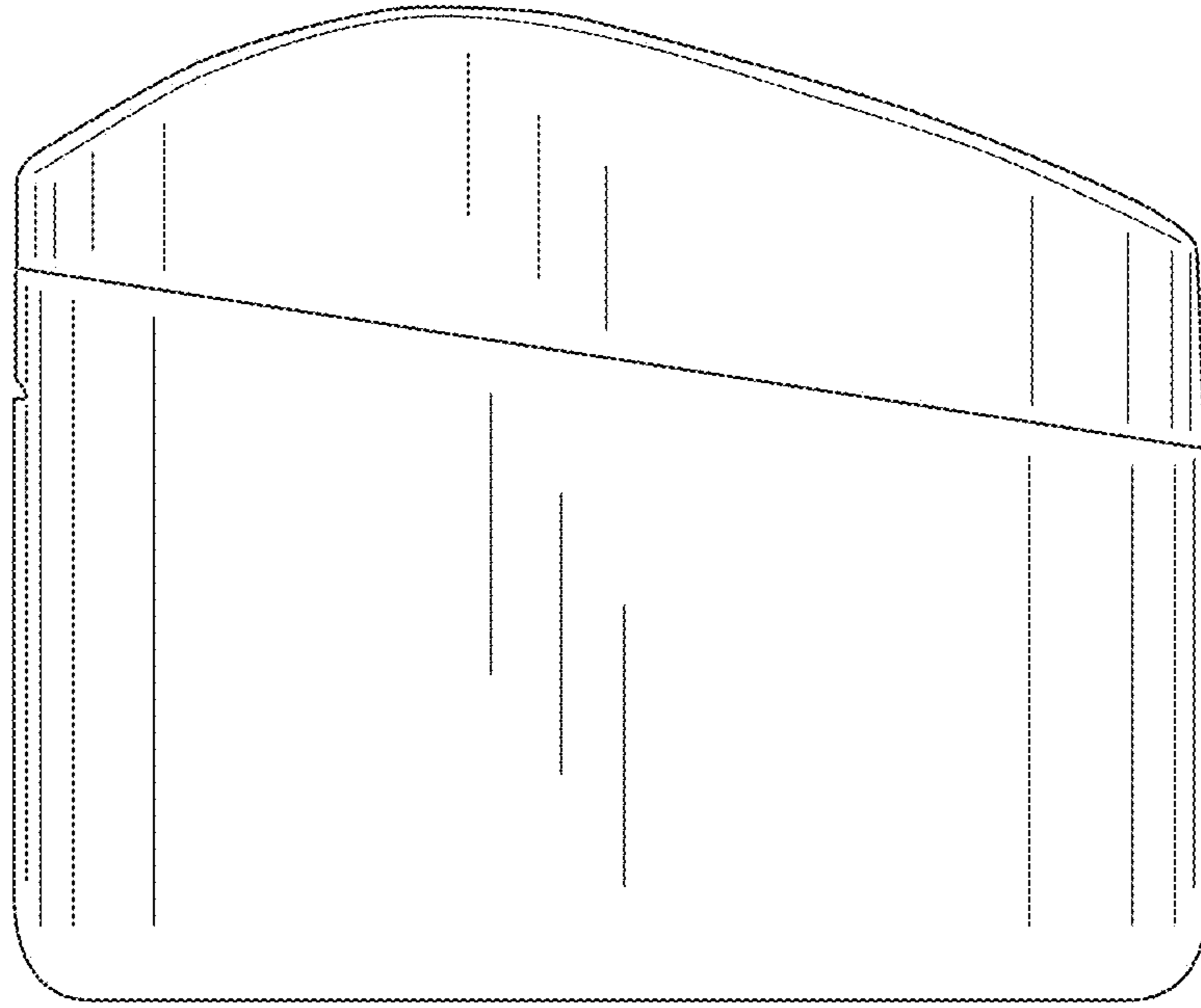


Fig.8

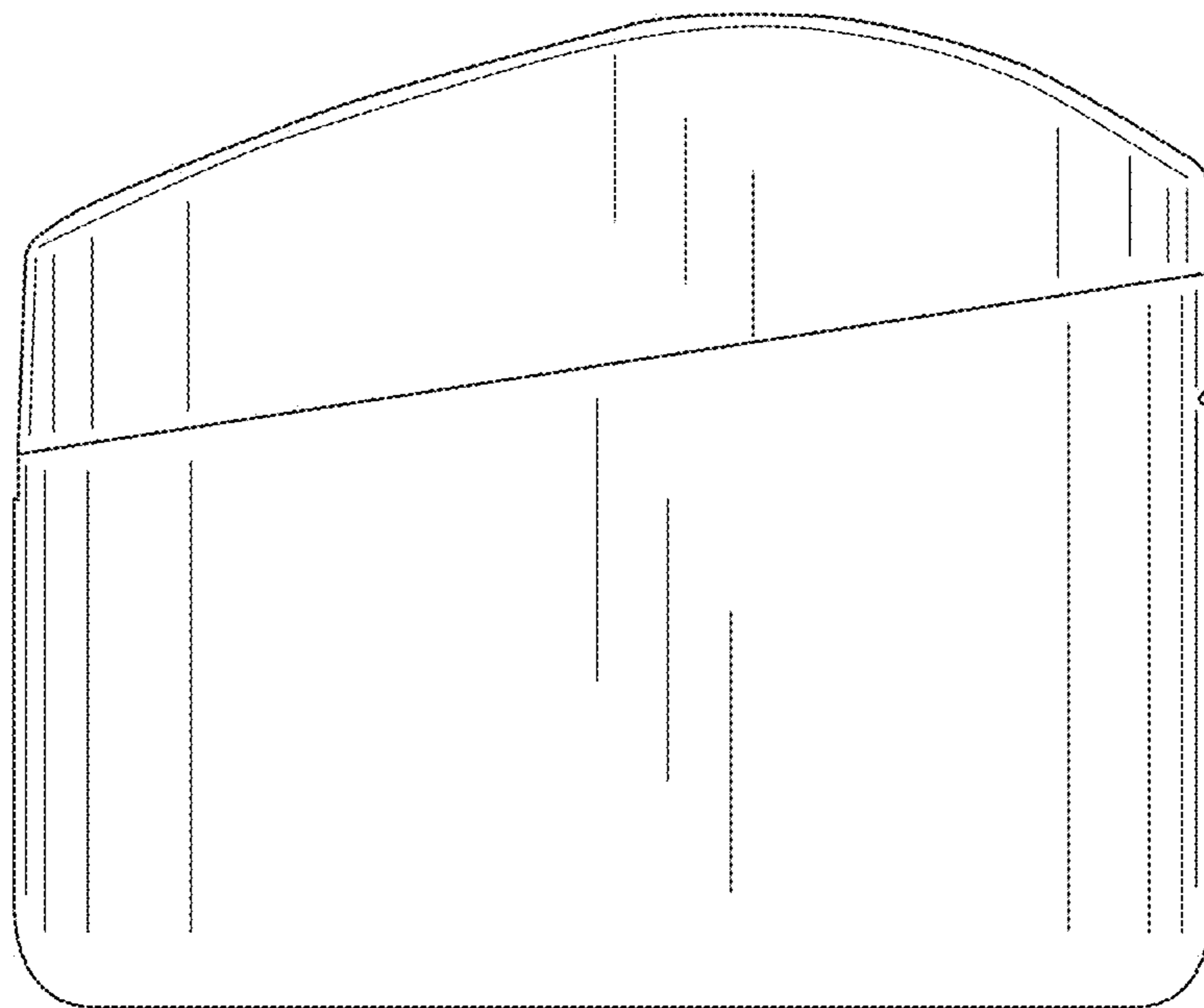


Fig.9

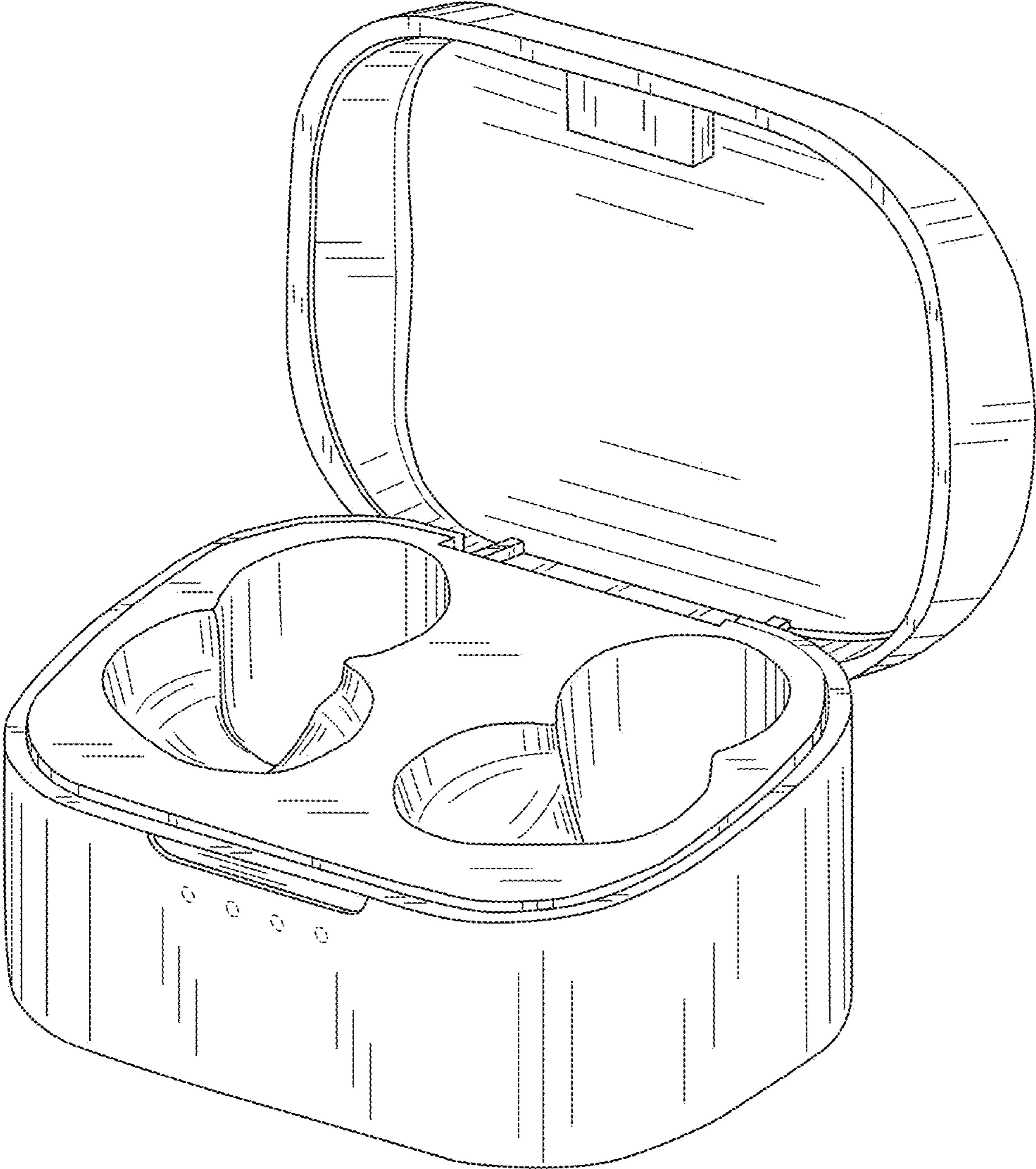


Fig.10

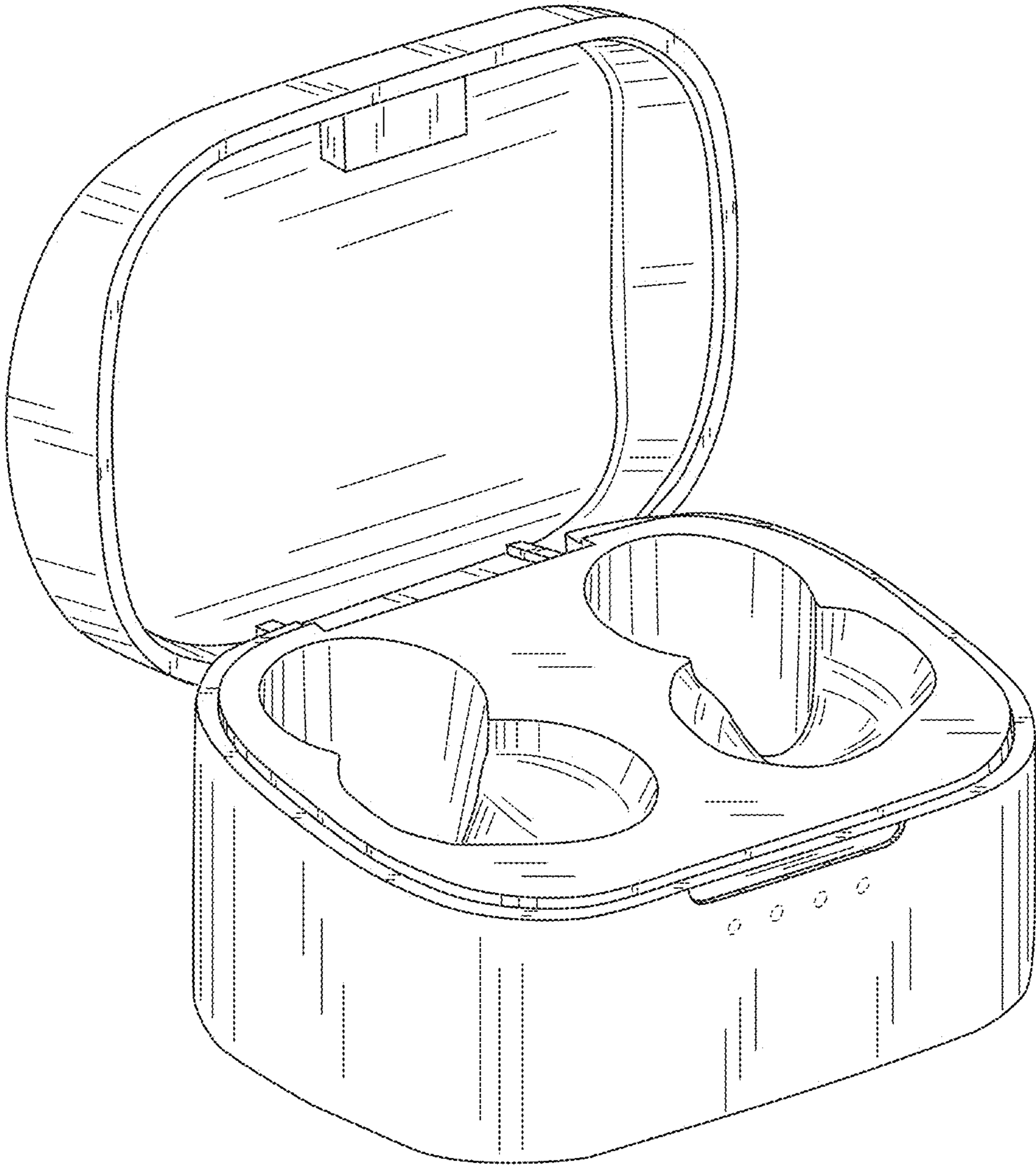


Fig. 11

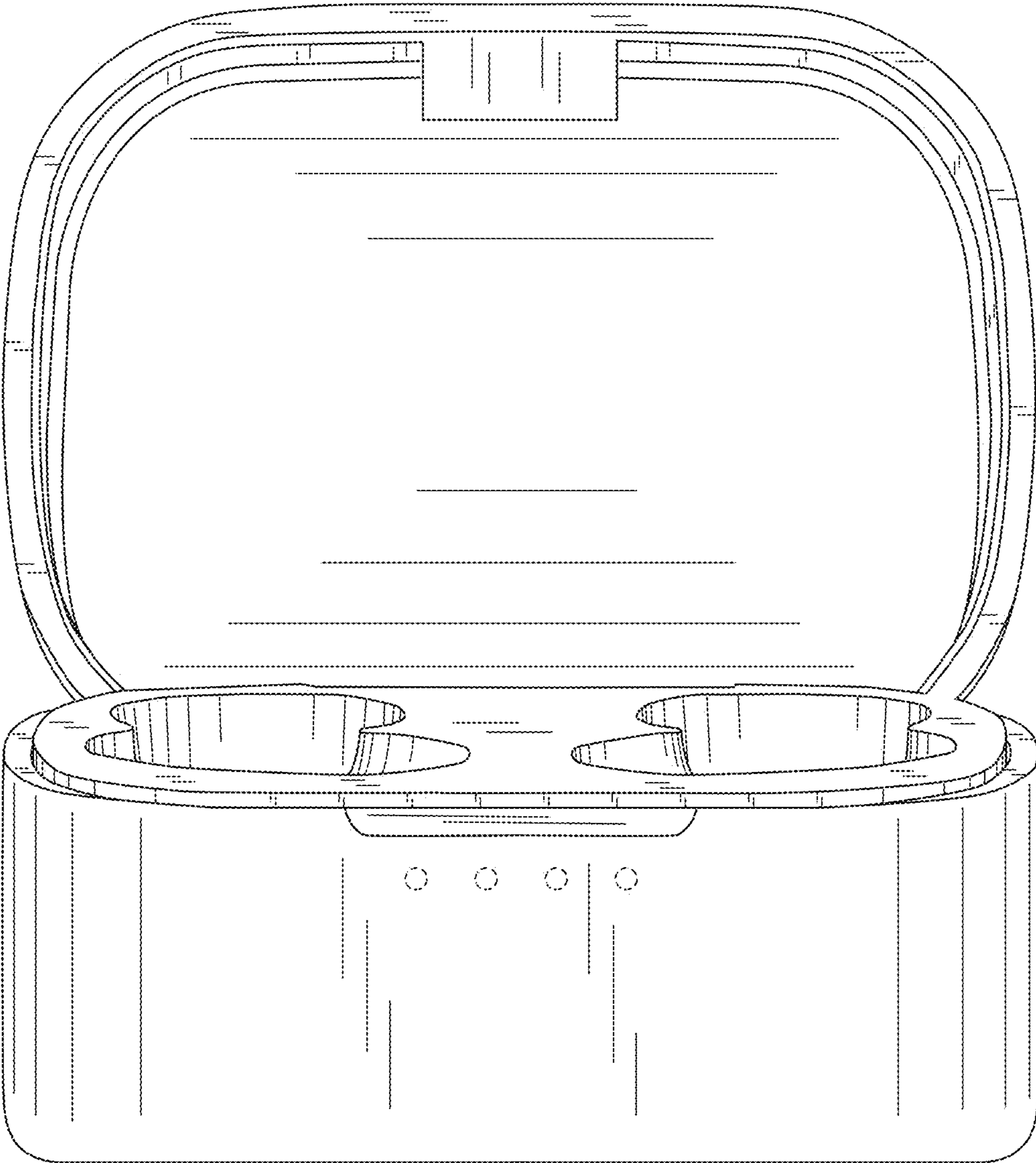


Fig.12

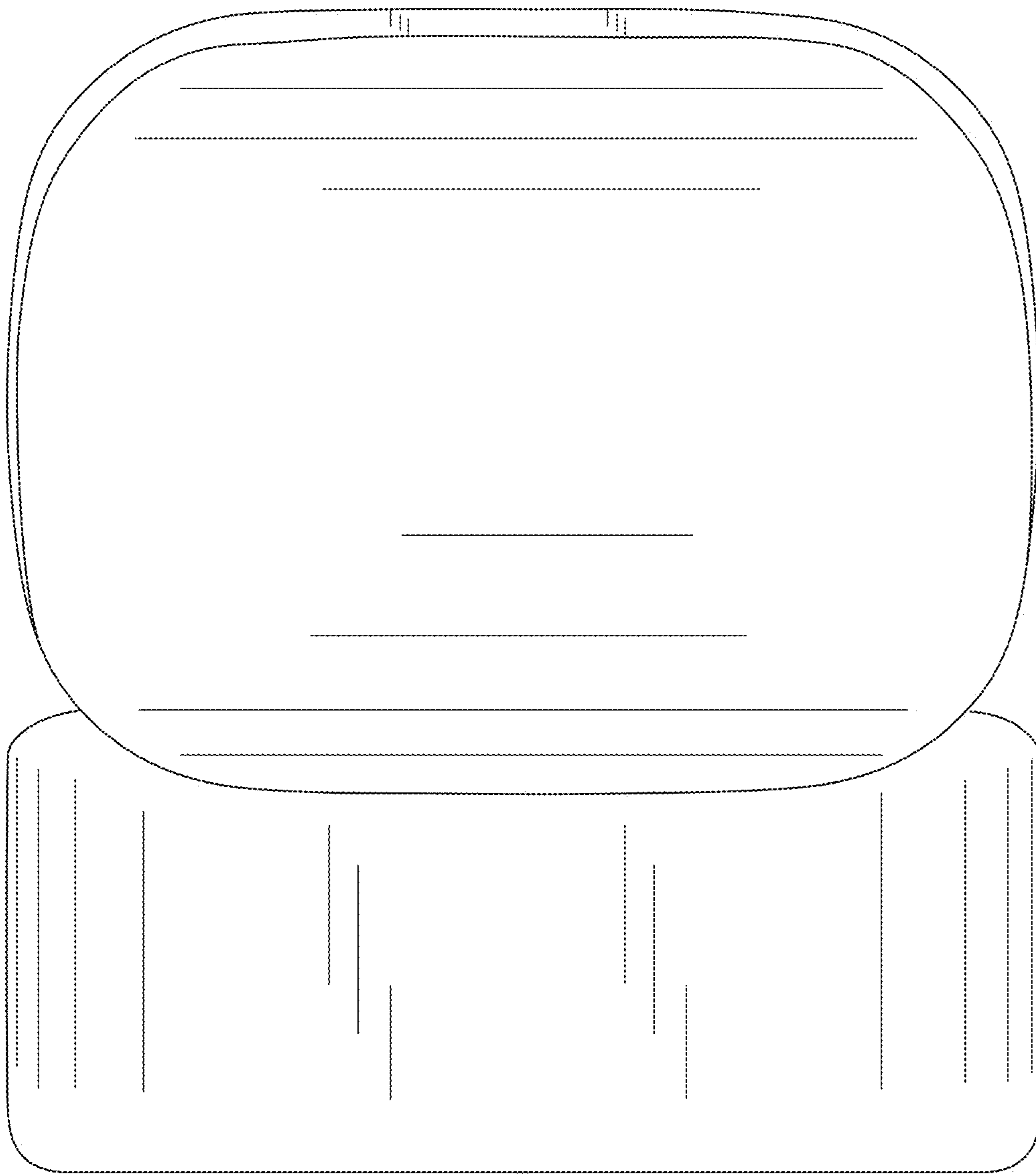


Fig.13

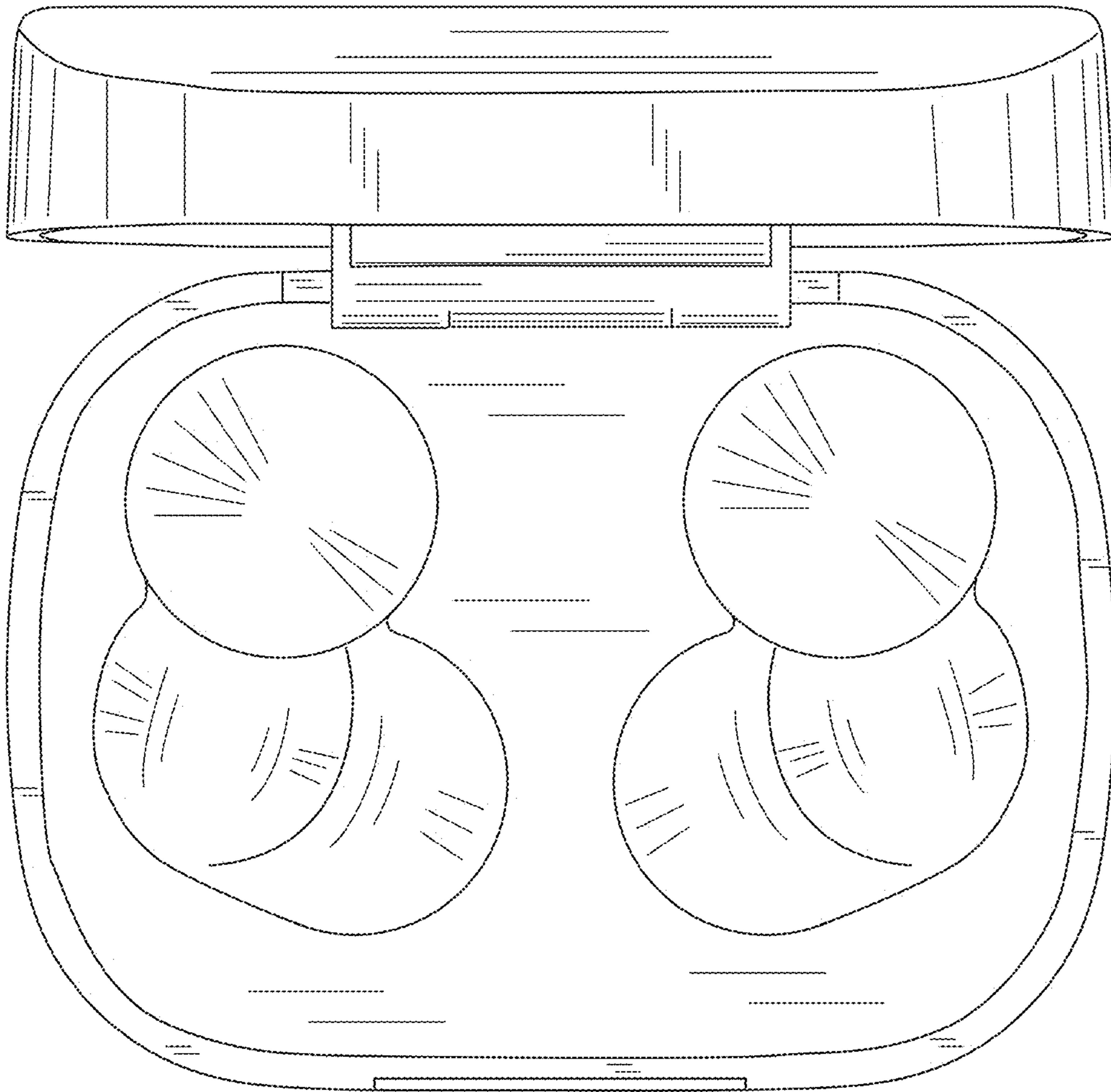


Fig.14

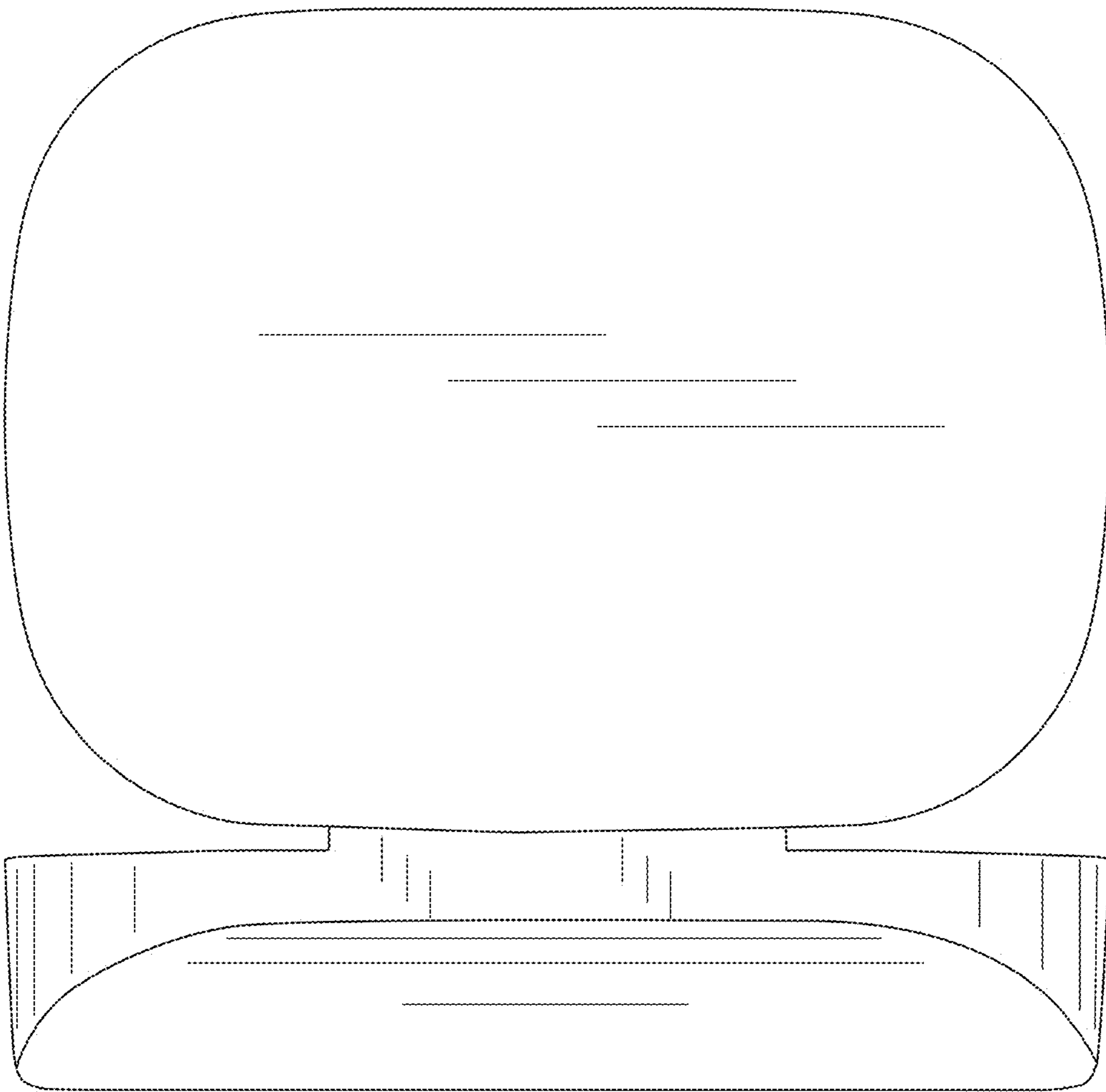


Fig.15

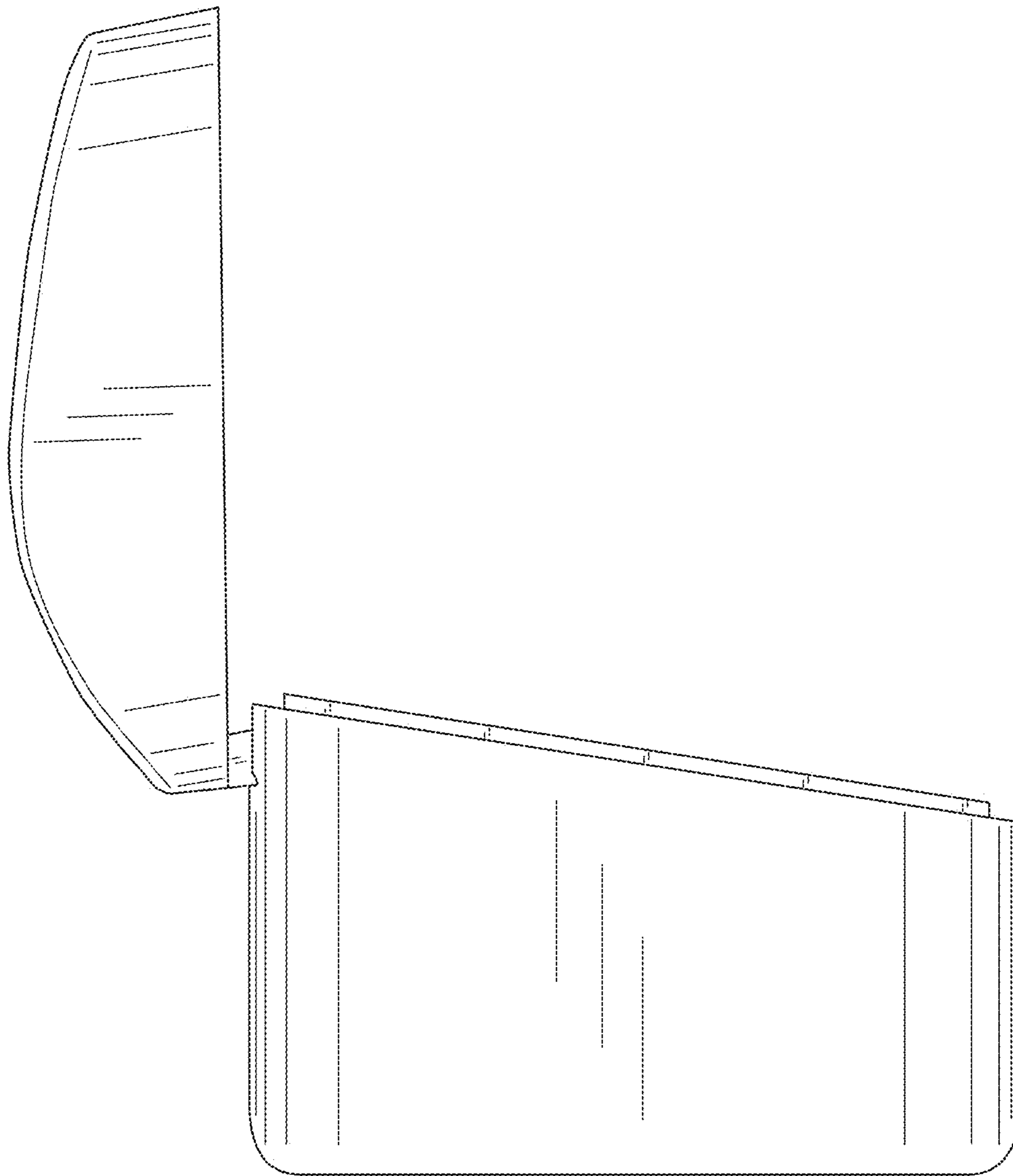


Fig.16

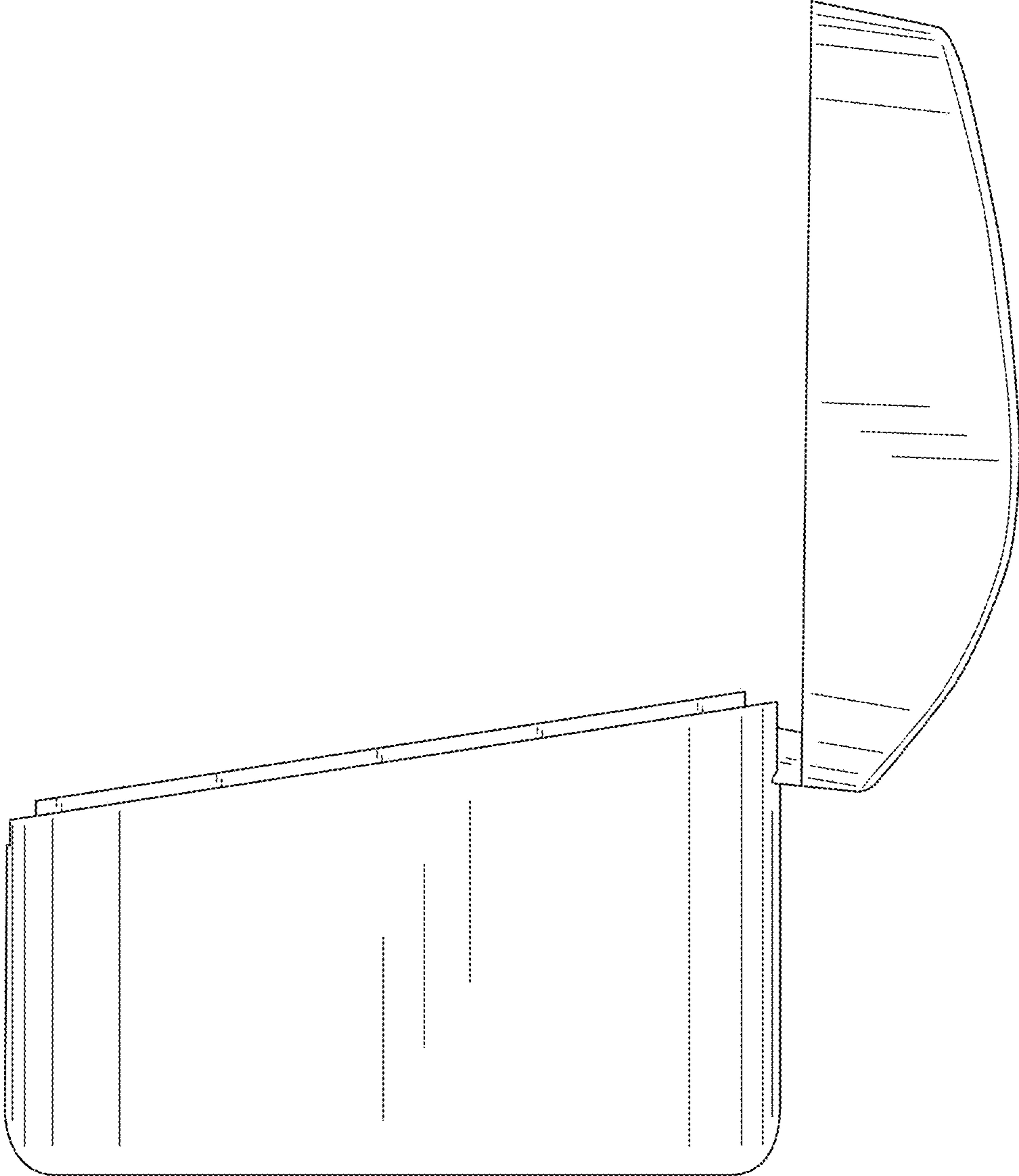


Fig.17

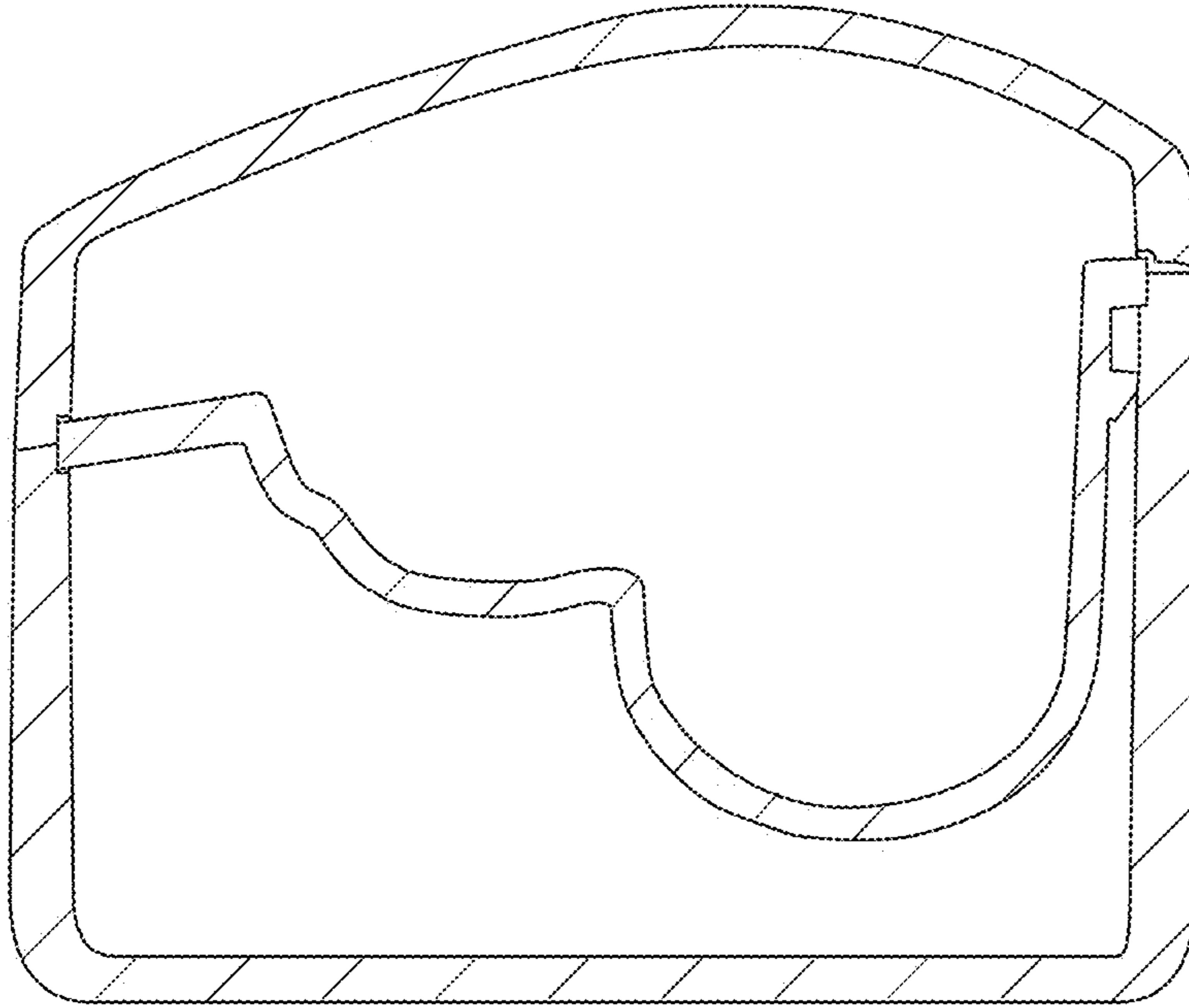


Fig.18

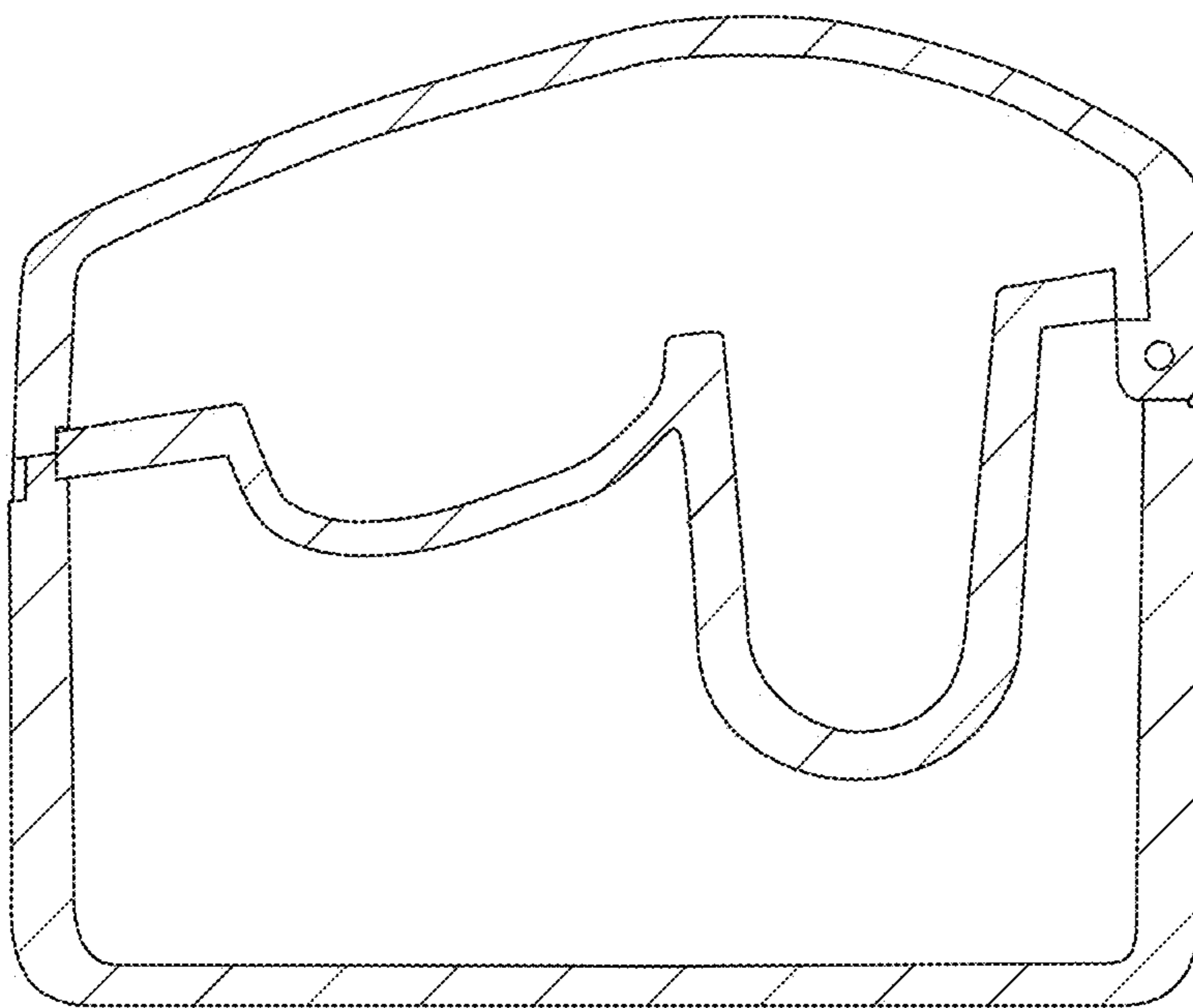


Fig.19

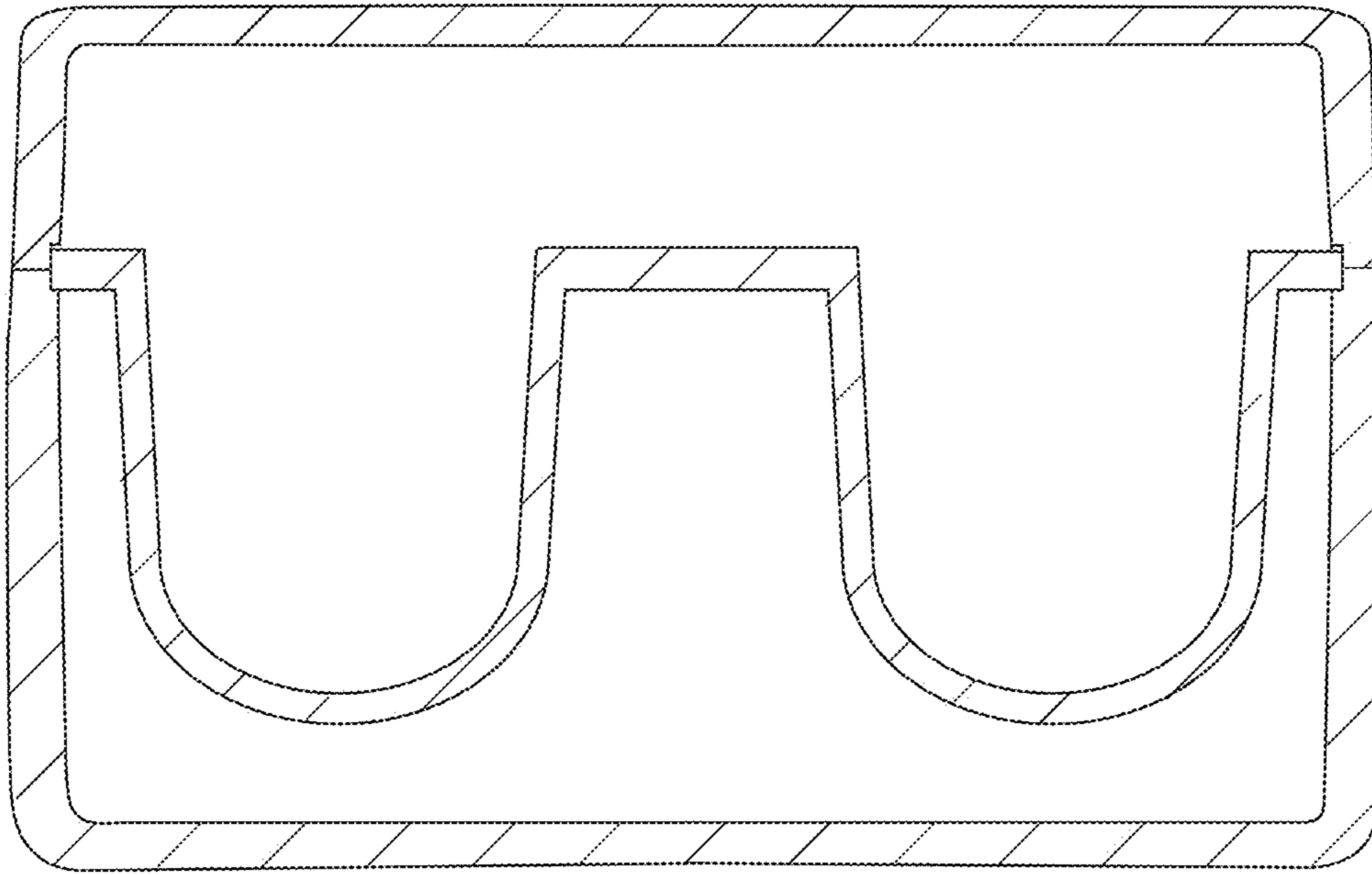


Fig.20

