



US00D924794S

(12) **United States Design Patent**
Kuang et al.

(10) **Patent No.:** **US D924,794 S**

(45) **Date of Patent:** **** Jul. 13, 2021**

(54) **BATTERY**

(71) Applicant: **Globe (Jiangsu) Co., Ltd.**, Jiangsu (CN)

(72) Inventors: **Jie Kuang**, Jiangsu (CN); **Song Zhang**, Jiangsu (CN); **Thomas Arnell**, Huskvarna (SE); **Jens Näslund**, Spaanga (SE); **Jianlong Chen**, Jiangsu (CN)

(73) Assignee: **Globe (Jiangsu) Co., Ltd.**, Jiangsu (CN)

(**) Term: **15 Years**

(21) Appl. No.: **29/728,067**

(22) Filed: **Mar. 16, 2020**

(30) **Foreign Application Priority Data**

Sep. 17, 2019 (CN) 201930509182.9

(51) **LOC (13) Cl.** **13-02**

(52) **U.S. Cl.**
USPC **D13/103**

(58) **Field of Classification Search**
USPC D13/102–106, 110, 118–119, 184
CPC Y02E 60/10; H01M 6/00; H01M 6/14; H01M 6/05; H01M 6/10; H01M 10/52
See application file for complete search history.

(56) **References Cited**

U.S. PATENT DOCUMENTS

D597,932 S * 8/2009 Aglassinger D13/103
D640,196 S * 6/2011 Shuang D13/119

D640,628 S * 6/2011 Lopano D13/103
D780,688 S * 3/2017 Elder D13/103
D797,661 S * 9/2017 Elder D13/103
D801,919 S * 11/2017 Elder D13/103
D819,562 S * 6/2018 Waldron D13/103
D826,149 S 8/2018 Cooper
D826,150 S 8/2018 Cayon
D883,918 S * 5/2020 Roberts D13/103
D884,601 S * 5/2020 Zhou D13/103
D887,969 S * 6/2020 Howell D13/103
D893,409 S * 8/2020 Stray D13/103
D893,413 S * 8/2020 Grulke D13/103
D894,120 S * 8/2020 Timm D13/103
D898,662 S * 10/2020 Waldron D13/103
D912,615 S * 3/2021 Li D13/103

* cited by examiner

Primary Examiner — Rosemary K Tarcza

(74) *Attorney, Agent, or Firm* — Rooney IP, LLC

(57) **CLAIM**

The ornamental design for a battery, as shown and described.

DESCRIPTION

FIG. 1 is front left perspective view of a battery according to the present invention.

FIG. 2 is a rear left perspective view thereof.

FIG. 3 is a bottom front perspective view thereof.

FIG. 4 is a front view thereof.

FIG. 5 is a rear view thereof.

FIG. 6 is a left side view thereof.

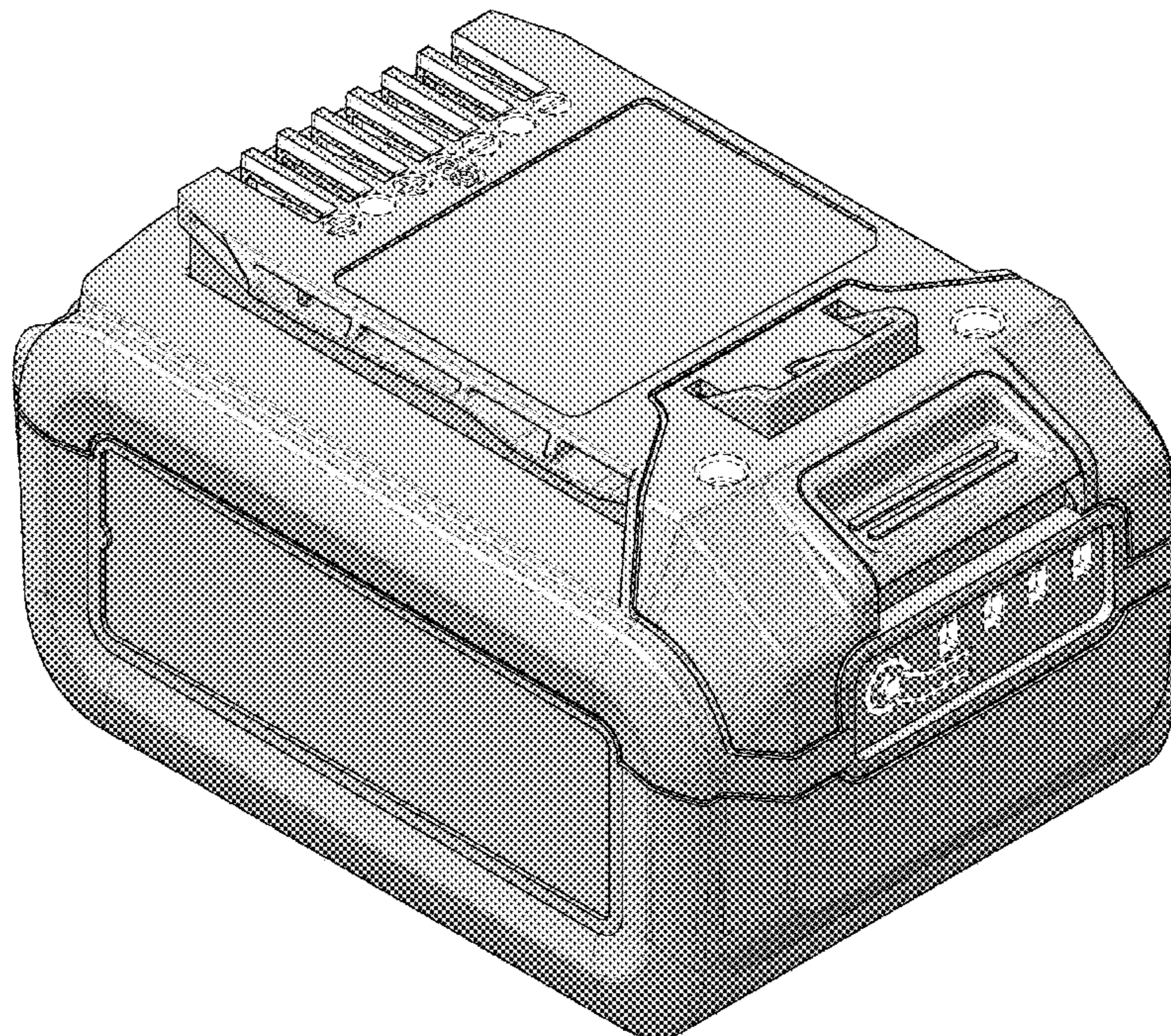
FIG. 7 is a right side view thereof.

FIG. 8 is a top view thereof; and,

FIG. 9 is a bottom view thereof.

The broken lines in the drawings illustrate portions of the battery but form no part of the claimed design.

1 Claim, 9 Drawing Sheets



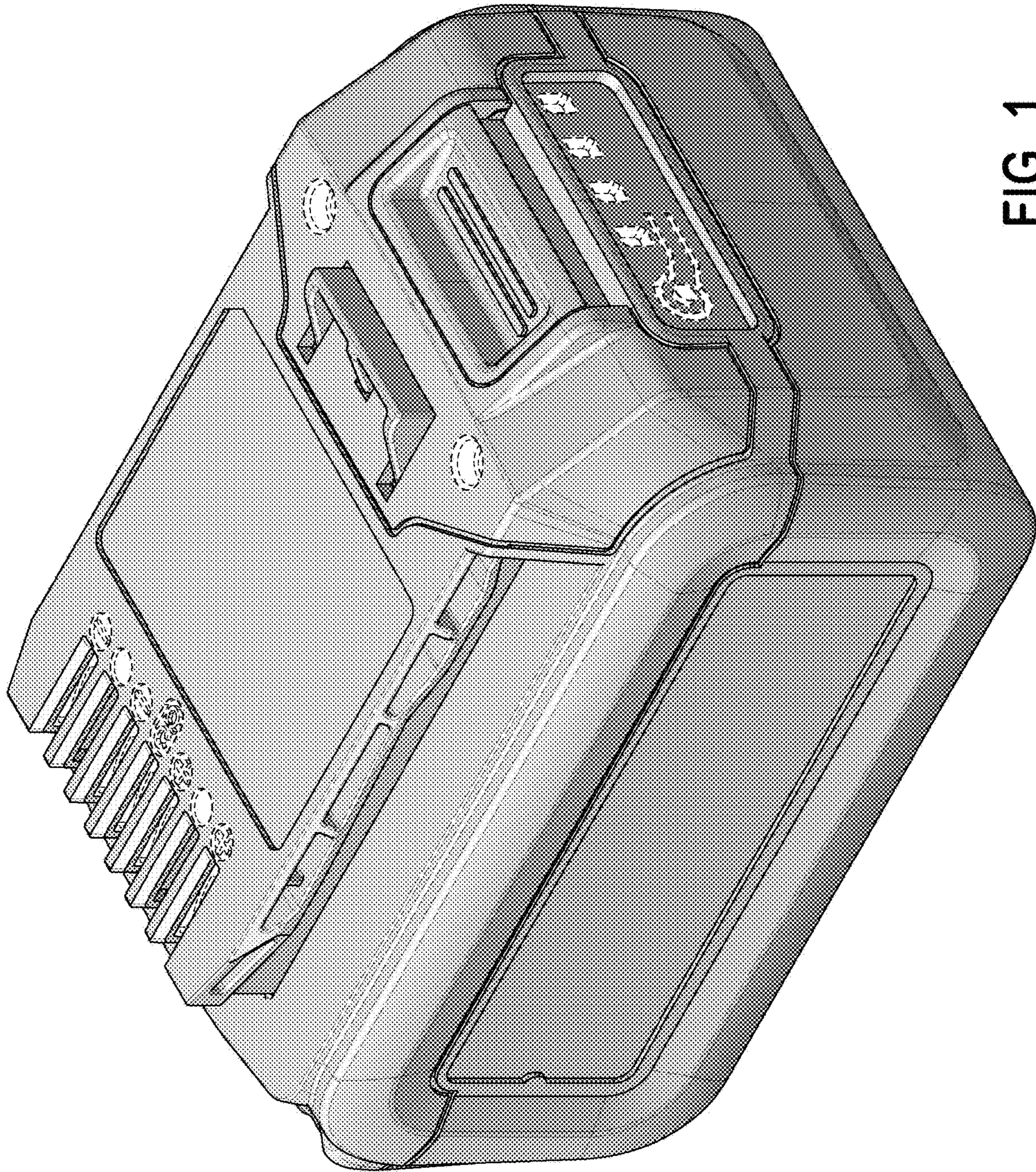


FIG. 1

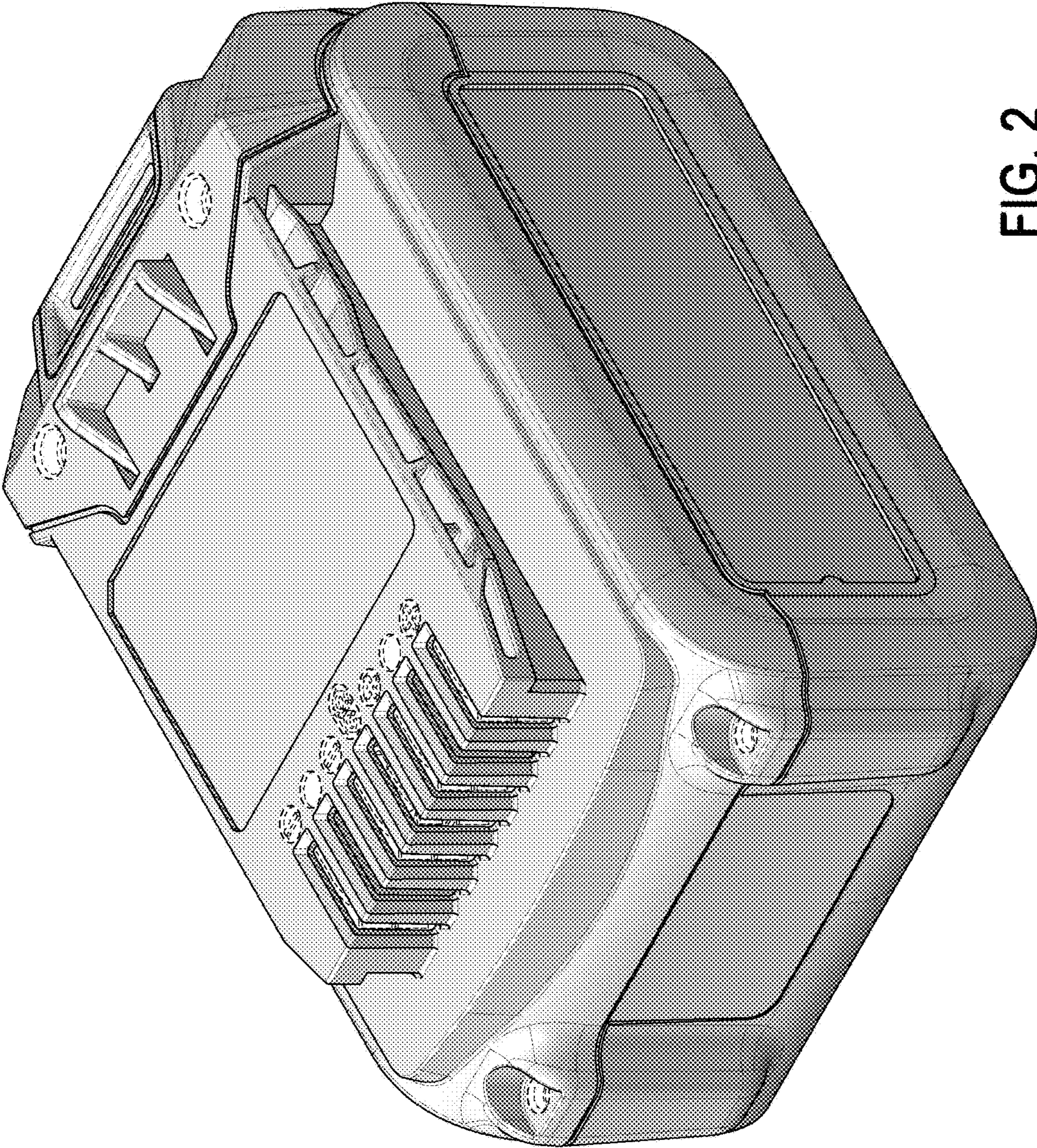


FIG. 2

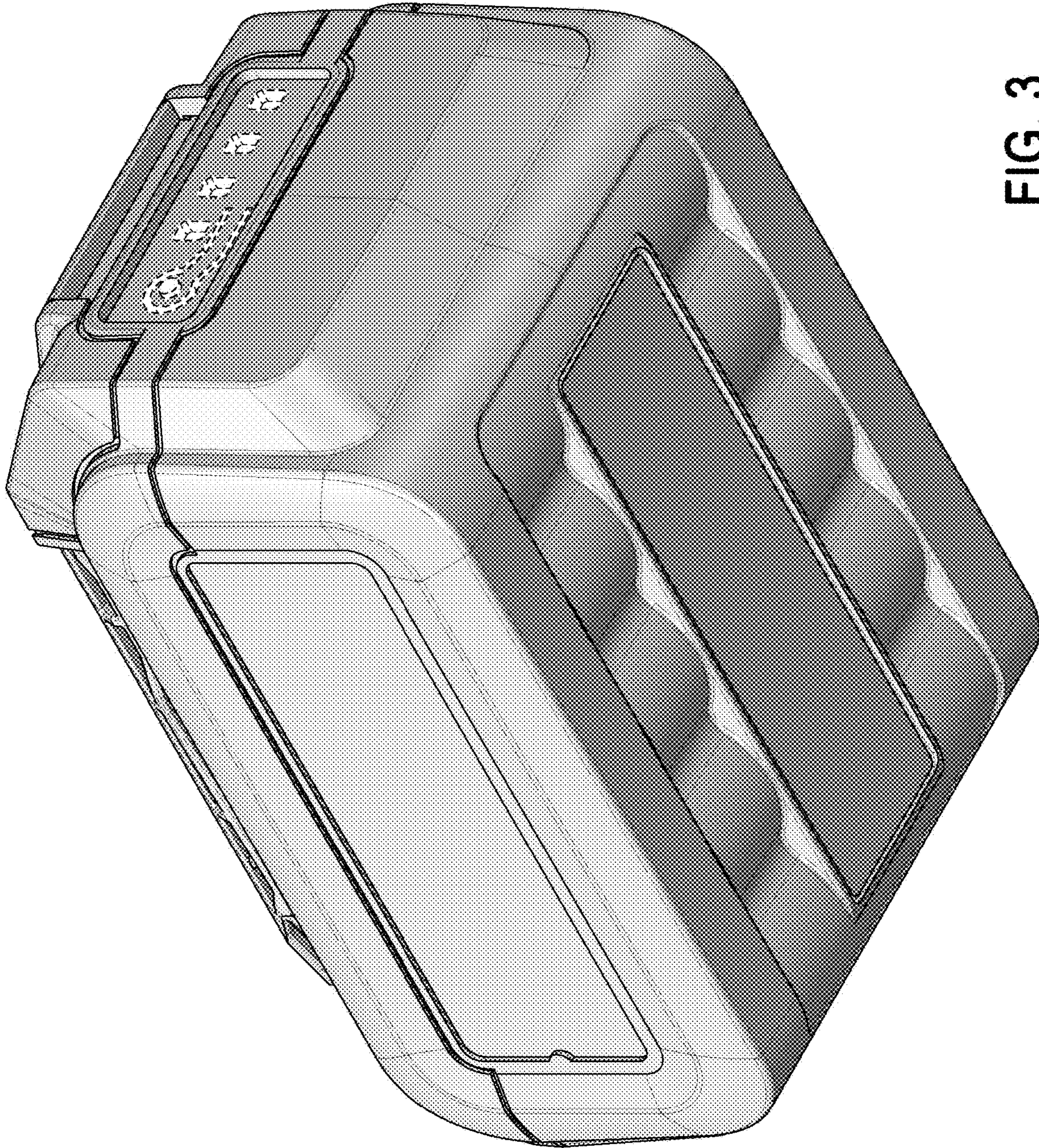


FIG. 3

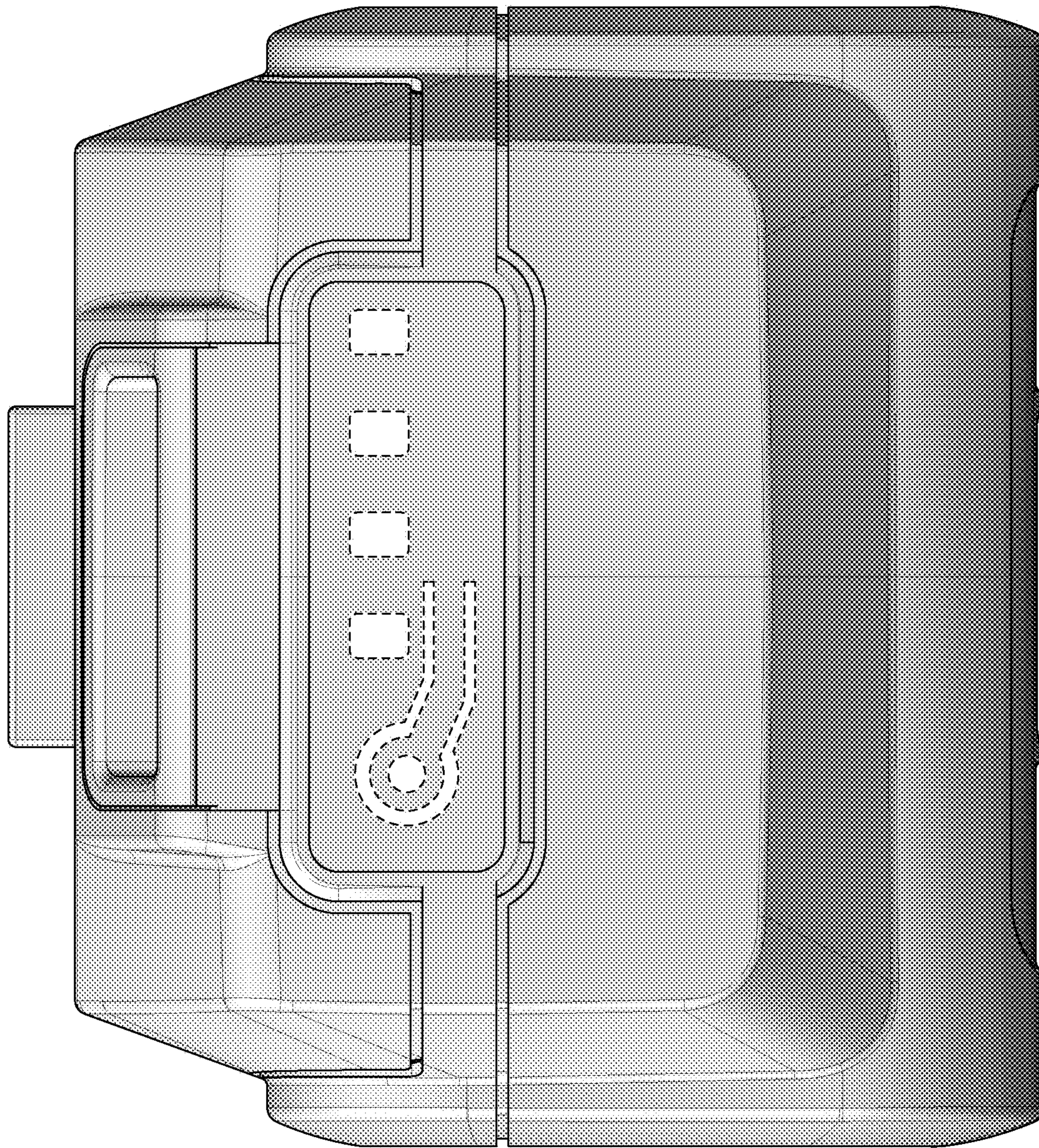


FIG. 4

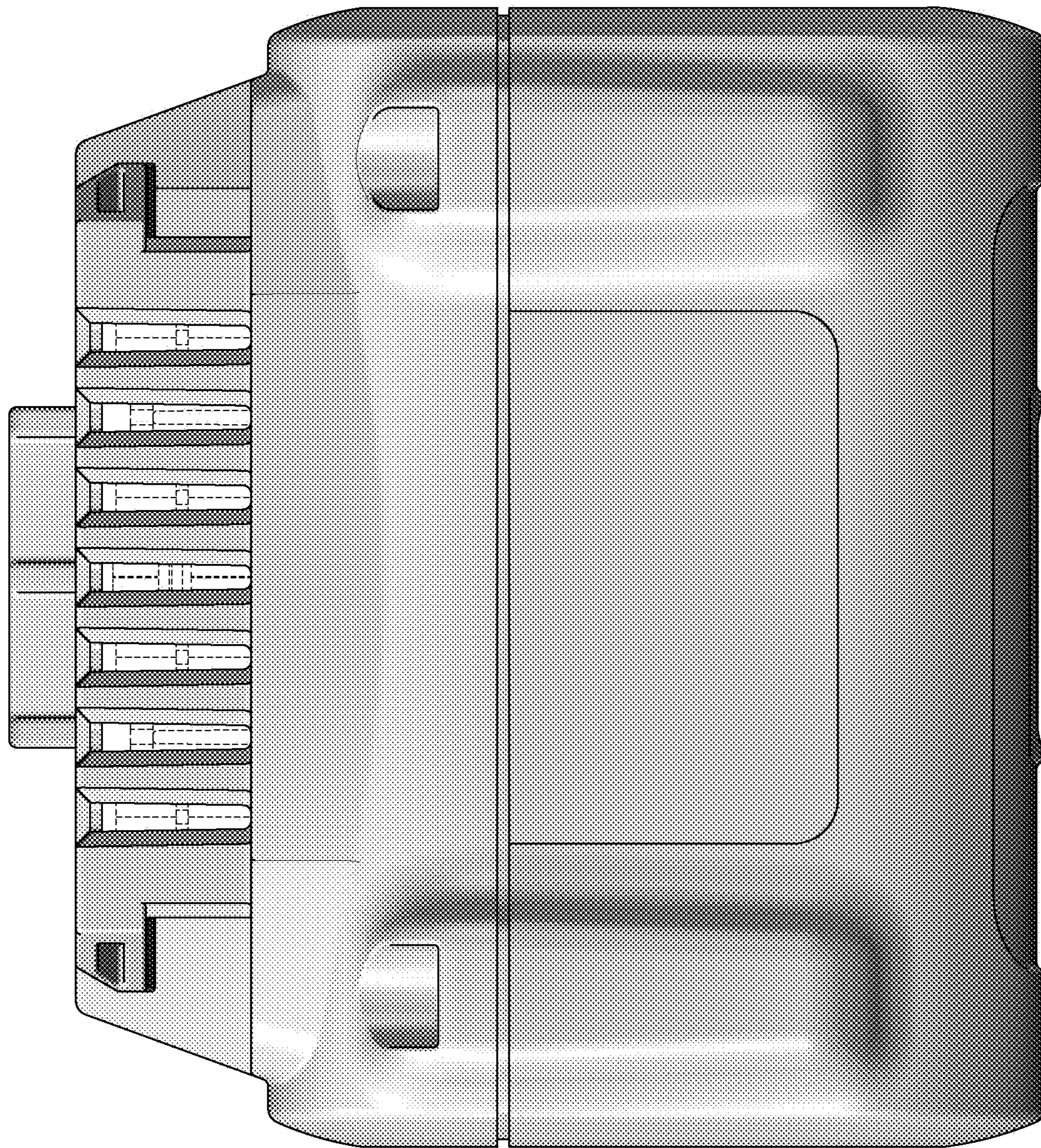


FIG. 5

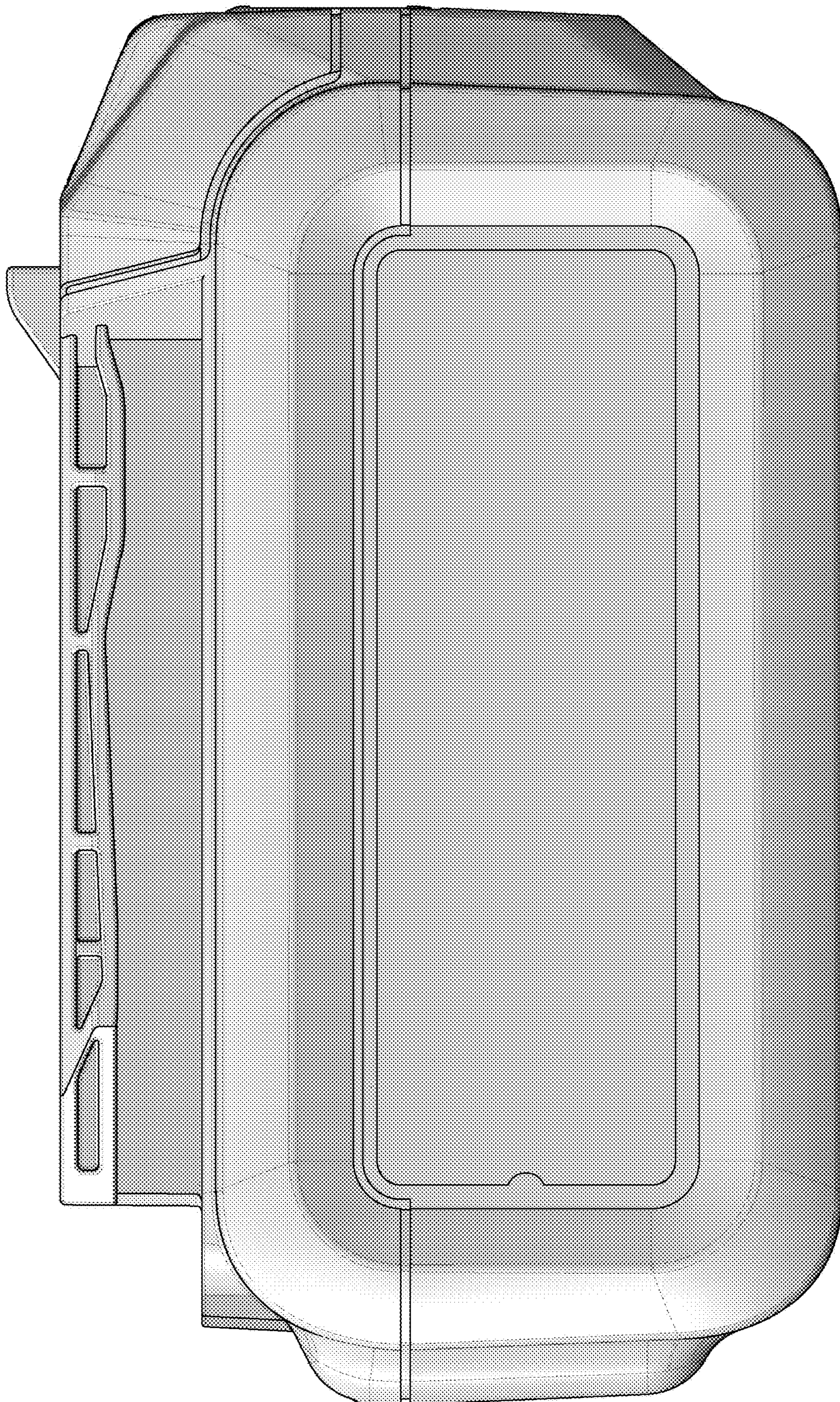


FIG. 6

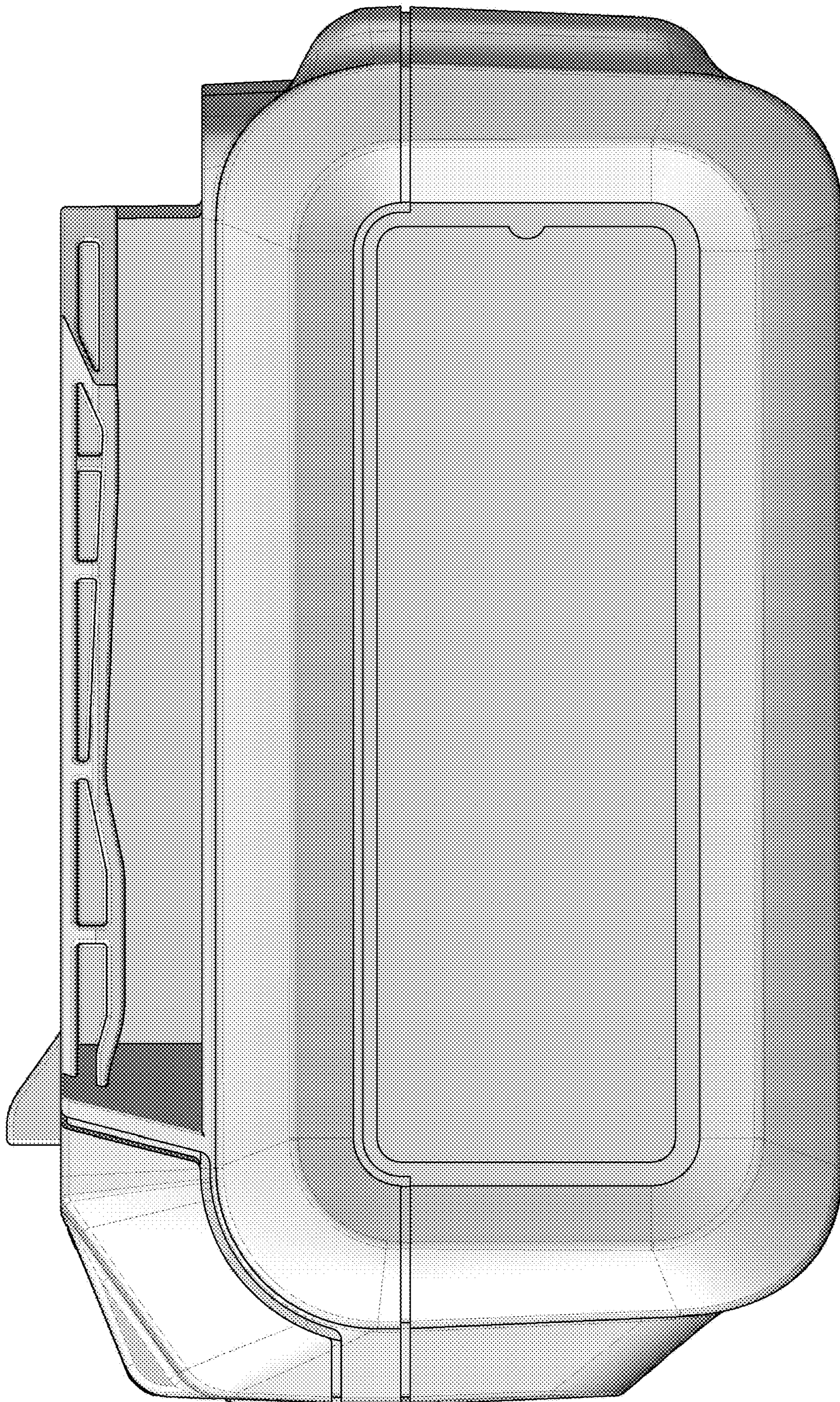


FIG. 7

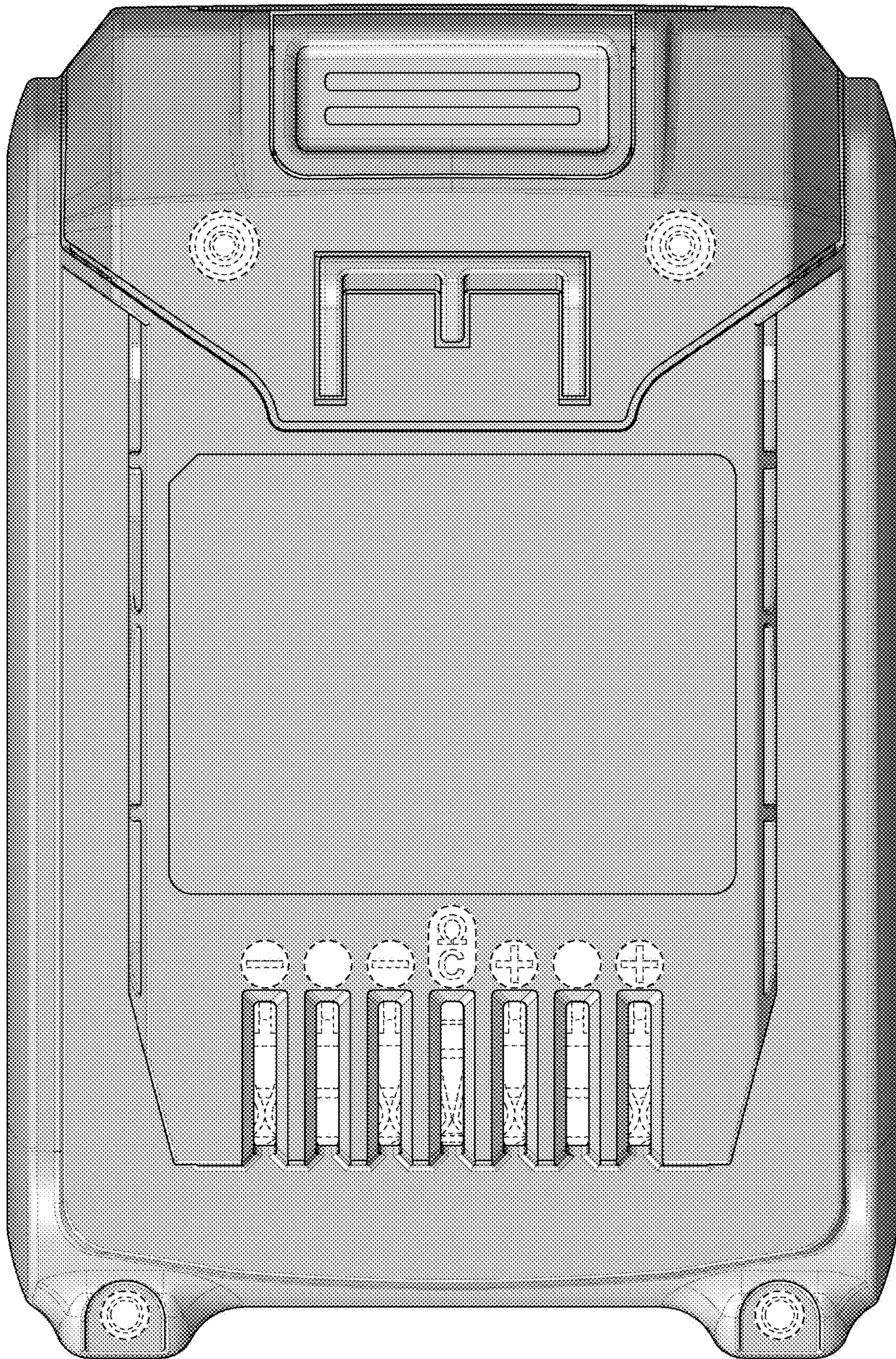


FIG. 8

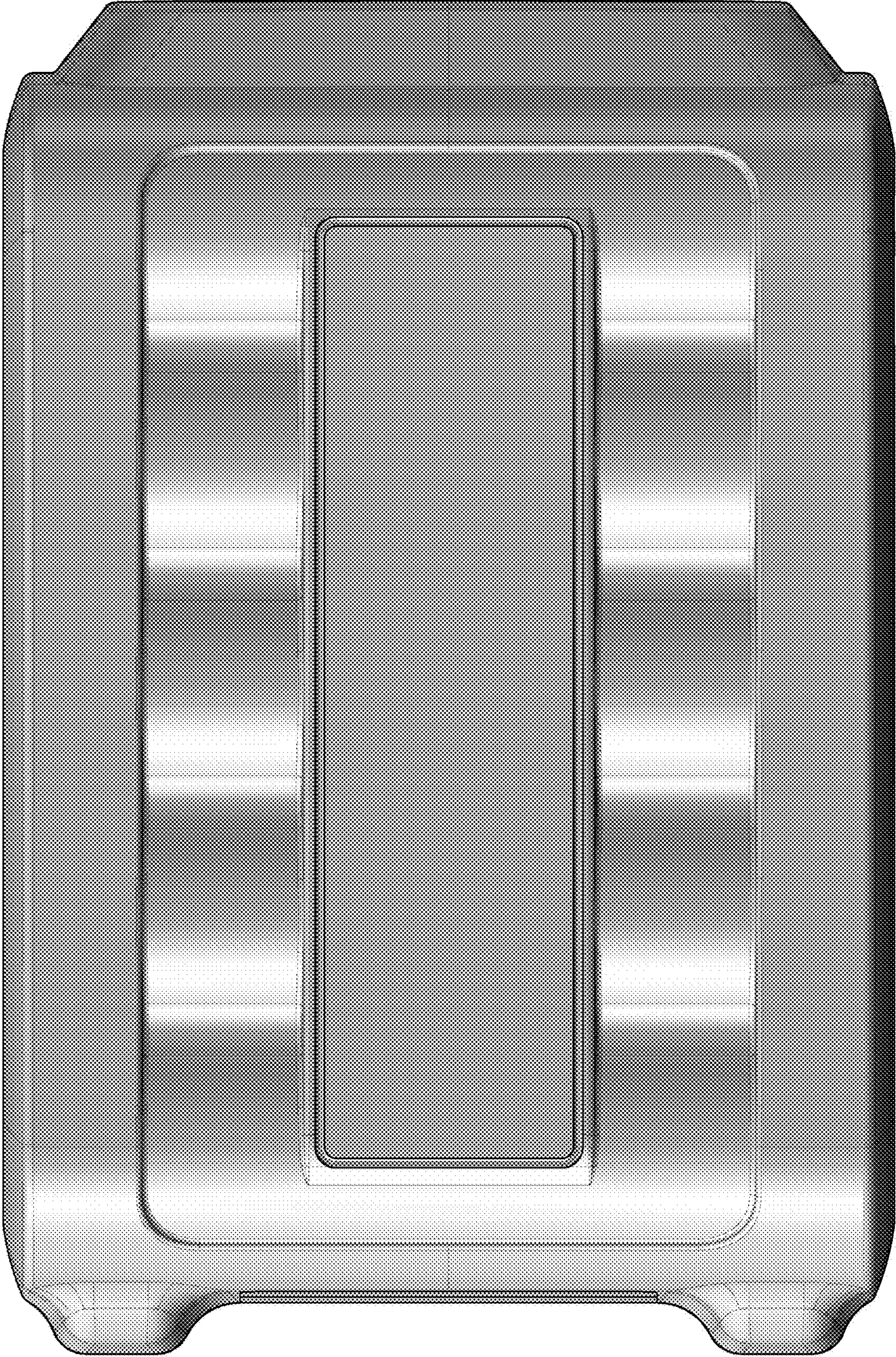


FIG. 9