



US00D924793S

(12) **United States Design Patent** (10) **Patent No.:** **US D924,793 S**
Qiu (45) **Date of Patent:** **** Jul. 13, 2021**

(54) **BATTERY**

(71) Applicant: **Globe (Jiangsu) Co., Ltd.**, Jiangsu (CN)

(72) Inventor: **Yangping Qiu**, Jiangsu (CN)

(73) Assignee: **Globe (Jiangsu) Co., Ltd.**, Jiangsu (CN)

(**) Term: **15 Years**

(21) Appl. No.: **29/701,551**

(22) Filed: **Aug. 13, 2019**

(30) **Foreign Application Priority Data**

Feb. 13, 2019 (CN) 201930063034.9

(51) **LOC (13) Cl.** **13-02**

(52) **U.S. Cl.**
USPC **D13/103**

(58) **Field of Classification Search**
USPC D13/103, 107, 108, 110, 118, 119, 122, D13/184, 199

CPC Y02E 60/12; Y02E 60/122; Y02E 60/124; Y02E 60/50; H02J 7/025; H02J 7/0042; H02J 7/0044; H02J 7/0045; H02J 7/0003; H01R 13/6675; H01M 2/1022; H01M 2/1055; H01M 10/44; H01M 10/46; H01M 10/425; B60L 11/182

See application file for complete search history.

(56) **References Cited**

U.S. PATENT DOCUMENTS

D597,932 S *	8/2009	Aglassinger	D13/103
D682,192 S *	5/2013	Corbin	D13/103
D682,193 S *	5/2013	Corbin	D13/103
D682,194 S *	5/2013	Jiang	D13/103
D699,670 S *	2/2014	Cooper	D13/103

D710,794 S *	8/2014	Busschaert	D13/103
D780,688 S *	3/2017	Elder	D13/103
D797,661 S *	9/2017	Elder	D13/103
D812,555 S *	3/2018	Schoch	D13/103
D826,149 S *	8/2018	Cooper	D13/103
D826,150 S *	8/2018	Cayon	D13/103
D876,340 S *	2/2020	Song	D13/103
D884,600 S *	5/2020	Zhou	D13/103
D884,601 S *	5/2020	Zhou	D13/103
D893,409 S *	8/2020	Stray	D13/103
D894,120 S *	8/2020	Timm	D13/103
D897,948 S *	10/2020	Yrad, Jr.	H01R 27/00 D13/107
D898,662 S *	10/2020	Waldron	D13/103
D909,290 S *	2/2021	Hasenmayer	D13/103
D911,268 S *	2/2021	Matteo	D13/103
D911,269 S *	2/2021	Matteo	D13/103
D911,931 S *	3/2021	Li	D13/103
D912,615 S *	3/2021	Li	D13/103
2017/0338452 A1 *	11/2017	Varipatis	H01M 10/425
2020/0287176 A1 *	9/2020	Lu	H01M 50/543

* cited by examiner

Primary Examiner — Christy Nemeth

(74) *Attorney, Agent, or Firm* — Rooney IP, LLC

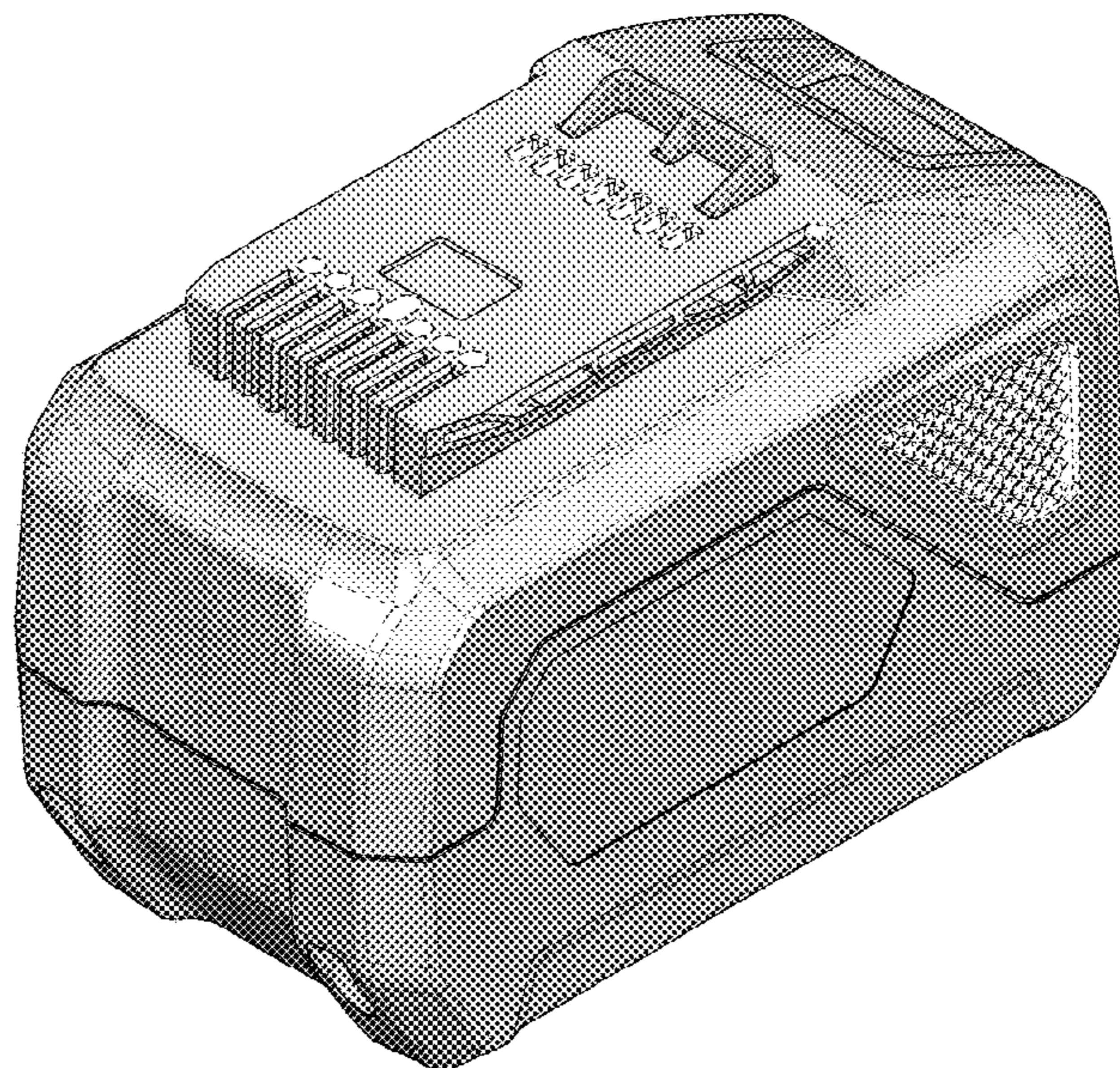
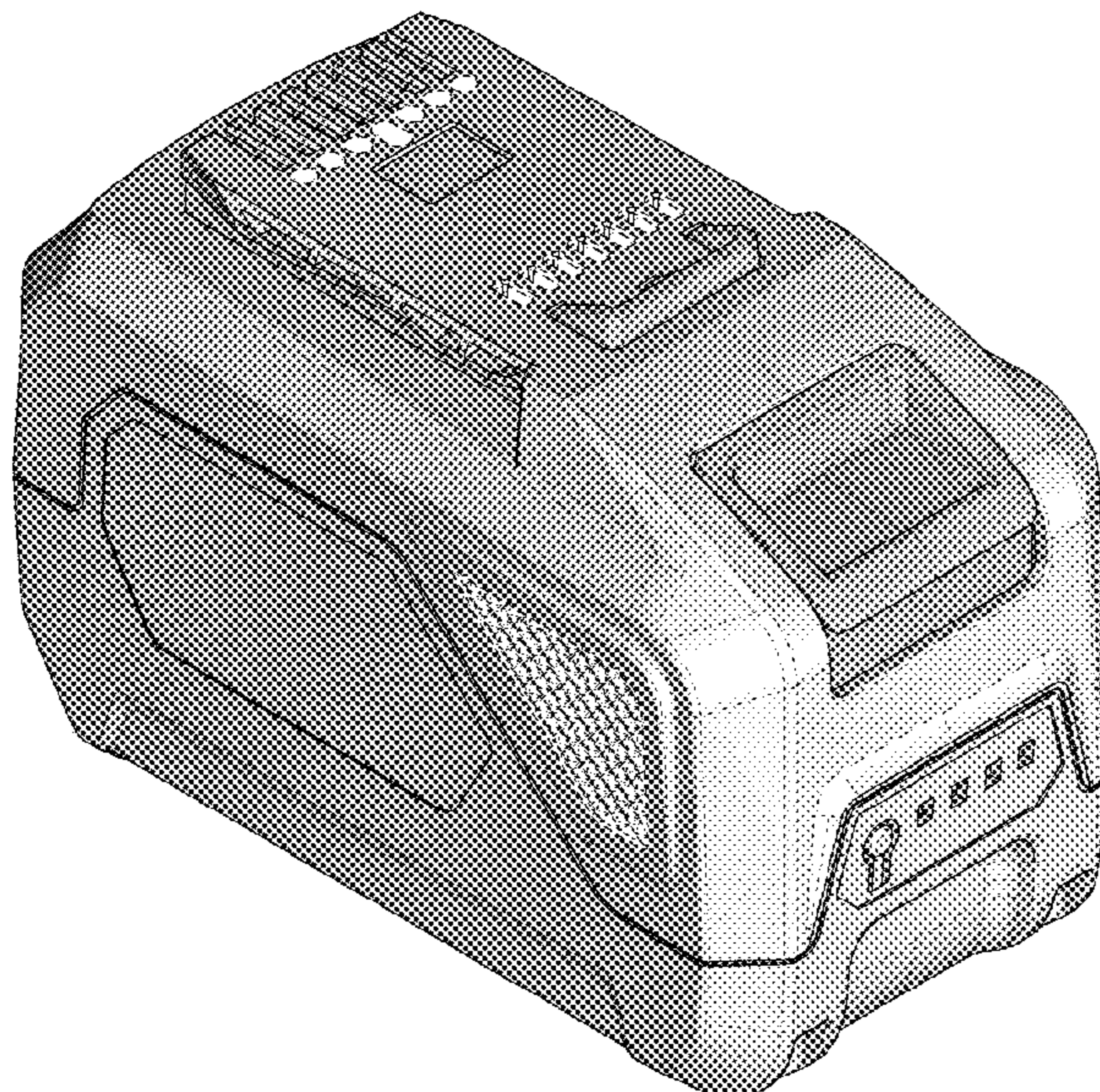
(57) **CLAIM**

The ornamental design for a battery, as shown and described.

DESCRIPTION

FIG. 1 is a front perspective view of the battery.
FIG. 2 is a rear perspective view of the battery.
FIG. 3 is a bottom front perspective view of the battery.
FIG. 4 is a front view of the battery.
FIG. 5 is a rear view of the battery.
FIG. 6 is a left side view of the battery.
FIG. 7 is a right side view of the battery.
FIG. 8 is a top view of the battery; and,
FIG. 9 is a bottom view of the battery.
The broken lines and the portions within illustrate portions of the article that form no part of the claim.

1 Claim, 9 Drawing Sheets



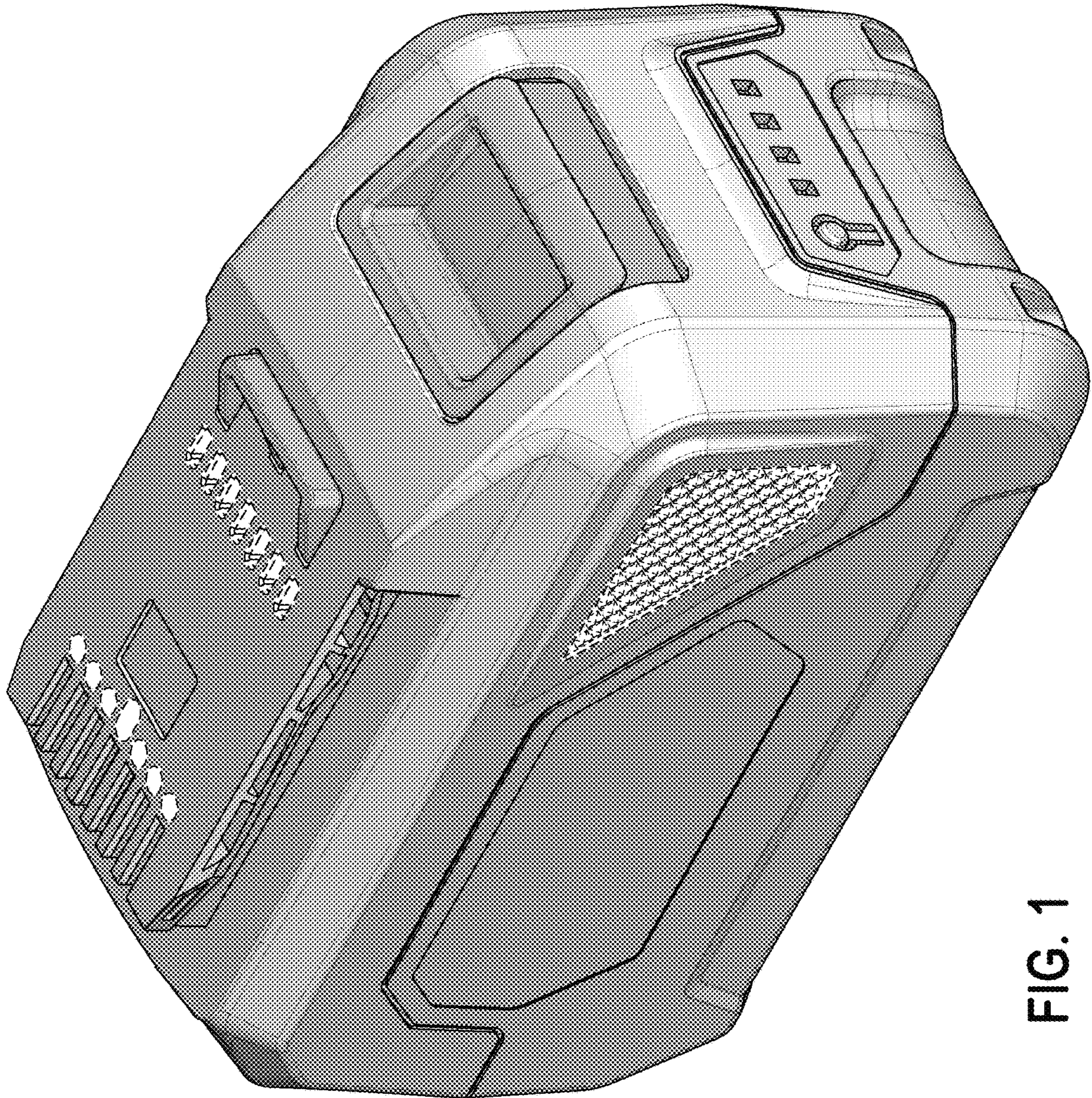


FIG. 1

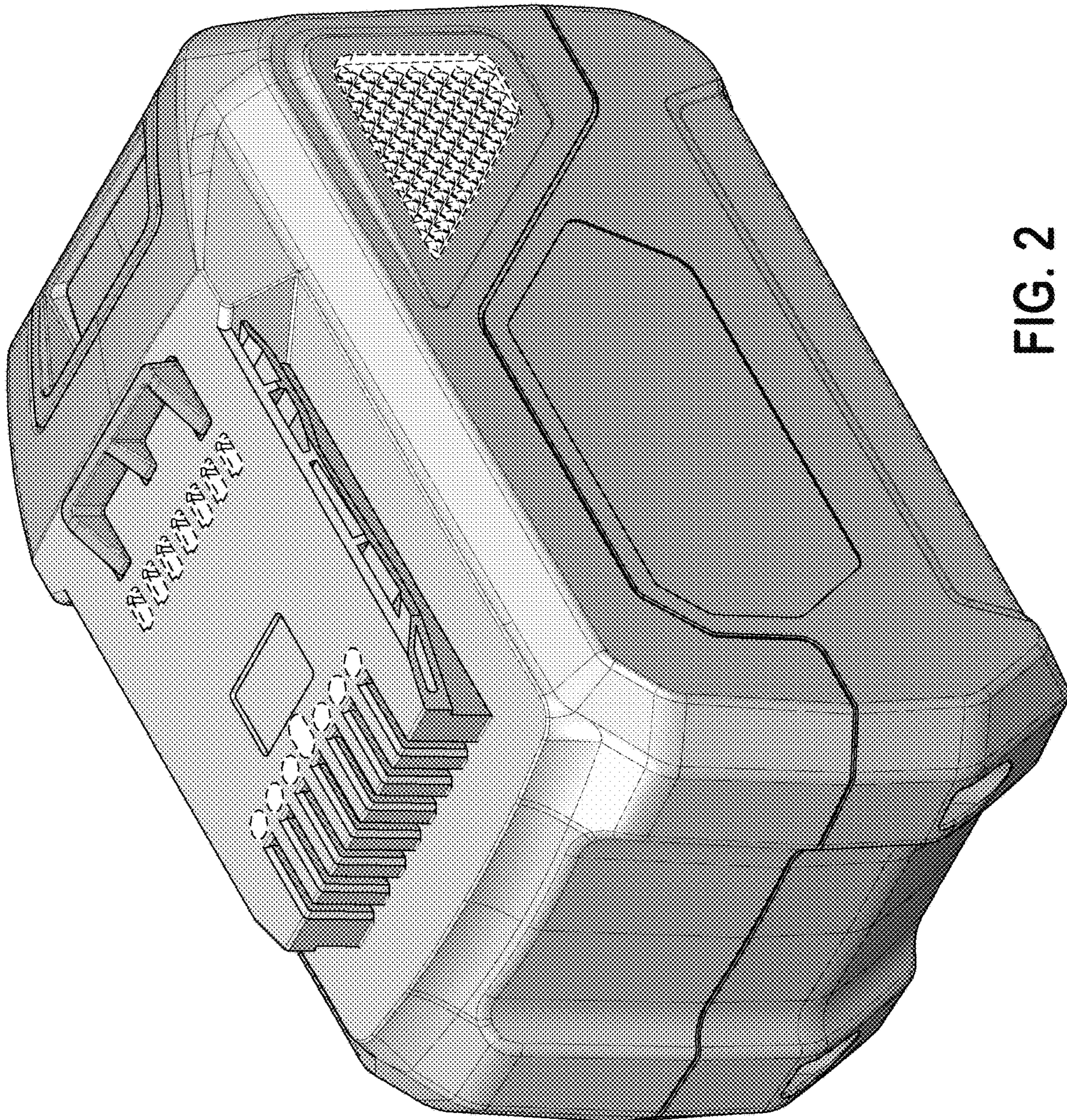


FIG. 2

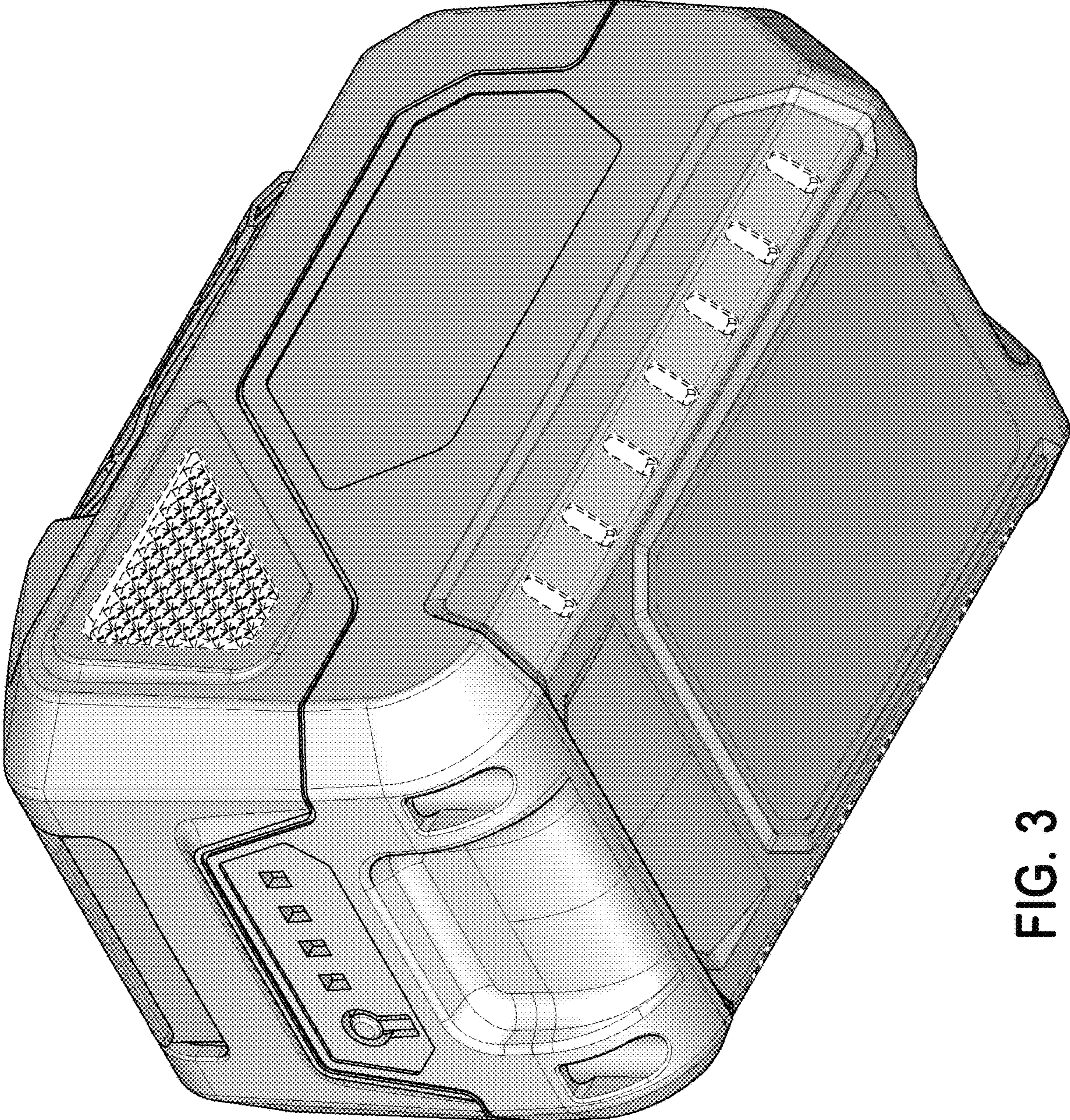


FIG. 3

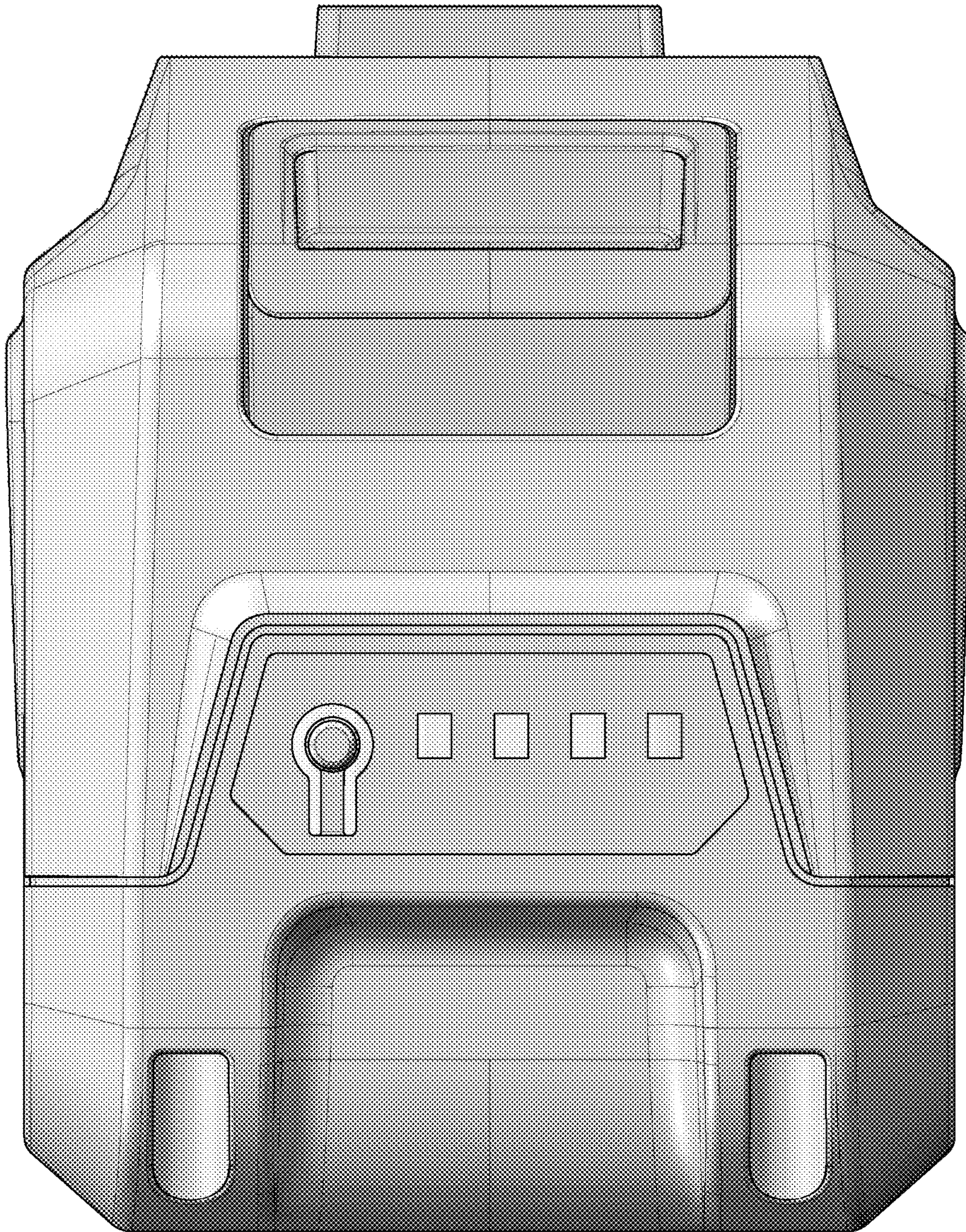


FIG. 4

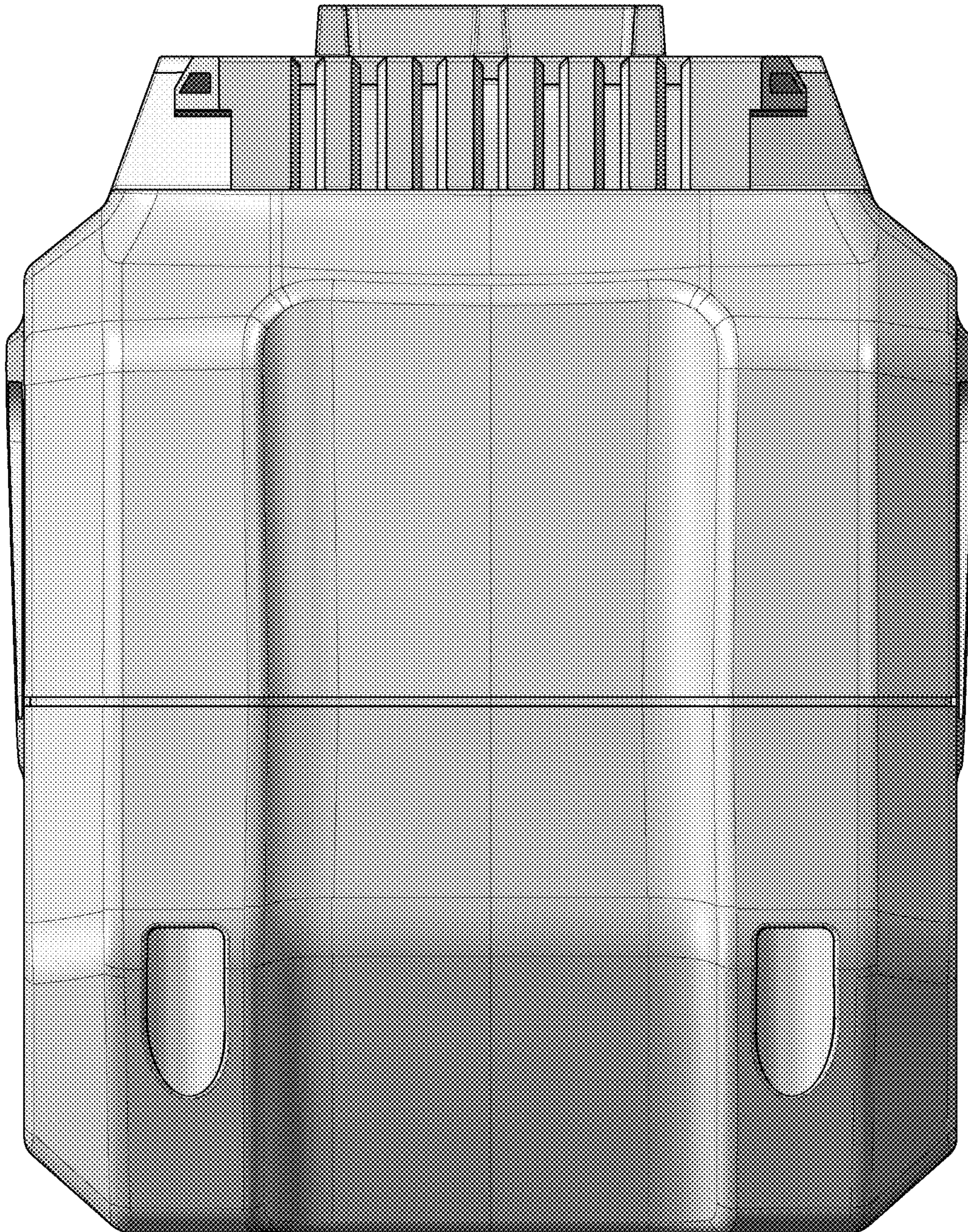


FIG. 5

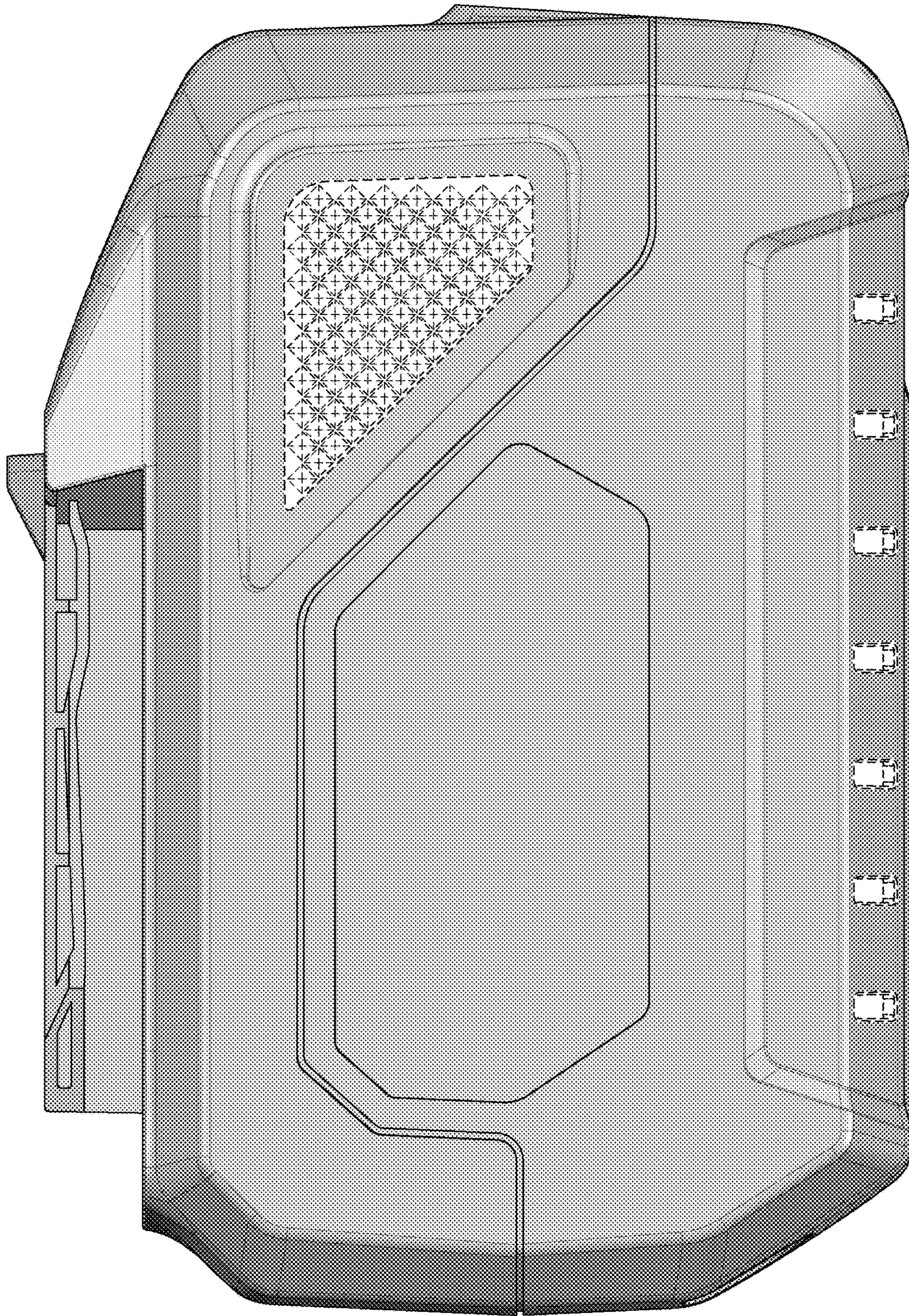


FIG. 6

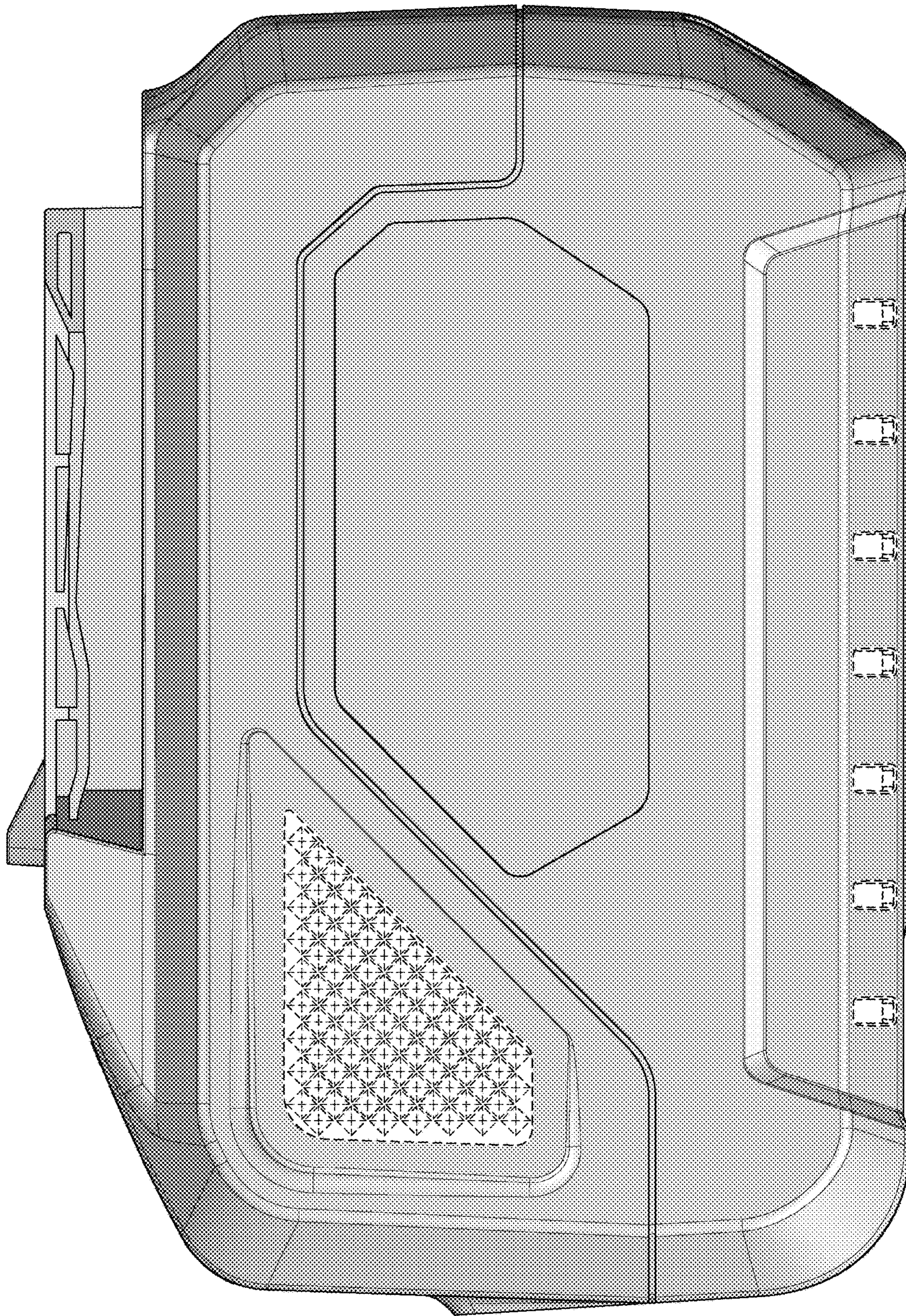


FIG. 7

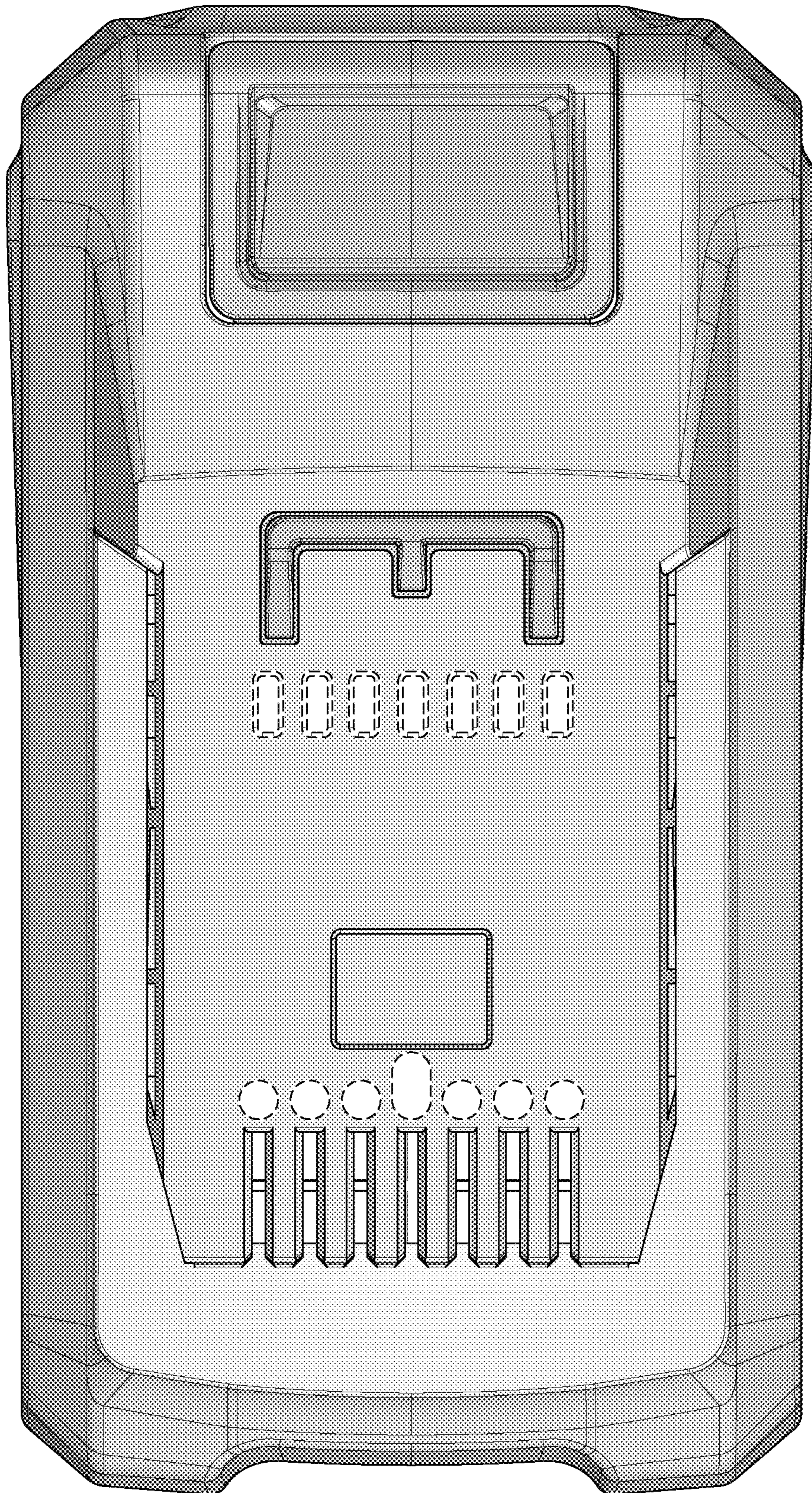


FIG. 8

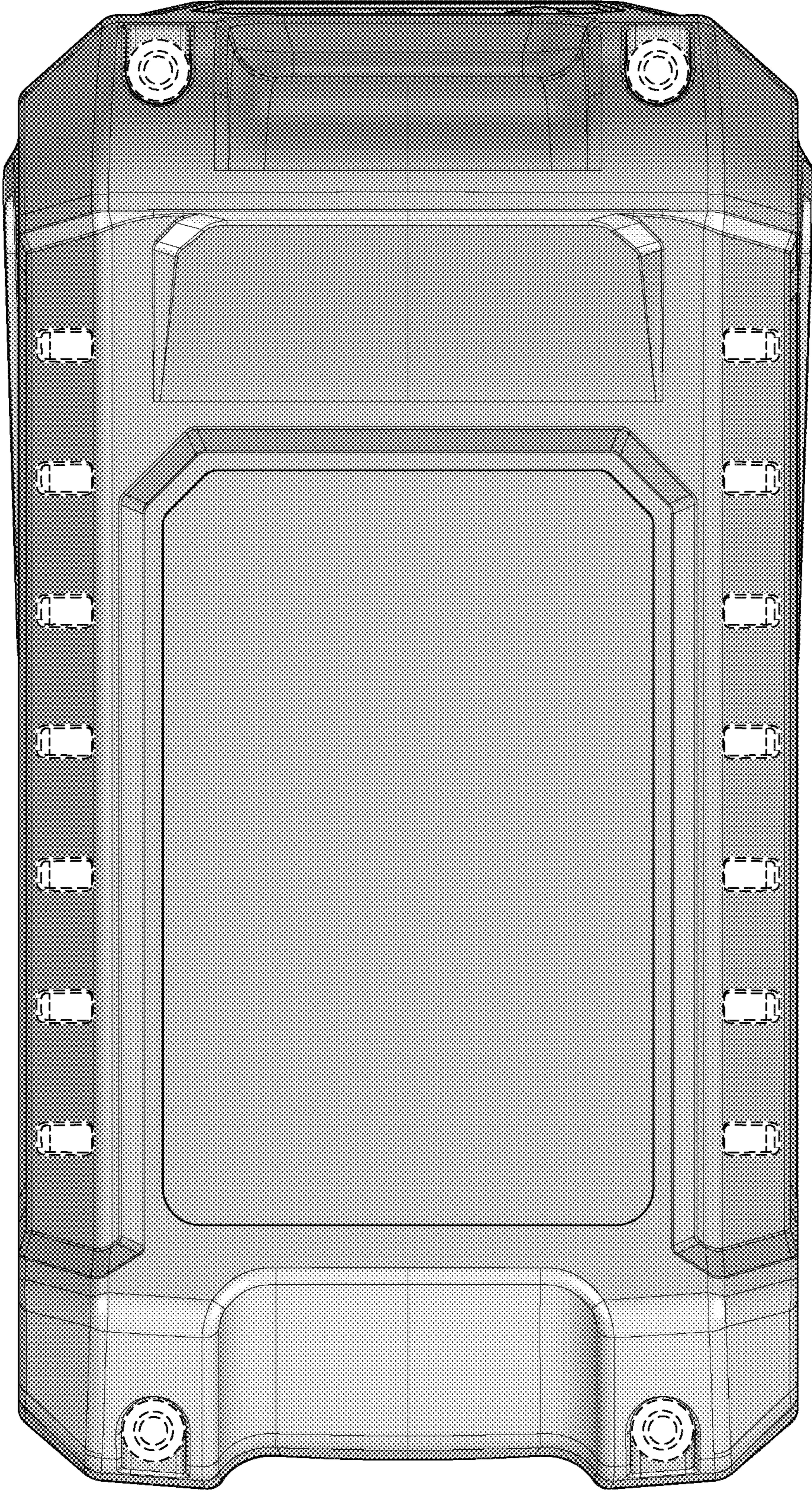


FIG. 9