

US00D924791S

(12) **United States Design Patent** (10) **Patent No.:** **US D924,791 S**
Yrad, Jr. (45) **Date of Patent:** **** Jul. 13, 2021**

(54) **BATTERY INTERFACE**
(71) Applicant: **Ridge Tool Company**, Elyria, OH (US)
(72) Inventor: **Billy Odon M. Yrad, Jr.**, Elyria, OH (US)
(73) Assignee: **Ridge Tool Company**, Elyria, OH (US)
(**) Term: **15 Years**
(21) Appl. No.: **29/698,297**
(22) Filed: **Jul. 16, 2019**
(51) **LOC (13) Cl.** **13-02**
(52) **U.S. Cl.**
USPC **D13/103**
(58) **Field of Classification Search**
USPC D13/102–106, 110, 118–119, 184
CPC Y02E 60/12; Y02E 60/122; Y02E 60/124;
Y02E 60/50; H01M 2/02; H01M 2/022;
H01M 2/0202; H01M 2/0207; H01M
2/0212; H01M 2/1061; H01M 2/1022;
H01M 2/1055; H01M 2/1066; H01M
2/105; H01M 2/204; H01M 10/4257;
H01M 10/0436; H01M 10/48
See application file for complete search history.

(56) **References Cited**
U.S. PATENT DOCUMENTS
7,618,741 B2 * 11/2009 Casalena H02J 7/0042
320/112
D643,809 S * 8/2011 Okuda D13/103
D682,194 S * 5/2013 Jiang D13/103
D684,528 S * 6/2013 Murray D13/103
D698,312 S * 1/2014 Miller D13/119
D712,826 S * 9/2014 Marino D13/103
9,172,115 B2 * 10/2015 Kolden H01M 10/425
D748,577 S * 2/2016 Marino D13/118

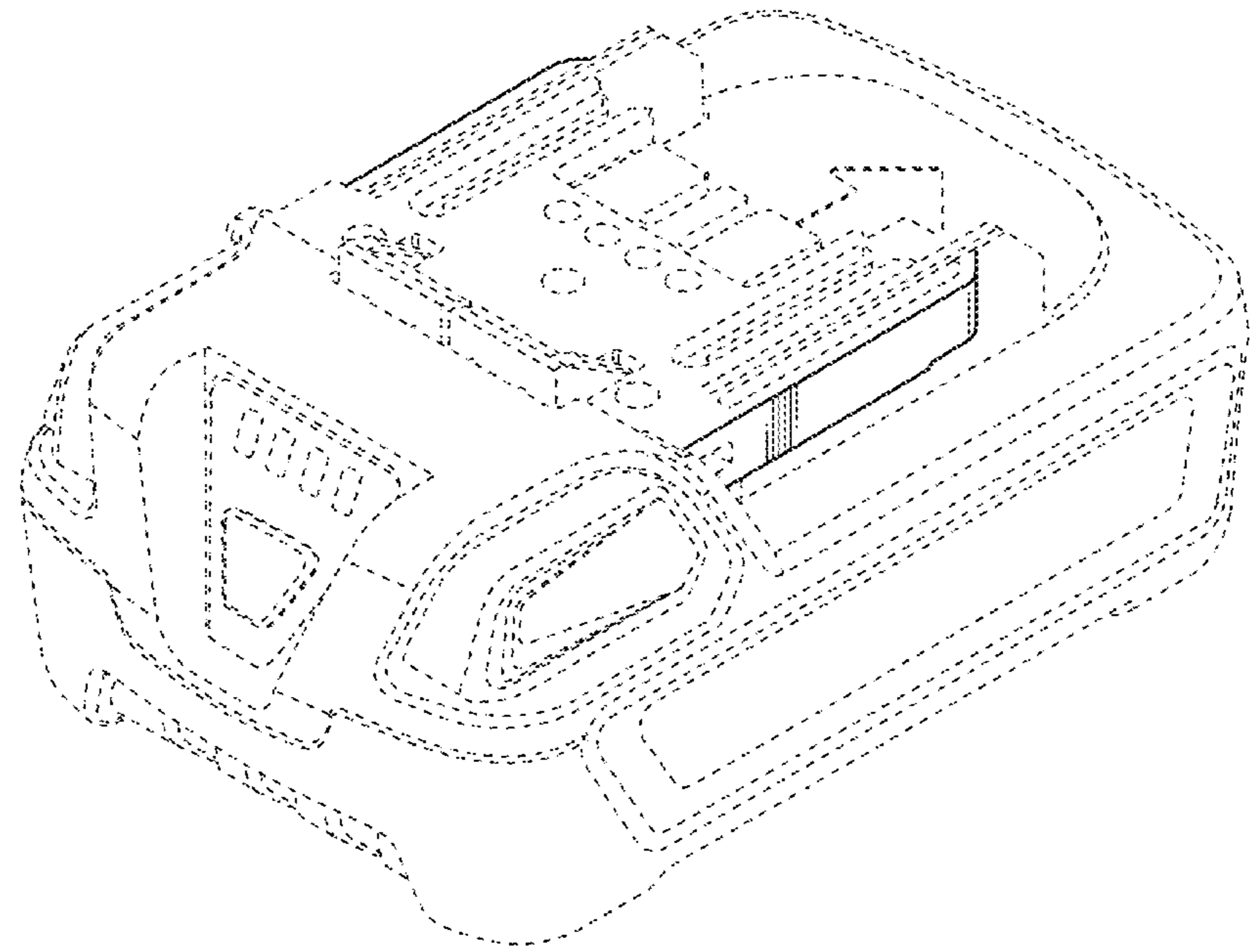
D790,307 S * 6/2017 Marino D8/70
D800,062 S * 10/2017 Rowe D13/119
D800,656 S * 10/2017 Marino D13/119
D801,916 S * 11/2017 Altenburger D13/103
D801,917 S * 11/2017 Jiang D13/103
D884,601 S * 5/2020 Zhou D13/103
2008/0084181 A1 * 4/2008 Griffin H01R 13/6315
320/114
2014/0266071 A1 * 9/2014 Tomiyasu H02J 7/0091
320/150
2014/0272516 A1 * 9/2014 Tennison H01M 10/613
429/120
2015/0357683 A1 * 12/2015 Lohr H02J 7/0045
320/108
2020/0139531 A1 * 5/2020 Zahn H01M 2/348

* cited by examiner
Primary Examiner — Catherine S Posthauer
Assistant Examiner — Alison M Ofstun
(74) *Attorney, Agent, or Firm* — Mark E. Bandy; Rankin Hill & Clark, LLP

(57) **CLAIM**
The ornamental design for a battery interface, as shown and described.

DESCRIPTION
FIG. 1 is a front, right, perspective view of a battery interface showing my new design;
FIG. 2 is a rear view thereof;
FIG. 3 is a front view thereof;
FIG. 4 is a right side view thereof;
FIG. 5 is a left side view thereof;
FIG. 6 is a top plan view thereof; and,
FIG. 7 is a bottom plan view thereof.
The broken lines in the figures illustrate portions of the article which form no part of the claimed design.

1 Claim, 7 Drawing Sheets



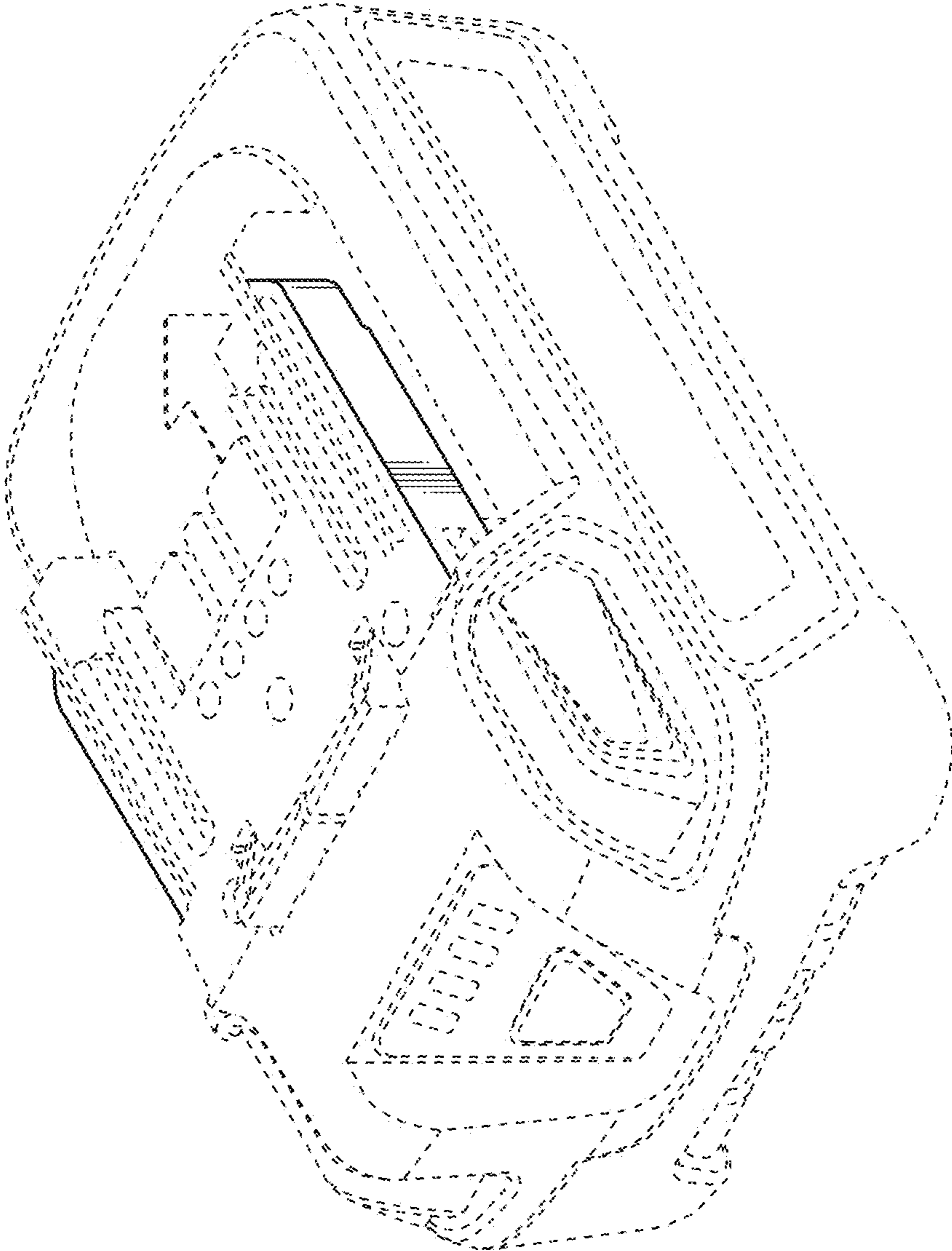


FIG. 1

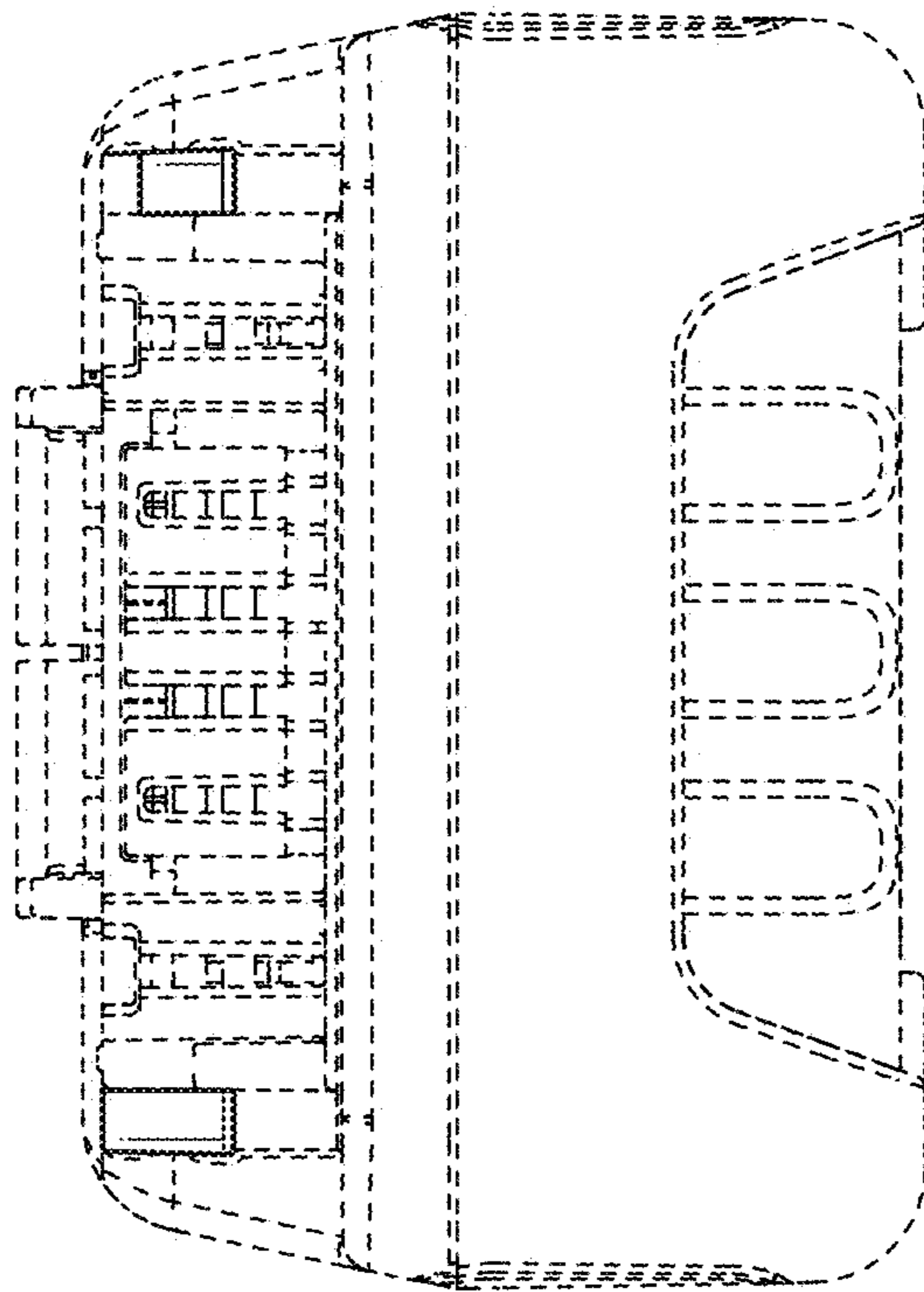


FIG. 2

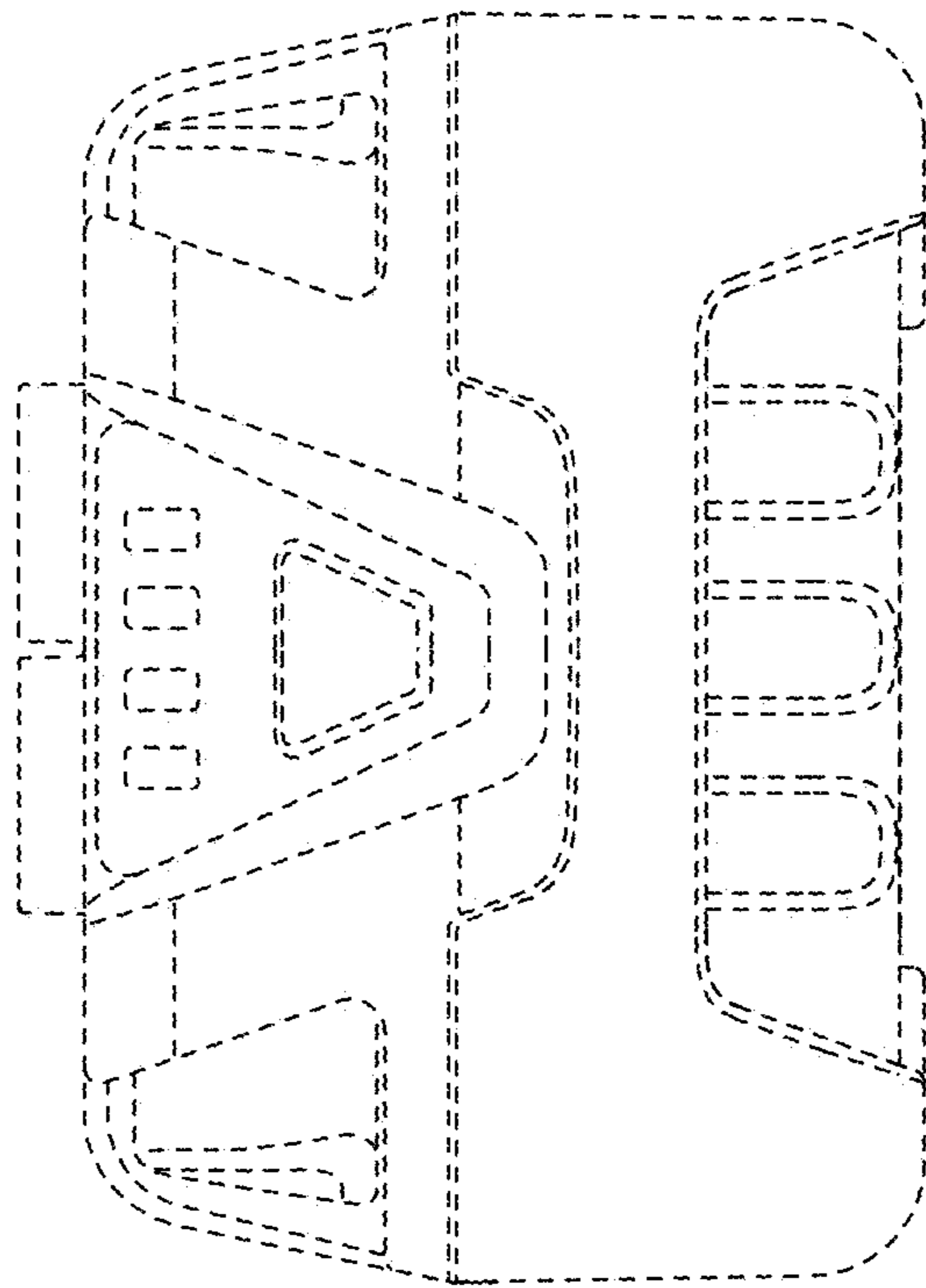


FIG. 3

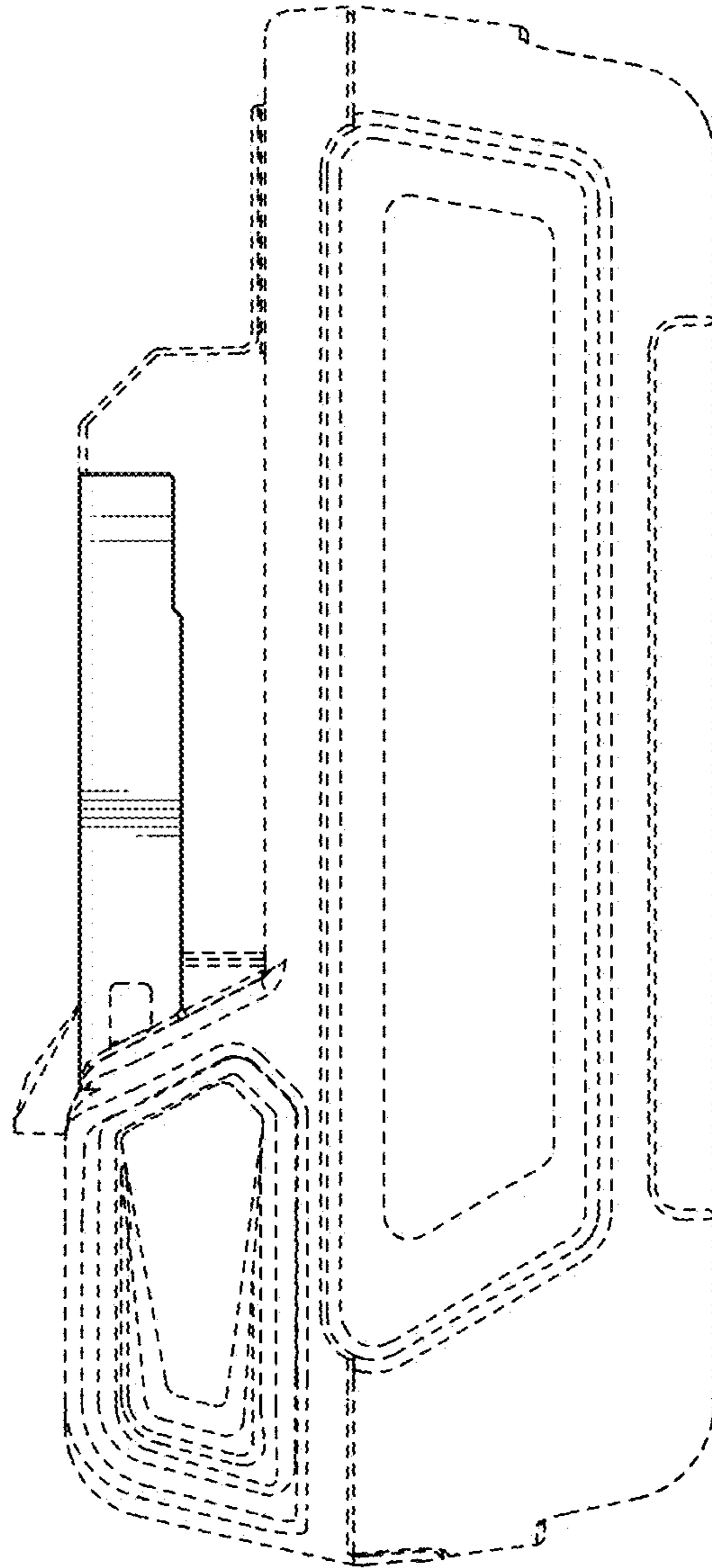


FIG. 4

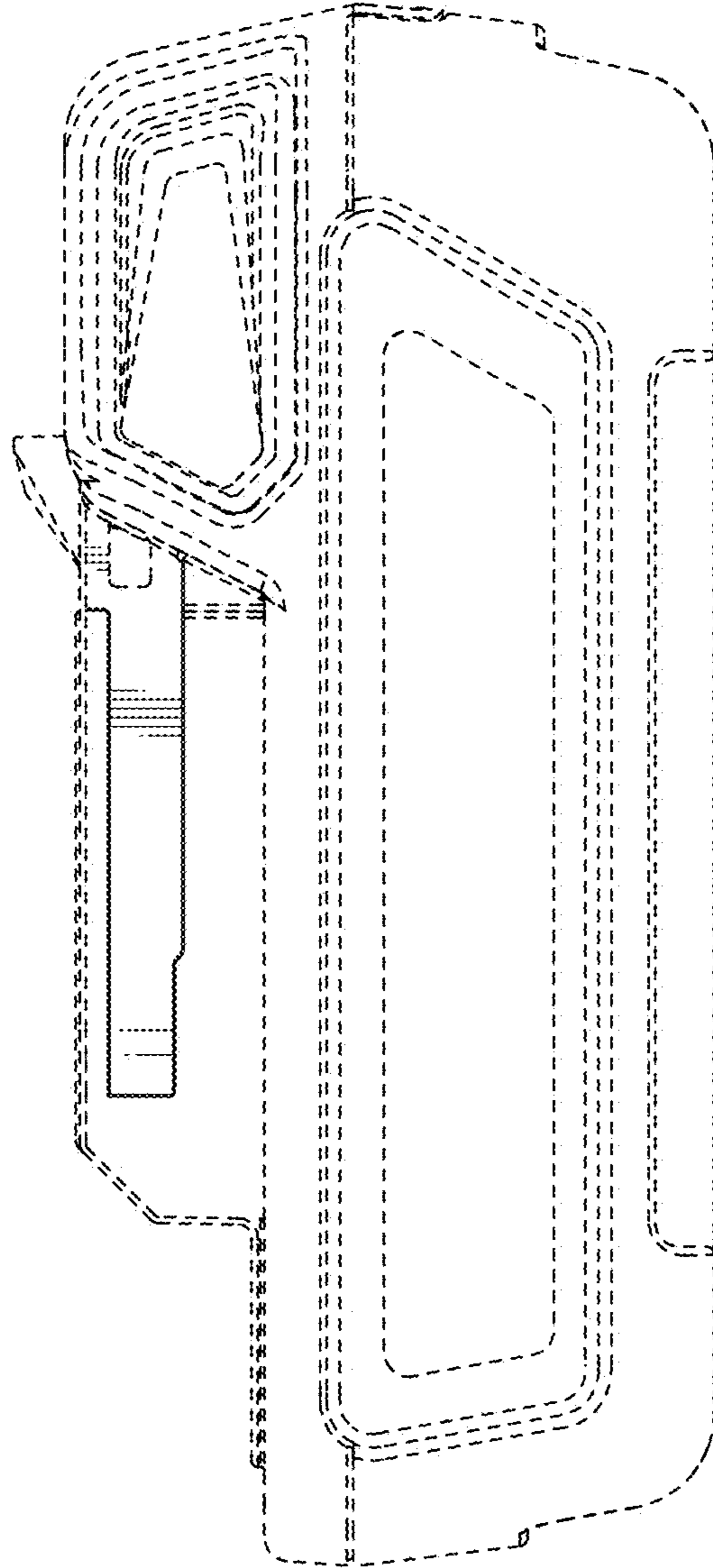


FIG. 5

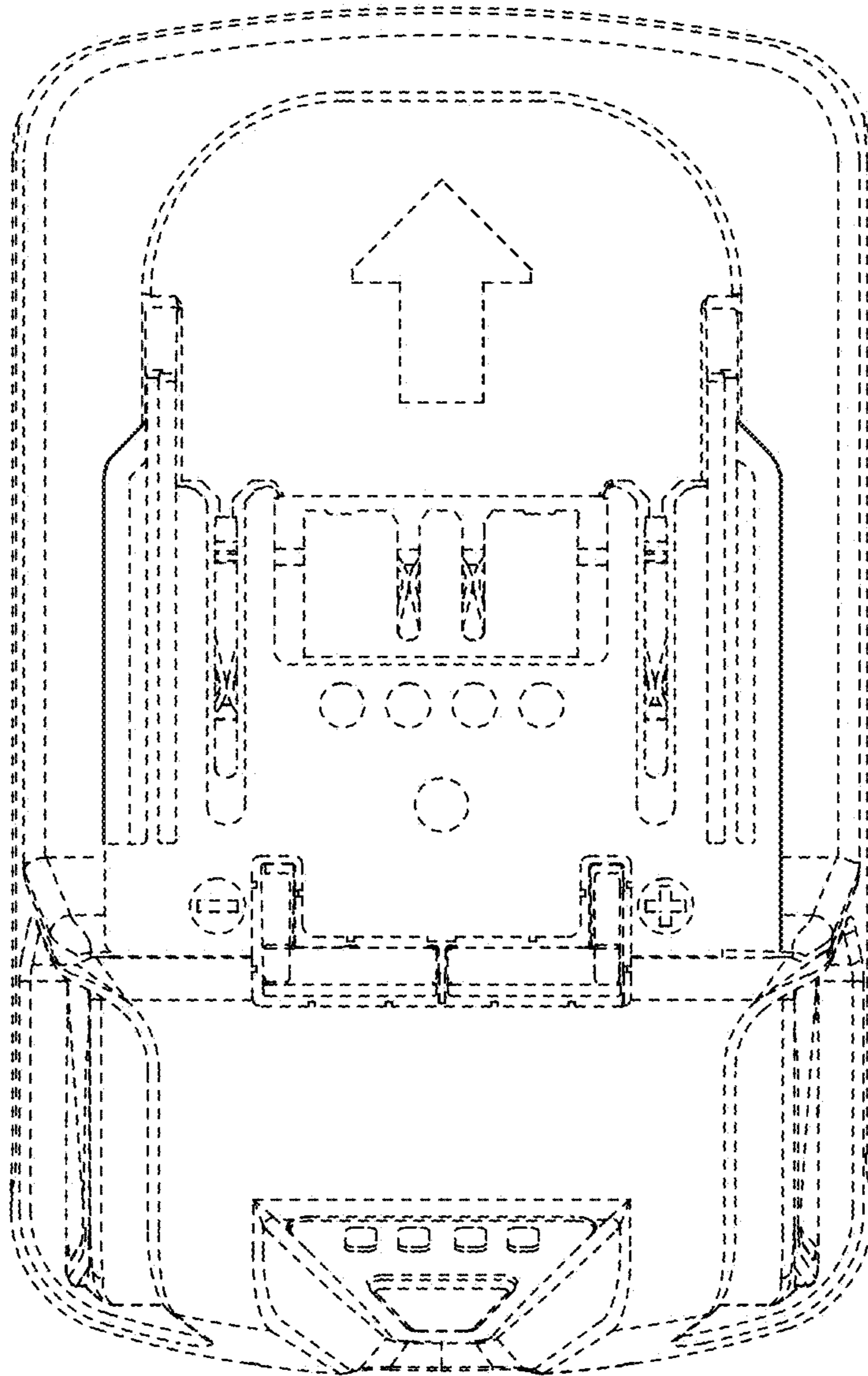


FIG. 6

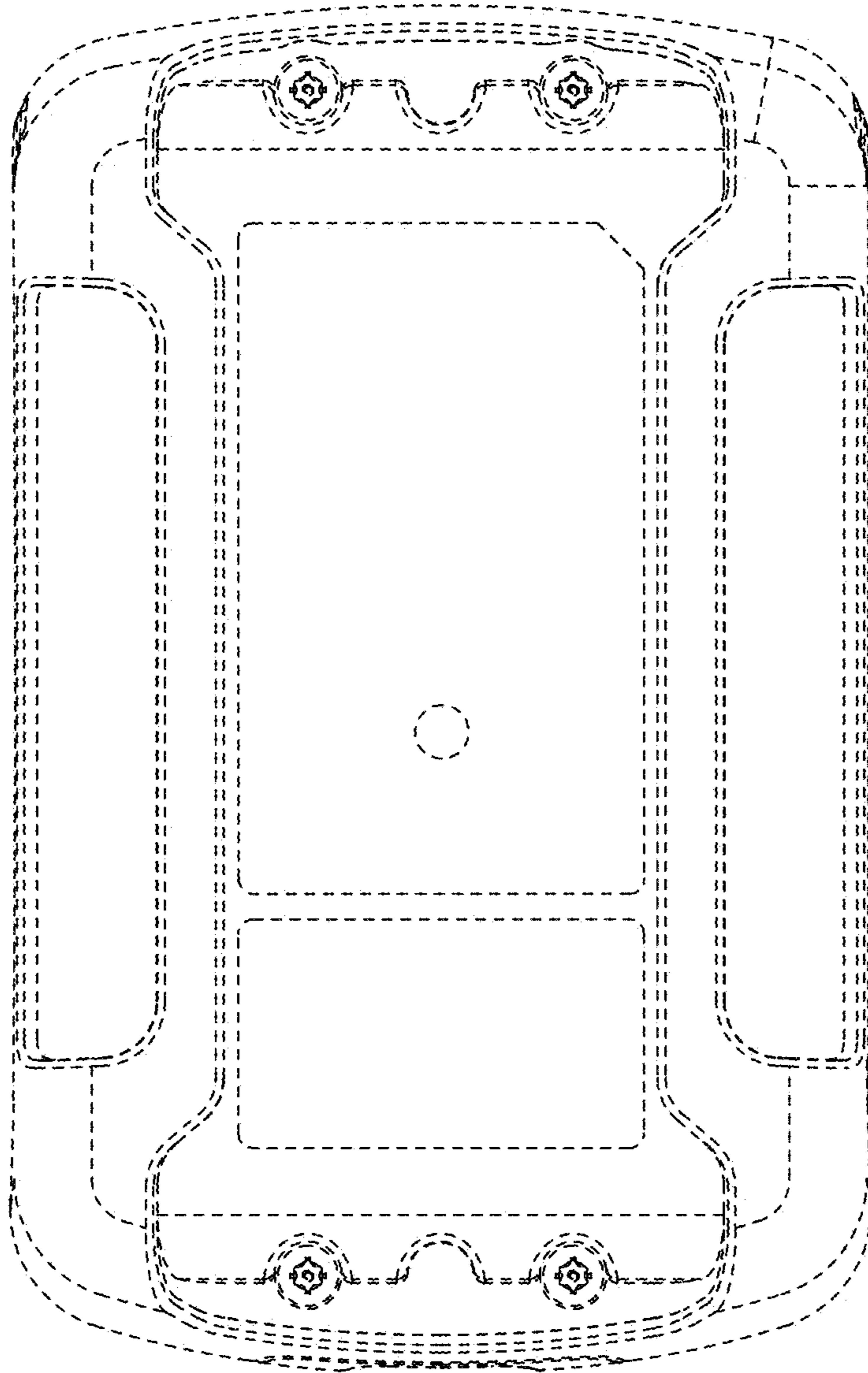


FIG. 7