



US00D924789S

(12) **United States Design Patent**  
**Sato et al.**

(10) **Patent No.:** **US D924,789 S**

(45) **Date of Patent:** **\*\* Jul. 13, 2021**

(54) **AUTOMOBILE TIRE**

(71) Applicant: **THE YOKOHAMA RUBBER CO., LTD.**, Tokyo (JP)

(72) Inventors: **Kenichi Sato**, Hiratsuka (JP); **Hiraku Kouda**, Hiratsuka (JP)

(73) Assignee: **THE YOKOHAMA RUBBER CO., LTD.**, Tokyo (JP)

(\*\*) Term: **15 Years**

(21) Appl. No.: **29/729,155**

(22) Filed: **Mar. 24, 2020**

(30) **Foreign Application Priority Data**

Sep. 24, 2019 (JP) ..... 2019-021271 U

(51) **LOC (13) Cl.** ..... **12-15**

(52) **U.S. Cl.**  
USPC ..... **D12/605**

(58) **Field of Classification Search**  
USPC ..... D12/604, 605  
CPC ..... B60C 13/00; B60C 1/00  
See application file for complete search history.

(56) **References Cited**

**U.S. PATENT DOCUMENTS**

D450,034 S *	11/2001	Kajikawa	.....	D12/605
D549,166 S *	8/2007	Lee	.....	D12/605
D569,335 S *	5/2008	Lee	.....	D12/605
D570,768 S *	6/2008	Takahashi	.....	D12/605
D596,116 S *	7/2009	Fujita	.....	D12/605
D597,025 S *	7/2009	Fujita	.....	D12/605
D640,188 S *	6/2011	Strader	.....	D12/605
D645,812 S *	9/2011	Tokizaki	.....	D12/605
D650,323 S *	12/2011	Morito	.....	D12/605
D655,671 S *	3/2012	Yasunaga	.....	D12/605
D662,465 S *	6/2012	Takano	.....	D12/605

D662,466 S *	6/2012	Takano	.....	D12/605
D669,845 S *	10/2012	Iwabuchi	.....	D12/605
D671,066 S *	11/2012	Morito	.....	D12/605
D678,832 S *	3/2013	Fontaine	.....	D12/605
D681,547 S *	5/2013	Sato	.....	D12/605
D683,695 S *	6/2013	Takeshima	.....	D12/605
D695,211 S *	12/2013	Yasunaga	.....	D12/605
D740,220 S *	10/2015	Nakamura	.....	D12/605
D750,554 S *	3/2016	Iwabuchi	.....	D12/605
D754,063 S *	4/2016	Iwabuchi	.....	D12/605

(Continued)

*Primary Examiner* — Michelle E. Wilson

*Assistant Examiner* — Clese Moore, Jr.

(74) *Attorney, Agent, or Firm* — Banner & Witcoff, Ltd.

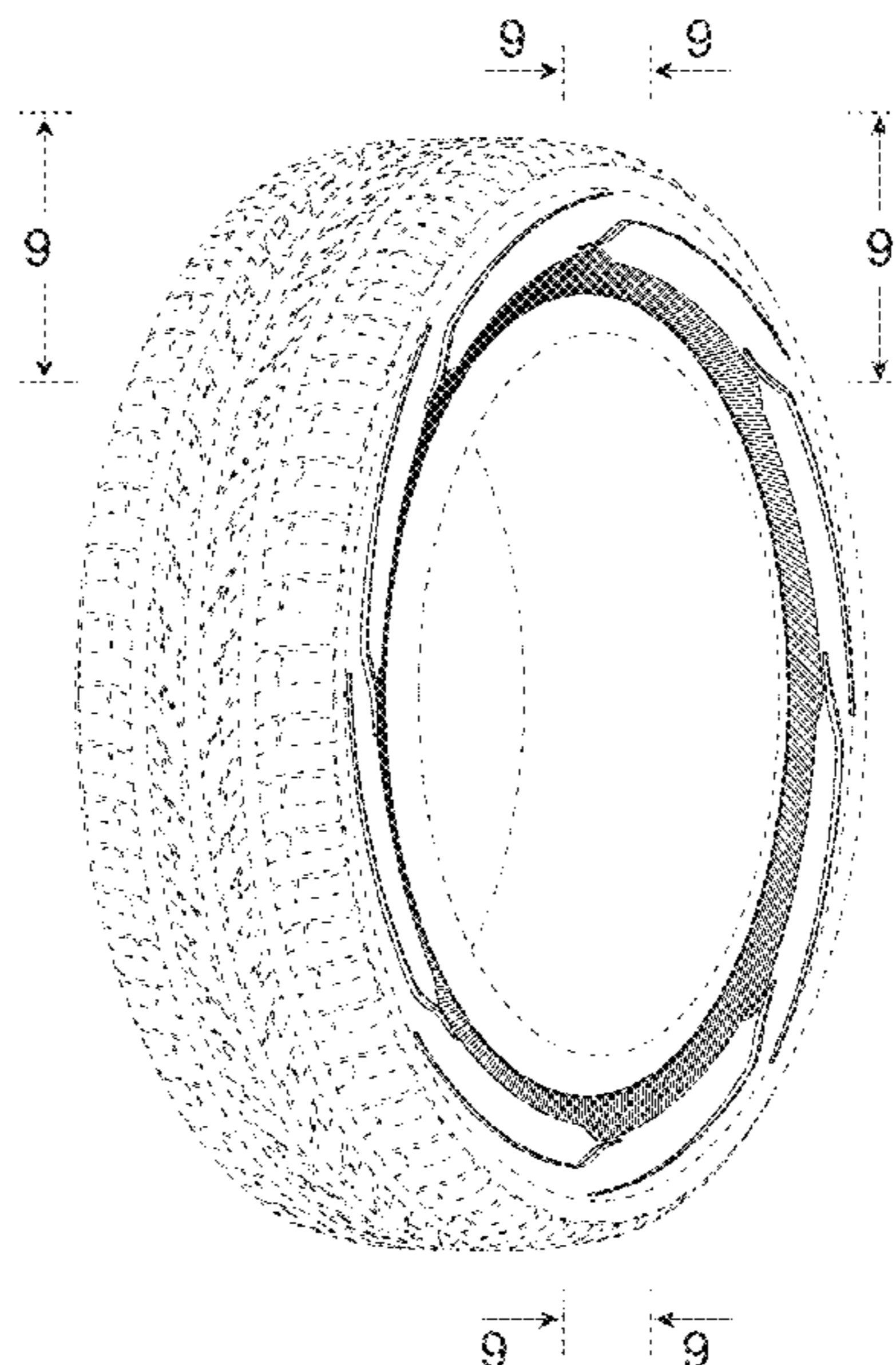
(57) **CLAIM**

The ornamental design for an automobile tire, as shown and described.

**DESCRIPTION**

FIG. 1 is a front perspective view of an automobile tire showing our design;  
 FIG. 2 is a rear perspective view thereof;  
 FIG. 3 is a front view thereof;  
 FIG. 4 is a rear view thereof;  
 FIG. 5 is a right side view thereof;  
 FIG. 6 is a left side view thereof;  
 FIG. 7 is a top view thereof;  
 FIG. 8 is a bottom view thereof;  
 FIG. 9 is a partially enlarged view of a portion defined by lines 9-9 shown in FIG. 1;  
 FIG. 10 is a partially enlarged view of a portion defined by lines 10-10 shown in FIG. 3;  
 FIG. 11 is a partially enlarged view of a portion defined by lines 11-11 shown in FIG. 5; and,  
 FIG. 12 is a cross sectional view of a portion defined by lines 12-12 shown in FIG. 11.  
 In the drawings, the broken lines depict environmental subject matter only and form no part of the claimed design.

**1 Claim, 12 Drawing Sheets**



(56)

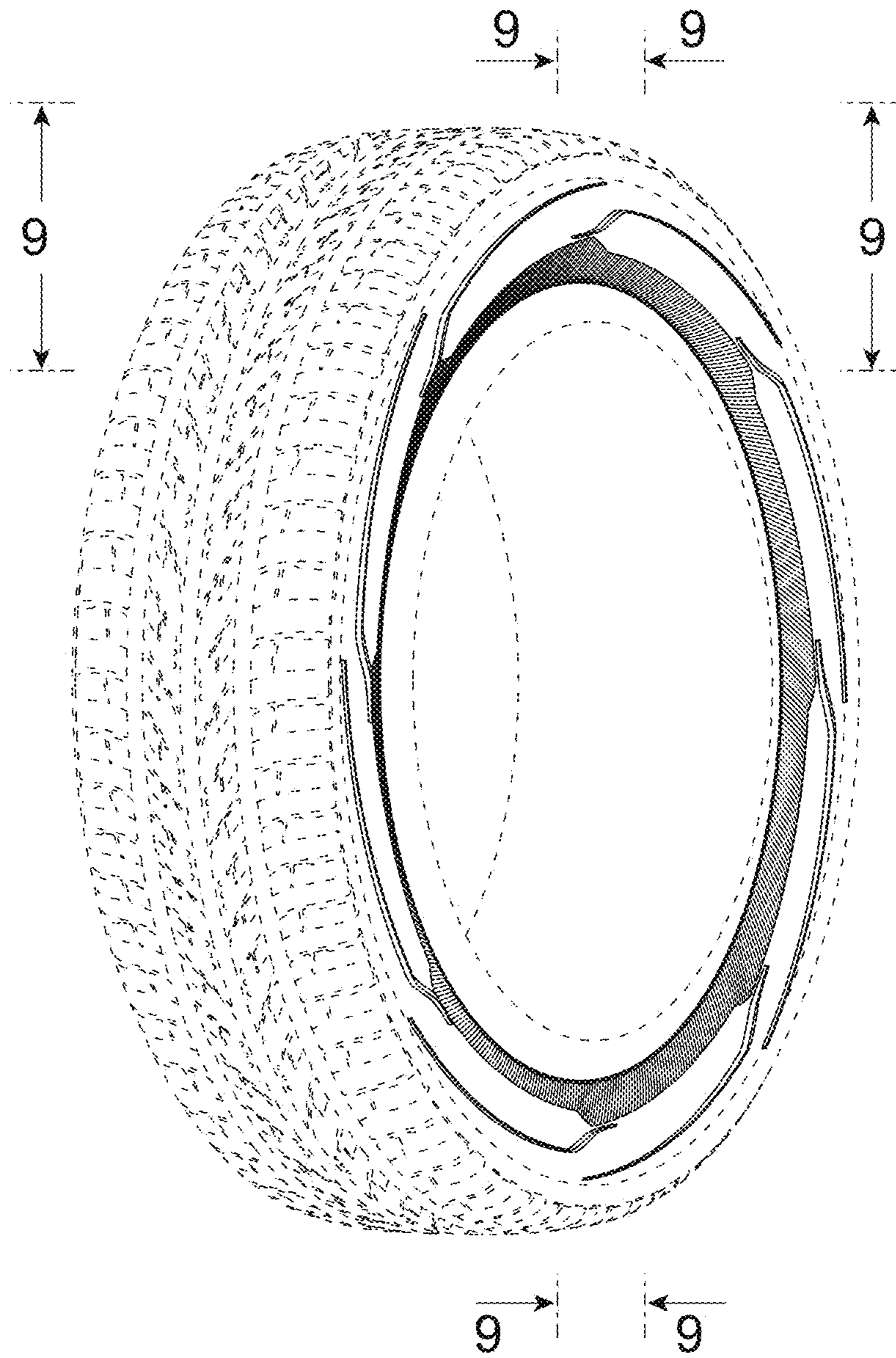
**References Cited**

U.S. PATENT DOCUMENTS

D792,340 S *	7/2017	Iwabuchi .....	D12/605
D806,643 S *	1/2018	Yasunaga .....	D12/605
D813,799 S *	3/2018	Maxwell .....	D12/605
D853,953 S *	7/2019	Kamada .....	D12/605
D855,014 S *	7/2019	Kamada .....	D12/605

\* cited by examiner

**FIG. 1**



**FIG. 2**

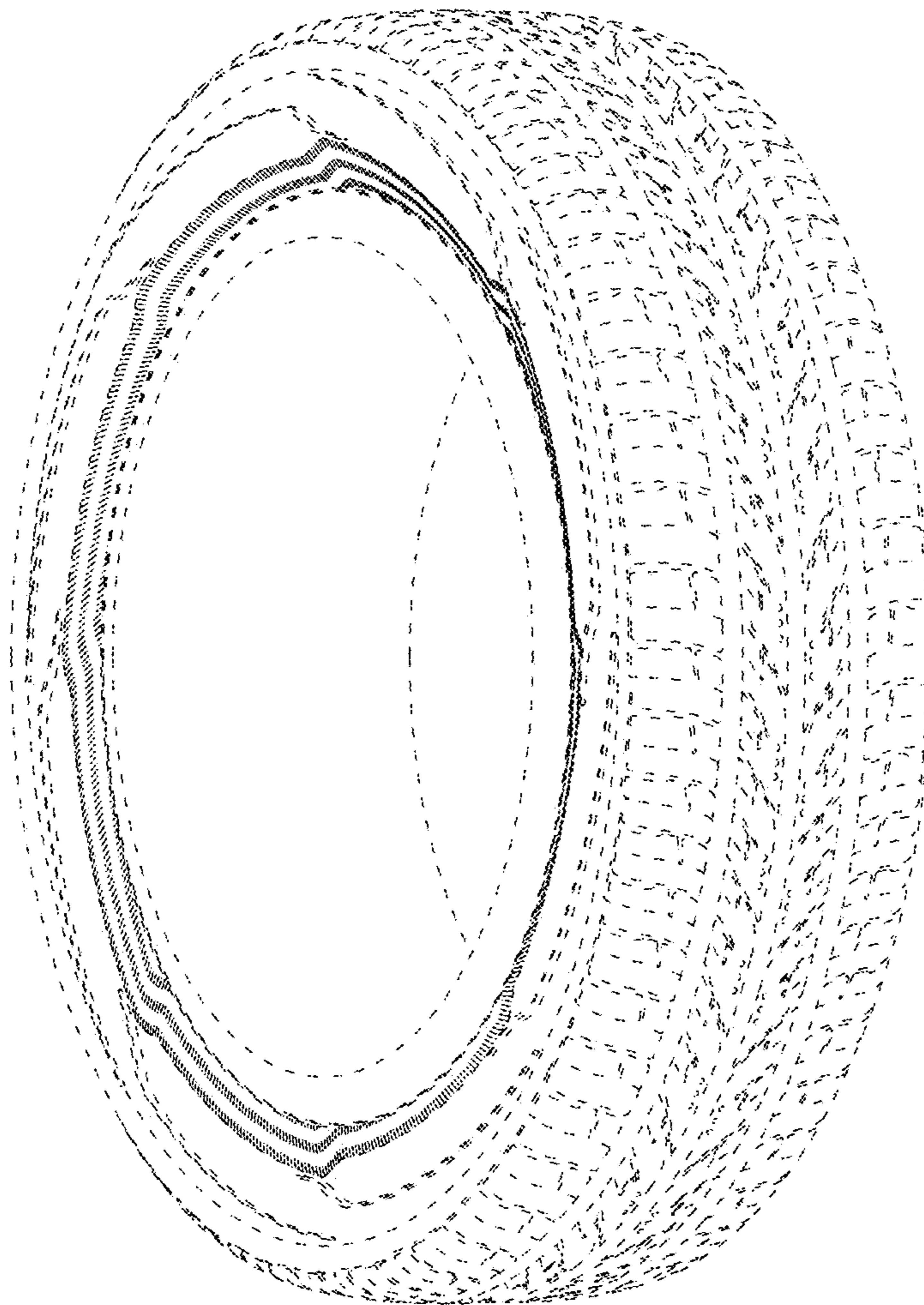
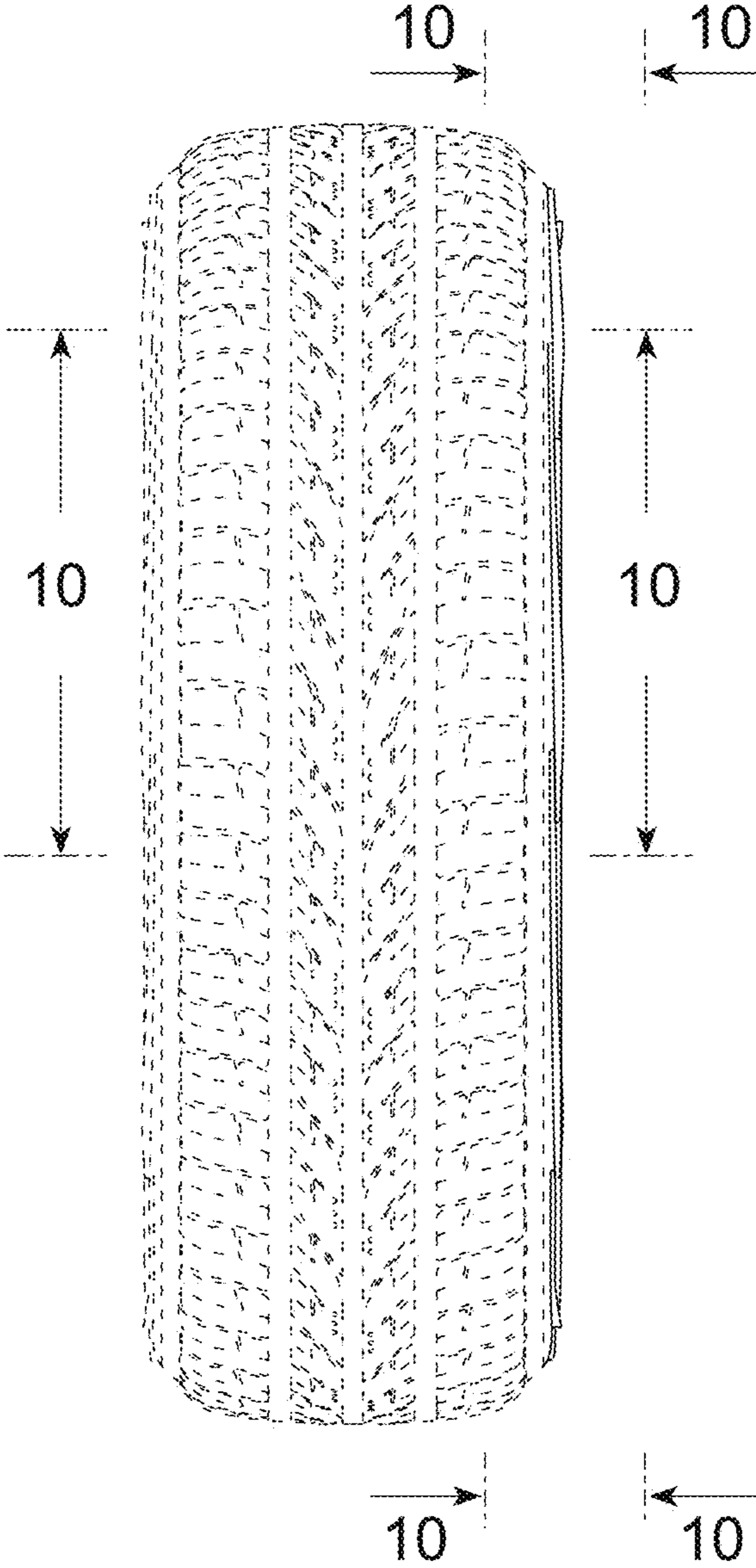


FIG. 3



**FIG. 4**

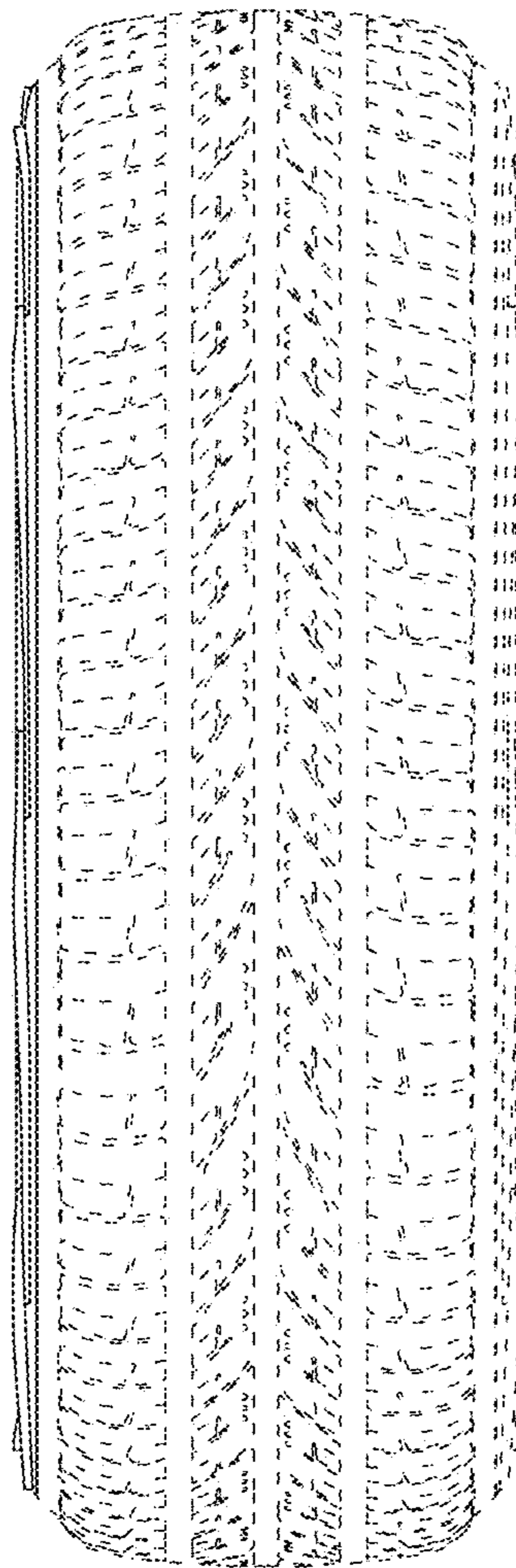
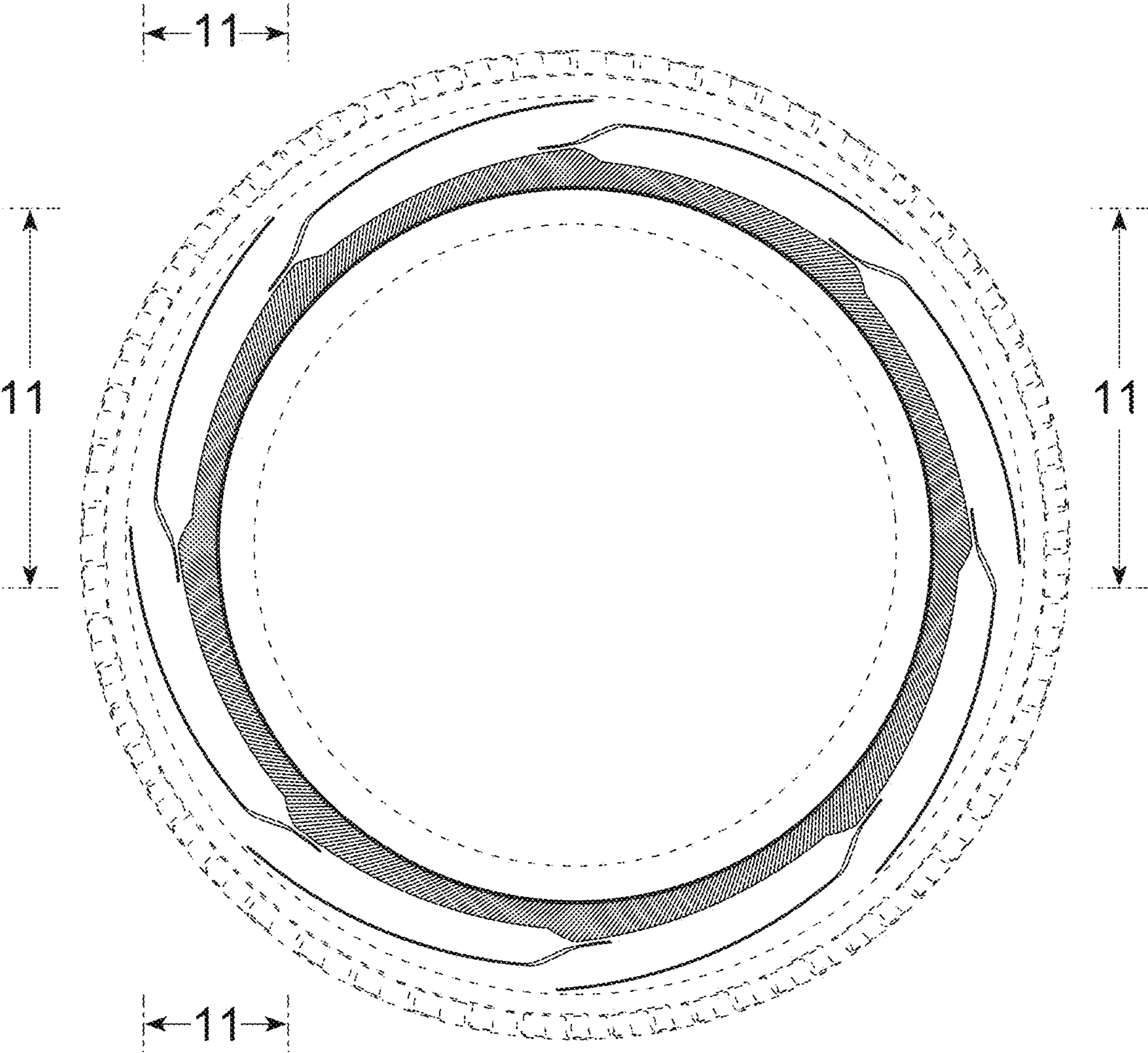
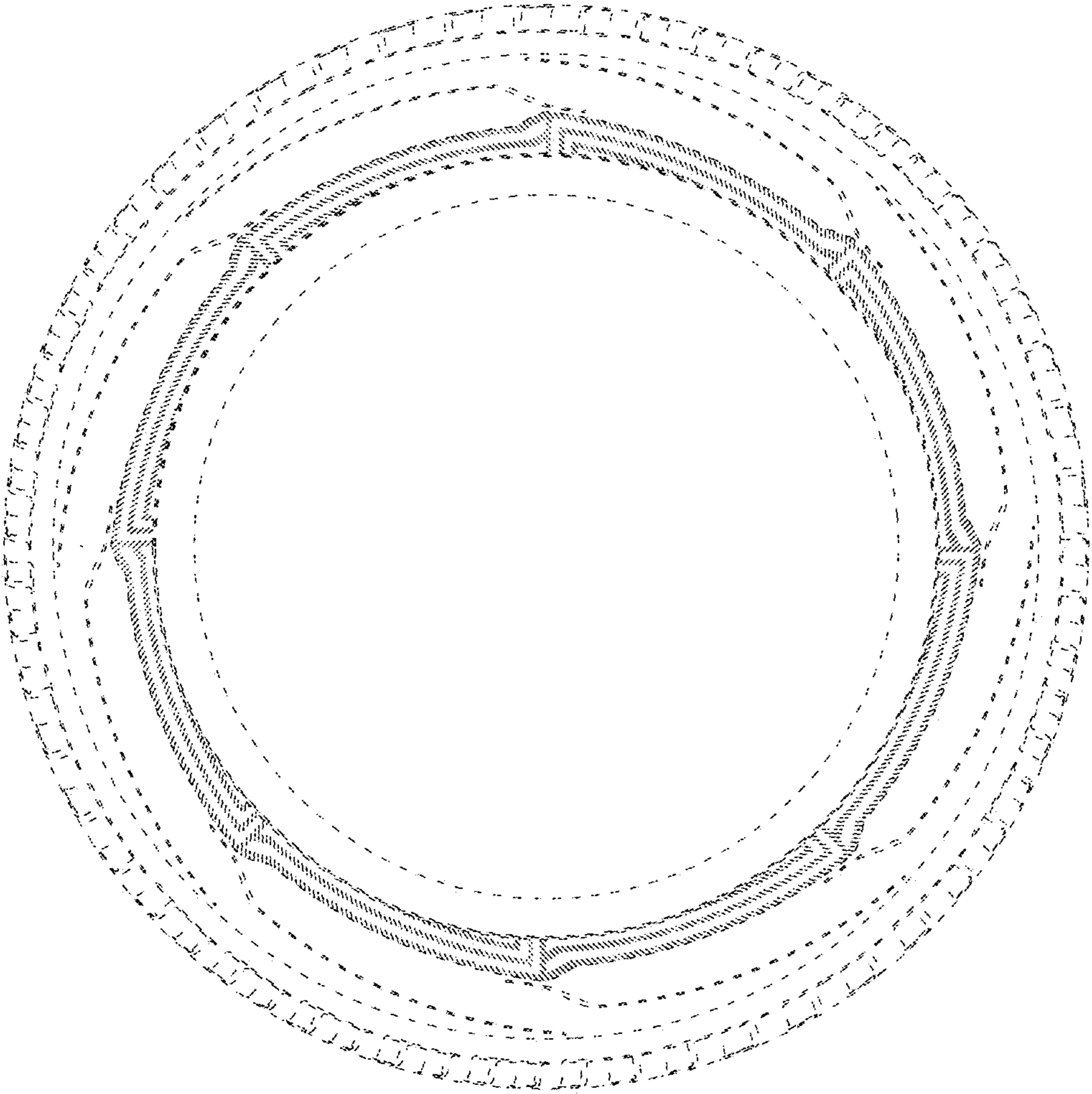


FIG. 5

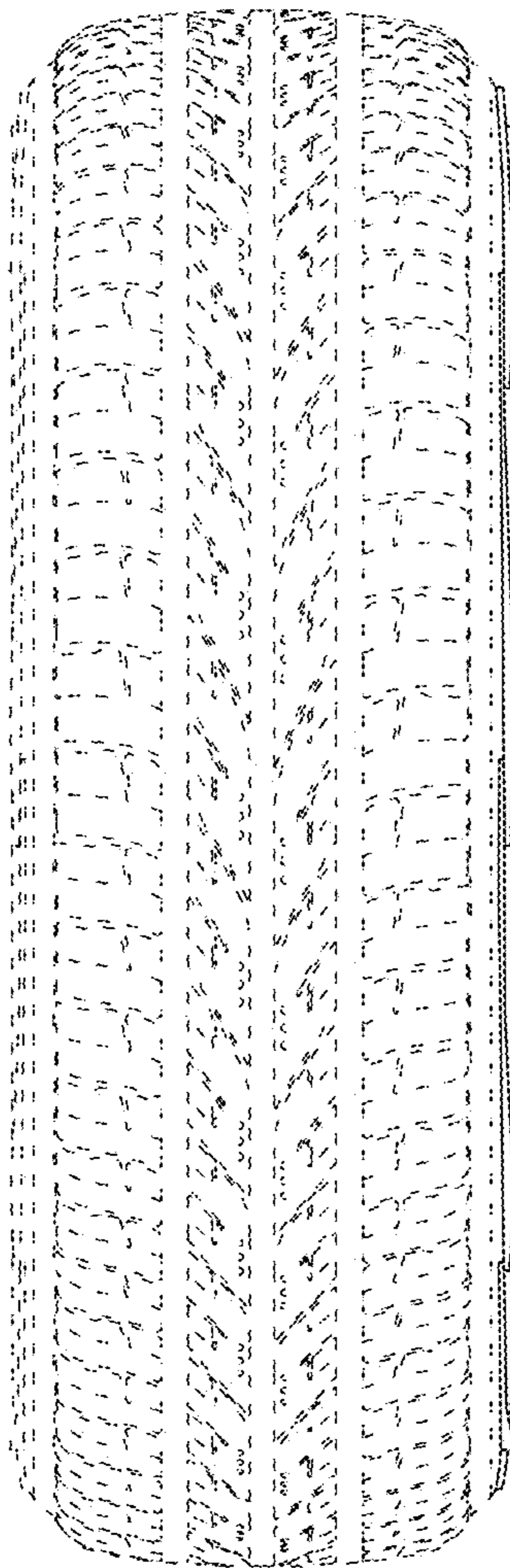


**FIG. 6**

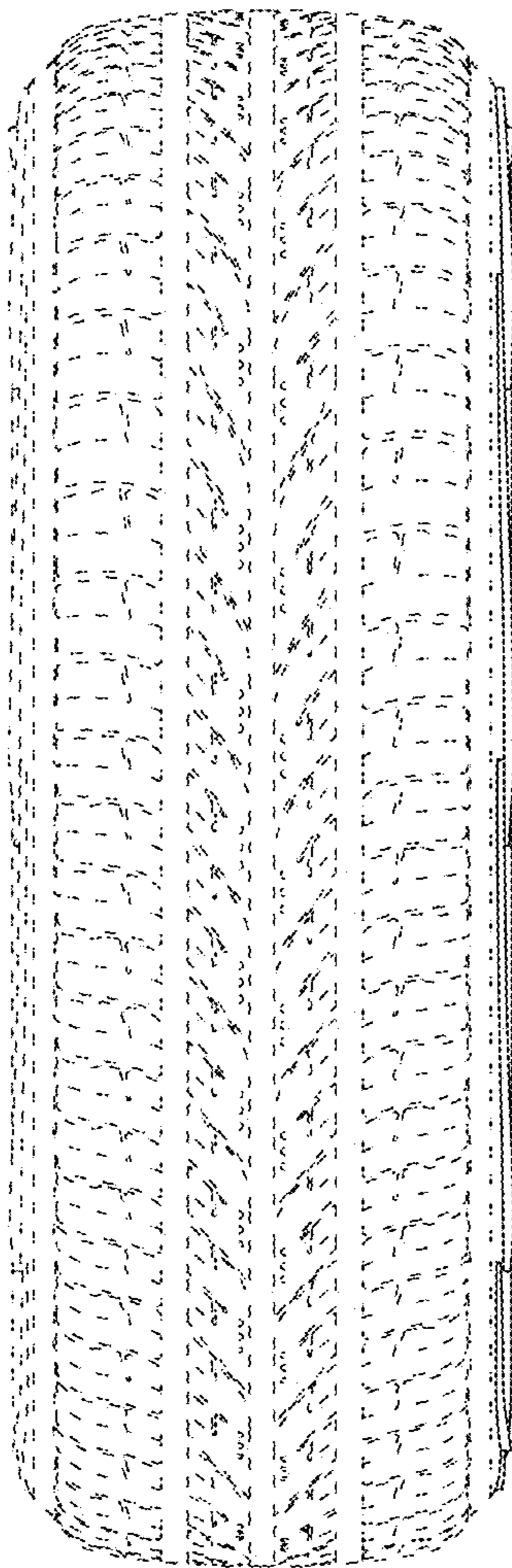




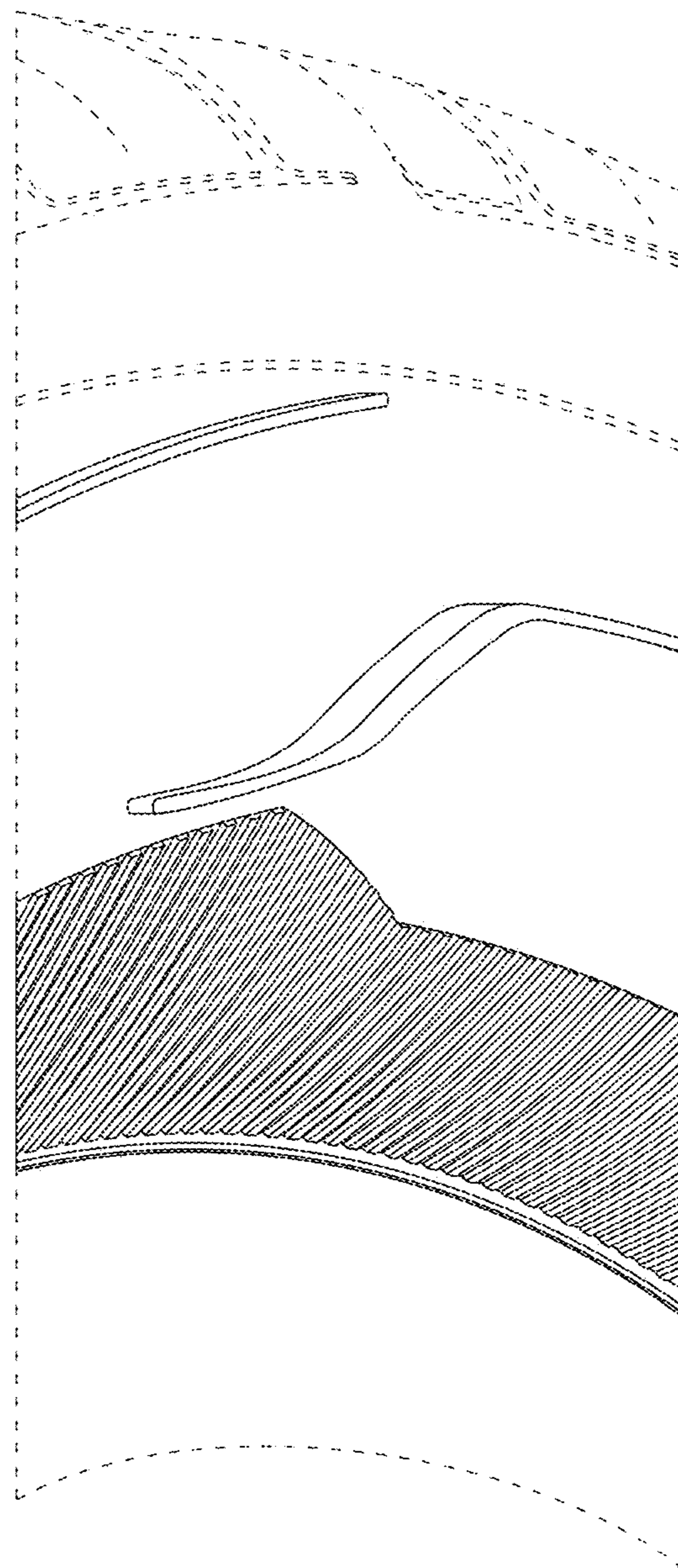
**FIG. 7**



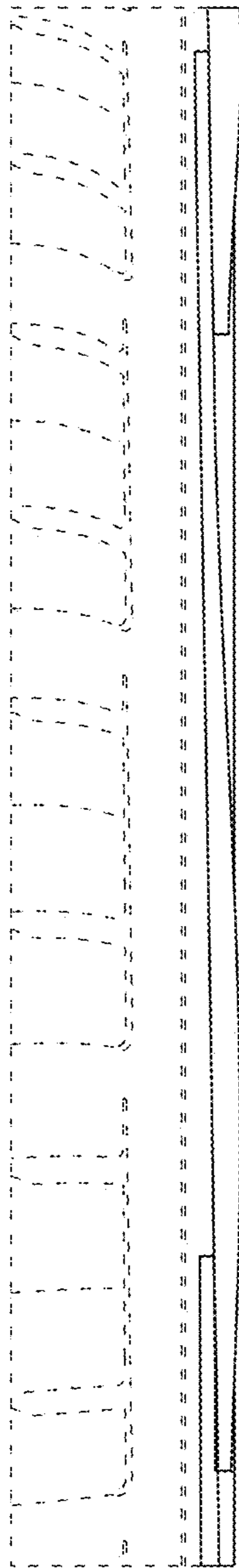
**FIG. 8**



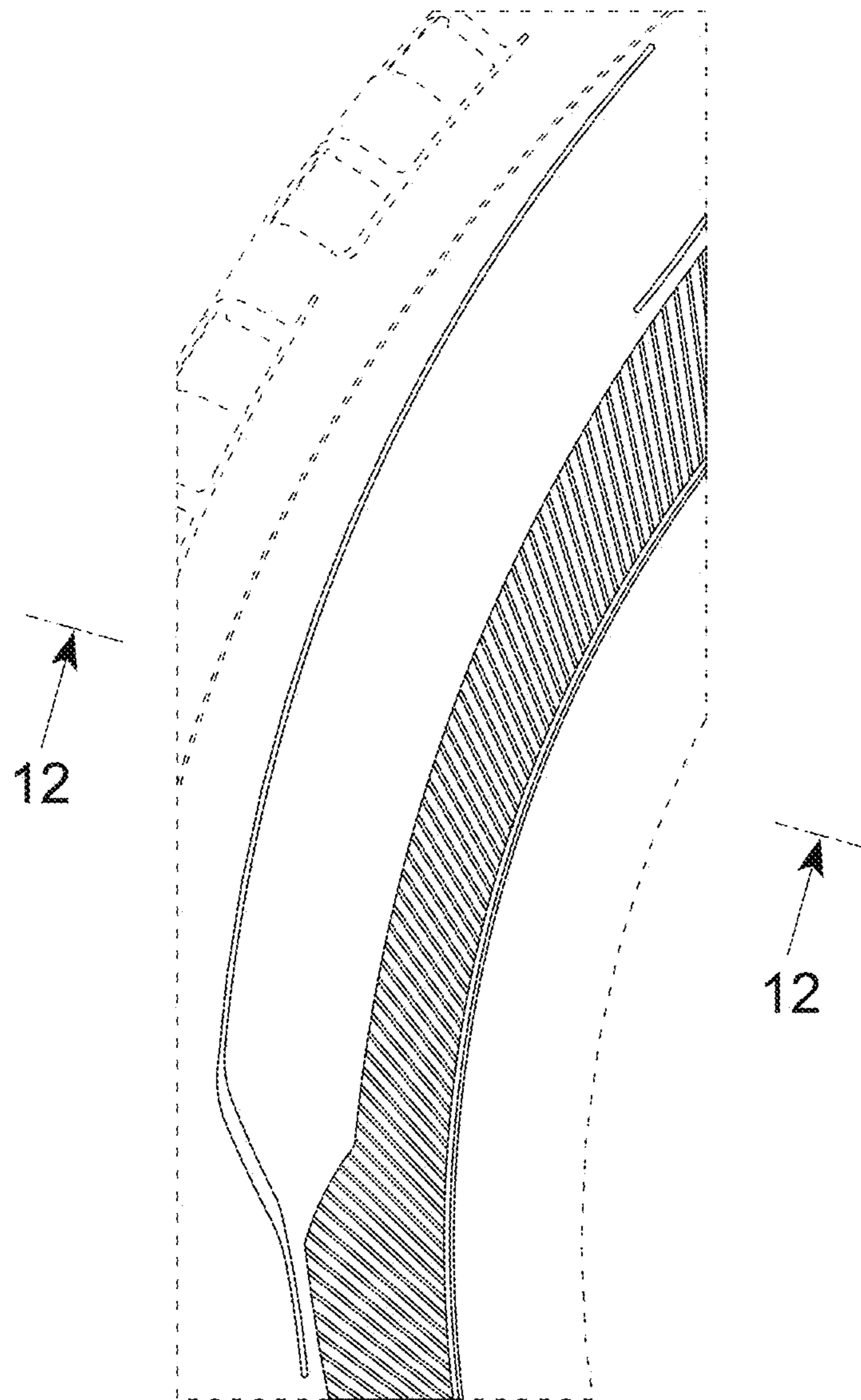
**FIG. 9**



**FIG. 10**



**FIG. 11**



**FIG. 12**

