



US00D924786S

(12) **United States Design Patent**  
**Akashi**

(10) **Patent No.:** **US D924,786 S**

(45) **Date of Patent:** **\*\* Jul. 13, 2021**

(54) **AUTOMOBILE TIRE**

(71) Applicant: **THE YOKOHAMA RUBBER CO., LTD.**, Tokyo (JP)

(72) Inventor: **Yasutaka Akashi**, Hiratsuka (JP)

(73) Assignee: **THE YOKOHAMA RUBBER CO., LTD.**, Tokyo (JP)

(\*\*) Term: **15 Years**

(21) Appl. No.: **29/733,260**

(22) Filed: **Apr. 30, 2020**

(51) **LOC (13) Cl.** ..... **12-15**

(52) **U.S. Cl.**  
USPC ..... **D12/521**

(58) **Field of Classification Search**  
USPC ..... D12/500-532, 604  
CPC ..... Y10T 152/10027; B60C 1/0016; B60C 11/0306; B60C 11/0302; B60C 3/06; B60C 9/17

See application file for complete search history.

(56) **References Cited**

**U.S. PATENT DOCUMENTS**

D713,325 S *	9/2014	Maxwell	.....	D12/521
D816,588 S *	5/2018	Kwak	.....	D12/521
D830,955 S *	10/2018	Yamaoka	.....	D12/588
D830,956 S *	10/2018	Mishima	.....	D12/521
D845,876 S *	4/2019	Youn	.....	D12/523
D847,726 S *	5/2019	Maggelet	.....	D12/521
D869,383 S *	12/2019	Basl	.....	D12/521
D879,016 S *	3/2020	Liu	.....	D12/521
D887,341 S *	6/2020	Tsunekawa	.....	D12/521

D887,955 S *	6/2020	Tsunekawa	.....	D12/521
D888,654 S *	6/2020	Endo	.....	D12/604
D889,390 S *	7/2020	Endo	.....	D12/604
2012/0298269 A1 *	11/2012	Mathonet	.....	B60C 11/0306 152/209.16

\* cited by examiner

*Primary Examiner* — John A Voytek

(74) *Attorney, Agent, or Firm* — Banner & Witcoff, Ltd.

(57) **CLAIM**

The ornamental design for an automobile tire, as shown and described.

**DESCRIPTION**

FIG. 1 is a first perspective view of an automobile tire showing my design according to a First Embodiment  
 FIG. 2 is a second perspective view thereof;  
 FIG. 3 is a front view thereof;  
 FIG. 4 is a rear view thereof;  
 FIG. 5 is a right side view thereof;  
 FIG. 6 is a left side view thereof;  
 FIG. 7 is a top view thereof;  
 FIG. 8 is a bottom view thereof;  
 FIG. 9 is a partially enlarged view of a portion defined by lines 9-9 shown in FIG. 1;  
 FIG. 10 is a partially enlarged view of a portion defined by lines 10-10 shown in FIG. 2;  
 FIG. 11 is a partially enlarged view of a portion defined by lines 11-11 shown in FIG. 3; and,  
 FIG. 12 is a cross sectional view of a portion defined by lines 12-12 shown in FIG. 1.

In the drawings, the broken lines depict environmental subject matter only and form no part of the claimed design.

**1 Claim, 12 Drawing Sheets**

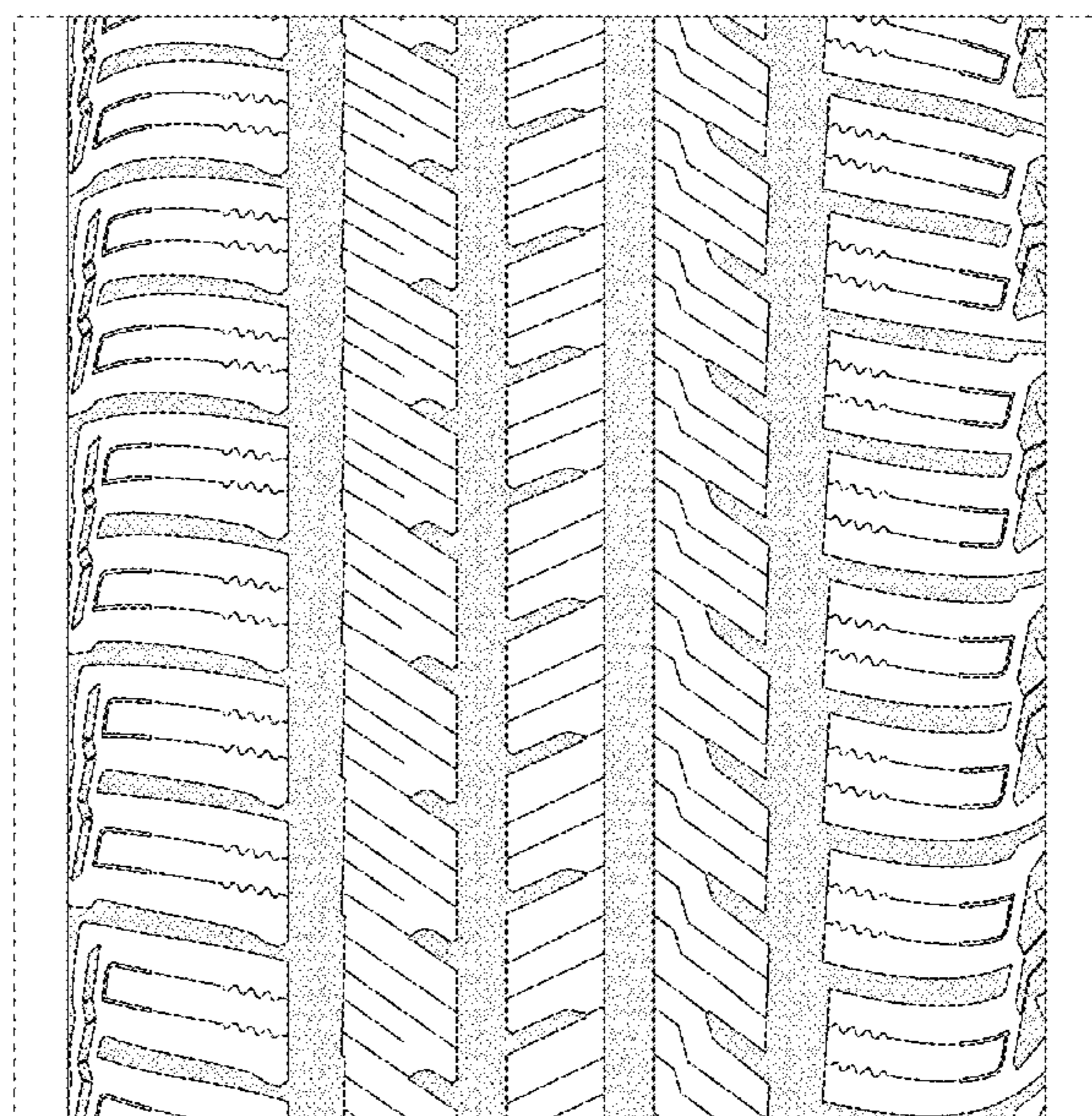
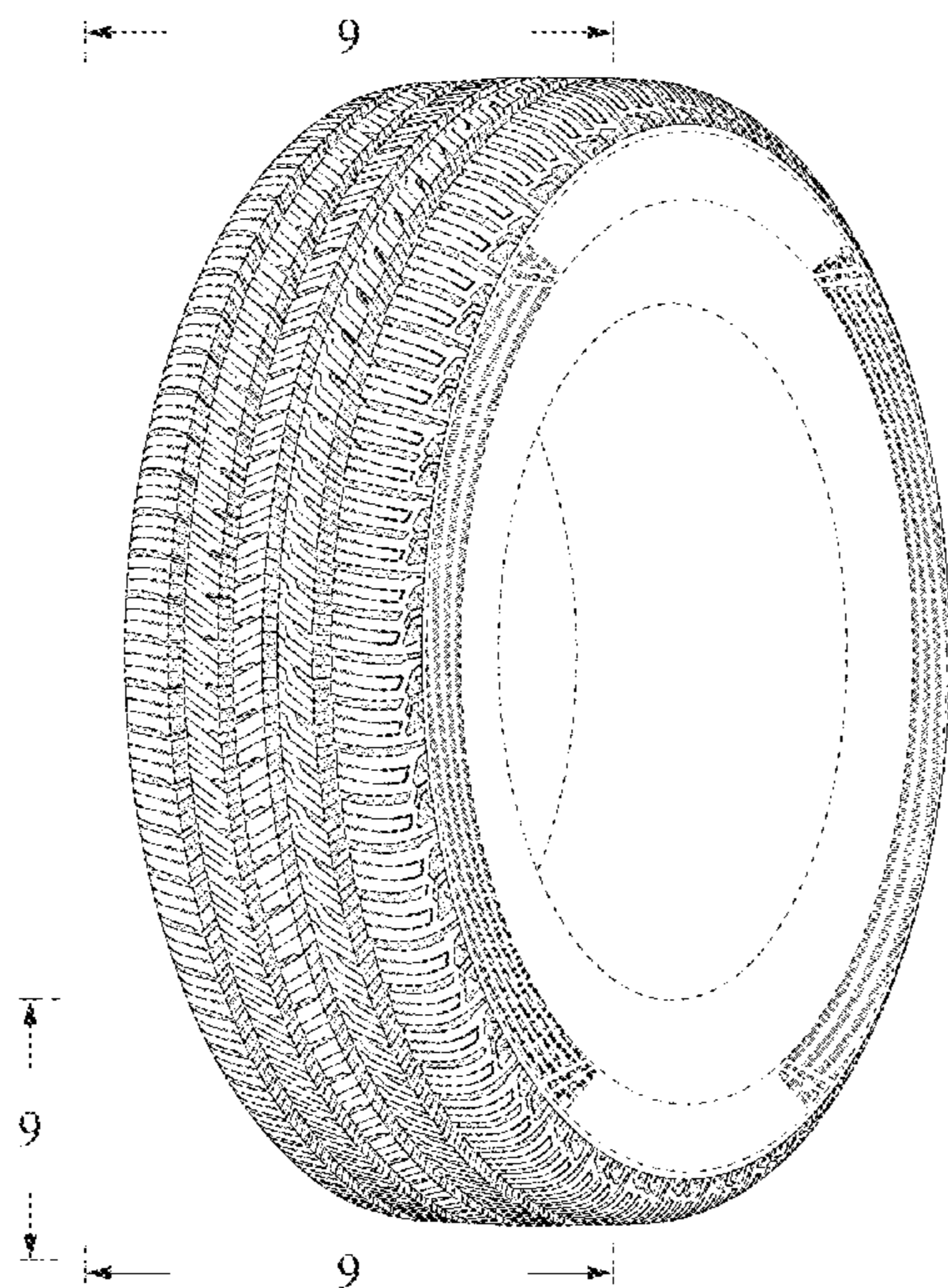




FIG. 1

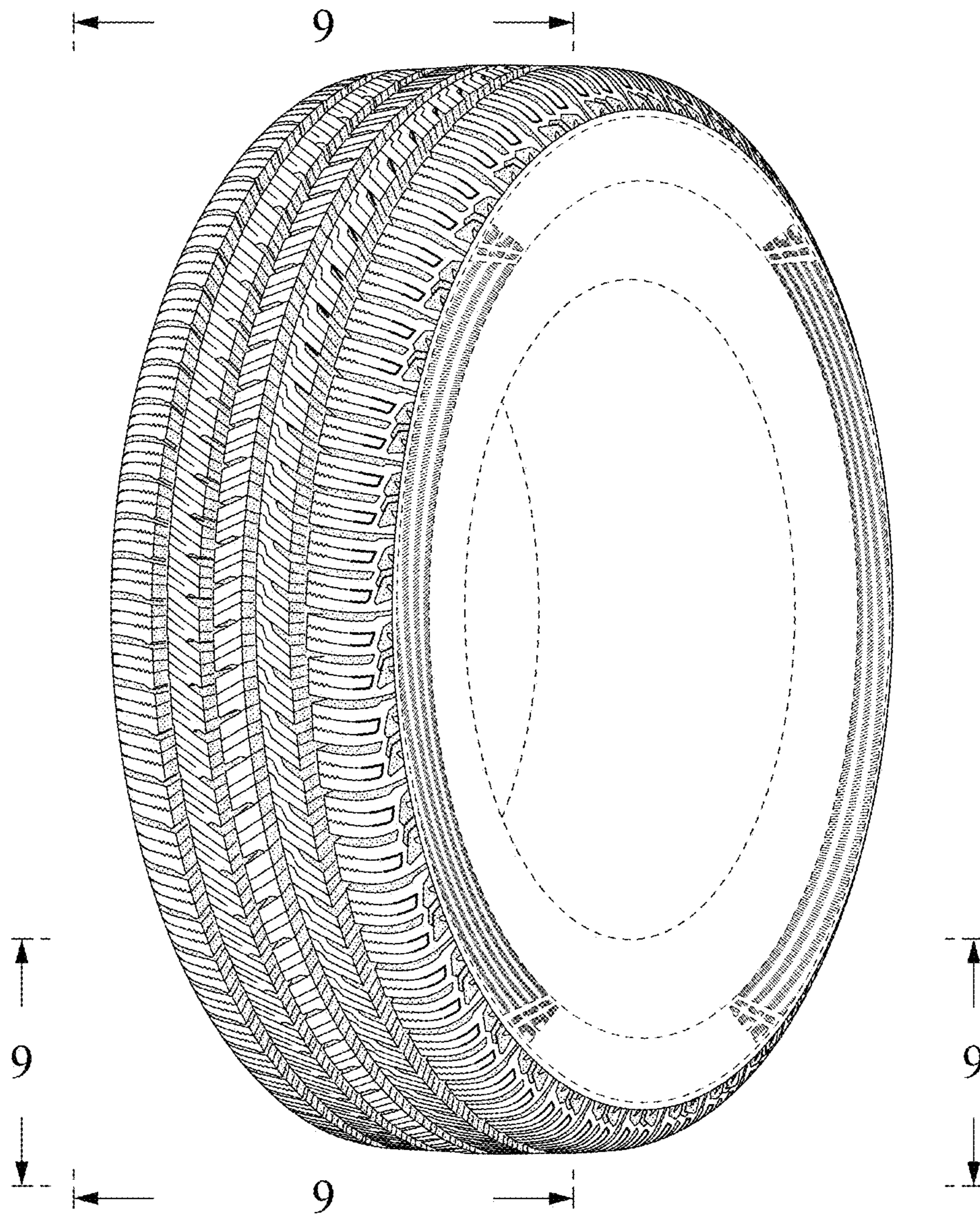
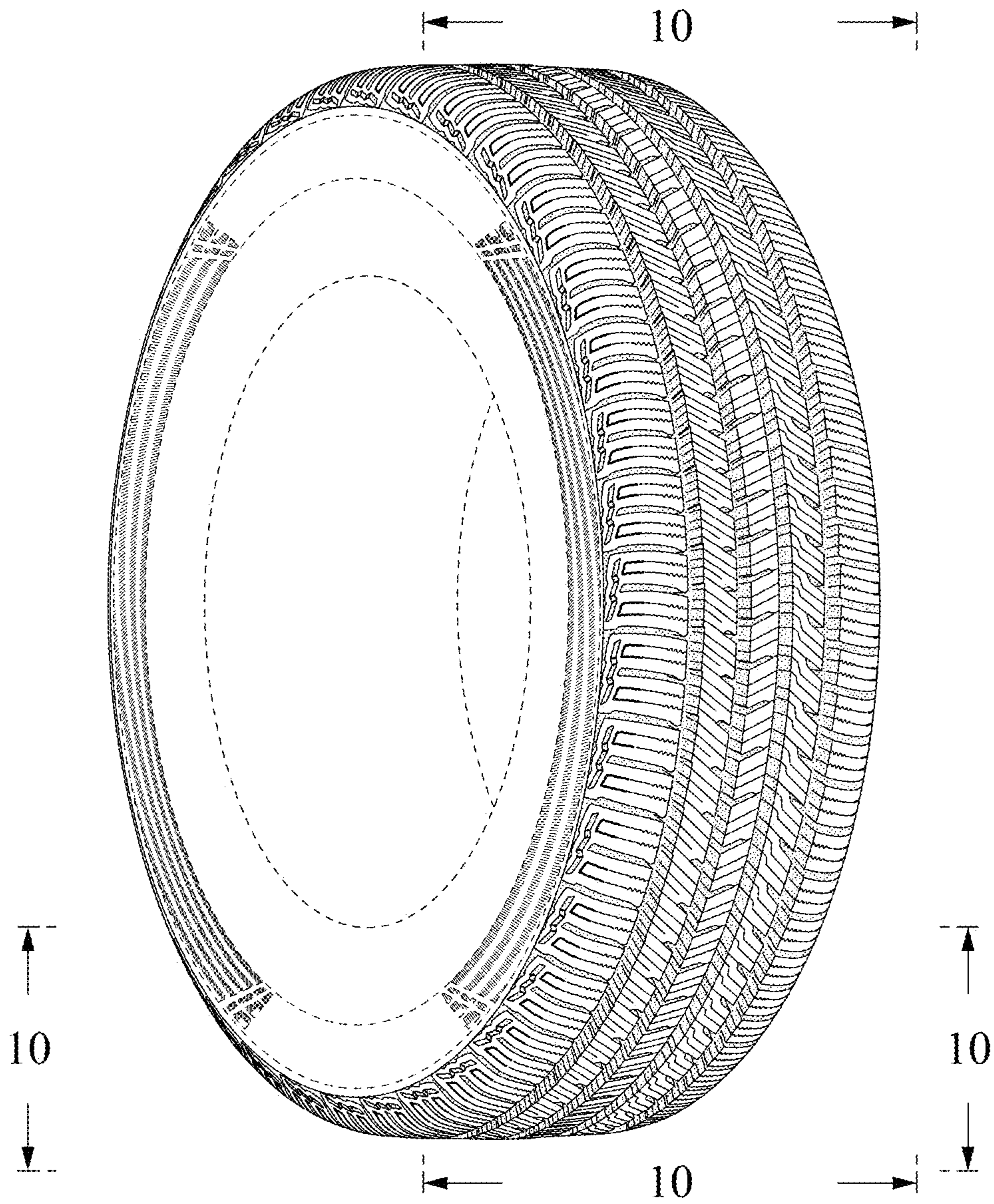
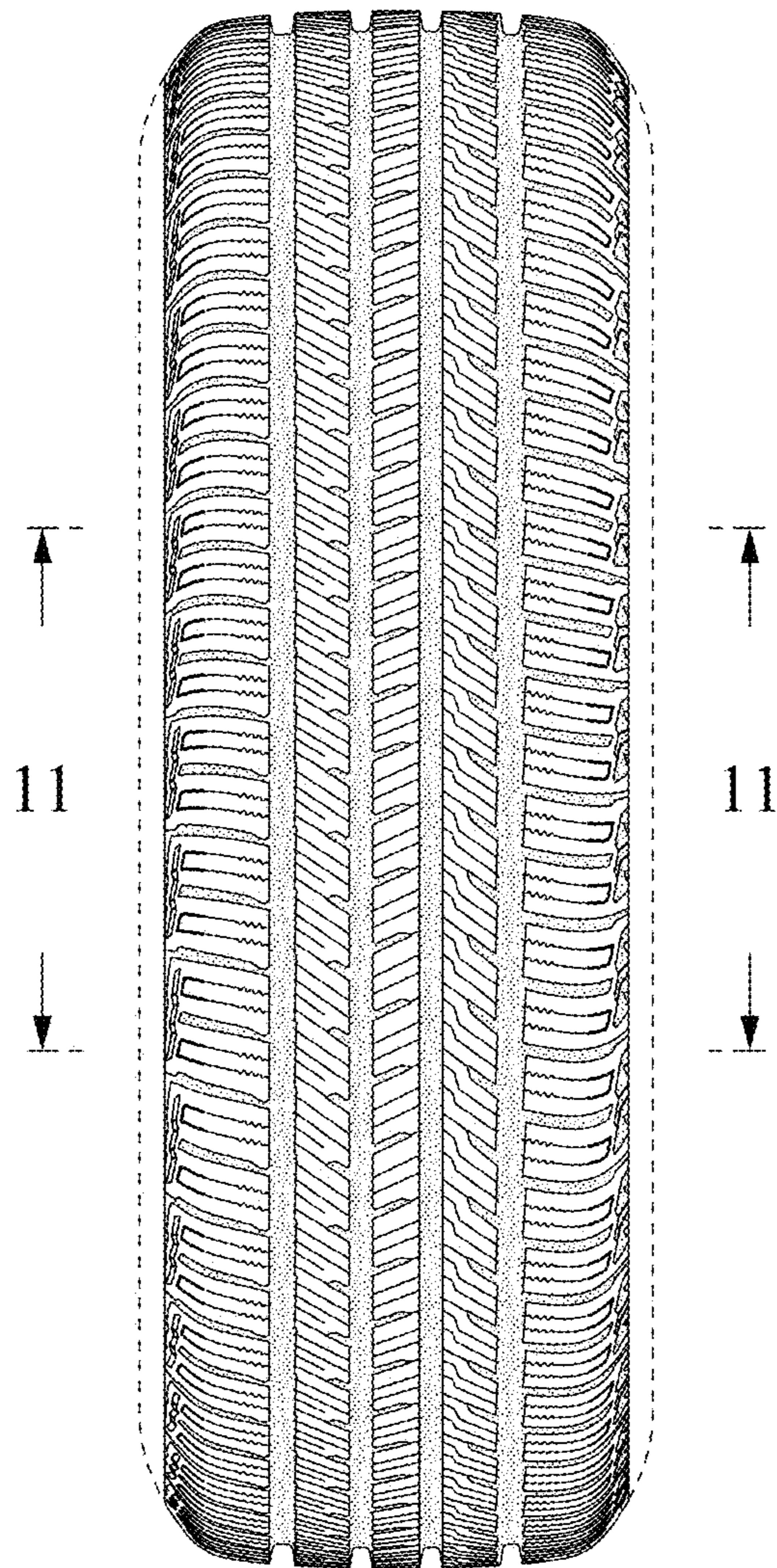




FIG. 2

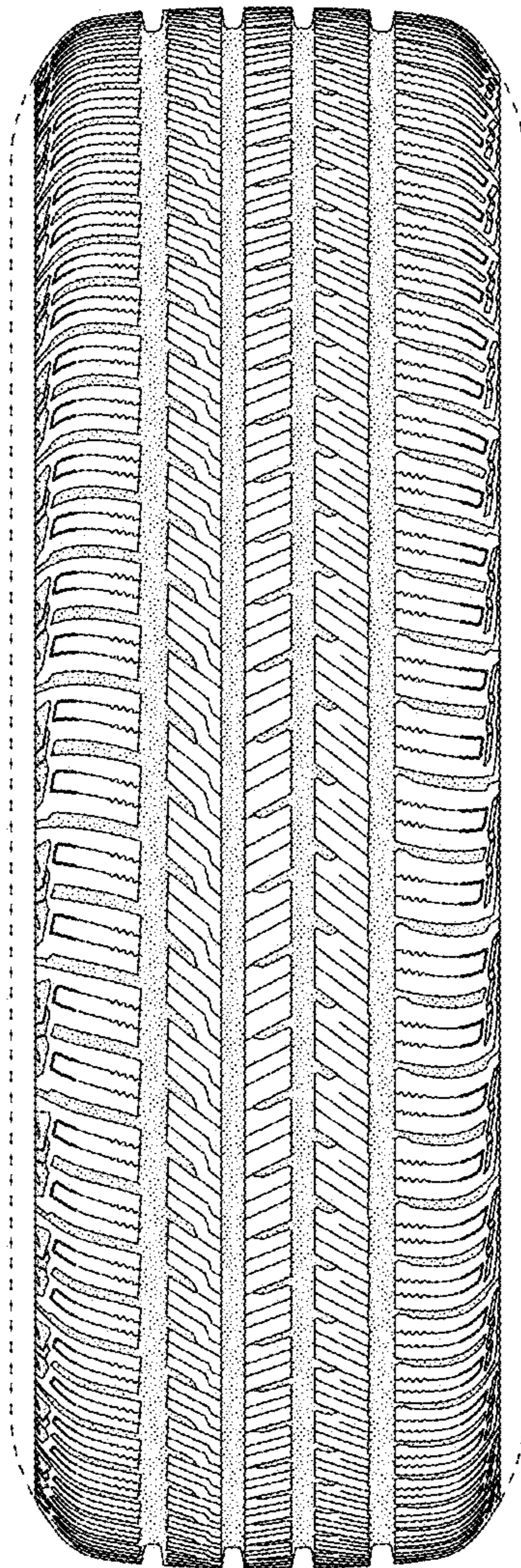


**FIG. 3**





**FIG. 4**



**FIG. 5**

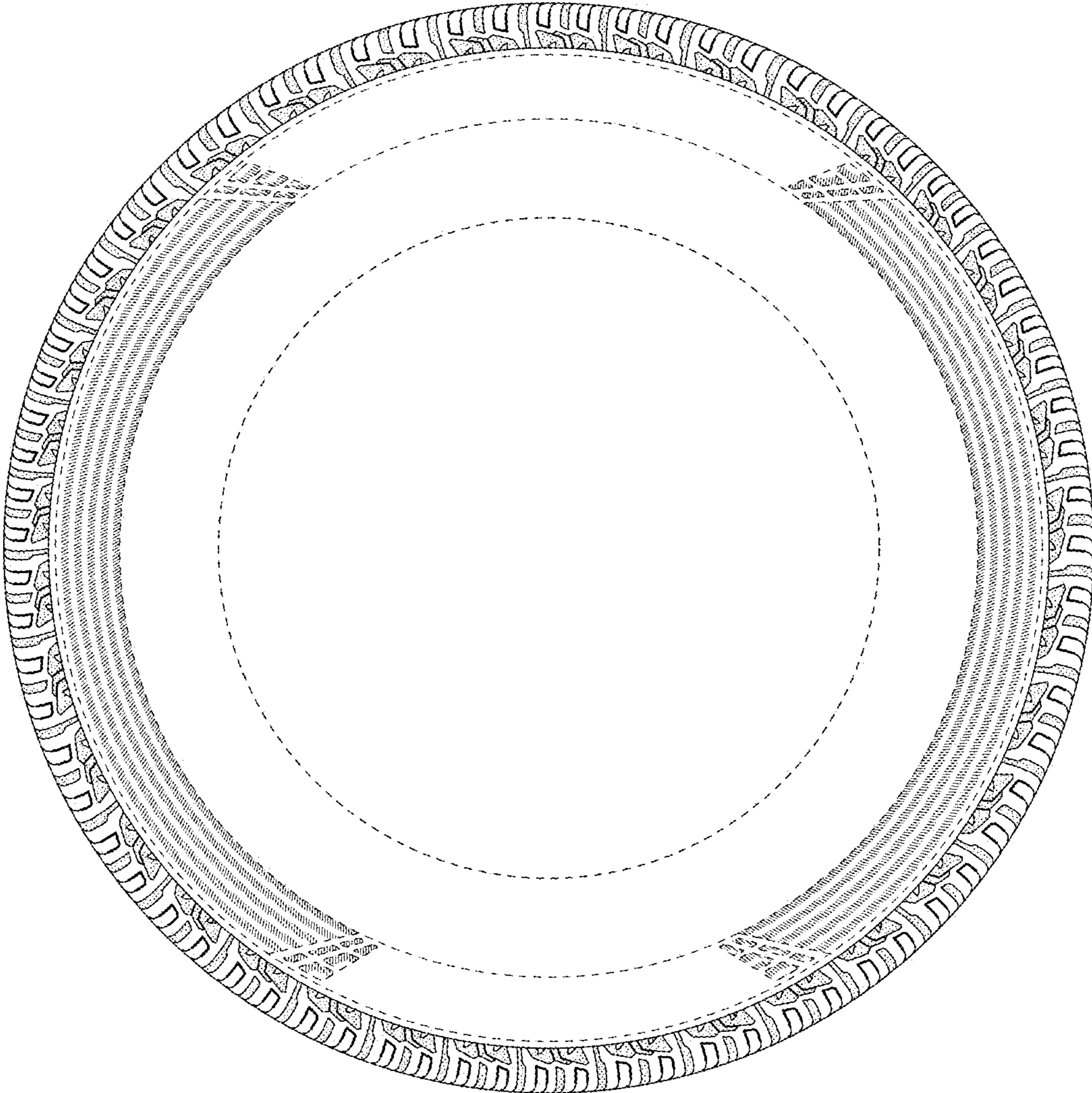
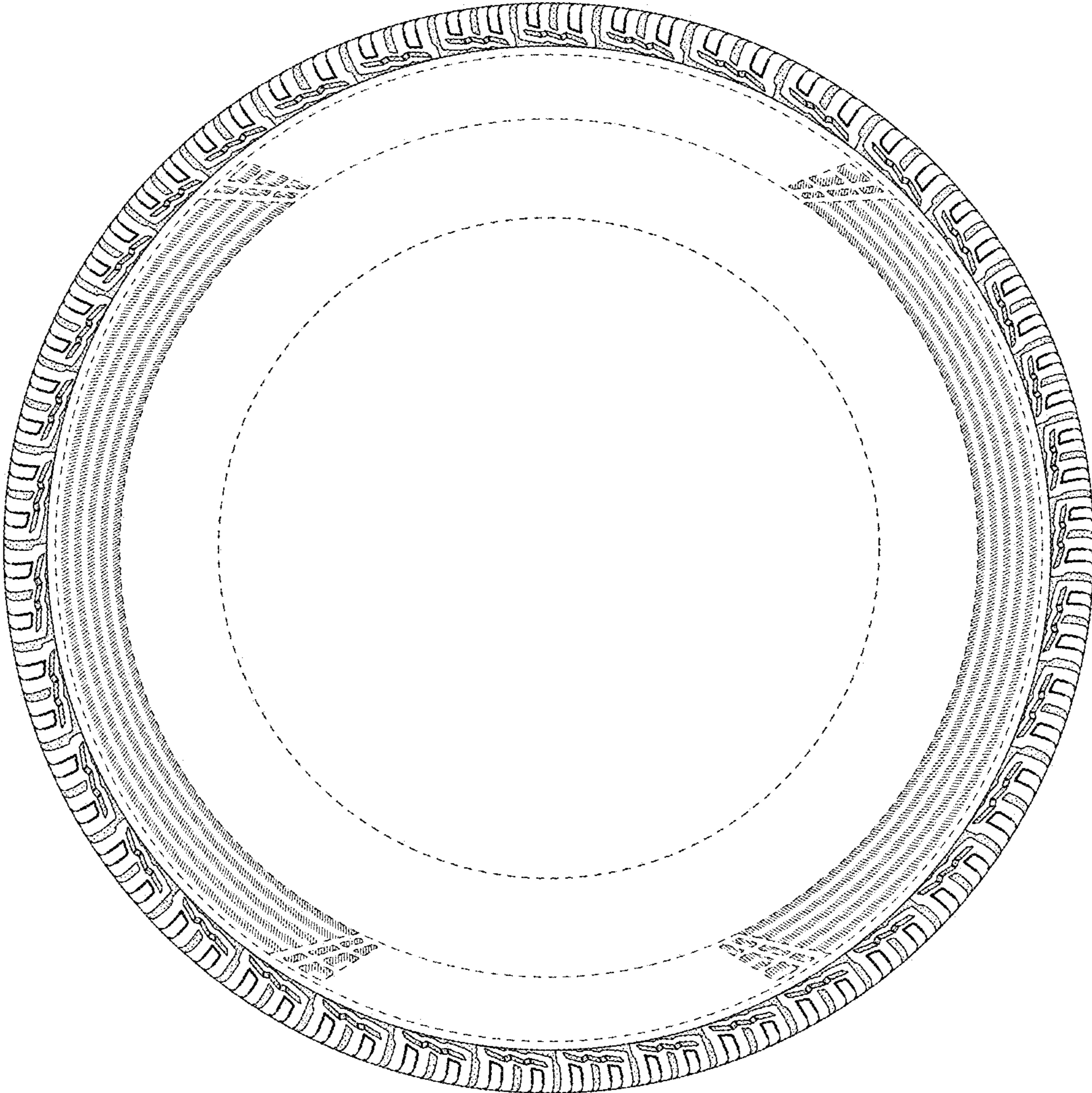
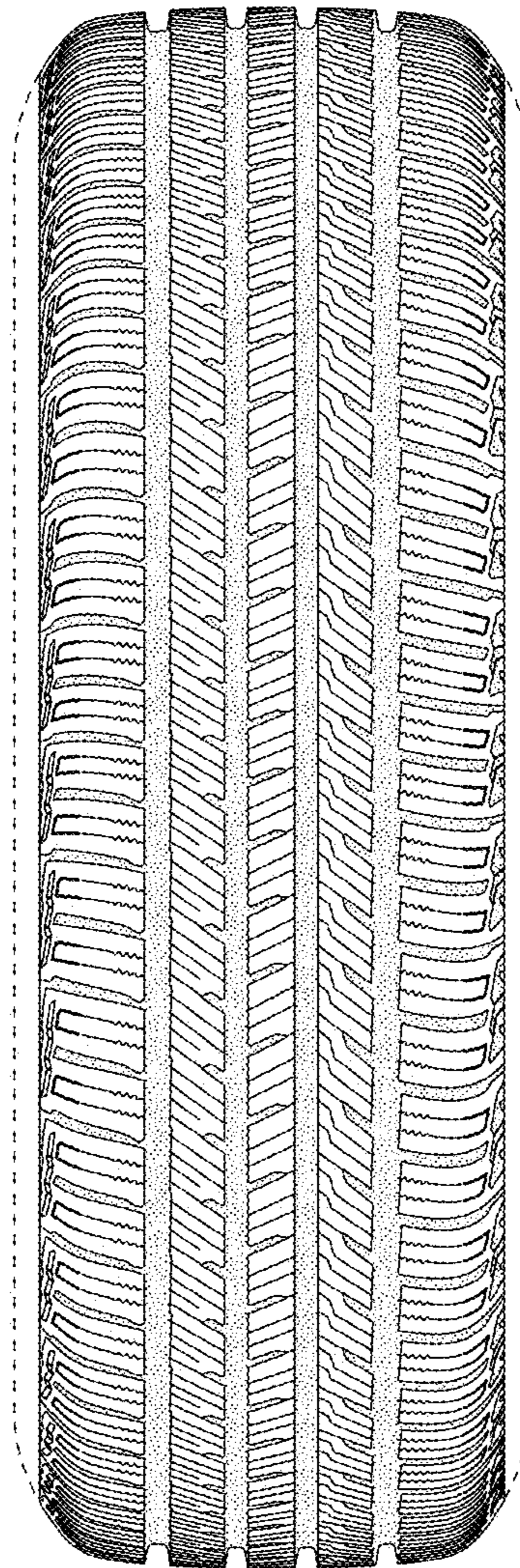




FIG. 6

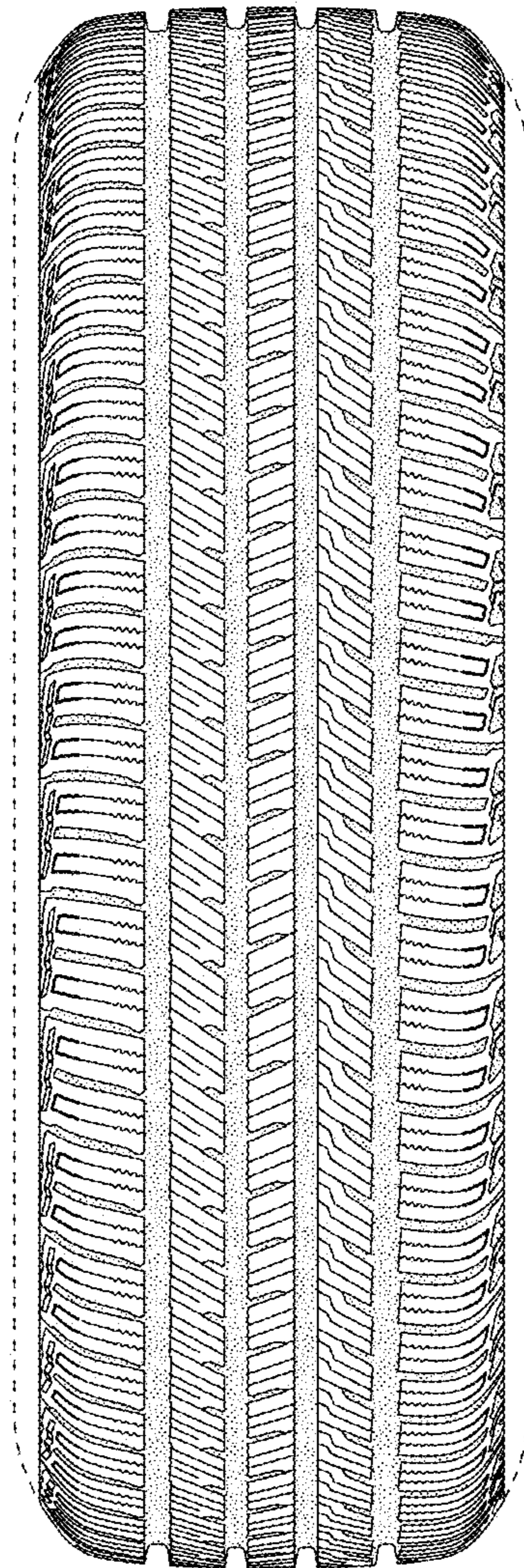


**FIG. 7**

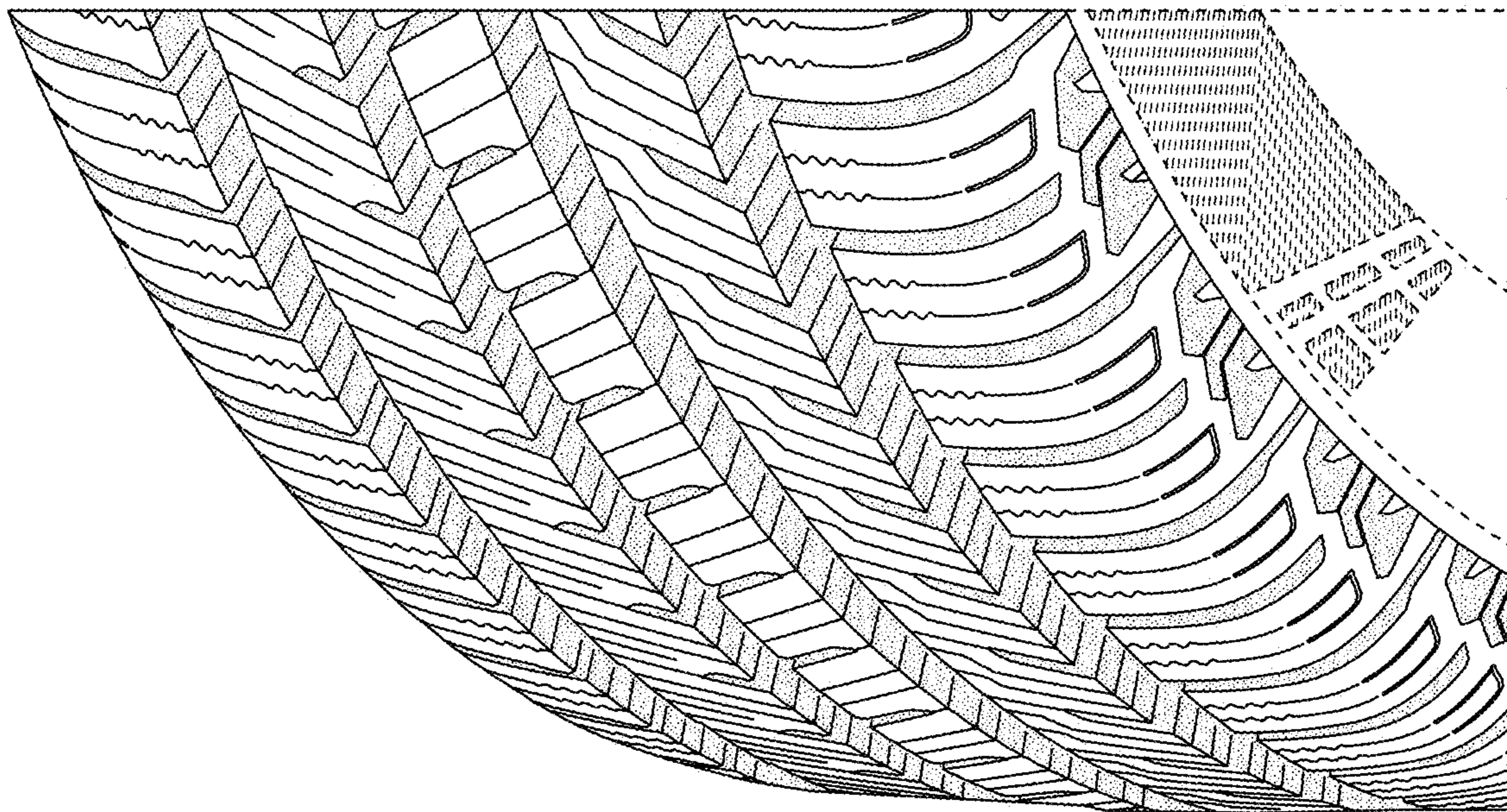




**FIG. 8**



**FIG. 9**





**FIG. 10**

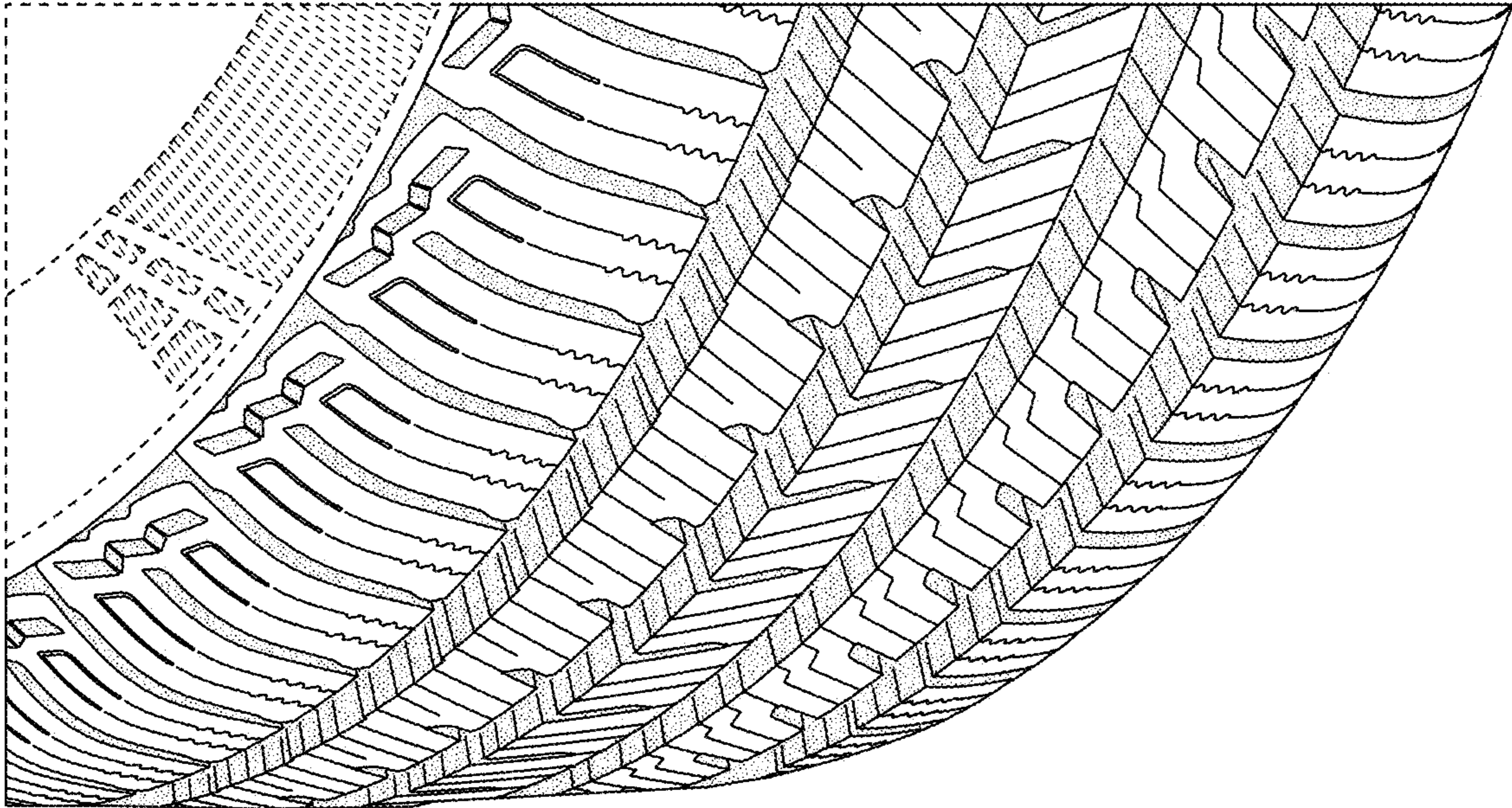
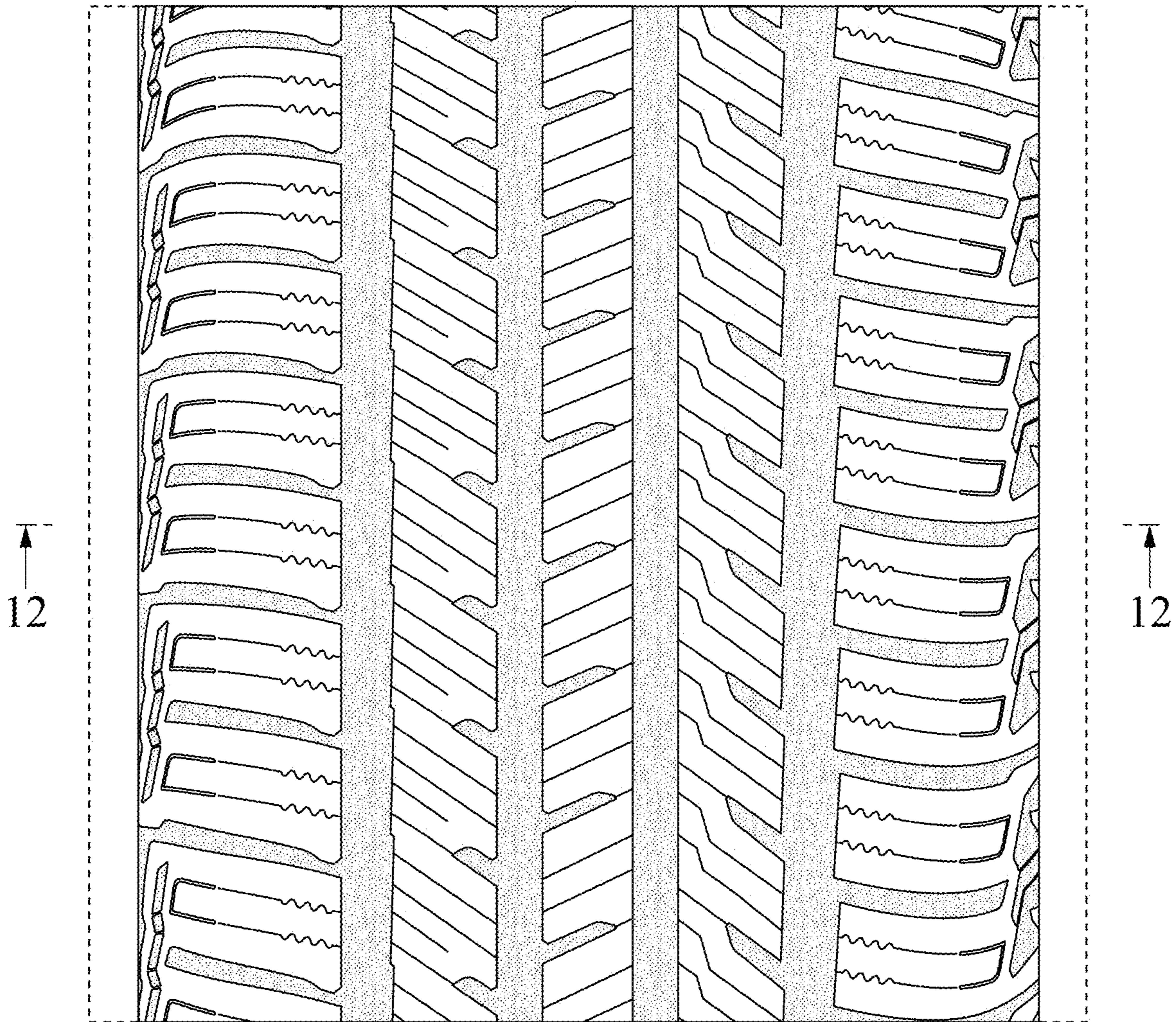




FIG. 11





**FIG. 12**

