



US00D924785S

(12) **United States Design Patent**  
**Mamo et al.**

(10) **Patent No.:** **US D924,785 S**  
(45) **Date of Patent:** **\*\* Jul. 13, 2021**

(54) **CARGO MANAGEMENT DEVICE**

(71) Applicant: **Auria Solutions UK I, Ltd.**

(72) Inventors: **Robert Mamo**, Northville, MI (US);  
**Gabriel B. Beck, Jr.**, North Canton,  
OH (US); **Alan Harrison**, Co Mayo  
(IE); **Ben Millett**, Co. Roscommon  
(IE); **Michael Culleton**, Co. Dublin  
(IE)

(73) Assignee: **AURIA SOLUTIONS UK I, LTD.**,  
London (GB)

(\*\*) Term: **15 Years**

(21) Appl. No.: **29/711,539**

(22) Filed: **Oct. 31, 2019**

(51) **LOC (13) Cl.** ..... **12-16**

(52) **U.S. Cl.**  
USPC ..... **D12/426**

(58) **Field of Classification Search**  
USPC .... D12/401-414, 414.1, 400, 406, 415-420,  
D12/426, 424-425; D6/610-611  
CPC .... B60R 9/00; B60R 9/02; B60R 9/04; B60R  
9/08; B60R 9/042; B60R 9/0423; B60R  
9/0426; B60R 9/045; B60R 9/048; B60R  
9/0485; B60R 9/05; B60R 9/052; B60R  
9/055; B60R 9/058; B60R 9/06; B60R  
9/065; B60R 9/10; B60R 9/12; B60P  
7/00; B60P 7/06; B60P 7/13; B60P 7/10;  
B63B 7/085

See application file for complete search history.

(56) **References Cited**

**U.S. PATENT DOCUMENTS**

D392,938 S \* 3/1998 Sylvester ..... D12/426  
D458,210 S \* 6/2002 Kanczuzewski ..... B60P 7/15  
D12/426

D547,715 S \* 7/2007 Faber ..... D12/426  
D738,809 S \* 9/2015 Thom ..... D12/426  
D756,291 S \* 5/2016 Masanek, Jr. .... D12/426

(Continued)

*Primary Examiner* — Abraham Bahta

(74) *Attorney, Agent, or Firm* — Steven J. Grossman;  
Grossman, Tucker, Perreault & Pflieger PLLC

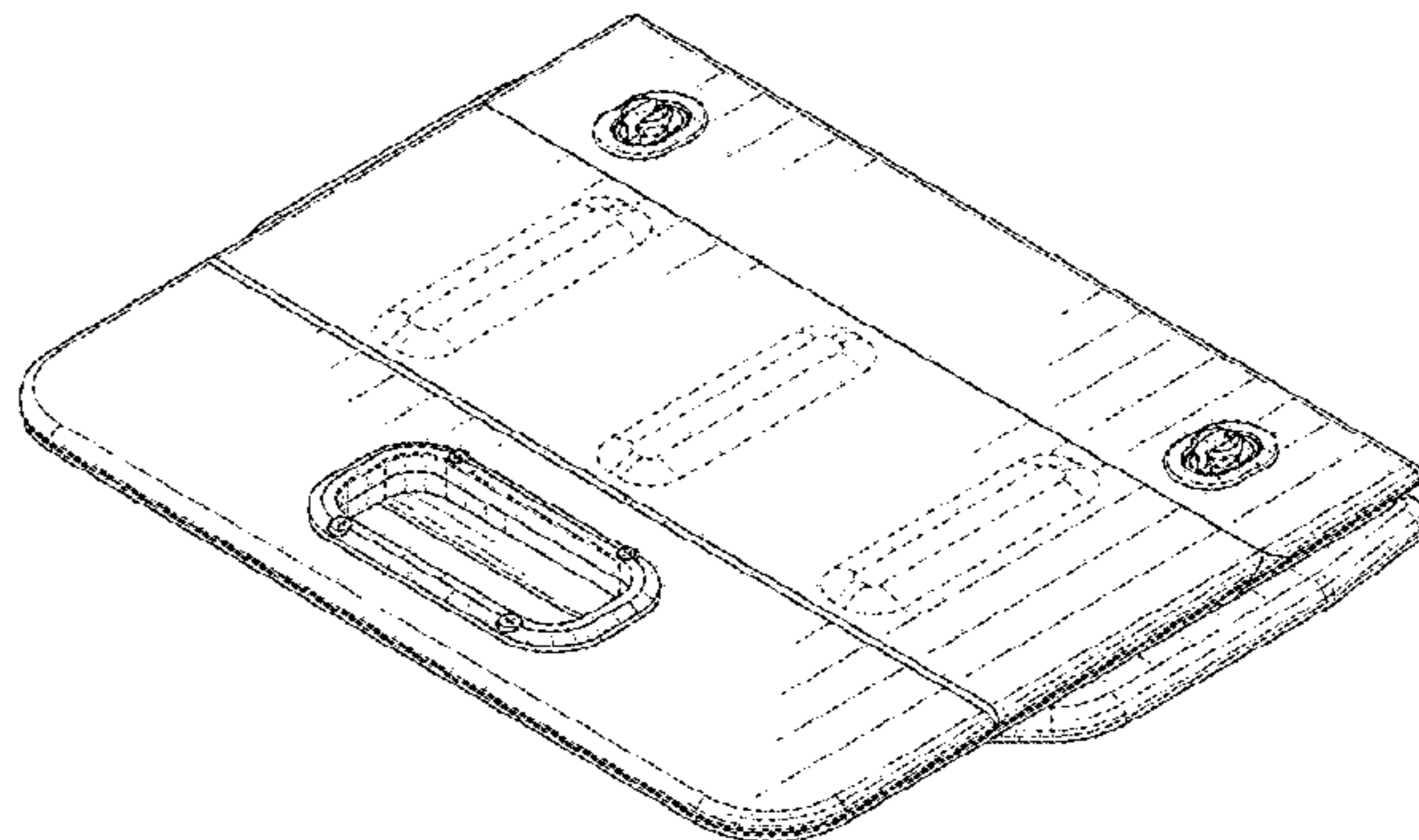
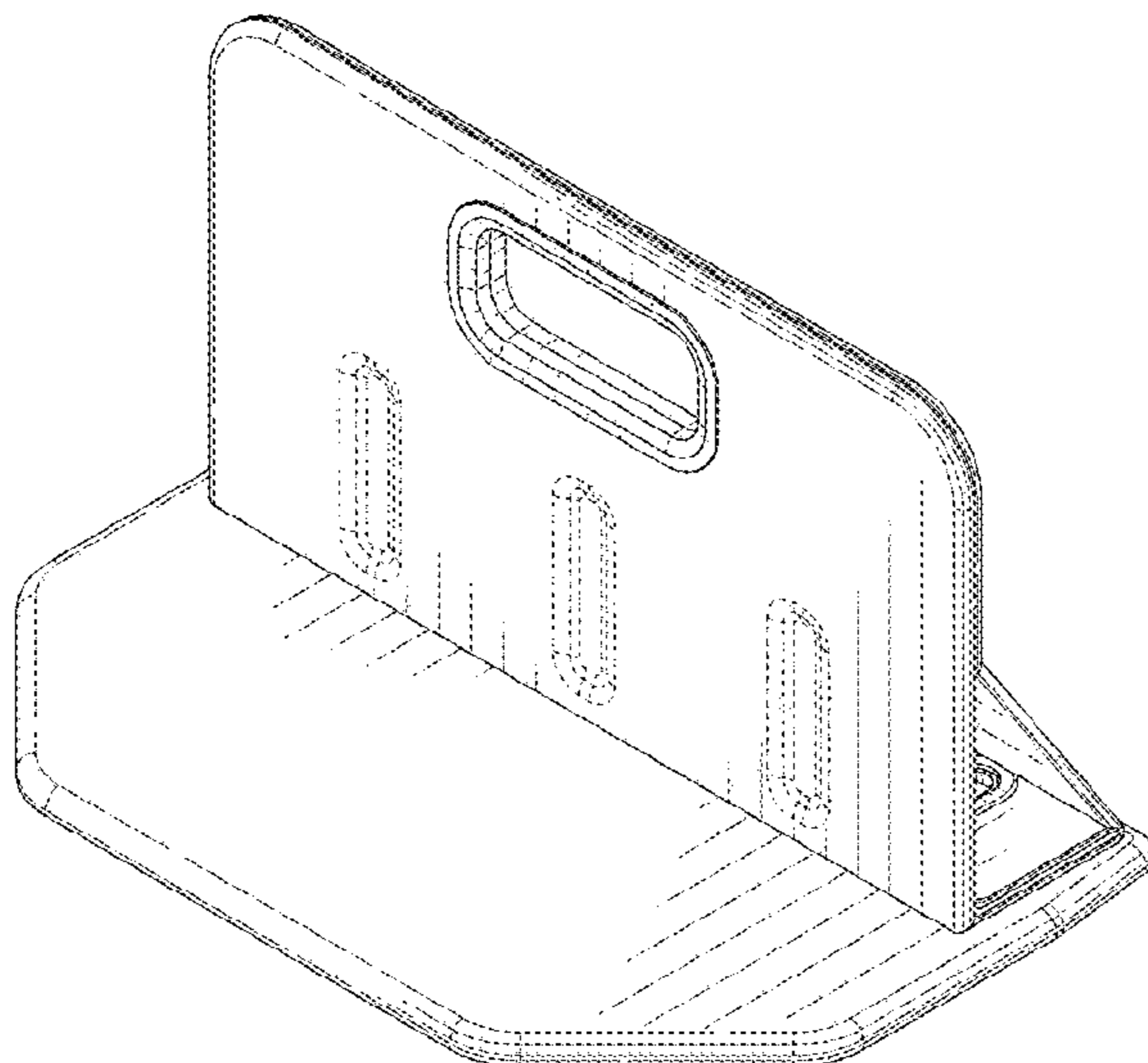
(57) **CLAIM**

The ornamental design for a cargo management device, as shown and described.

**DESCRIPTION**

FIG. 1 is a front perspective view of the cargo management device in use;  
FIG. 2 is a front view thereof;  
FIG. 3 is a rear view thereof;  
FIG. 4 is a side view thereof;  
FIG. 5 is a side view thereof;  
FIG. 6 is a top view thereof;  
FIG. 7 is a bottom view thereof;  
FIG. 8 is a rear perspective view thereof;  
FIG. 9 is a front bottom perspective view thereof;  
FIG. 10 is a rear bottom perspective view thereof;  
FIG. 11 is a perspective view of the cargo management device in a folded position;  
FIG. 12 is a front view thereof in a folded position;  
FIG. 13 is a rear view thereof in a folded position;  
FIG. 14 is a side view thereof in a folded position;  
FIG. 15 is a side view thereof in a folded position;  
FIG. 16 is a top view thereof in a folded position;  
FIG. 17 is a bottom view thereof in a folded position;  
FIG. 18 is a rear top perspective view thereof in a folded position;  
FIG. 19 is a front bottom perspective view thereof in a folded position; and,  
FIG. 20 is a rear bottom perspective view thereof in a folded position.  
Portions of the cargo management device shown in broken lines in FIGS. 1-6, 8-16 and 18 form no part of the claimed design.

**1 Claim, 12 Drawing Sheets**



(56)

**References Cited**

U.S. PATENT DOCUMENTS

D796,422 S \* 9/2017 Hodges ..... D12/426  
D855,553 S \* 8/2019 Chiang ..... D12/426

\* cited by examiner

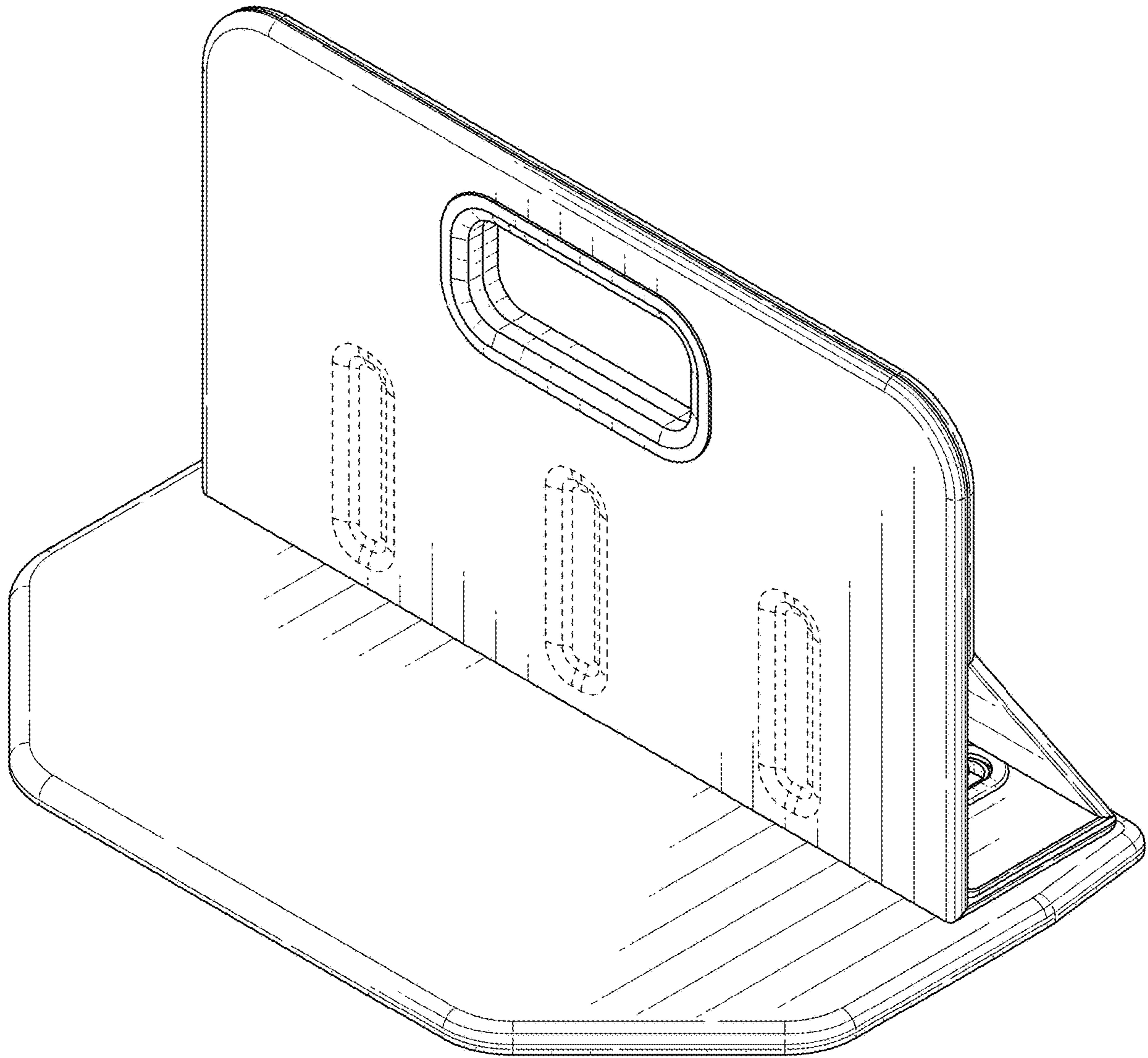


FIG. 1

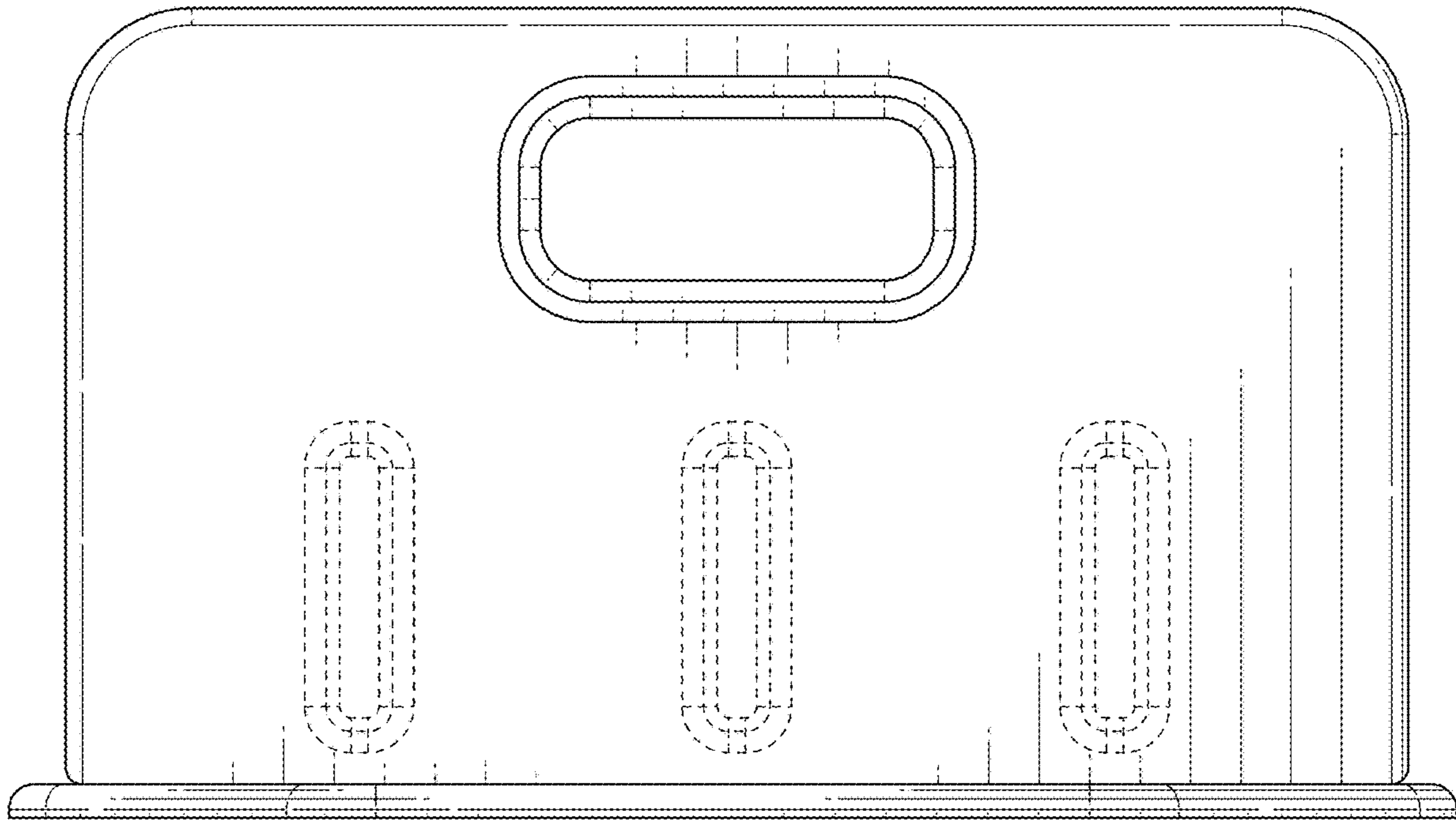


FIG. 2

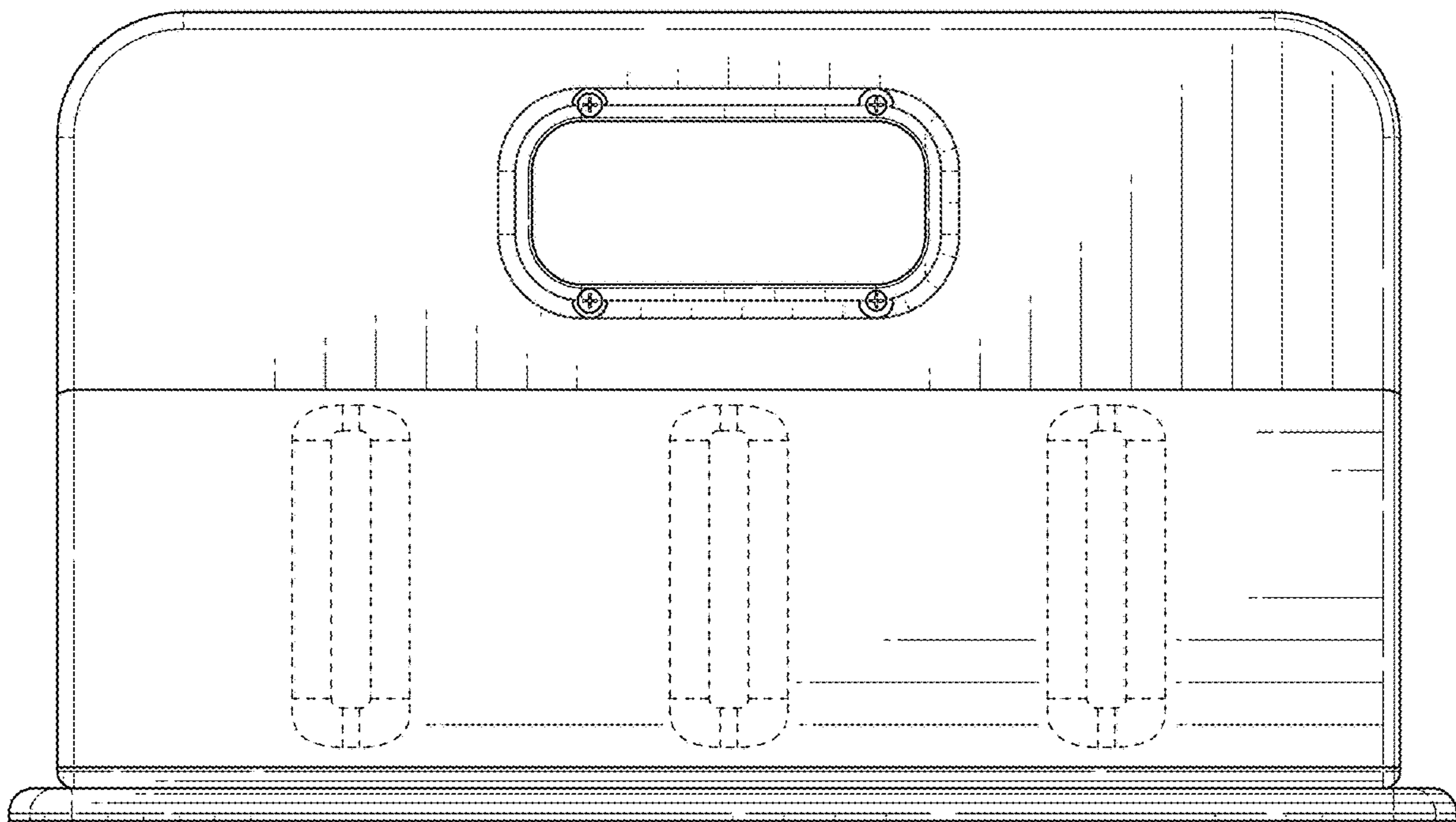


FIG. 3

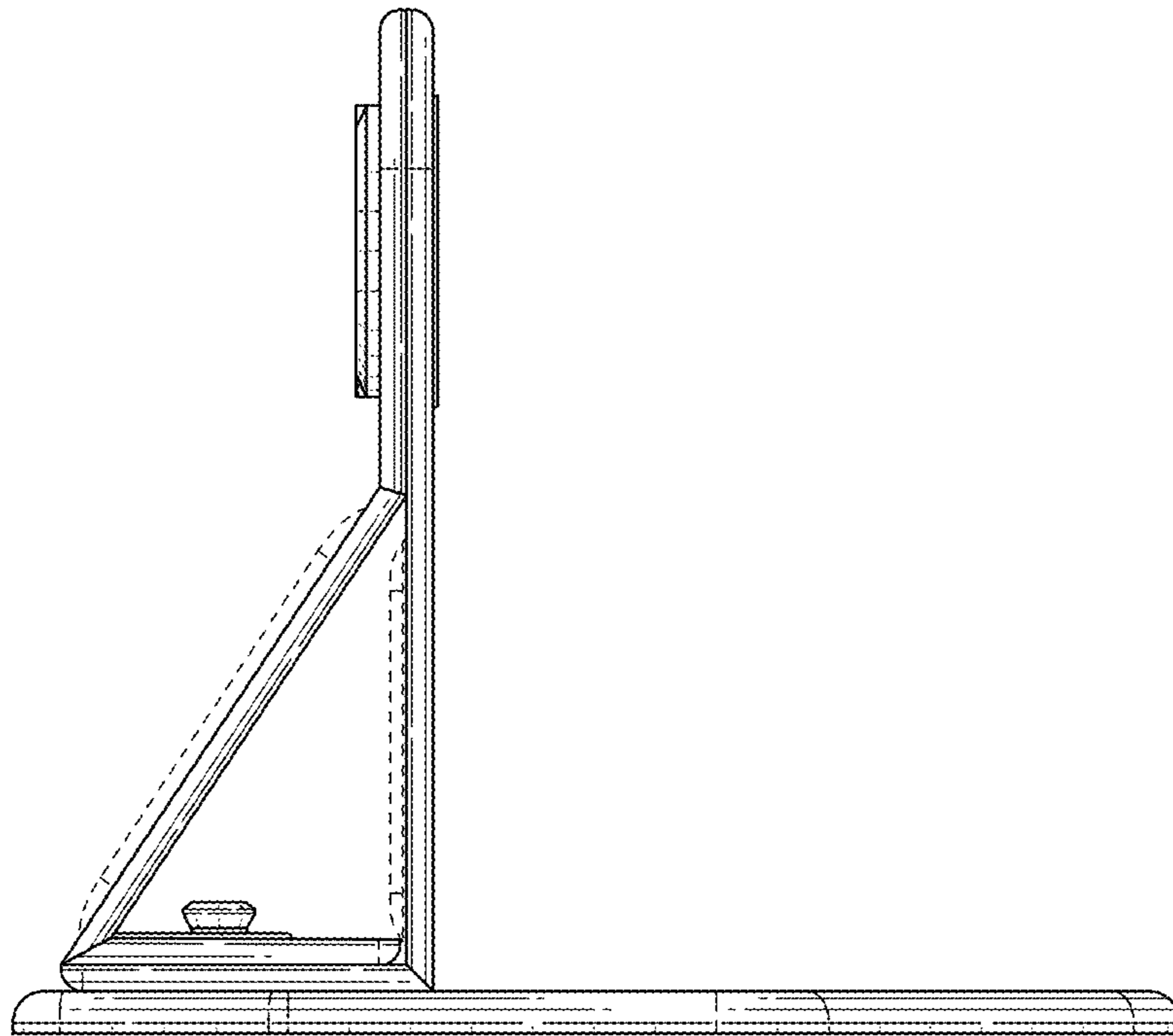


FIG. 4

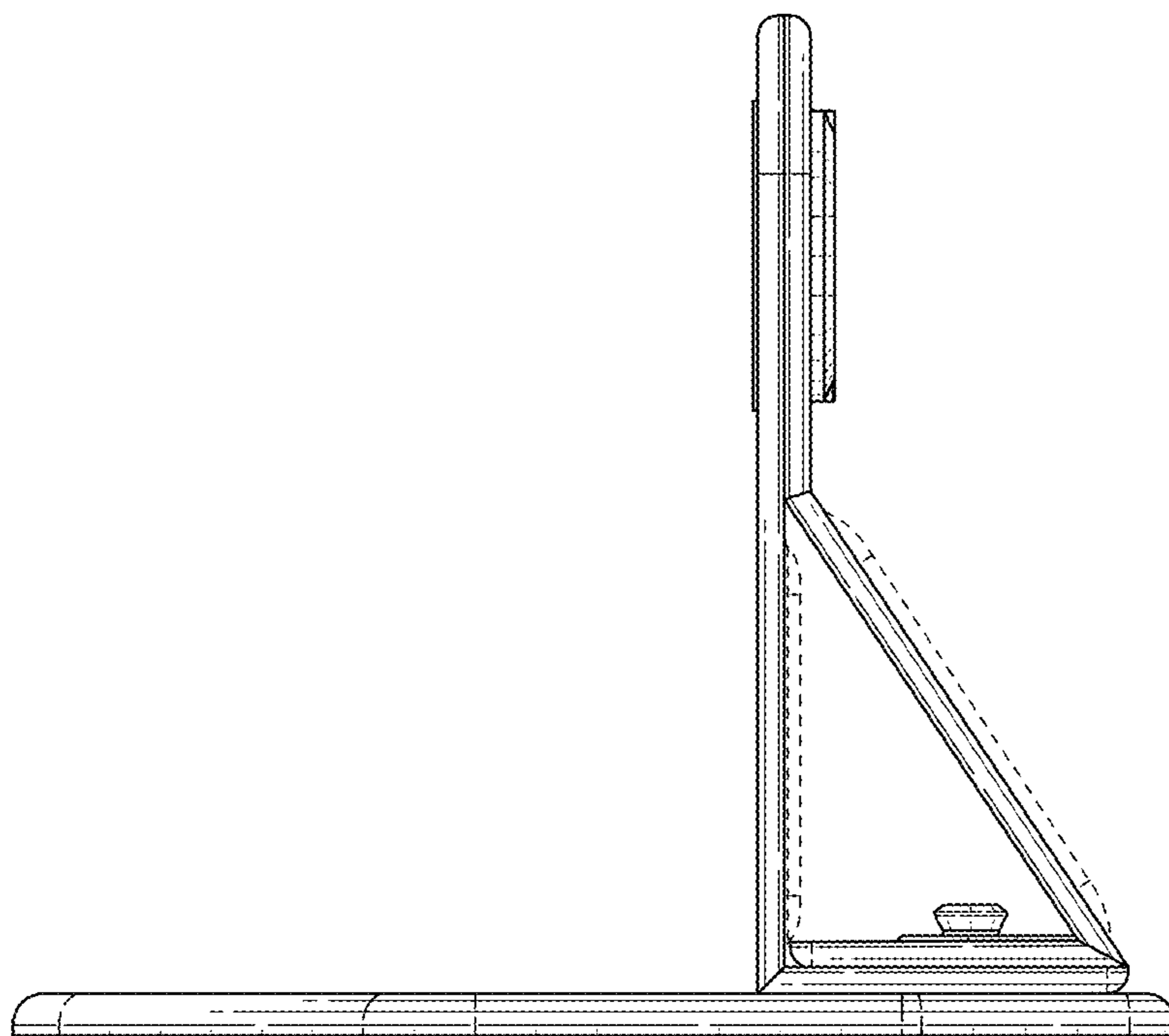


FIG. 5

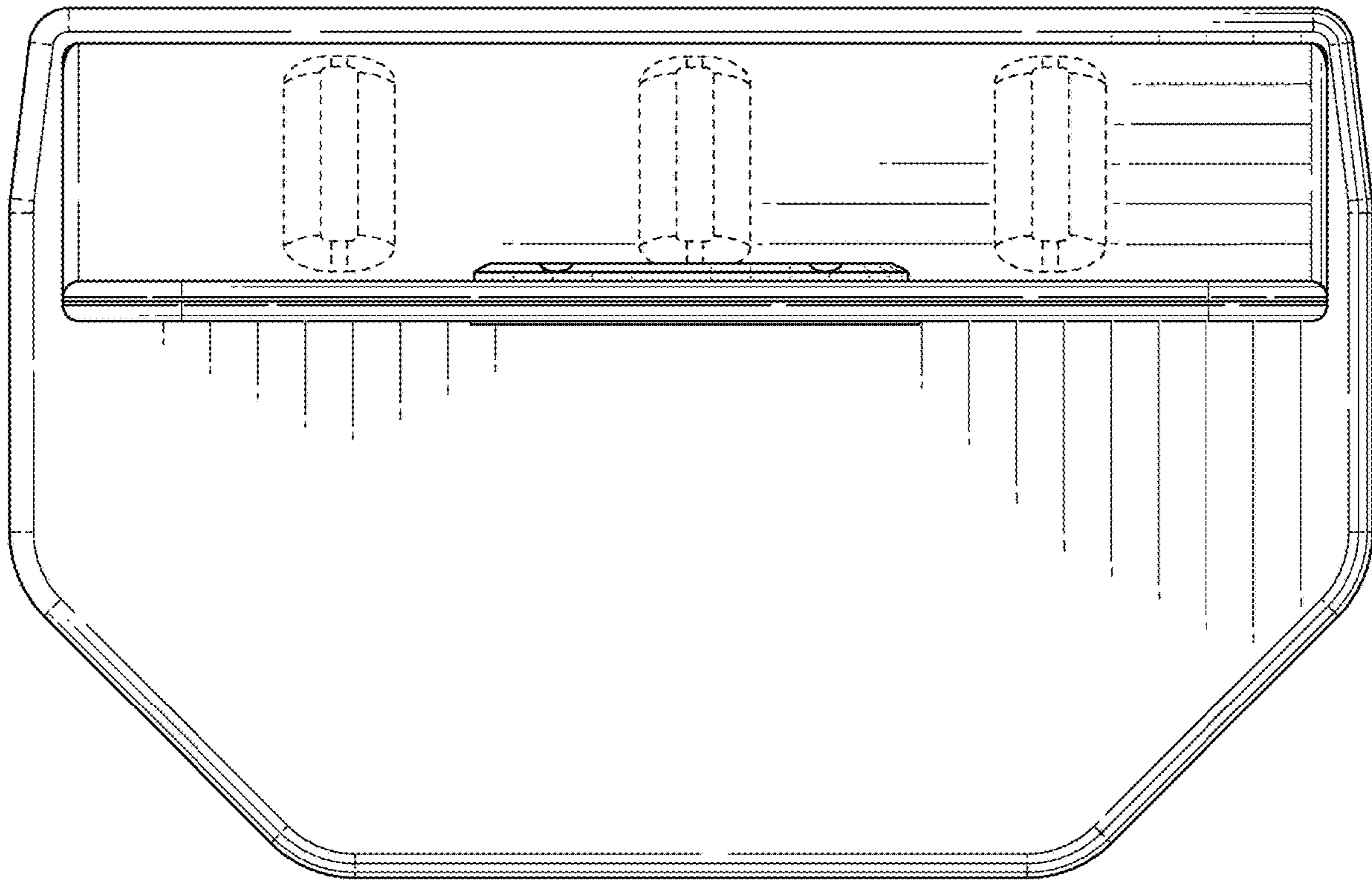


FIG. 6

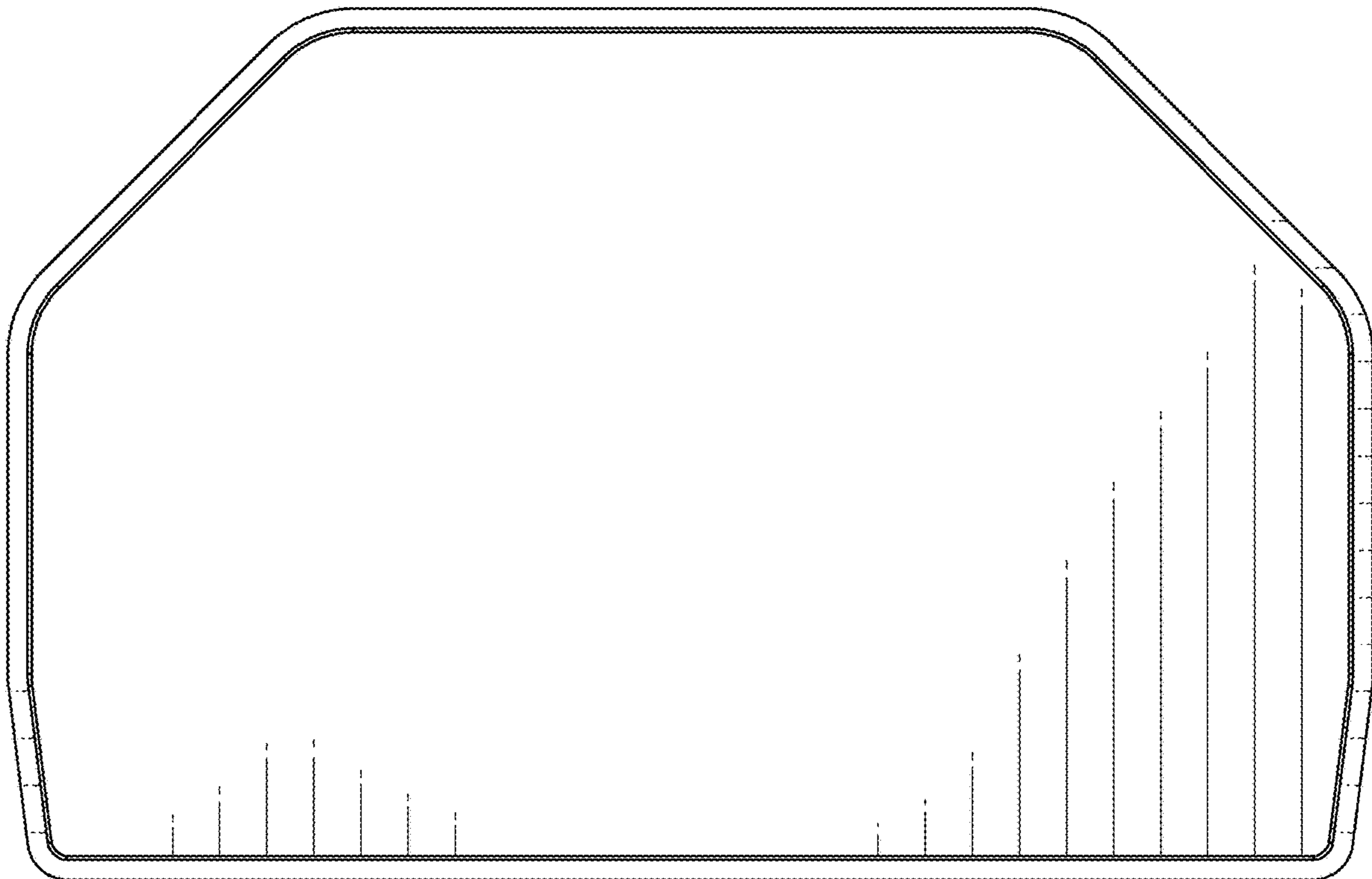


FIG. 7

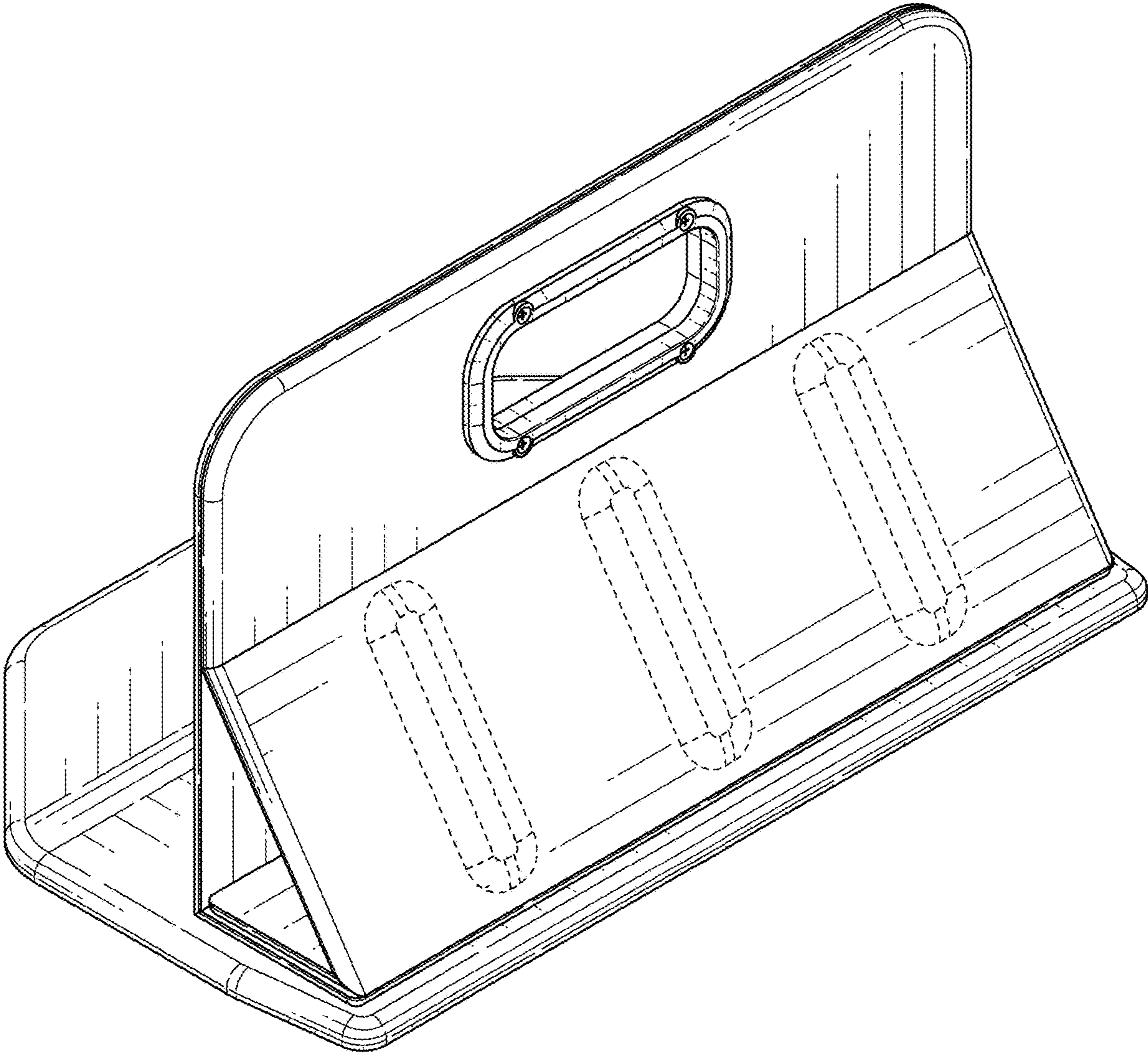


FIG. 8

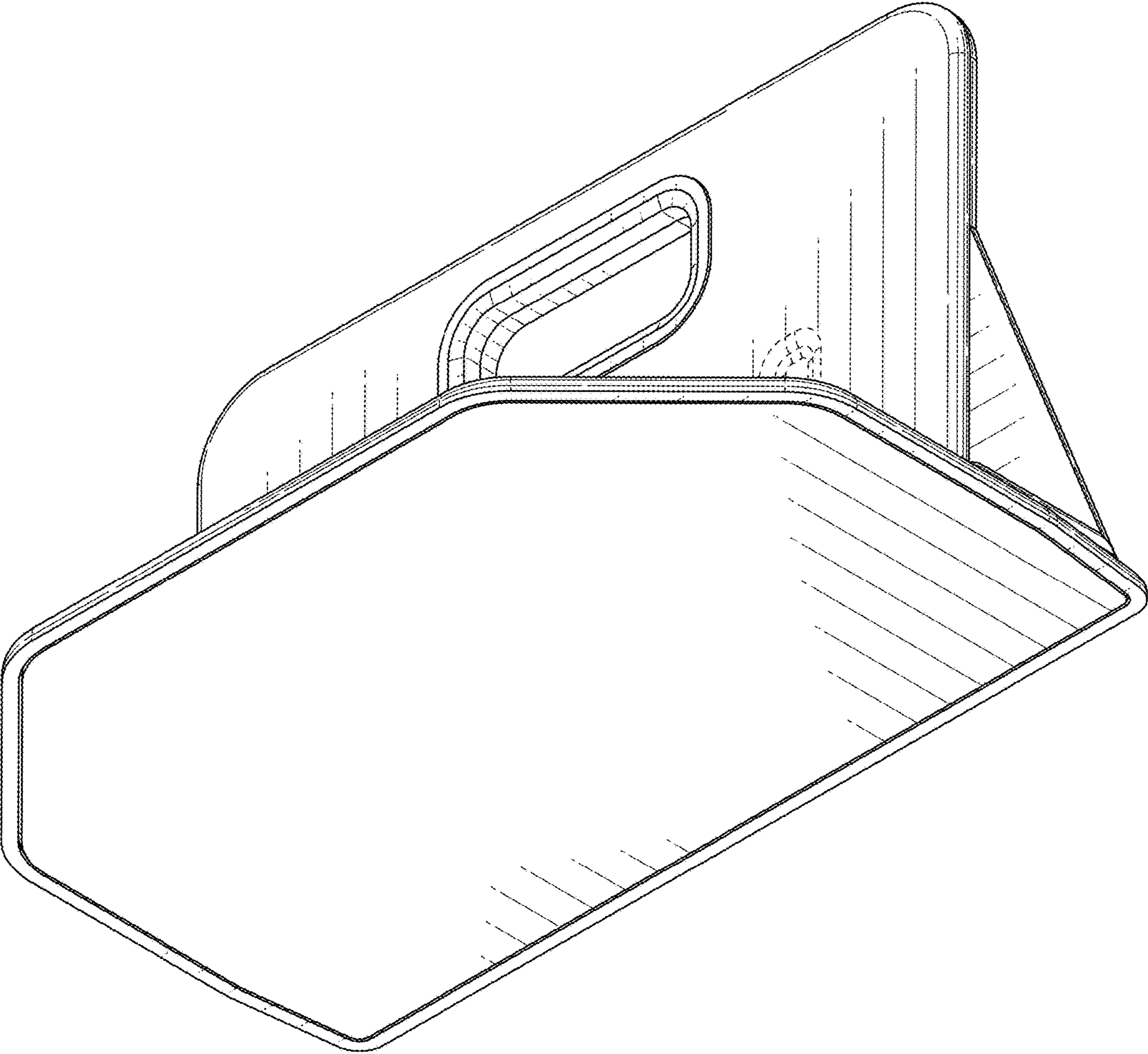


FIG. 9



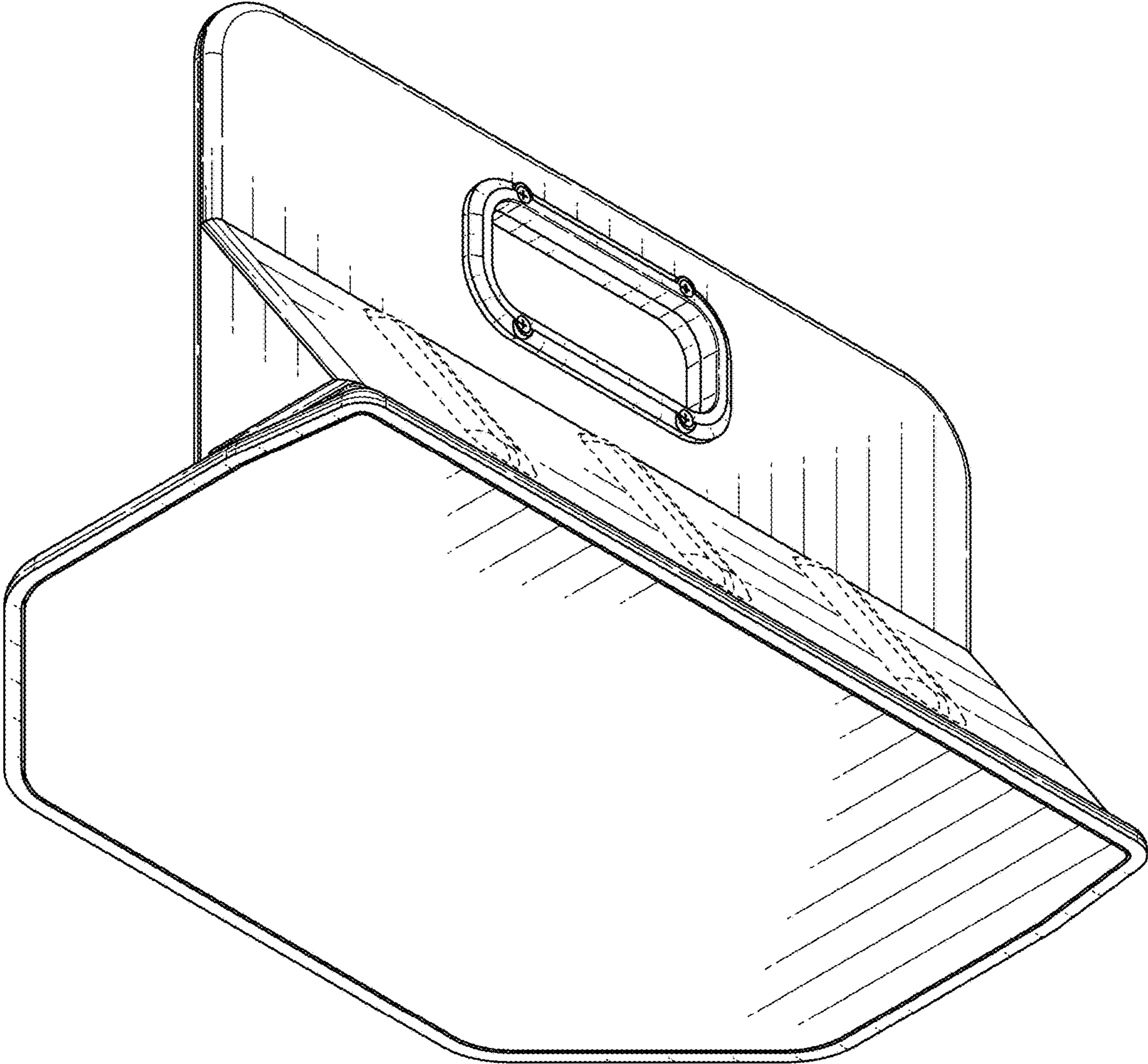


FIG. 10

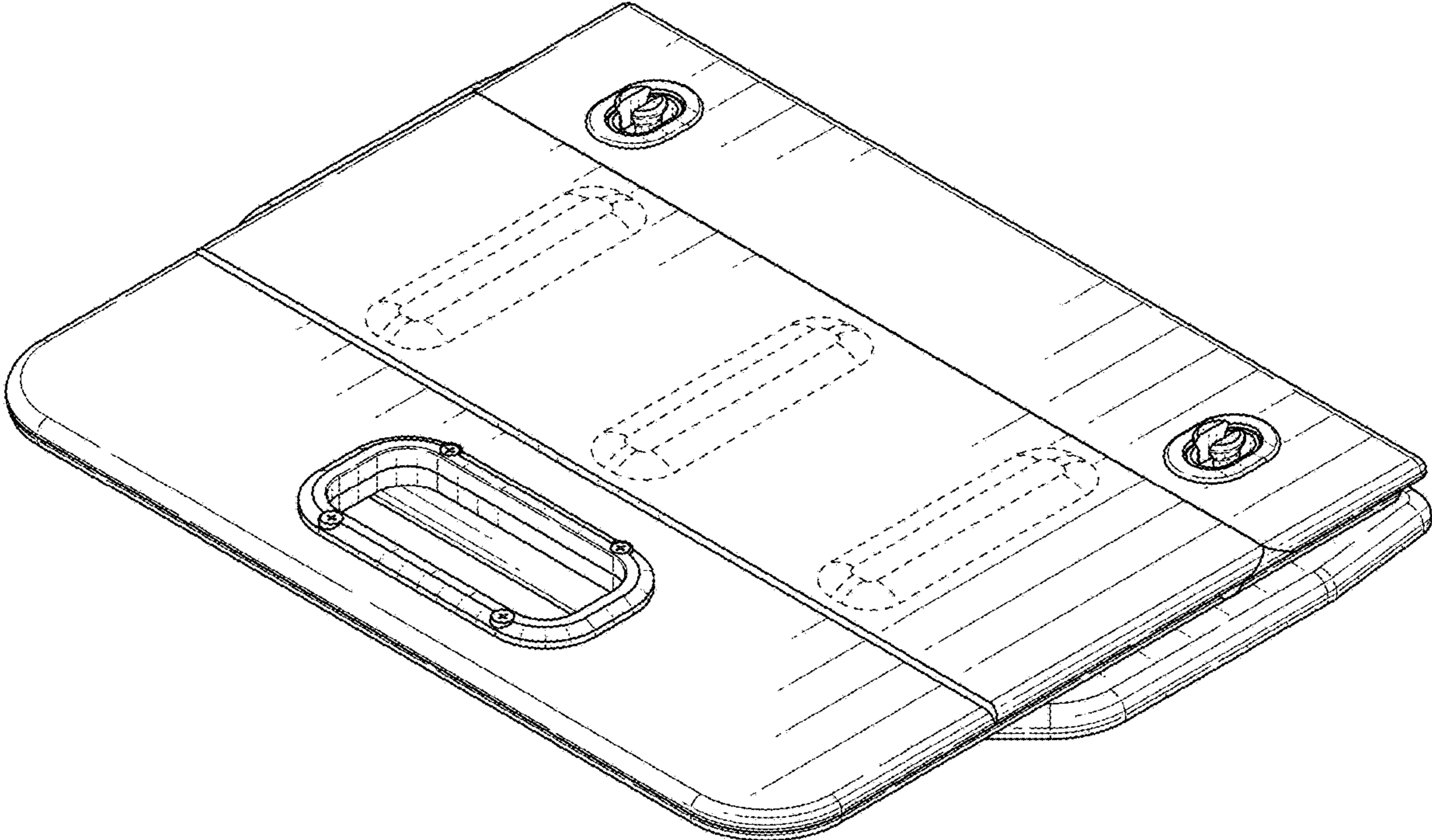


FIG. 11

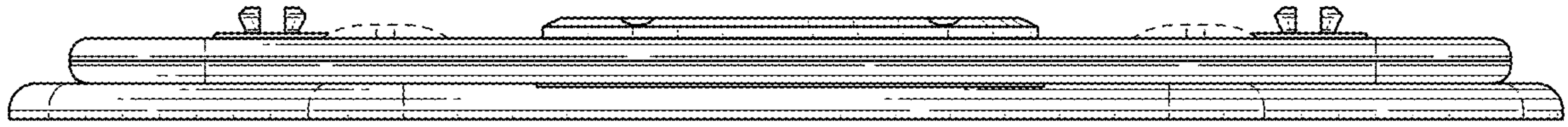


FIG. 12

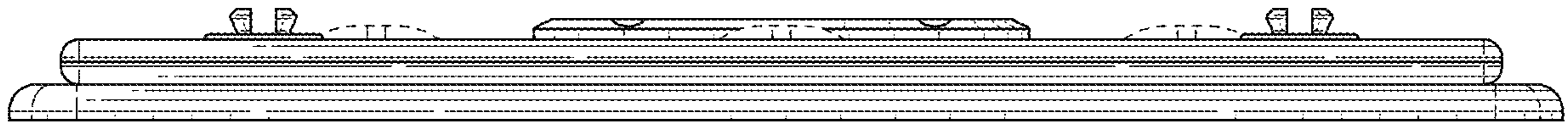


FIG. 13

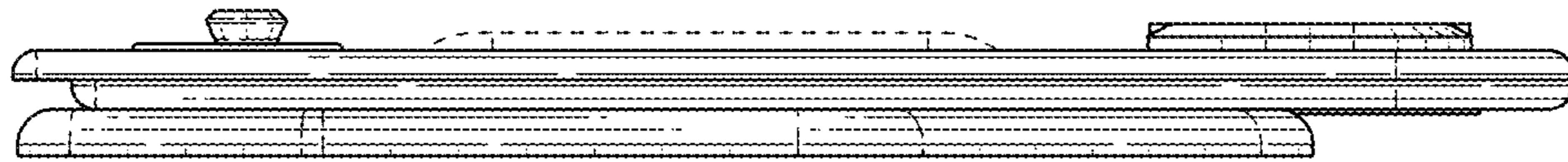


FIG. 14

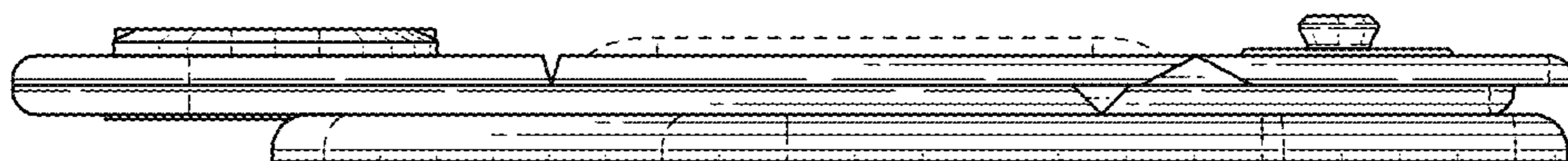


FIG. 15

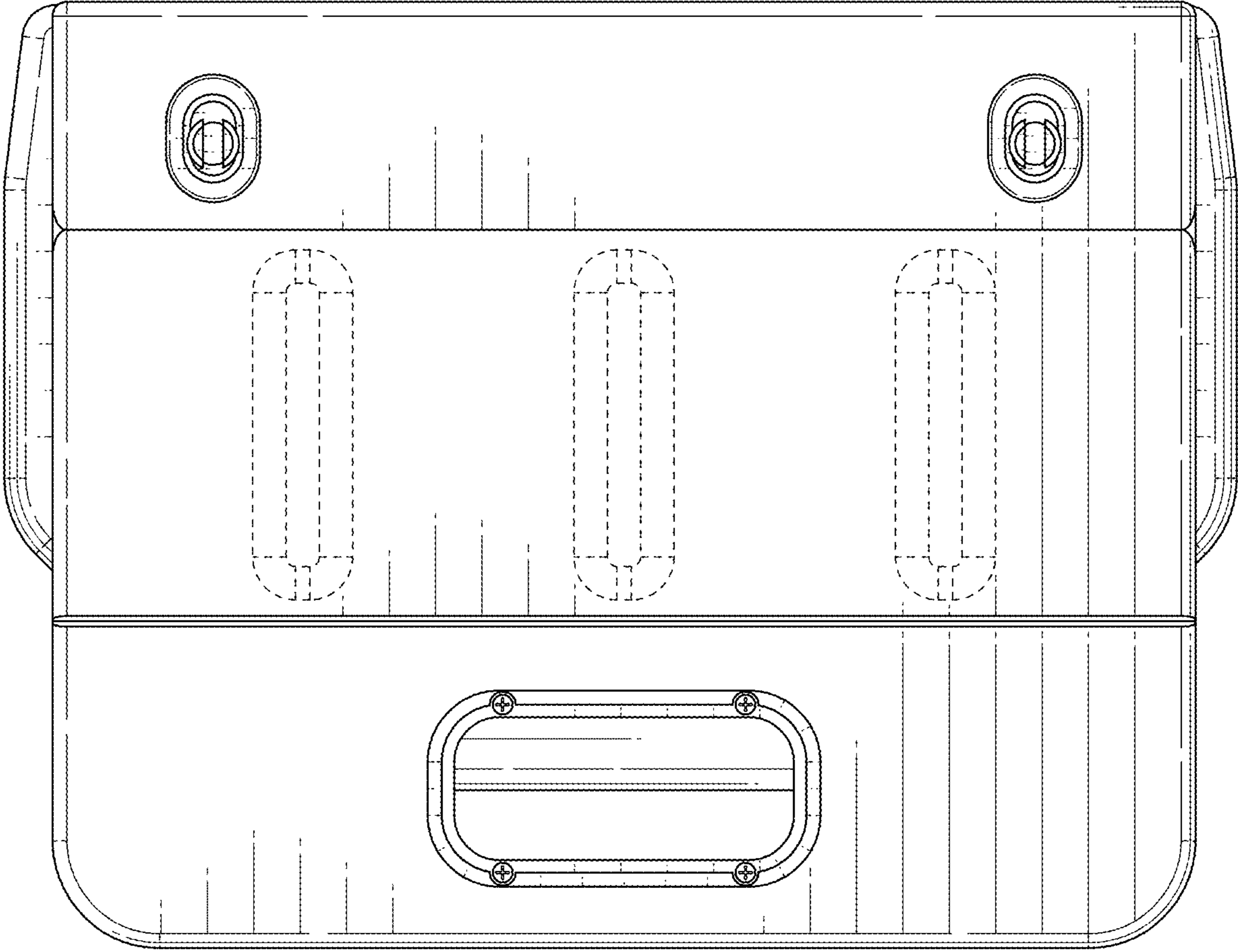


FIG. 16

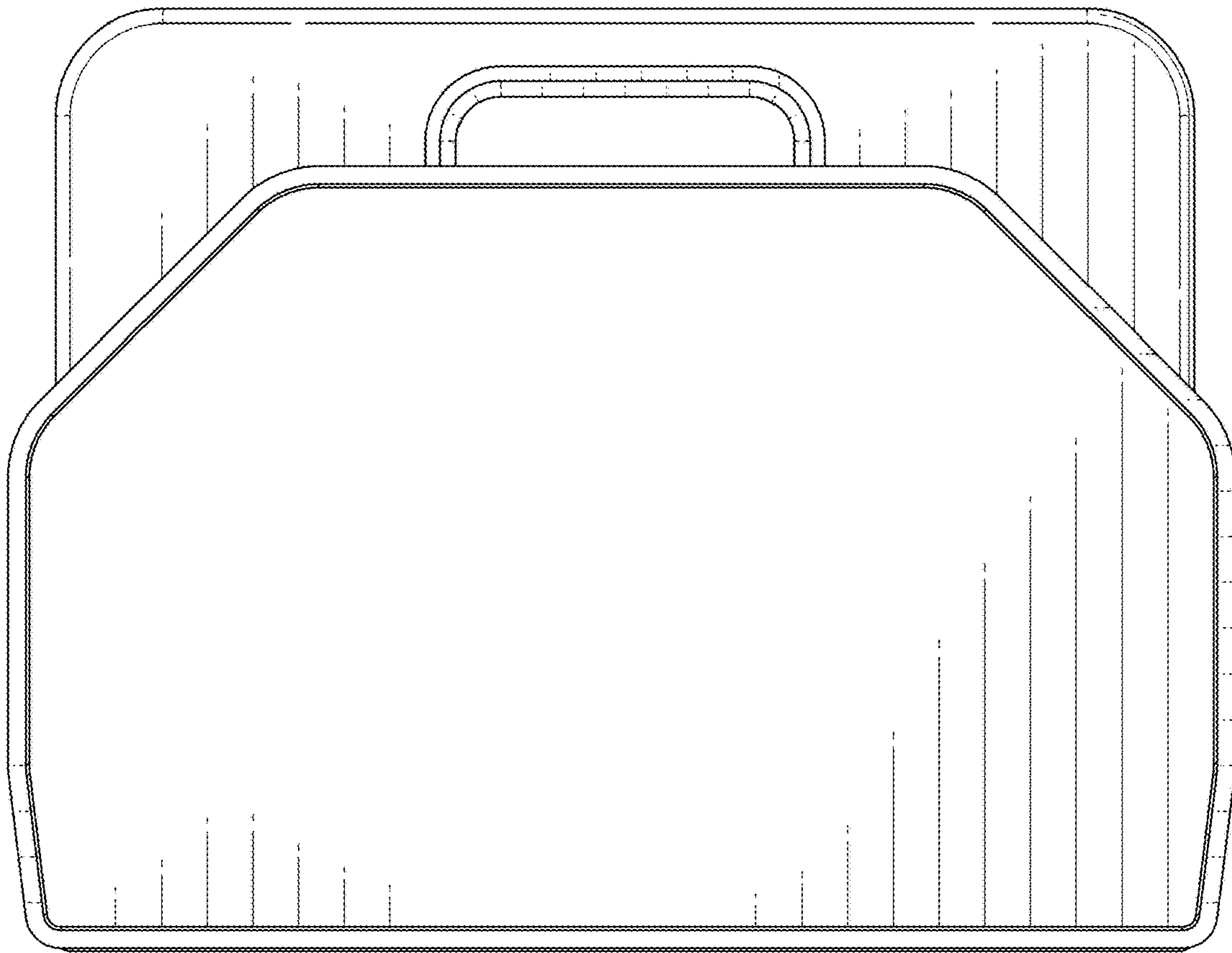


FIG. 17

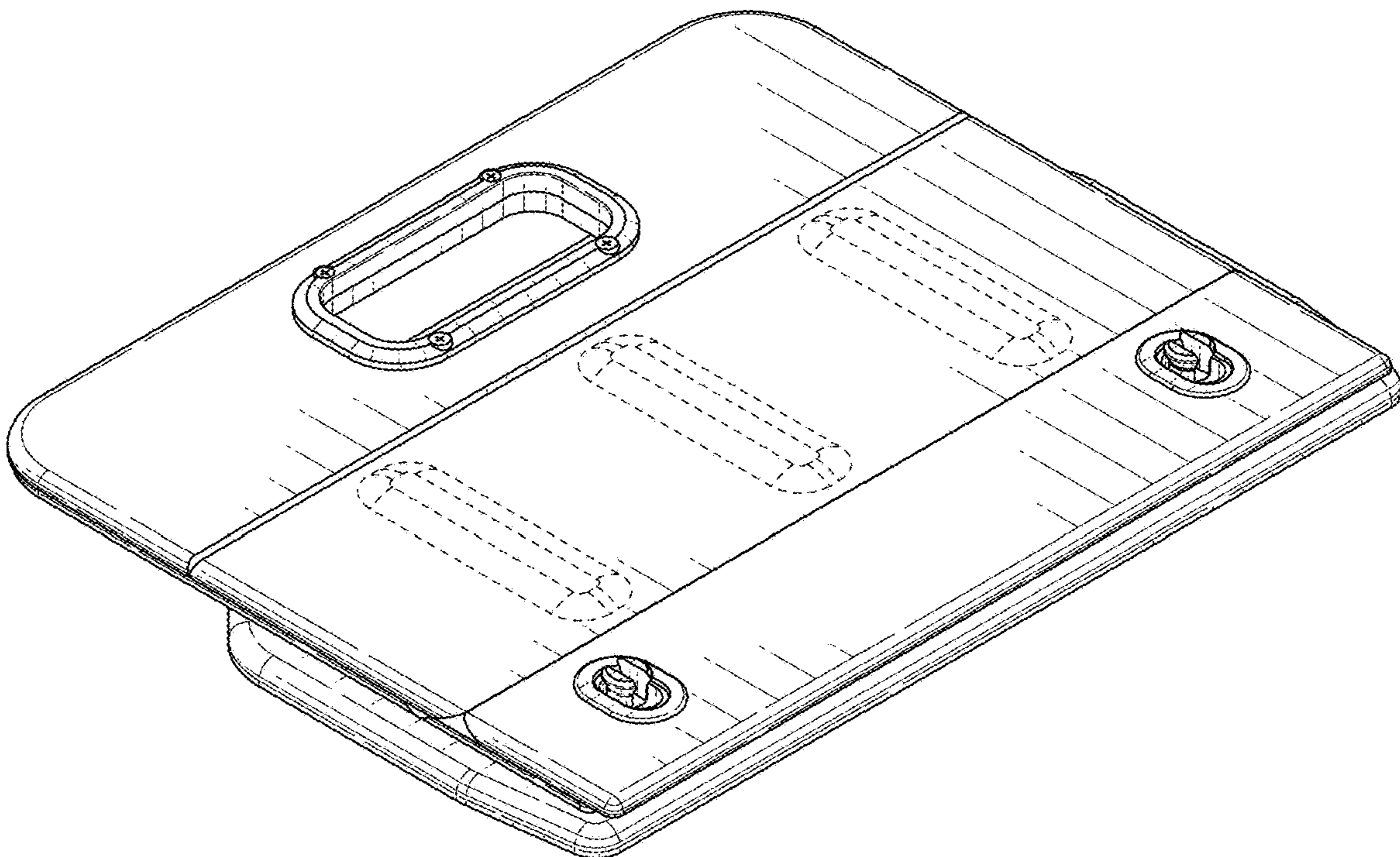


FIG. 18

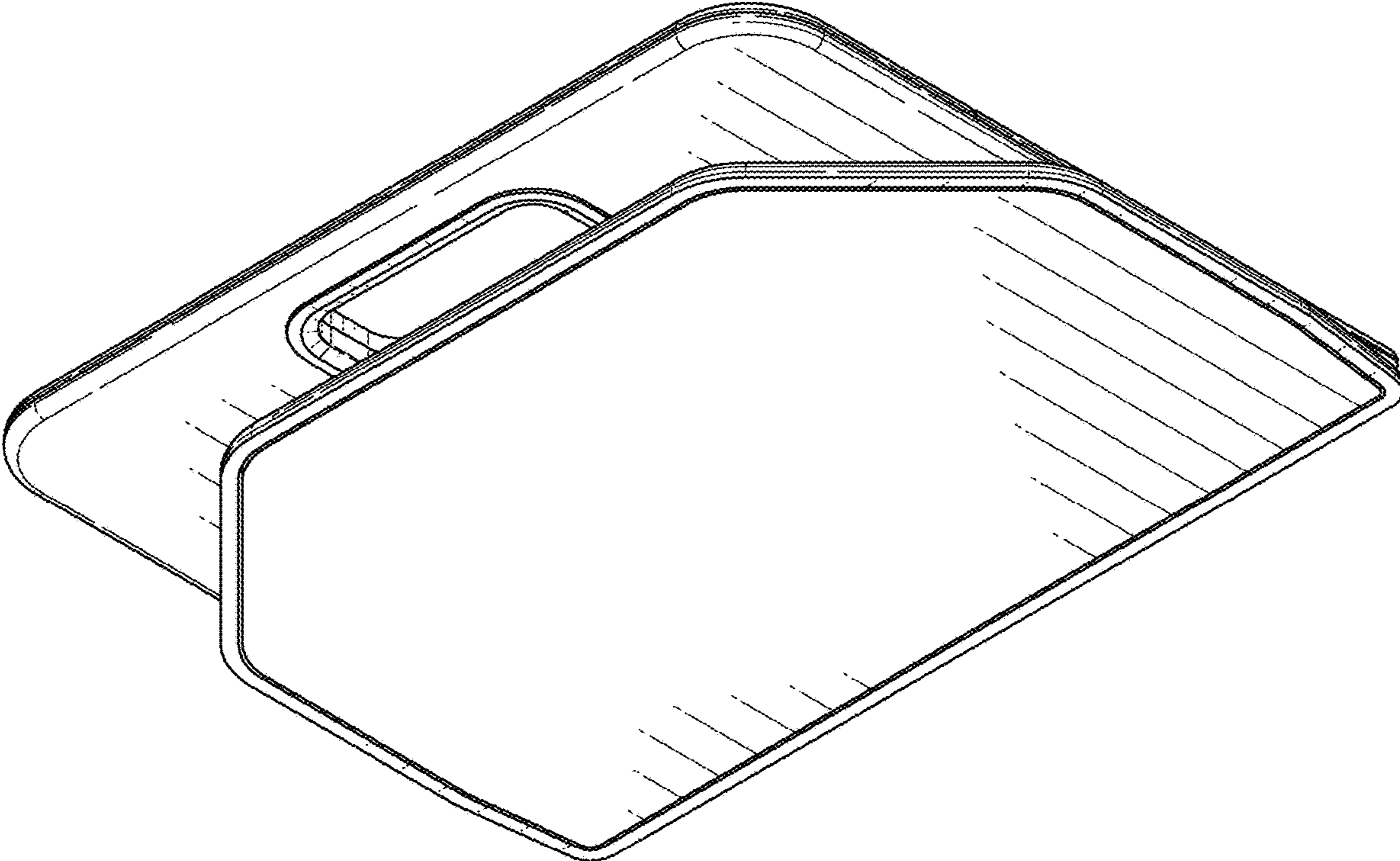


FIG. 19

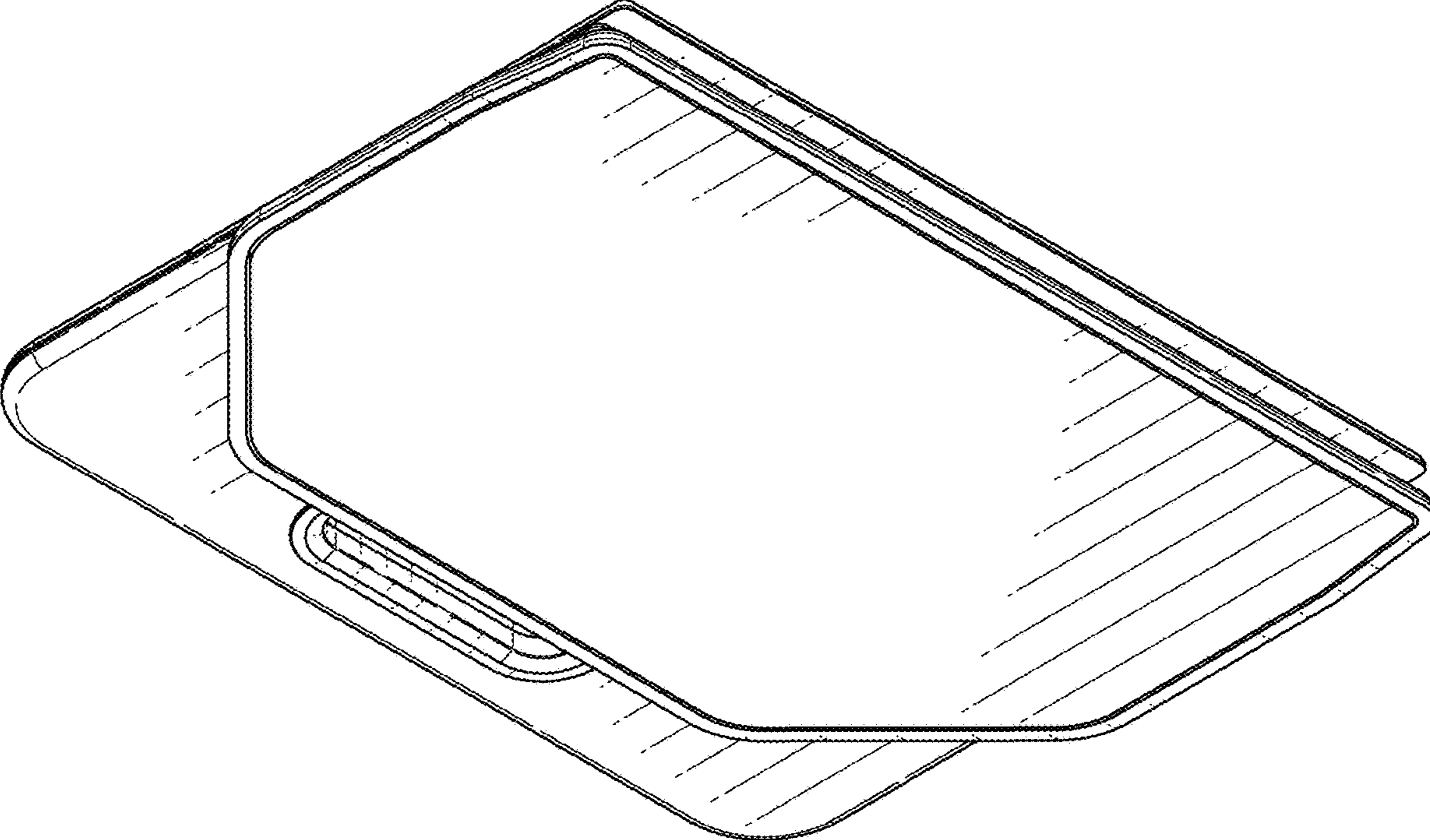


FIG. 20