



US00D924783S

(12) **United States Design Patent** (10) **Patent No.:** **US D924,783 S**  
**Sethapun** (45) **Date of Patent:** **\*\* Jul. 13, 2021**

(54) **CONSOLE ARRANGEMENT INCLUDING A LEDGE FOR AN AIRCRAFT**

(71) Applicant: **Gulfstream Aerospace Corporation**, Savannah, GA (US)

(72) Inventor: **Kevin Sethapun**, Savannah, GA (US)

(73) Assignee: **Gulfstream Aerospace Corporation**, Savannah, GA (US)

(\*\*) Term: **15 Years**

(21) Appl. No.: **29/699,475**

(22) Filed: **Jul. 25, 2019**

(51) **LOC (13) Cl.** ..... **12-16**

(52) **U.S. Cl.**  
USPC ..... **D12/418**

(58) **Field of Classification Search**  
USPC ..... 2/415-420, 40, 191, 106, 195, 345, 96, 2/99; D6/513, 514, 553, 556, 559, 611  
CPC ... B64D 11/04; B64D 13/08; B60R 2011/005; B60R 11/02  
See application file for complete search history.

(56) **References Cited**

U.S. PATENT DOCUMENTS

D256,229 S \* 8/1980 Nichols ..... D12/418  
D259,633 S \* 6/1981 Butler ..... D12/418  
D295,969 S \* 5/1988 Hooks ..... D12/418  
D312,432 S \* 11/1990 Lewis ..... D12/413  
D314,739 S \* 2/1991 Mallone ..... D12/418

D613,234 S \* 4/2010 Tirey ..... D12/418  
D670,231 S \* 11/2012 Stimel, Jr. .... D12/418  
D680,944 S \* 4/2013 Aruga ..... D12/418  
D784,905 S \* 4/2017 Savian ..... D12/345  
D902,830 S \* 11/2020 Savian ..... D12/345  
D902,837 S \* 11/2020 Robinson ..... D12/418  
2018/0050801 A1\* 2/2018 Savian ..... B64D 11/003

\* cited by examiner

*Primary Examiner* — Katrina A Betton

(74) *Attorney, Agent, or Firm* — LKGlobal | Lorenz & Kopf, LLP

(57) **CLAIM**

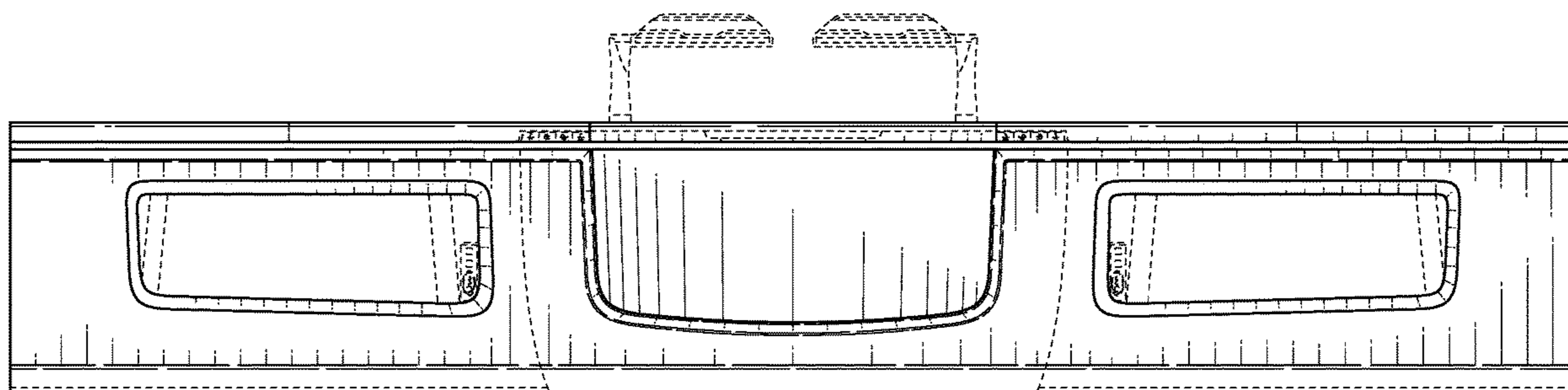
The ornamental design for a console arrangement including a ledge for an aircraft, as shown and described.

**DESCRIPTION**

FIG. 1 is a perspective view of a console arrangement including a ledge for an aircraft showing our new design; FIG. 2 is a front view thereof; FIG. 3 is a rear view thereof; FIG. 4 is a first side view thereof; FIG. 5 is a second side view thereof; FIG. 6 is a top view thereof; and, FIG. 7 is a bottom view thereof.

The solid lines illustrate features that form part of the claimed design. The broken lines illustrate structure and environment that form no part of the claimed design. The back view of the console arrangement including the ledge forms no part of the claimed design.

**1 Claim, 4 Drawing Sheets**



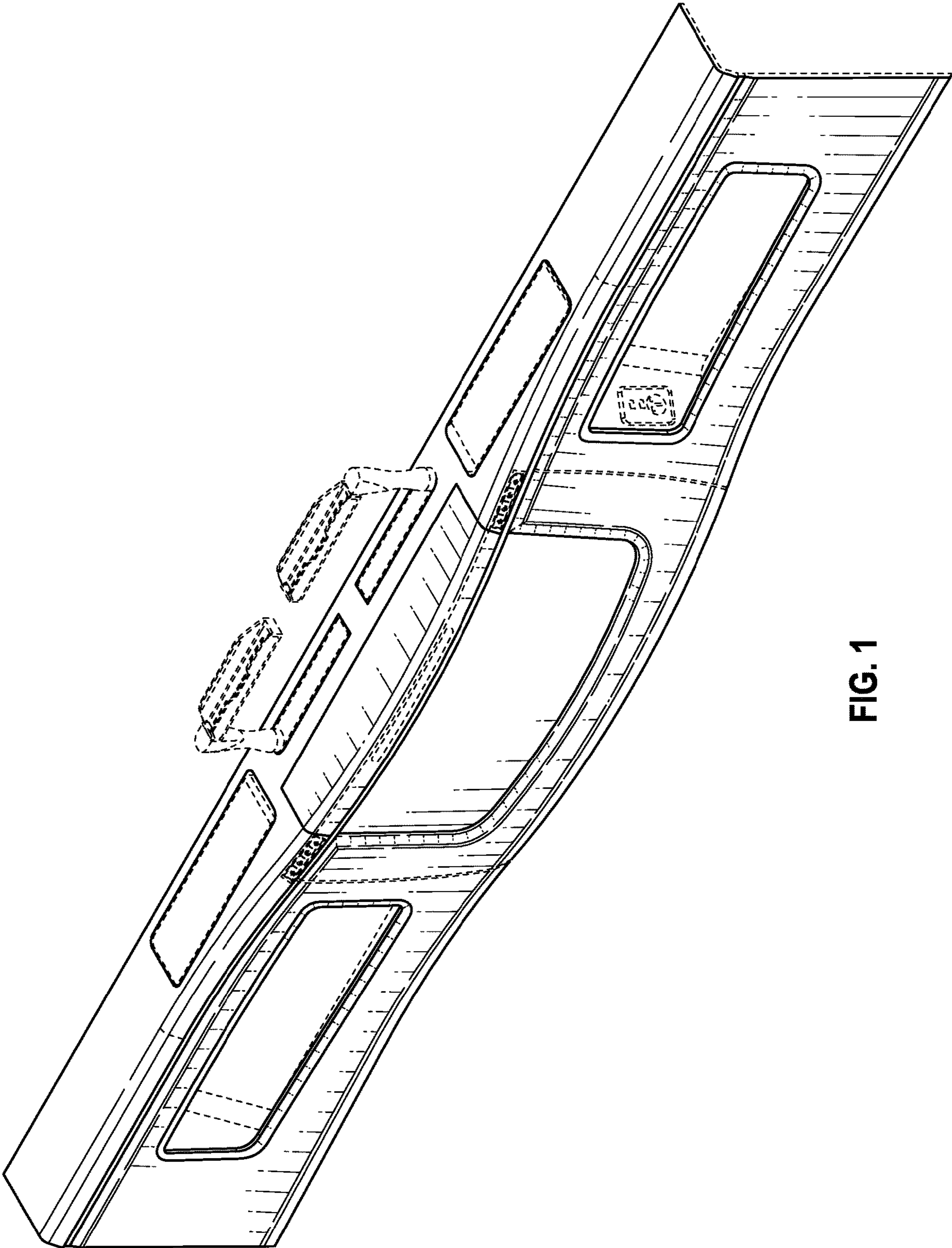


FIG. 1

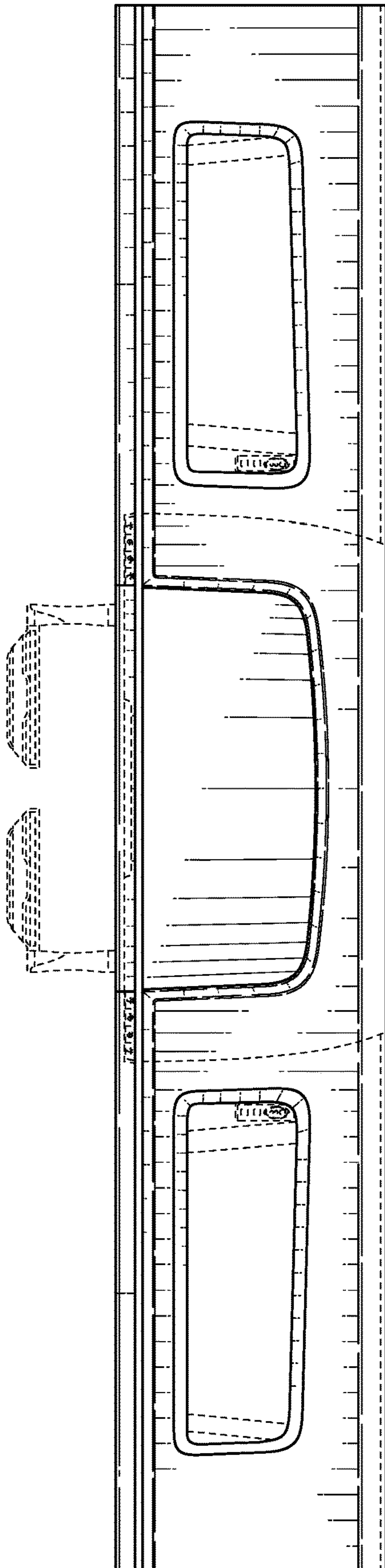


FIG. 2

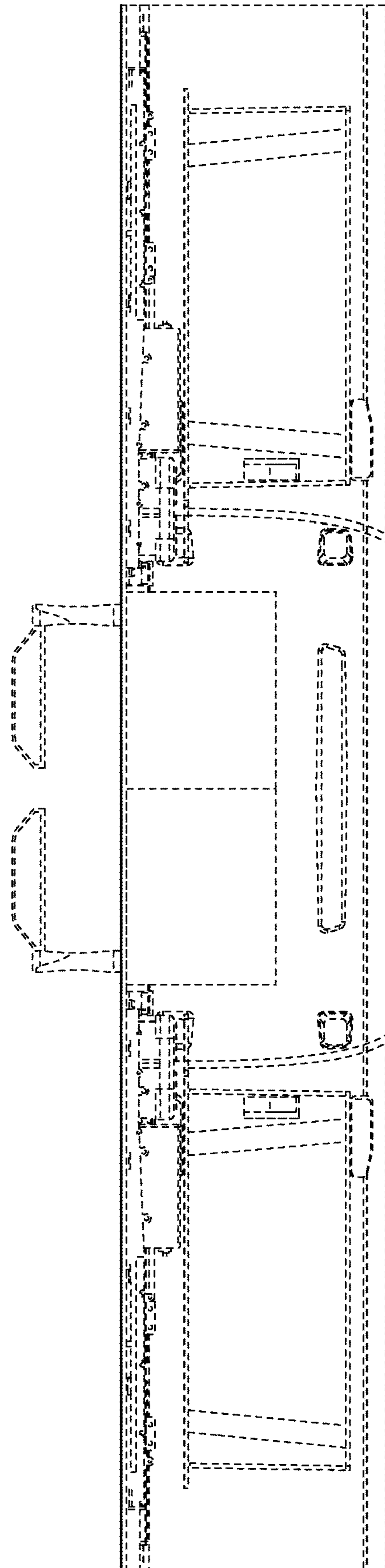


FIG. 3

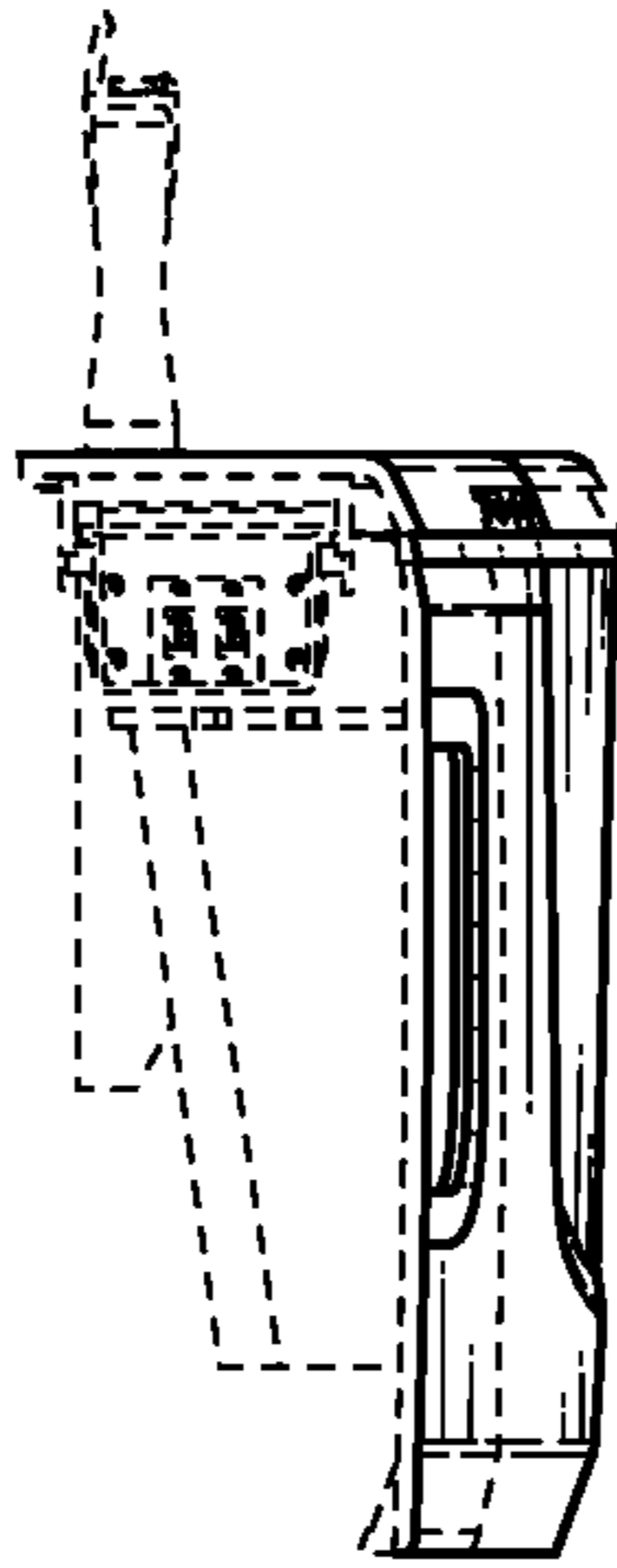


FIG. 4

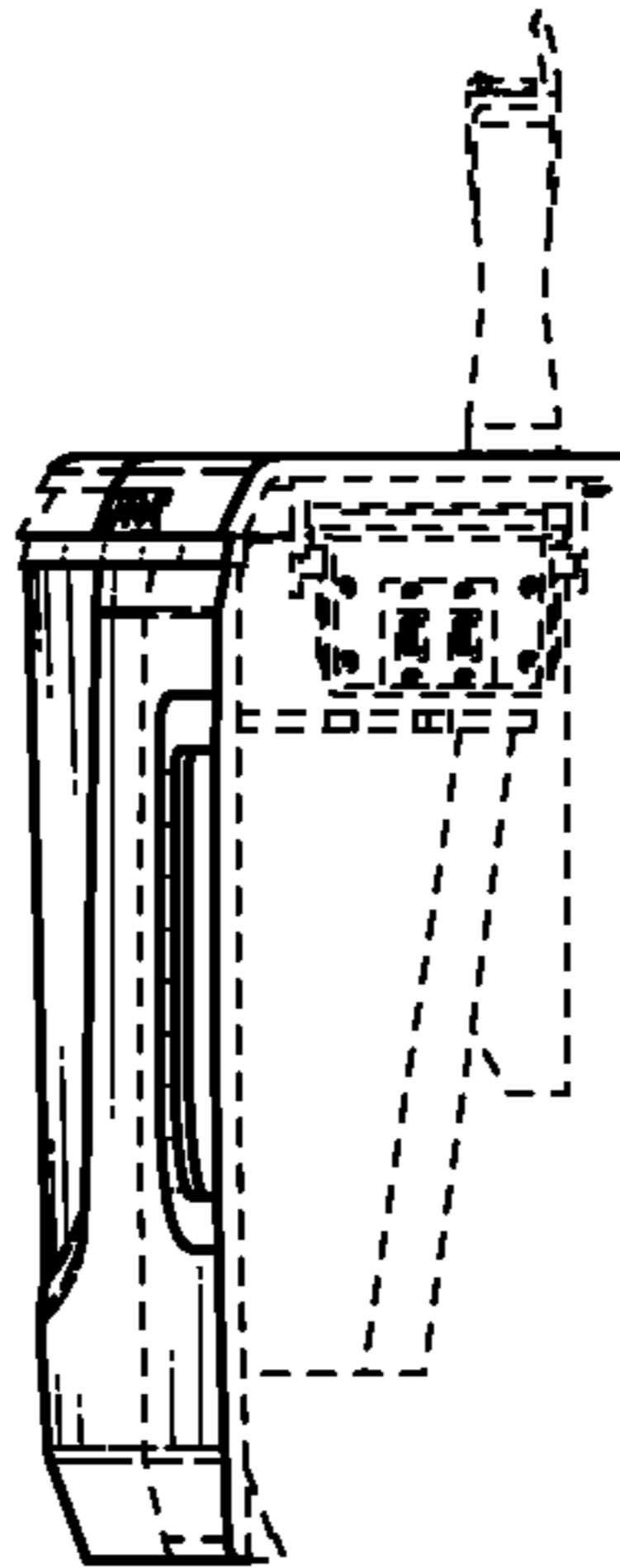


FIG. 5

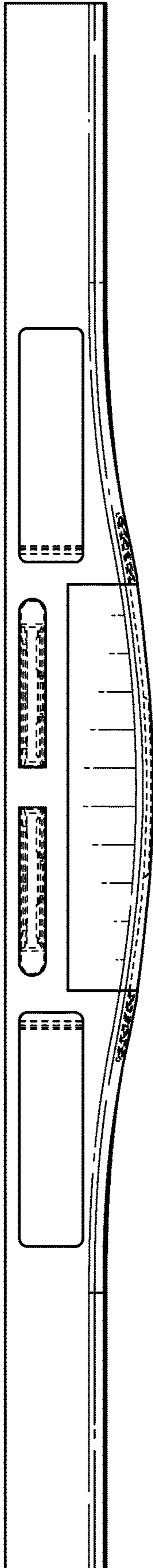


FIG. 6

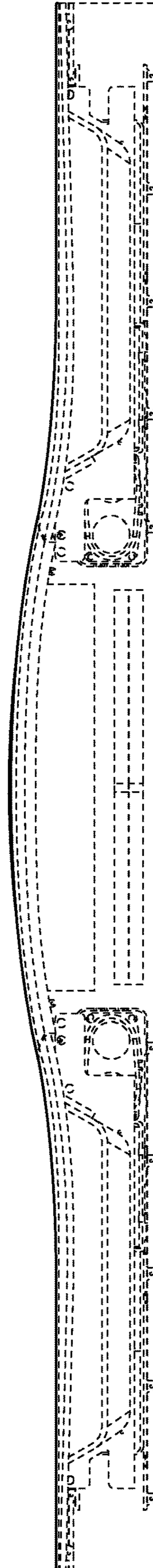


FIG. 7