



US00D924782S

(12) **United States Design Patent** (10) **Patent No.:** **US D924,782 S**
MacFarlane (45) **Date of Patent:** **** Jul. 13, 2021**

(54) **TRAVEL TRAY FOR CHILDREN** D848,757 S * 5/2019 Kelly D6/406.3
D877,044 S * 3/2020 Carrier D12/416
(71) Applicant: **Kenley Kids**, Markham (CA) D900,503 S * 11/2020 Hwang D6/406.3

(72) Inventor: **Martin MacFarlane**, Markham (CA)

(73) Assignee: **KENLEY KIDS, INC.**, Markham (CA)

(**) Term: **15 Years**

(21) Appl. No.: **29/746,321**

(22) Filed: **Aug. 13, 2020**

OTHER PUBLICATIONS

Amazon, "Kenley Kids Travel Tray, Toddler Car Seat Lap Tray, 16.5x13.5 Inches (Red/Gray)", First reviewed Nov. 15, 2018. (<https://www.amazon.com/dp/B079H46Y7Z/>) (Year: 2018).*
Amazon, "Becko Children's Travel Toy Tray Kids' Car Seat Snack, Game Tray Activity Table for Stroller, Car, Airplane, Road Trip with Doodle Mat, Foldaway & Portable" First on sale Mar. 15, 2019. (<https://www.amazon.com/dp/B07PNQFLJX/>) (Year: 2019).*

* cited by examiner

Primary Examiner — April Rivas

(74) *Attorney, Agent, or Firm* — Gearhart Law LLC

Related U.S. Application Data

(63) Continuation of application No. 29/679,205, filed on Feb. 4, 2019.

(51) **LOC (13) Cl.** **12-16**

(52) **U.S. Cl.**
USPC **D12/416**

(58) **Field of Classification Search**
USPC D12/416, 425, 426.1; D3/274, 313, 315,
D3/290; D6/406.3
CPC A45C 9/00; A47B 23/025; B60R 7/043;
B60N 3/002

See application file for complete search history.

(57) **CLAIM**

The ornamental design for a travel tray for children, as shown and described.

DESCRIPTION

FIG. 1 is a front perspective view of the travel tray for children.

FIG. 2 is a rear perspective view thereof.

FIG. 3 is a top view thereof.

FIG. 4 is a bottom view thereof.

FIG. 5 is a front view thereof.

FIG. 6 is a back view thereof.

FIG. 7 is a right side view thereof; and,

FIG. 8 is a left side view thereof.

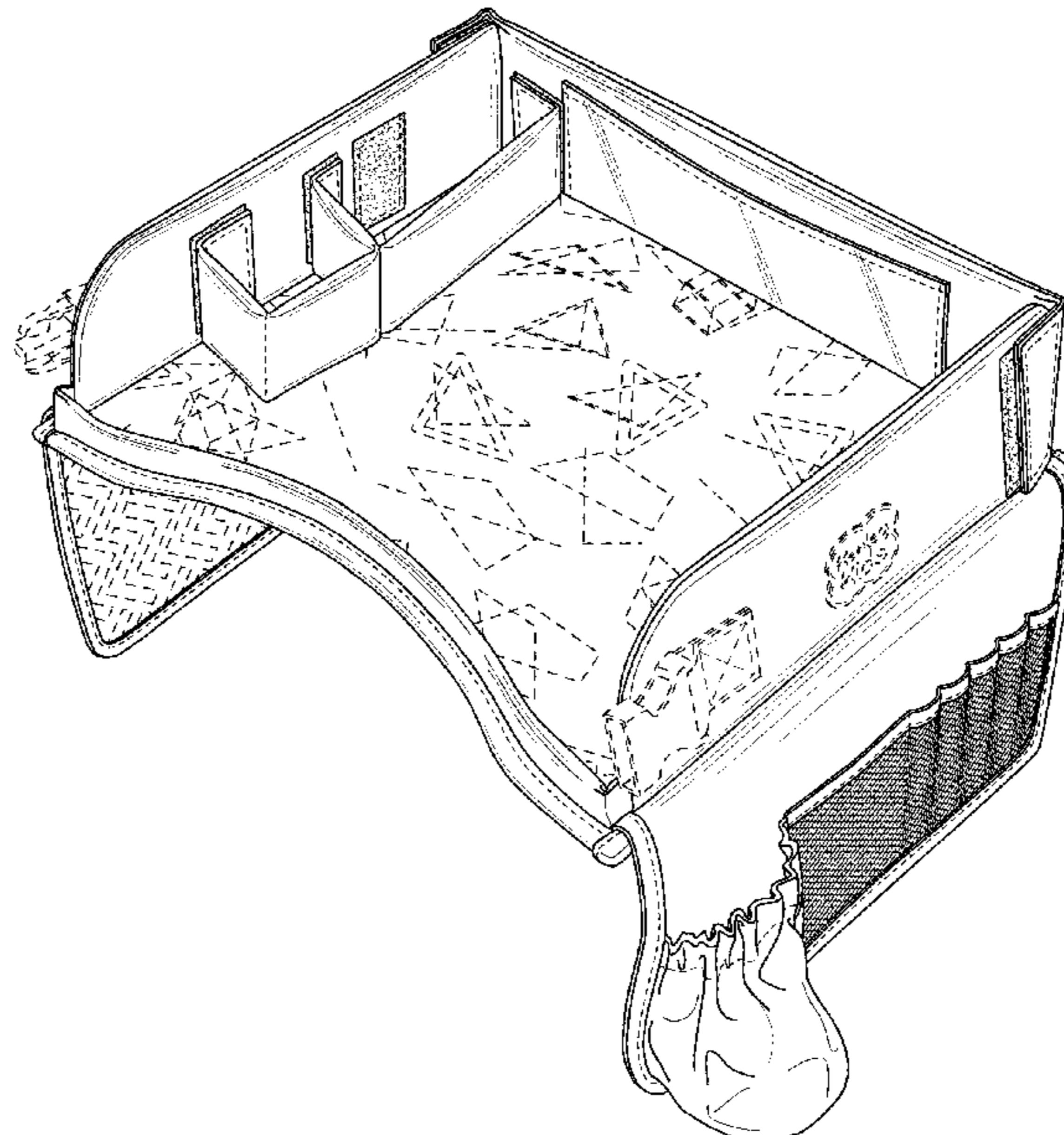
The short, dashed lines in the drawings are used to denote stitching and form part of the claimed design. The longer, broken lines in the drawings showing printed design elements and male/female buckle components form no part of the claimed design.

(56) **References Cited**

U.S. PATENT DOCUMENTS

6,116,166 A * 9/2000 Rotstein B60N 3/002
108/135
D601,484 S * 10/2009 Alfonso D12/133
D672,959 S * 12/2012 Denzinger D3/289
D688,043 S * 8/2013 Phillips D3/290
D784,908 S * 4/2017 Kalchuri D12/416
D795,789 S * 8/2017 Ehtesham D12/425
D819,545 S * 6/2018 O'Connor D12/416
10,000,158 B2 * 6/2018 Darrow A45C 3/00
10,052,992 B2 * 8/2018 Probst B60N 3/002

1 Claim, 8 Drawing Sheets



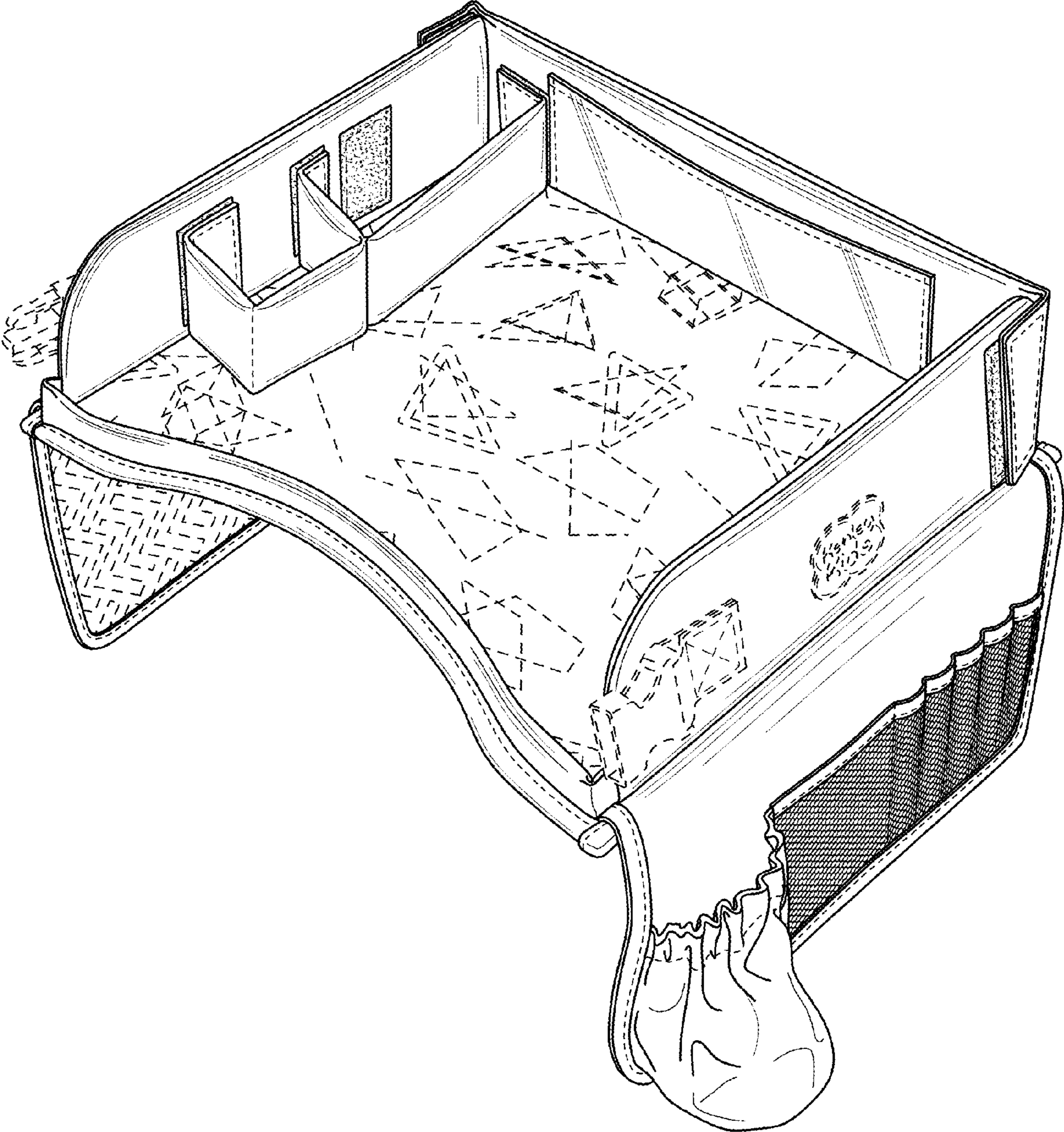


FIG. 1

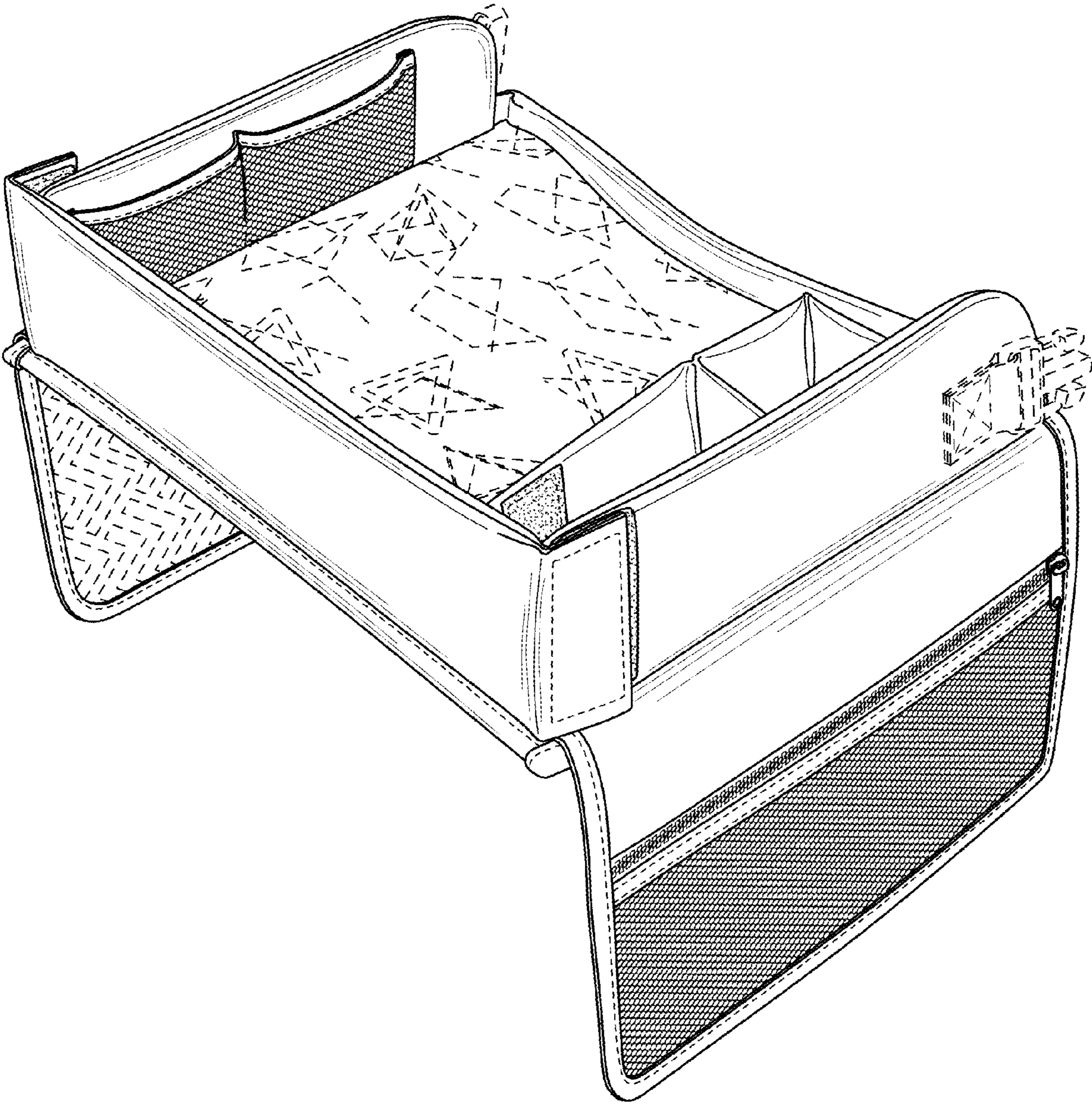


FIG. 2

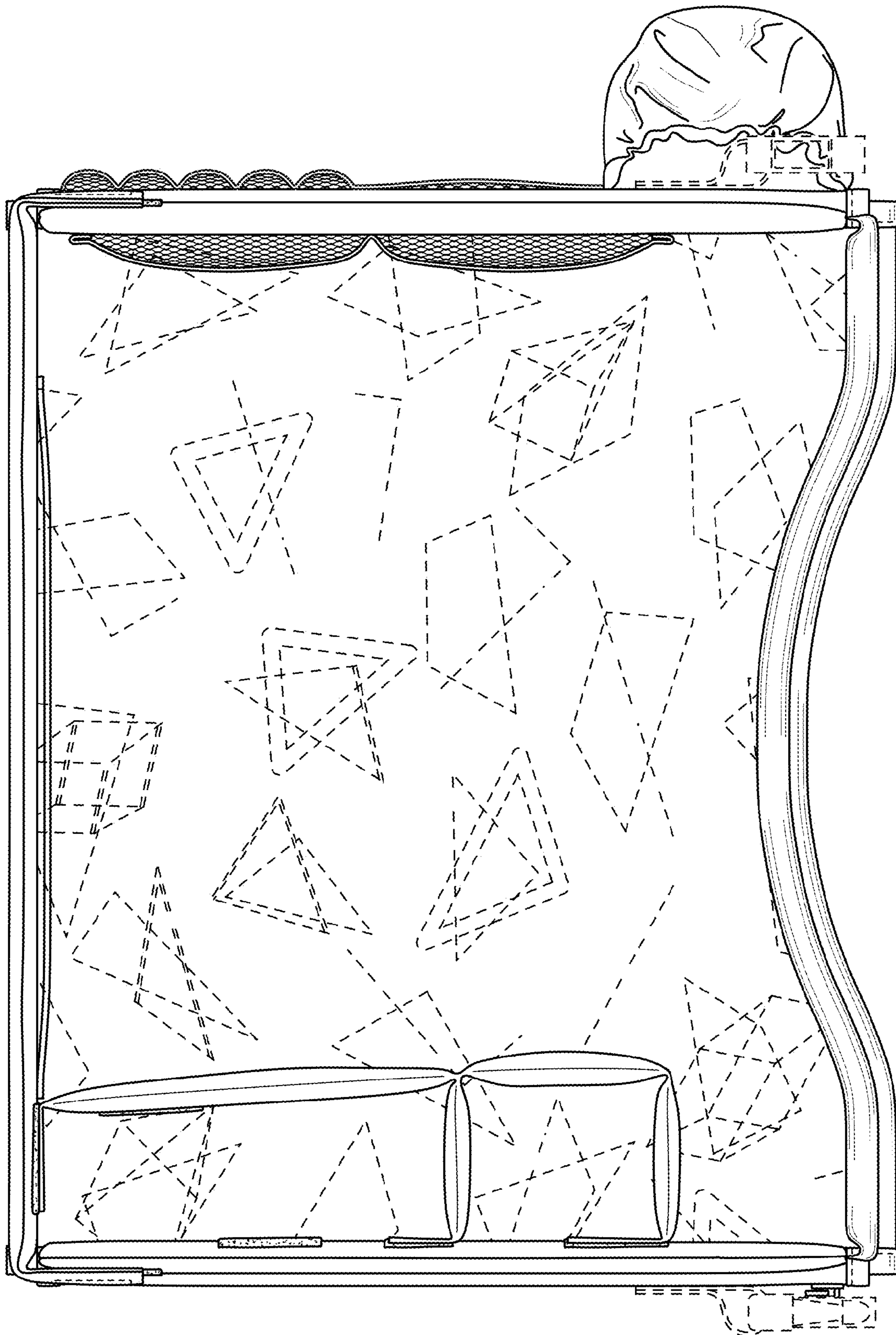


FIG. 3

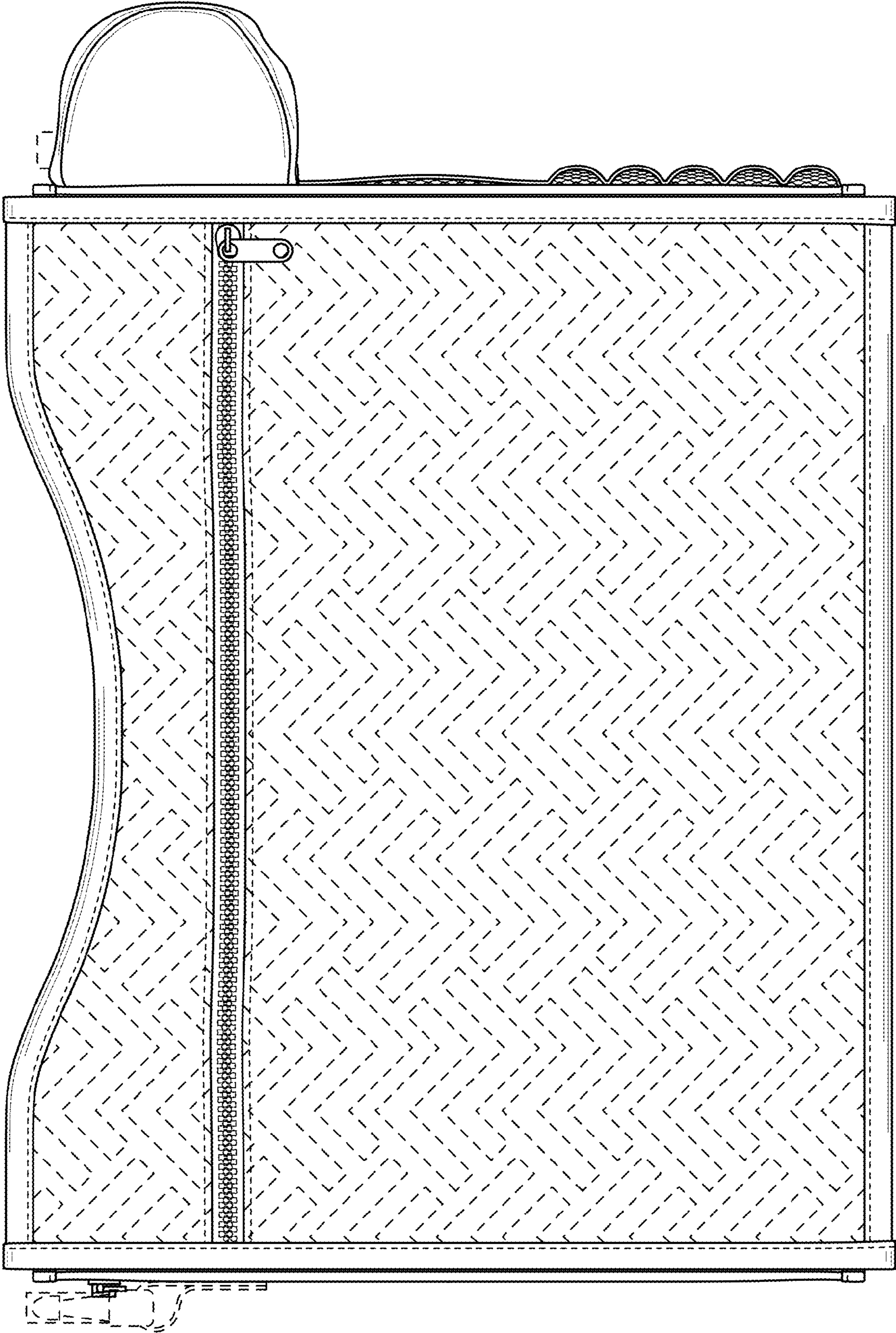


FIG. 4

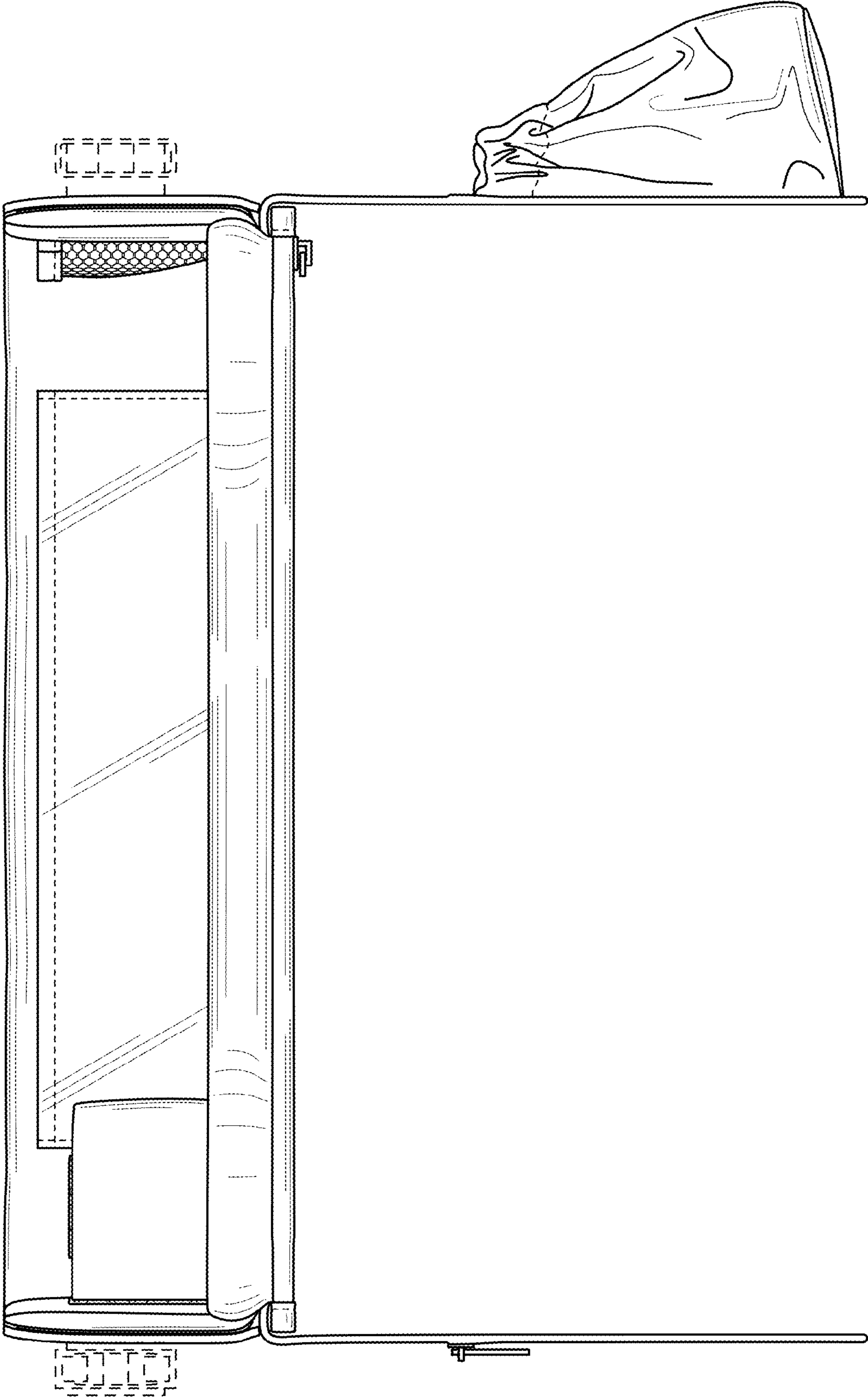


FIG. 5

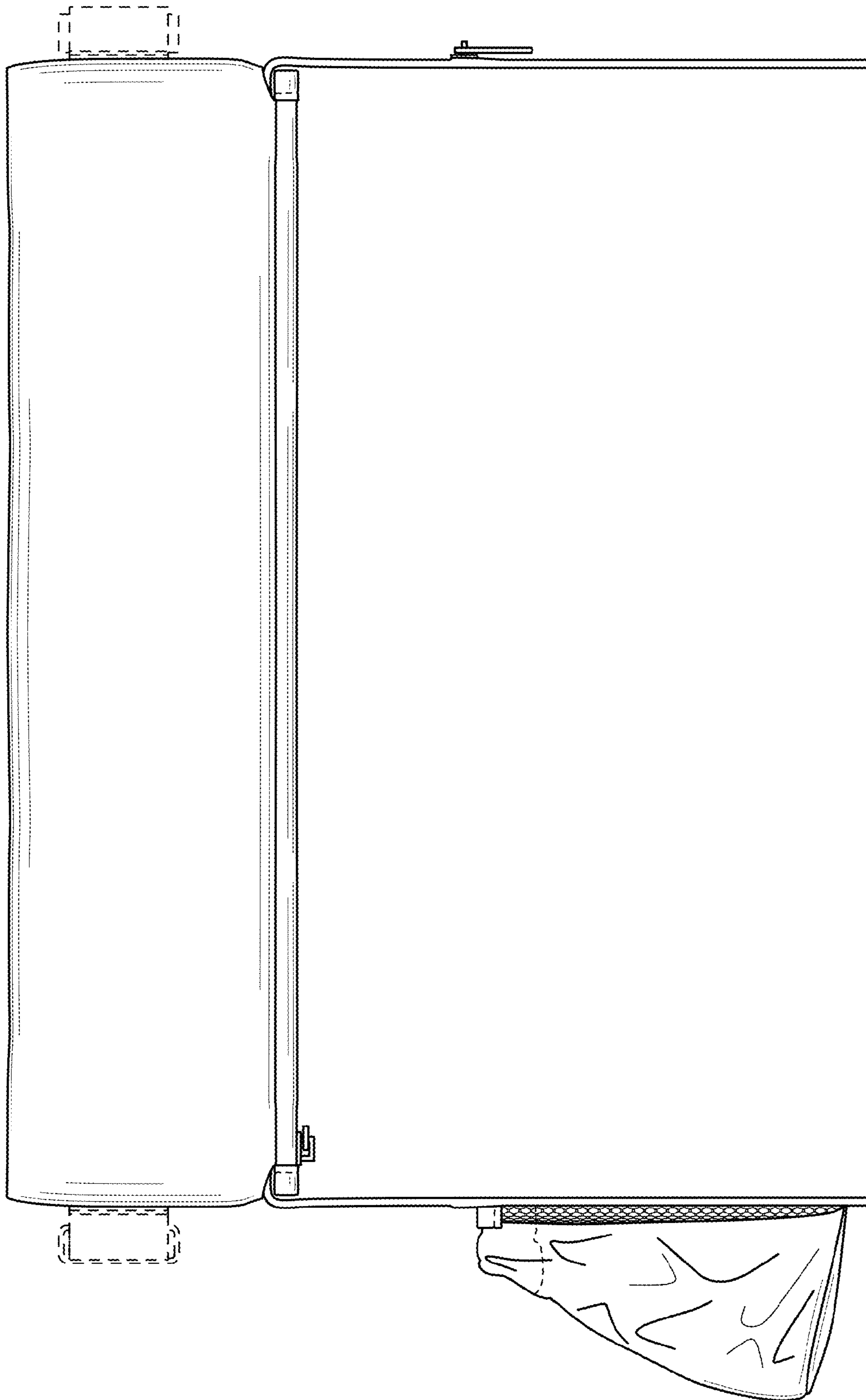


FIG. 6

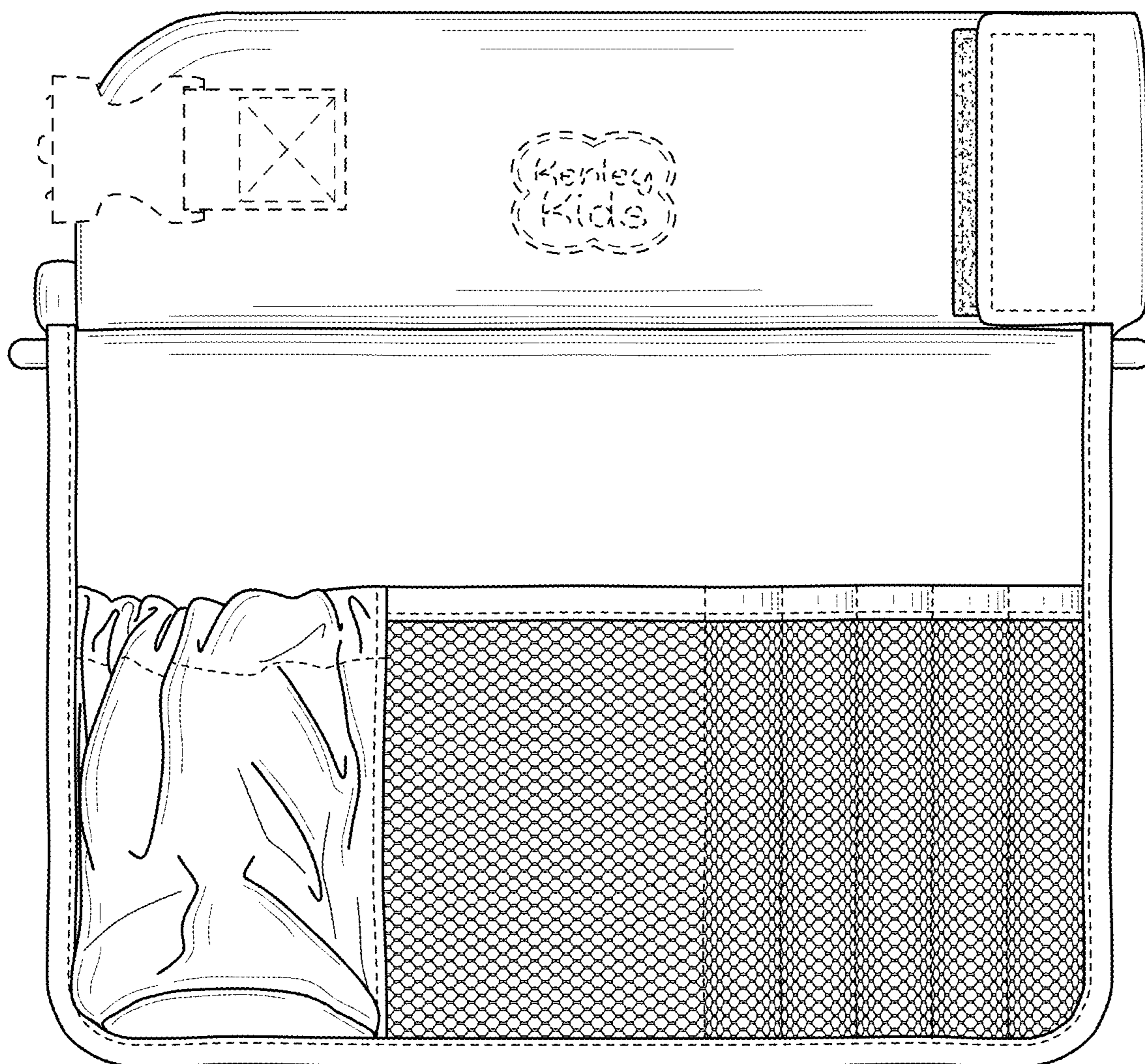


FIG. 7

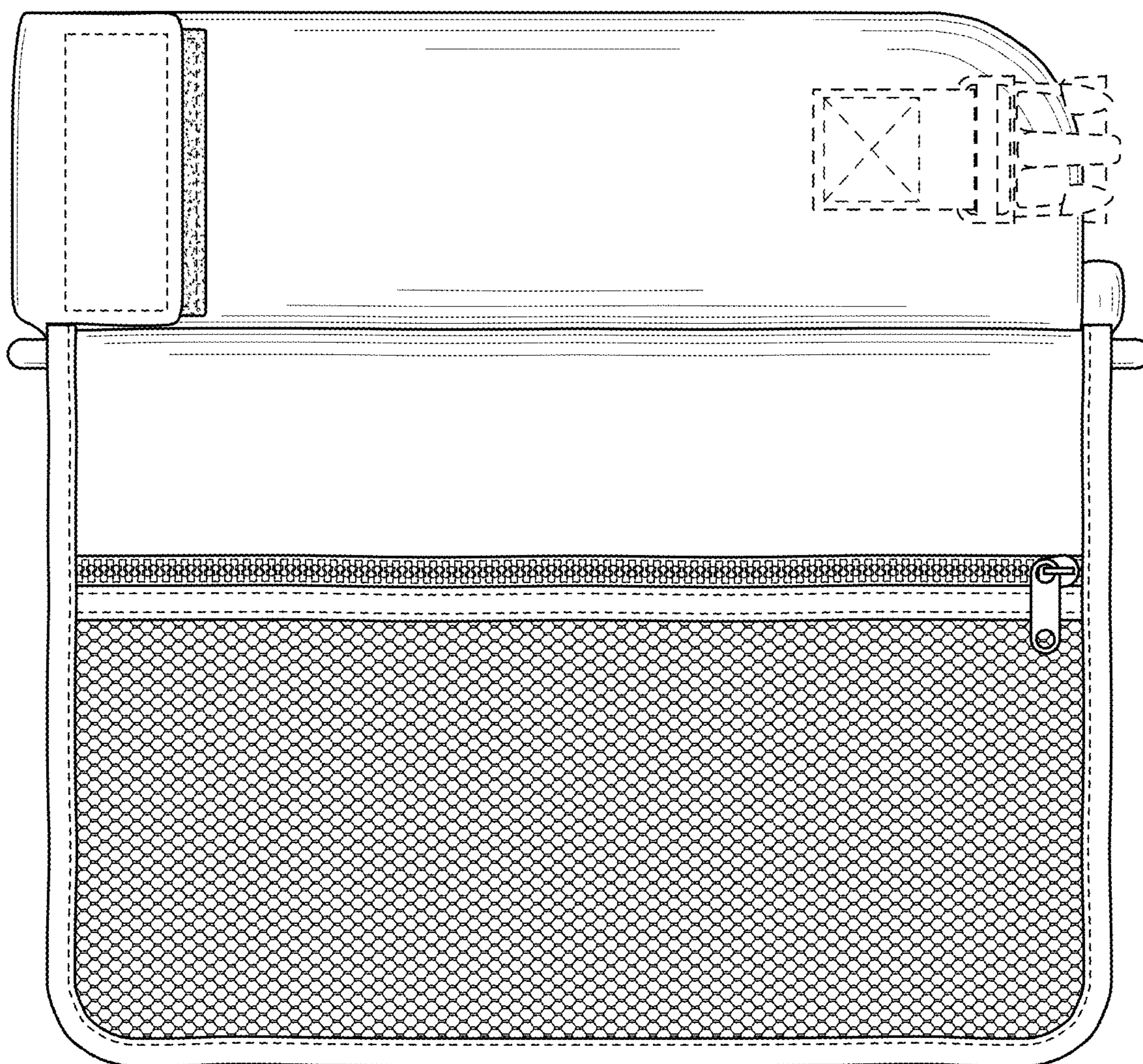


FIG. 8