



US00D924781S

(12) **United States Design Patent**
Keen

(10) **Patent No.:** **US D924,781 S**

(45) **Date of Patent:** **** Jul. 13, 2021**

(54) **EXTRUSION**

(71) Applicant: **Aluminium Industries Investments Pty Ltd**, Dandenong South (AU)

(72) Inventor: **Matthew William Keen**, Narre Warren South (AU)

(73) Assignee: **Aluminium Industries Investments Pty Ltd**, Dandenong South (AU)

(**) Term: **15 Years**

(21) Appl. No.: **29/626,493**

(22) Filed: **Nov. 17, 2017**

(30) **Foreign Application Priority Data**

May 17, 2017 (AU) 201712995

(51) **LOC (13) Cl.** **12-16**

(52) **U.S. Cl.**
USPC **D12/412**

(58) **Field of Classification Search**

USPC ... D12/400, 406, 412, 414, 414.1, 190, 223;
D25/120, 121, 122, 123, 124, 125;
D8/349, 354, 382, 371, 373
CPC B60R 9/04; B60R 9/048; B60R 9/052;
B60R 9/058; B60R 9/08
See application file for complete search history.

(56) **References Cited**

U.S. PATENT DOCUMENTS

4,501,385 A * 2/1985 Bott B60R 9/045
224/316
D317,050 S * 5/1991 Pavone D25/122
D317,051 S * 5/1991 Pavone D25/122
D410,429 S * 6/1999 Derektor D12/406
6,010,048 A * 1/2000 Settelmayer B60R 9/045
224/315
D570,500 S * 6/2008 Siemens D25/122

D633,031 S * 2/2011 Robertson D12/412
D639,098 S * 6/2011 Bosgoed D6/580
D639,143 S * 6/2011 Schaefer D8/354
8,087,557 B2 * 1/2012 Larsson B60R 9/045
224/321
D695,206 S * 12/2013 Eriksson D12/414
D732,703 S * 6/2015 Kreutzman D25/122
9,187,047 B2 * 11/2015 Sautter B60R 9/045
D855,551 S * 8/2019 Shen D12/412
D856,901 S * 8/2019 Elliott D12/412
D861,576 S * 10/2019 Cropley D12/412
D870,635 S * 12/2019 Keen D12/221
2001/0022312 A1 * 9/2001 Lundgren B60R 9/05
224/309

(Continued)

Primary Examiner — Sandra Snapp

Assistant Examiner — Ieisha N Price

(74) *Attorney, Agent, or Firm* — Richard A. Fagin

(57) **CLAIM**

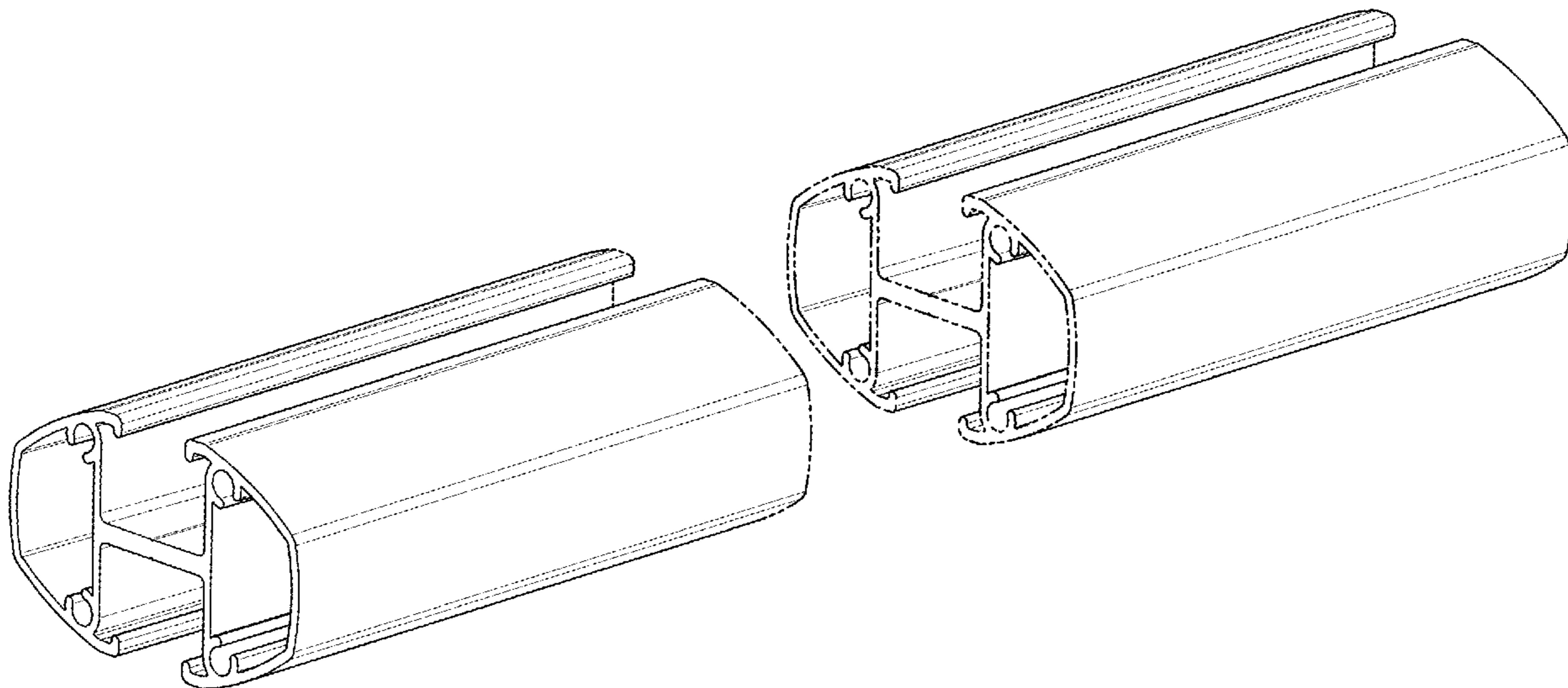
I claim the ornamental design for an extrusion, as shown and described.

DESCRIPTION

FIG. 1 is an above front perspective view of an extrusion showing my new design;
FIG. 2 is a below rear perspective view thereof;
FIG. 3 is a front view thereof;
FIG. 4 is a rear view thereof;
FIG. 5 is a left view thereof;
FIG. 6 is a right view thereof;
FIG. 7 is a top view thereof; and,
FIG. 8 is an underneath view thereof.

The extrusion is shown with a symbolic break in its length, which break is rendered in dot-dot-dash broken lines. The appearance of any portion of the article between the break lines forms no part of the claimed design. The dot-dot-dash broken lines in the drawings define the bounds of the claim and form no part of the claimed design.

1 Claim, 6 Drawing Sheets



(56)

References Cited

U.S. PATENT DOCUMENTS

2004/0211801 A1* 10/2004 Barbara B60R 9/045
224/319
2015/0122857 A1* 5/2015 Ferman B60R 9/058
224/309
2015/0151686 A1* 6/2015 Chang B60R 9/058
224/321
2015/0321618 A1* 11/2015 Almhill F16M 13/02
224/331
2016/0229349 A1* 8/2016 Cropley B60R 9/058
2016/0332581 A1* 11/2016 Almhill B60R 9/058
2017/0050576 A1* 2/2017 Ferman H04B 17/11
2019/0111853 A1* 4/2019 Bergman B60R 9/05
2020/0148126 A1* 5/2020 Griffith B60R 9/045

* cited by examiner

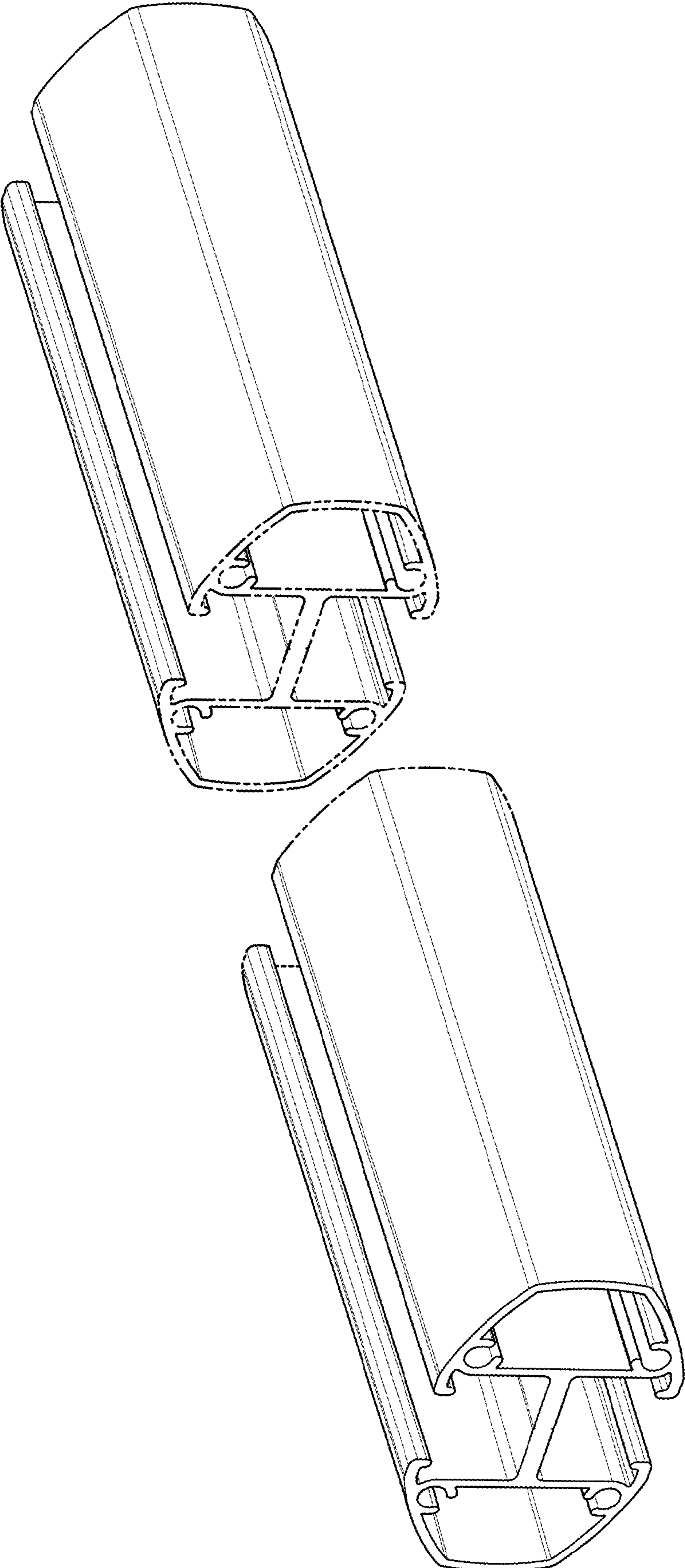


FIG. 1

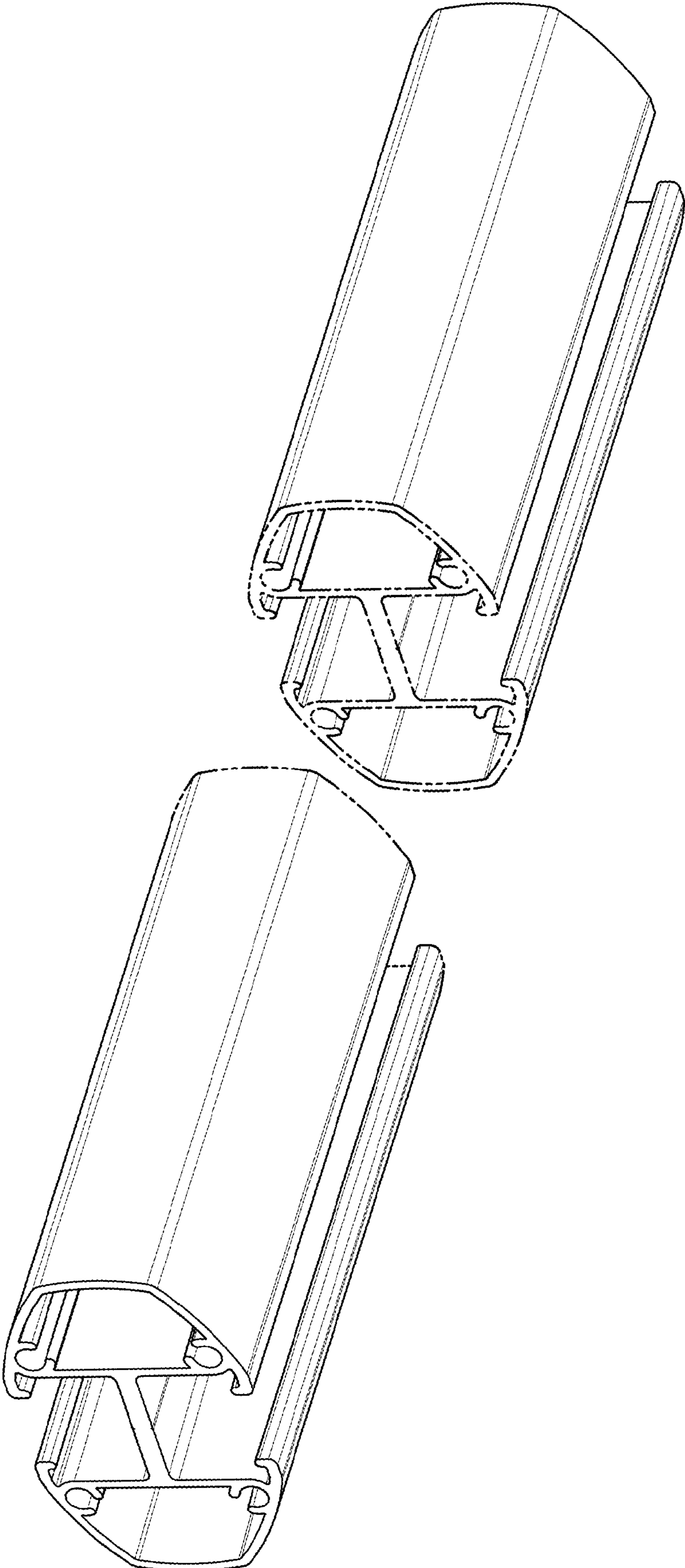


FIG. 2

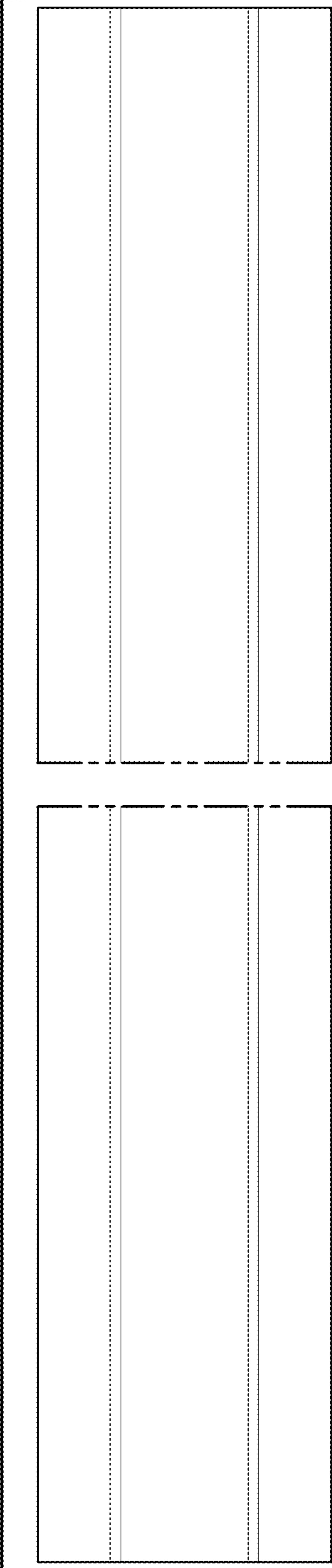


FIG. 3

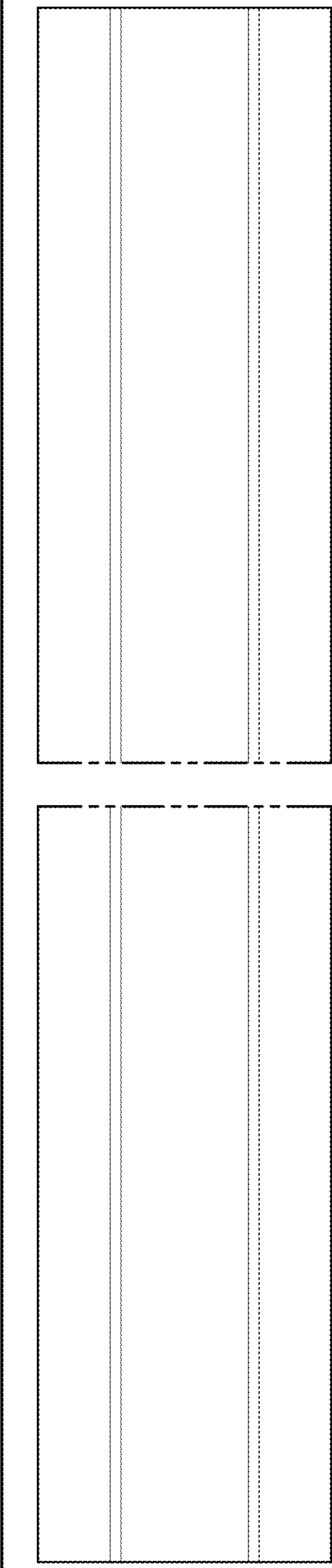


FIG. 4

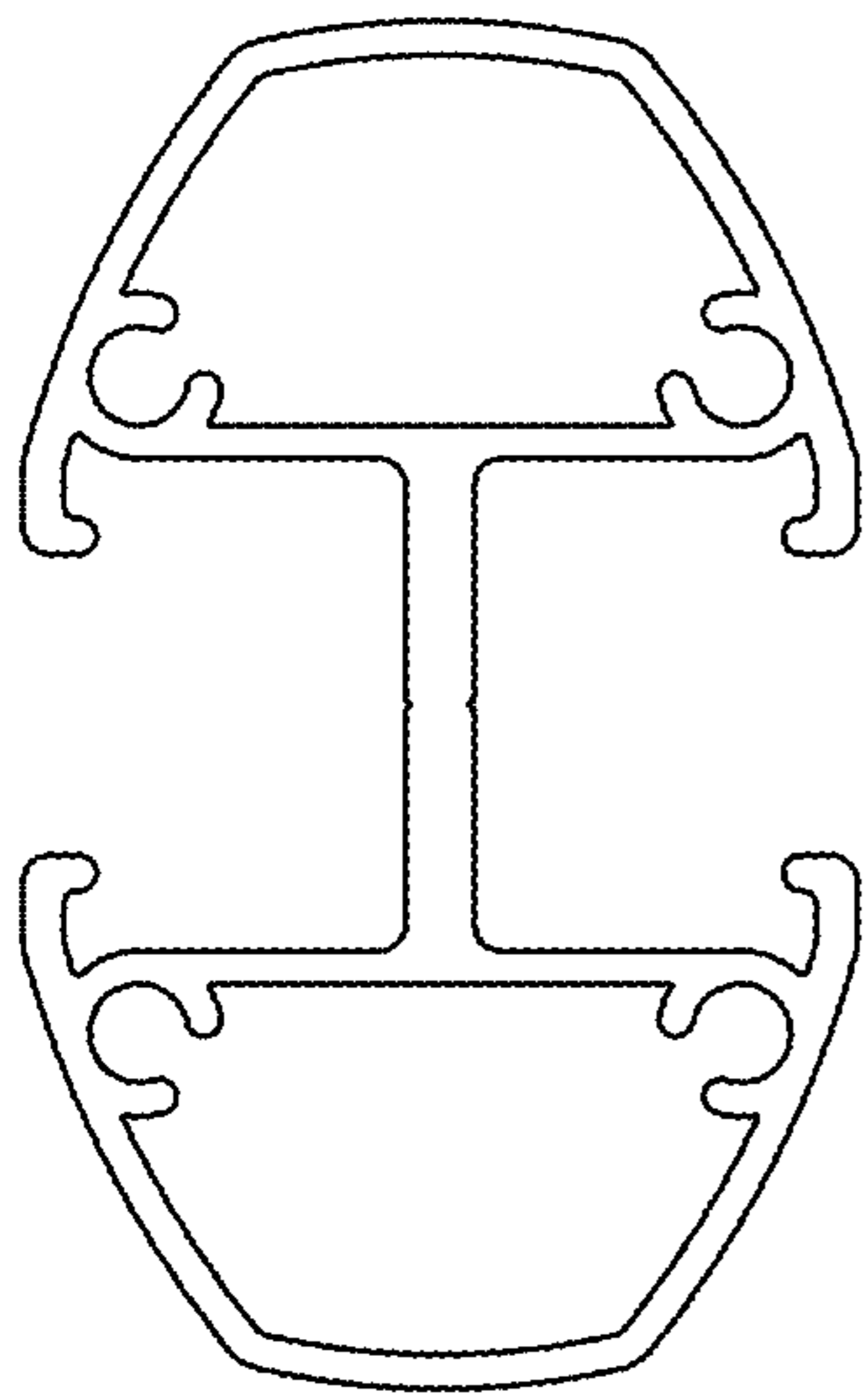


FIG. 5

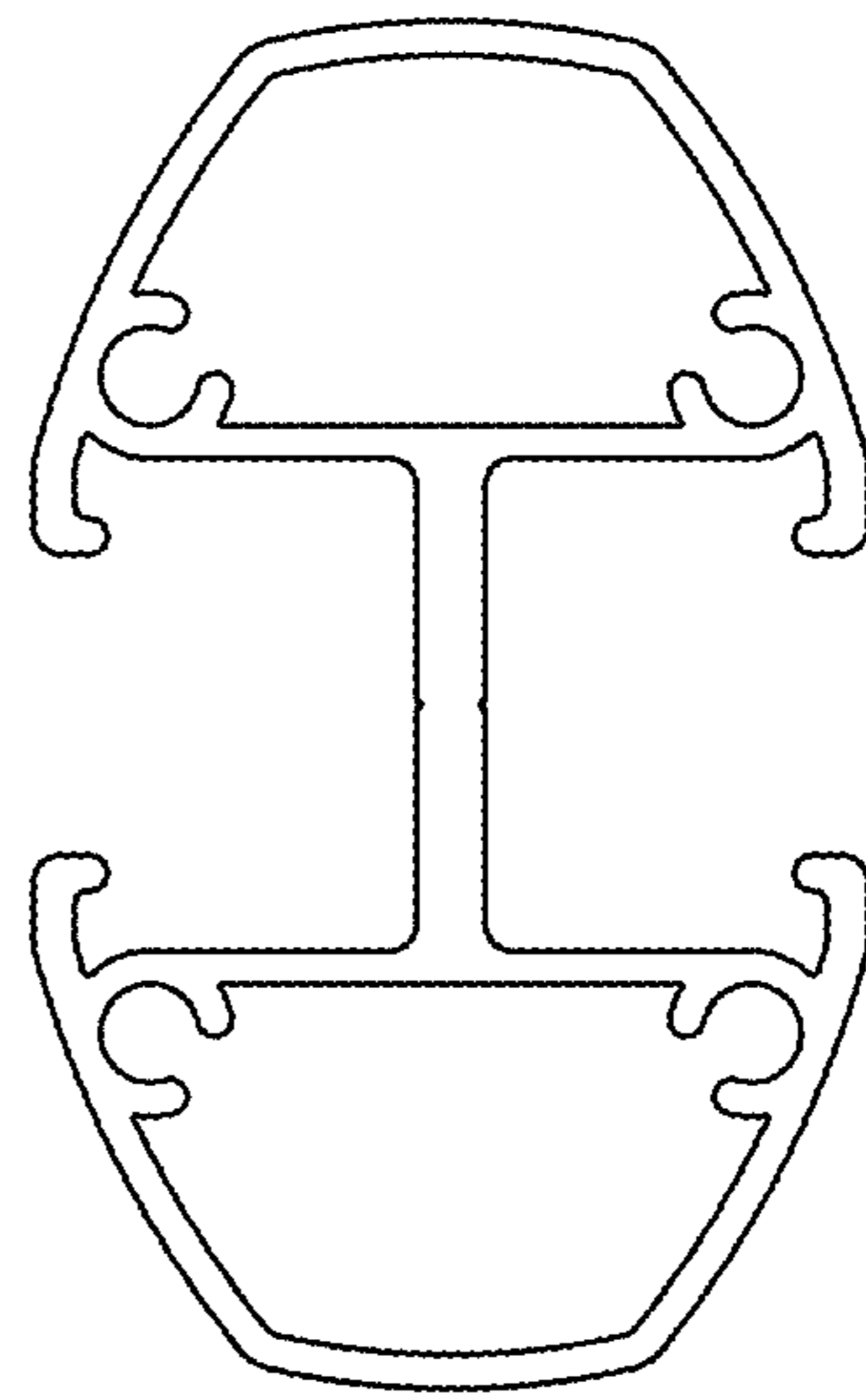


FIG. 6

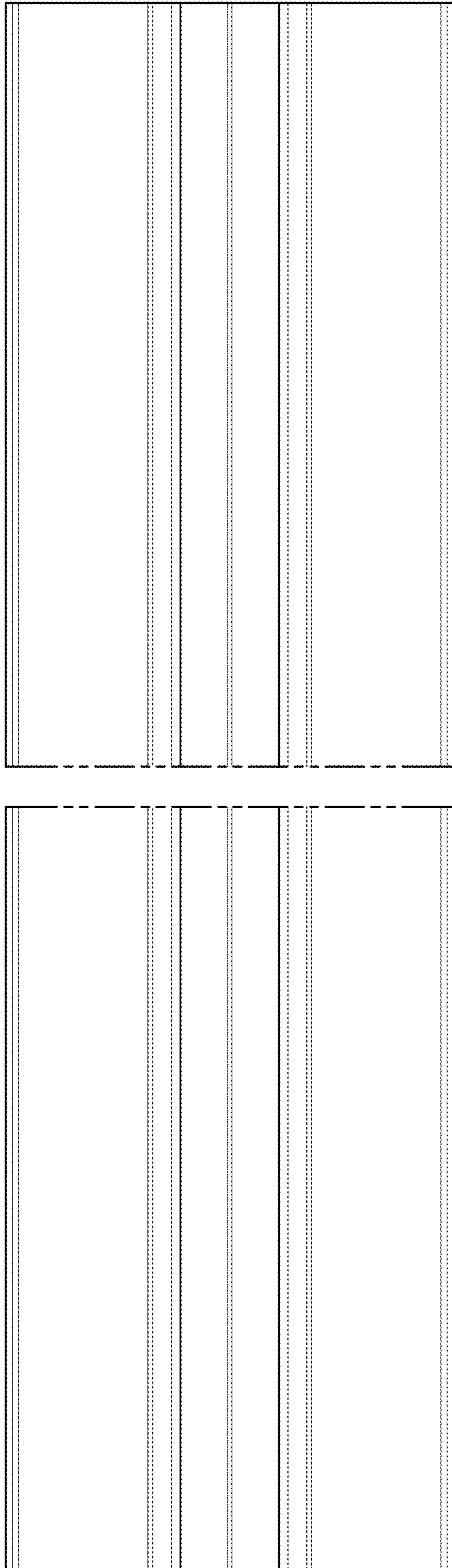


FIG. 7

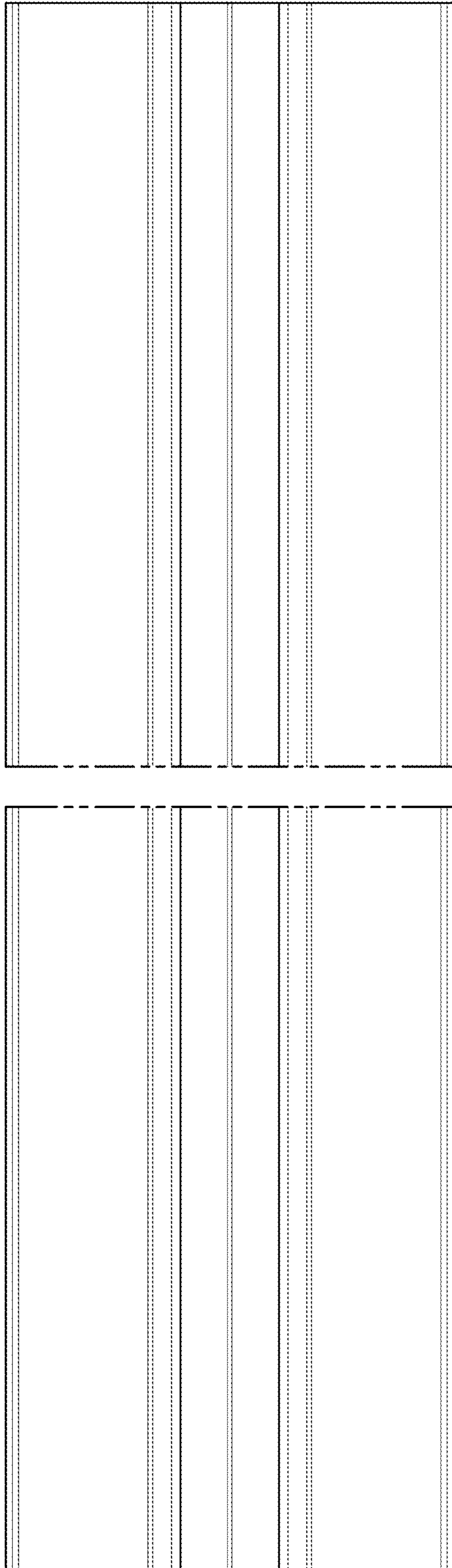


FIG. 8