



US00D924780S

(12) **United States Design Patent** (10) **Patent No.:** **US D924,780 S**
Stoner (45) **Date of Patent:** **** Jul. 13, 2021**

(54) **TILT LOADING GAME CARRIER**
(71) Applicant: **Michael Stoner**, McMinnville, TN (US)
(72) Inventor: **Michael Stoner**, McMinnville, TN (US)
(**) Term: **15 Years**

D472,690 S 4/2003 Grover
6,589,004 B2 7/2003 Reed
6,609,481 B1 8/2003 McCarty
6,638,001 B1 10/2003 McKinley
D518,269 S 3/2006 Henshaw
7,185,911 B1 3/2007 Leverett
7,293,680 B1 11/2007 Wawerski

(Continued)

(21) Appl. No.: **29/699,099**

(22) Filed: **Jul. 23, 2019**

(51) **LOC (13) Cl.** **12-16**

(52) **U.S. Cl.**
USPC **D12/406**

(58) **Field of Classification Search**
USPC D12/401-414; D6/610, 611, 552;
D3/304-306

CPC B60R 9/00; B60R 9/02; B60R 9/04; B60R
9/08; B60R 9/042; B60R 9/0423; B60R
9/0426; B60R 9/045; B60R 9/048; B60R
9/0485; B60R 9/05; B60R 9/052; B60R
9/055; B60R 9/058; B60R 9/06; B60R
9/065; B60R 9/10; B60R 9/12

See application file for complete search history.

(56) **References Cited**

U.S. PATENT DOCUMENTS

63,037 A	3/1867	Green
2,669,373 A	2/1954	Coit, Jr.
3,993,207 A	11/1976	Jones
4,214,849 A	7/1980	Downing
D273,243 S	3/1984	Lujan, Jr.
D298,378 S	11/1988	Eckstedt
4,830,147 A	5/1989	Kawada
4,854,421 A	8/1989	Kawada
4,948,077 A	8/1990	Gonzalez
5,211,124 A	5/1993	Reiser
5,911,556 A	6/1999	Caldwell
6,042,327 A	3/2000	DeLeo
6,059,527 A	5/2000	Ranken
6,102,647 A	8/2000	Yap
6,203,266 B1	3/2001	Savaria
6,435,801 B2	8/2002	Talbott

OTHER PUBLICATIONS

Hook-A-Rack web page, ATV Loader and ATV Game Hauler, dated Nov. 16, 2016 3 pages.

(Continued)

Primary Examiner — Katrina A Betton
(74) *Attorney, Agent, or Firm* — Knox Patents; Thomas A. Kulaga

(57) **CLAIM**

The ornamental design for a tilt loading game carrier, as shown and described.

DESCRIPTION

FIG. 1 is a view showing the top, rear, and right side of a tilt loading game carrier in a condition of use showing my new design.

FIG. 2 is a front plan view thereof.

FIG. 3 is a rear plan view thereof.

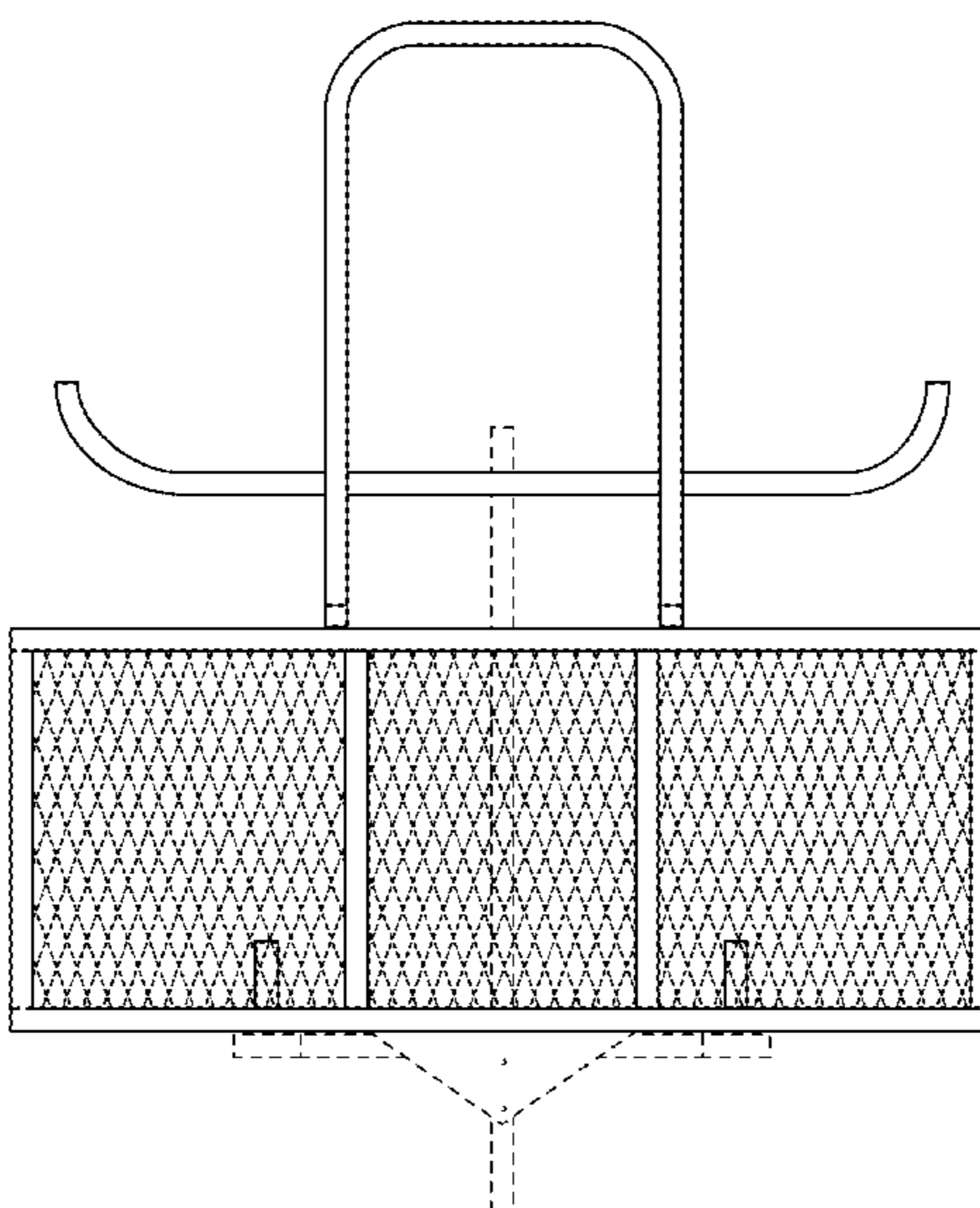
FIG. 4 is a top plan view thereof.

FIG. 5 is a bottom plan view thereof; and,

FIG. 6 is a right side view thereof; the left side view being a mirror image of the left side.

The platform shown in broken lines are for the purposes of illustrating portions of the tilt loading game carrier, which form no part of the claimed design. The hitch support structure shown in broken lines are for the purpose of illustrating environmental structure, which form no part of the claimed design.

1 Claim, 5 Drawing Sheets



(56)

References Cited

U.S. PATENT DOCUMENTS

7,293,951 B2 11/2007 Meeks
7,296,959 B2 11/2007 Davis
7,316,339 B2* 1/2008 Zhang B60R 9/06
224/42.34
7,918,165 B2 4/2011 Owen
7,926,618 B2 4/2011 Zuercher
D653,833 S 2/2012 Thompson
D672,523 S 12/2012 Taylor
8,398,358 B2 3/2013 L'Ecuyer
8,562,279 B2 10/2013 Beck
D703,906 S 4/2014 Gann
8,783,419 B2 7/2014 Zuercher
8,807,283 B2 8/2014 Shell
D751,787 S 3/2016 Taylor
D751,788 S 3/2016 Taylor
D787,771 S 5/2017 Shugen
D841,276 S 2/2019 Lehmann
D844,278 S 3/2019 Iotti
D881,791 S * 4/2020 Ni D12/406
D890,685 S * 7/2020 Chen D12/406

D894,091 S * 8/2020 Morris D12/412
D909,282 S * 2/2021 Cheng D12/406
D911,253 S * 2/2021 Wang D12/406
2004/0163567 A1 8/2004 Eldridge
2006/0104767 A1 5/2006 Dugger et al.
2006/0151555 A1* 7/2006 Mills B60R 9/06
224/509
2009/0277856 A1* 11/2009 Lin B60R 9/06
211/195
2010/0001029 A1* 1/2010 Tai B60R 9/06
224/499
2017/0225599 A1* 8/2017 Russo B60D 1/58
2018/0162708 A1 6/2018 Pithoud
2019/0077329 A1* 3/2019 Sablatura B60R 9/06

OTHER PUBLICATIONS

USPTO, Notice of Allowance and Fee(s) Due, dated Jul. 11, 2019, 15 pages, U.S. Appl. No. 29/637,433, filed Feb. 29, 2018, Confirmation No. 6817.

* cited by examiner

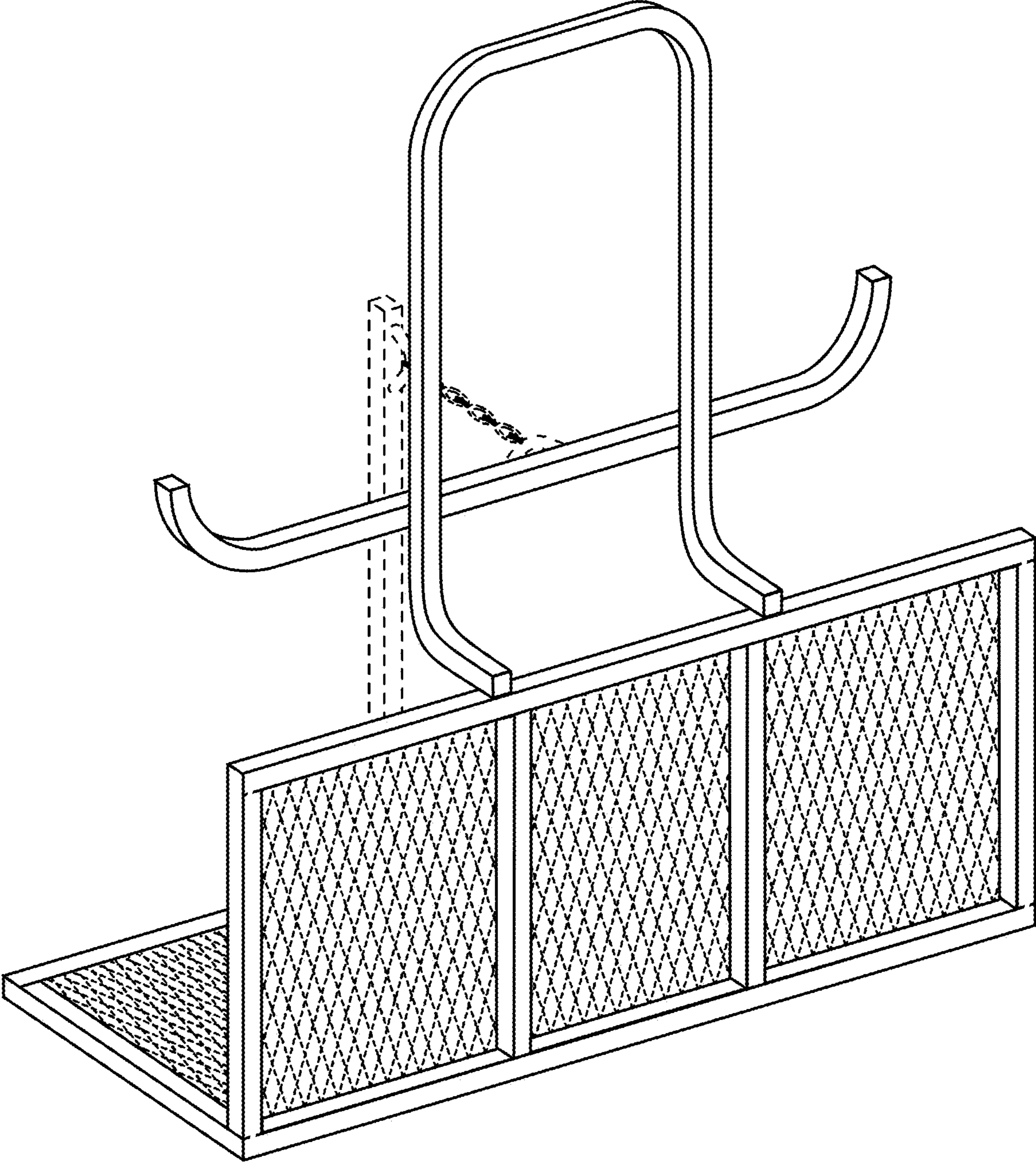


Fig. 1

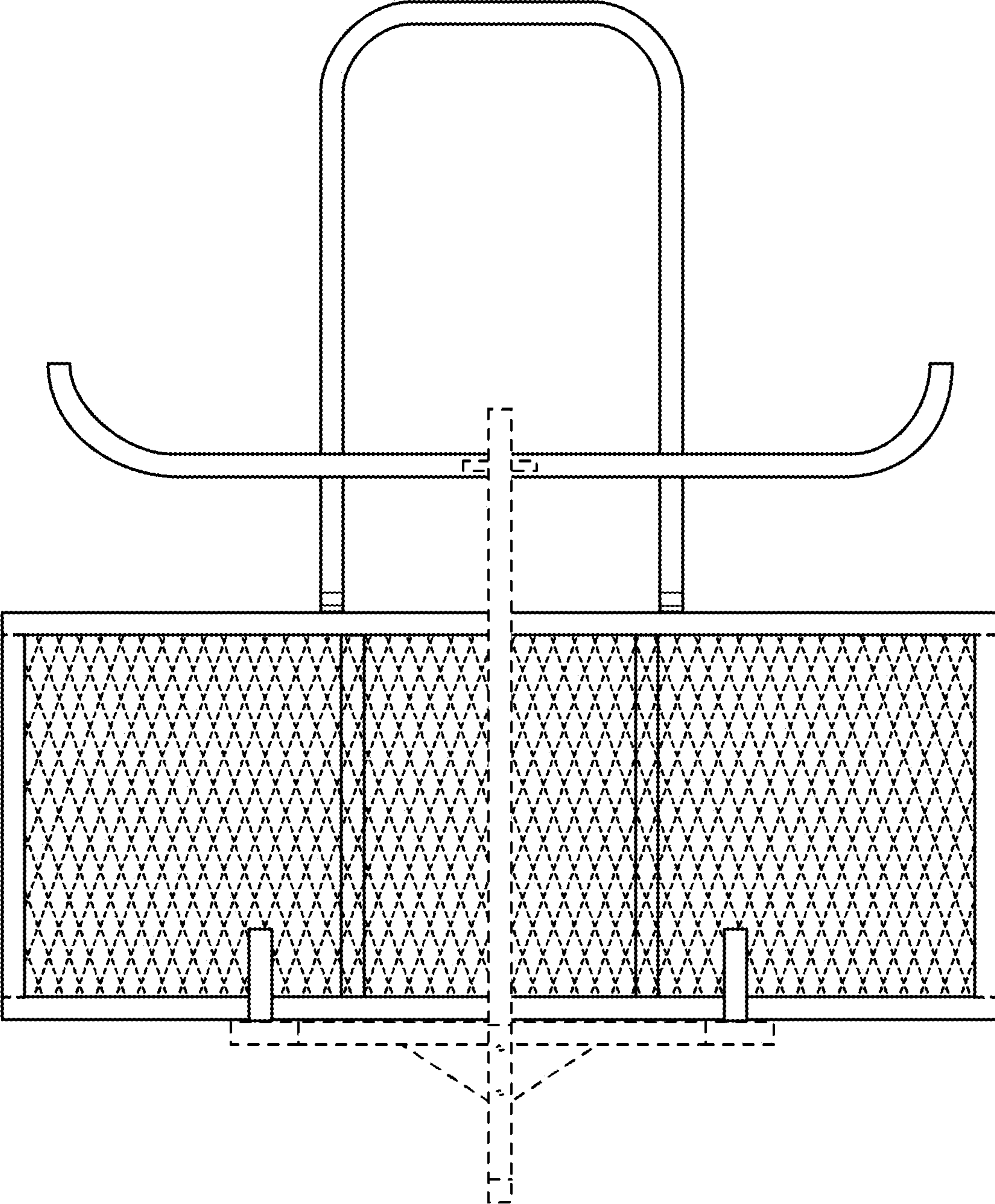


Fig. 2

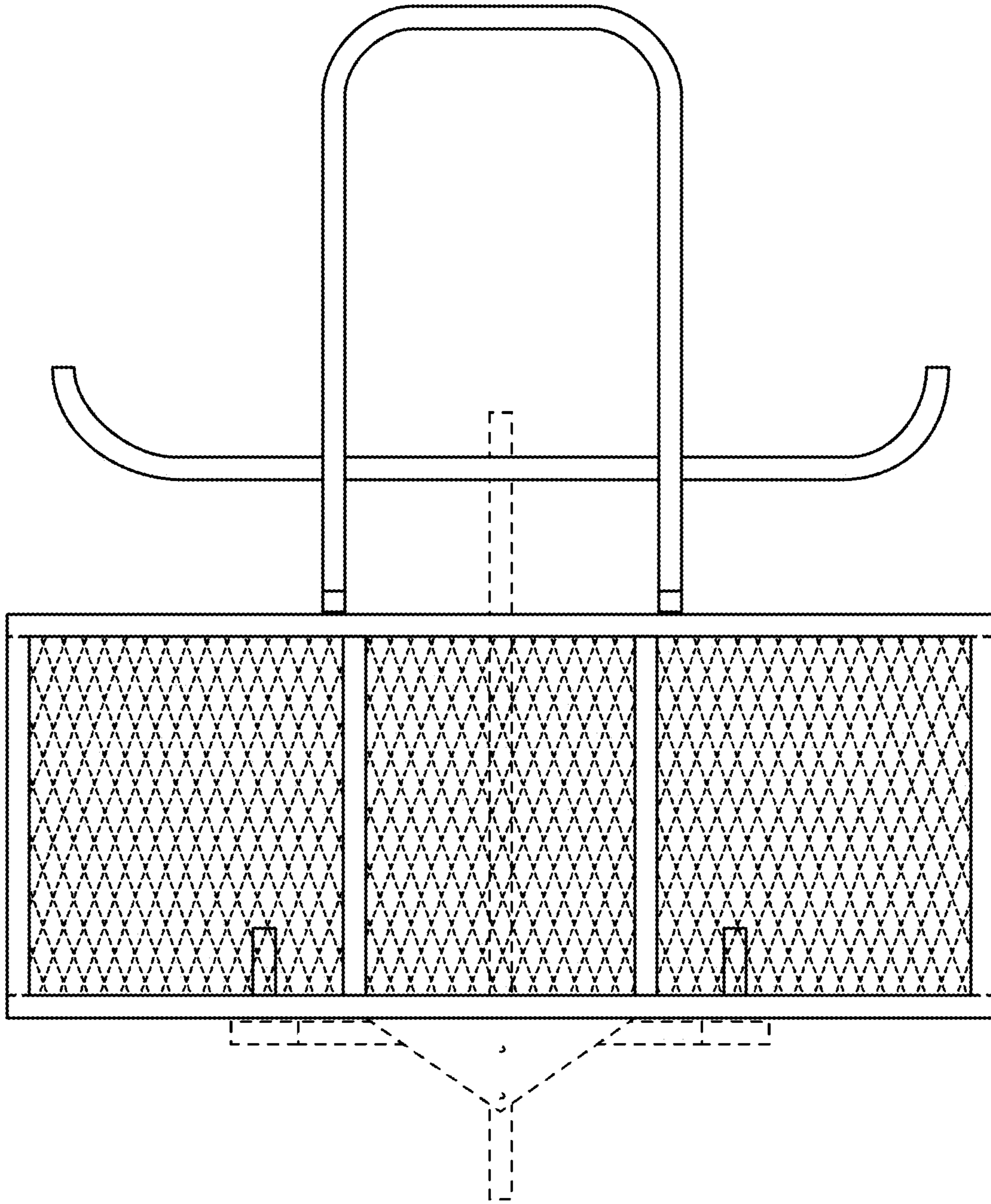


Fig. 3

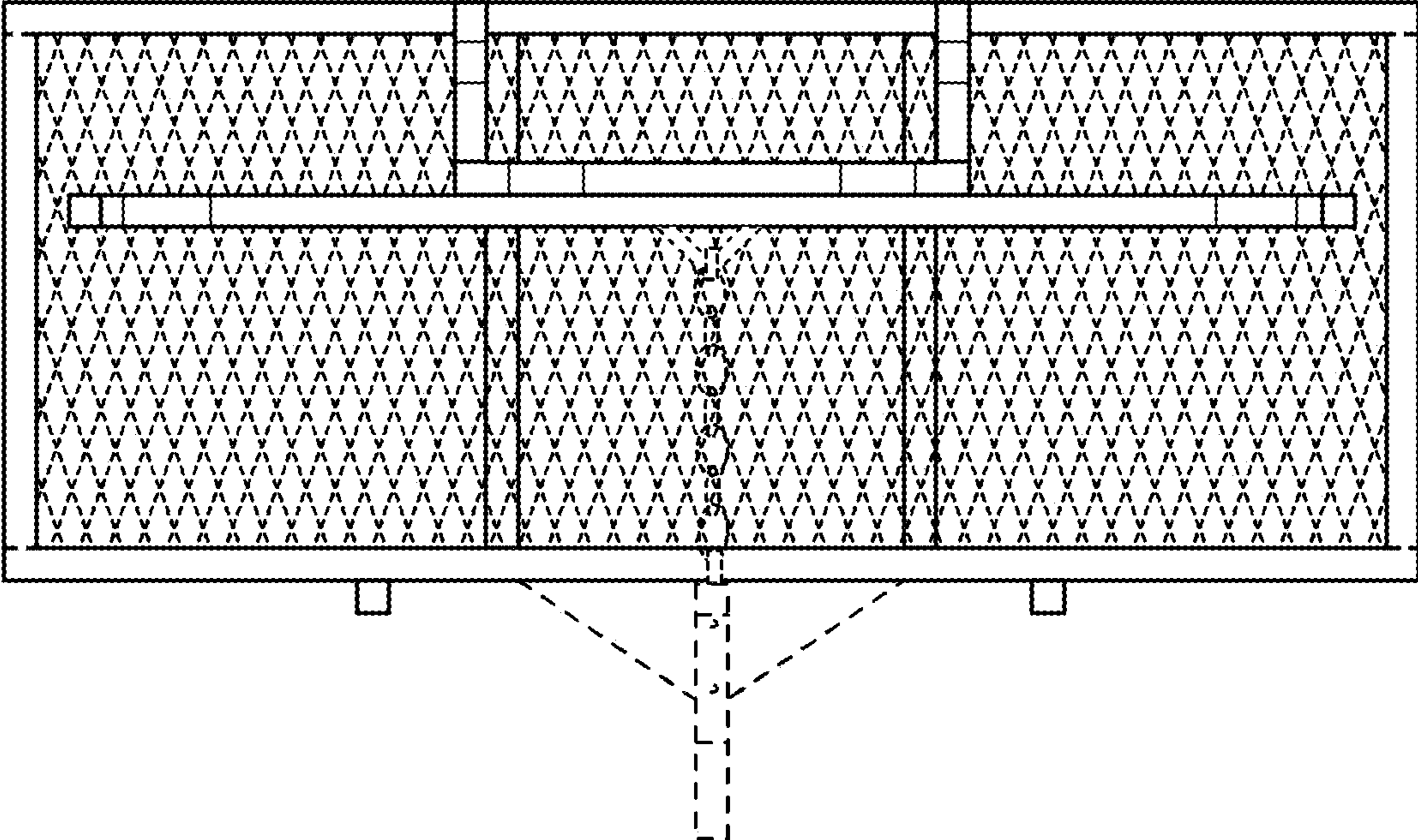


Fig. 4

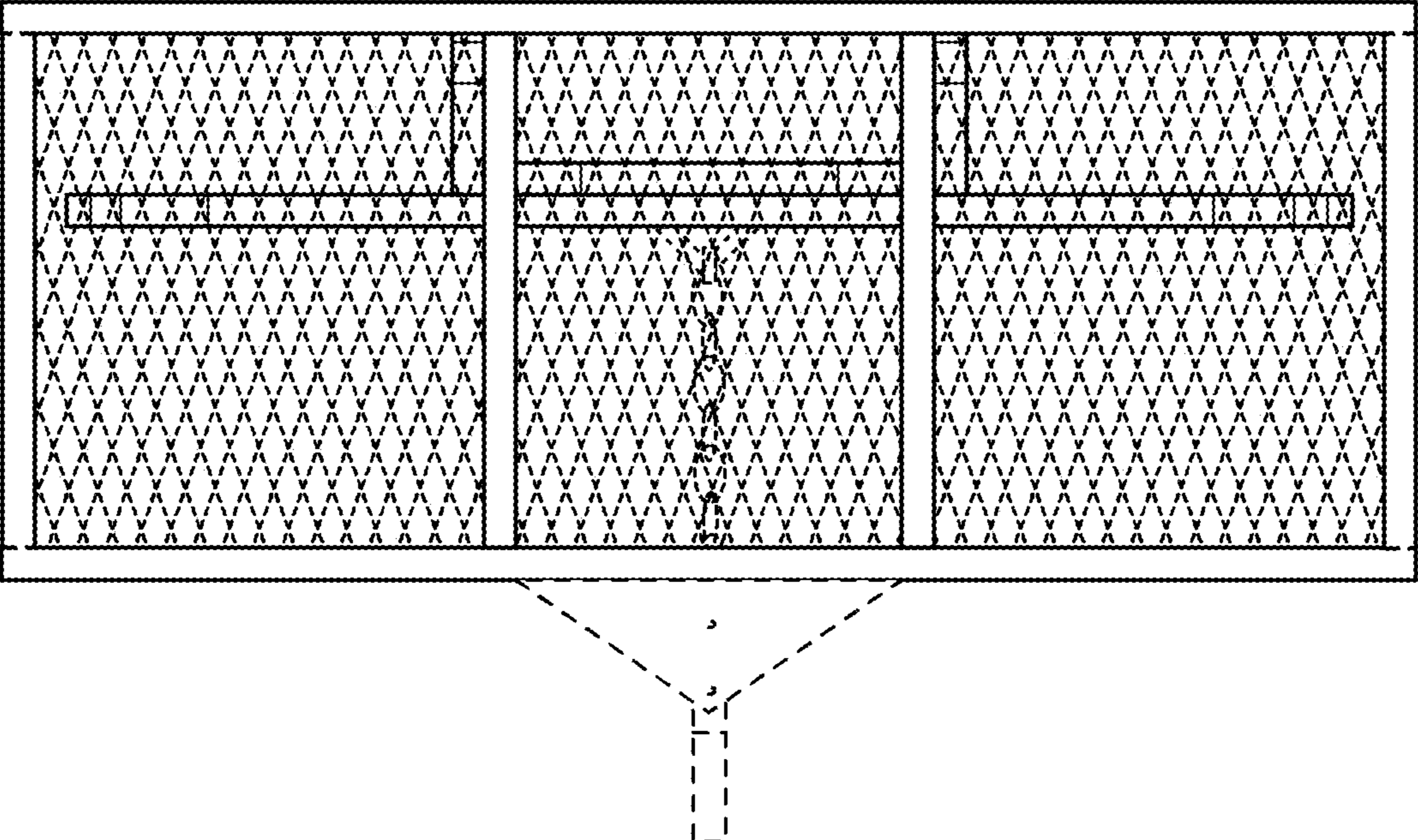


Fig. 5

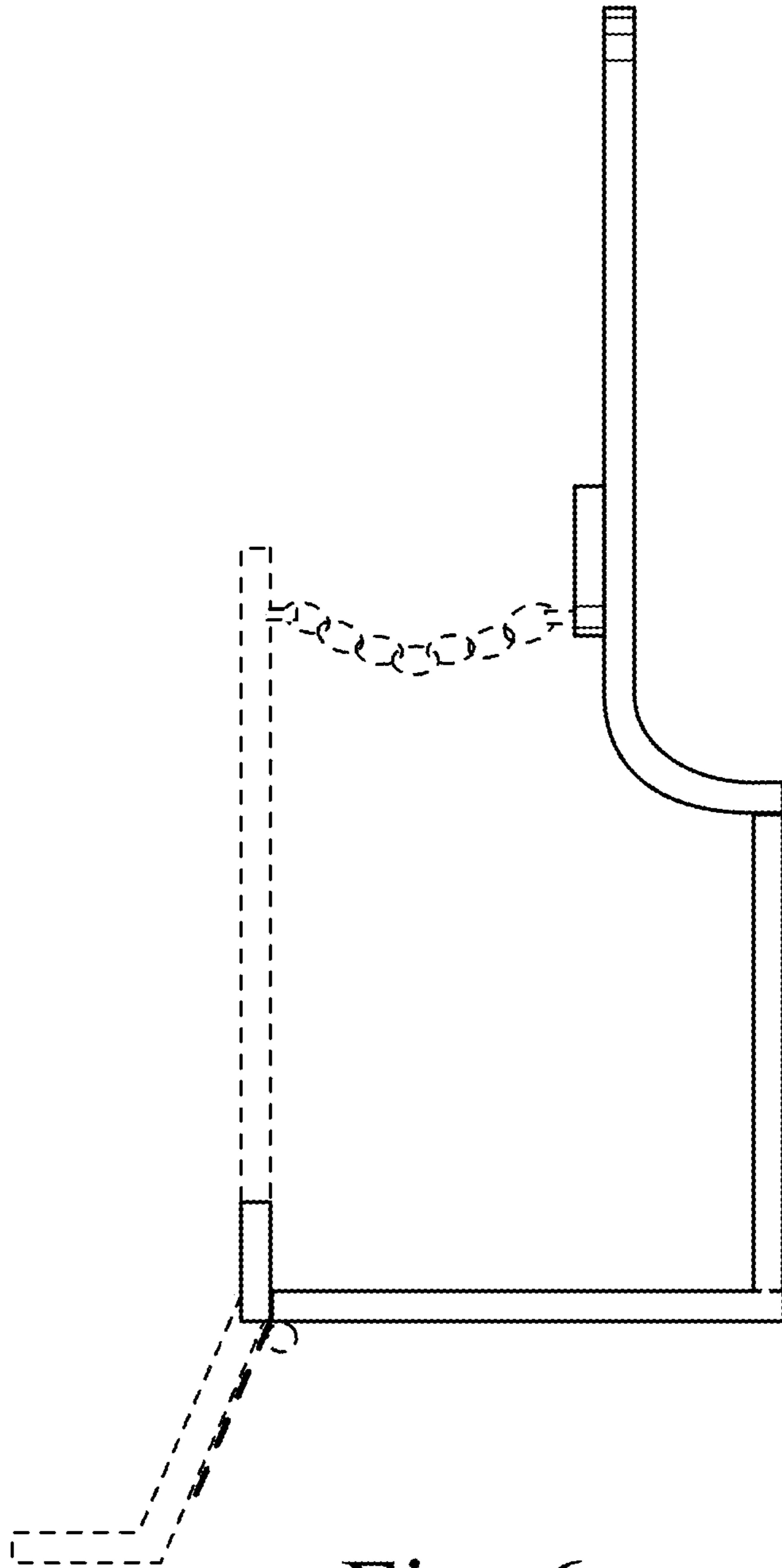


Fig. 6