



US00D924779S

(12) **United States Design Patent** (10) **Patent No.:** **US D924,779 S**
Emerson et al. (45) **Date of Patent:** **** Jul. 13, 2021**

(54) **SPOILER**

D852,725 S * 7/2019 Feng D12/401
D859,282 S * 9/2019 Dowdey D12/401
D867,231 S * 11/2019 Lascurain D12/167

(71) Applicant: **A.R.E. ACCESSORIES LLC**, Ann Arbor, MI (US)

(72) Inventors: **Tate Matthew Emerson**, Wooster, OH (US); **Todd Dreher**, Orrville, OH (US); **Christian A. Watson**, Canton, OH (US); **Bryan Baker**, Massillon, OH (US); **Todd A. Hoffman**, Canton, OH (US); **Robert Mosingo**, Saline, MI (US)

(73) Assignee: **A.R.E. ACCESSORIES LLC**, Ann Arbor, MI (US)

(**) Term: **15 Years**

(21) Appl. No.: **29/668,009**

(22) Filed: **Oct. 26, 2018**

(51) **LOC (13) Cl.** **12-16**

(52) **U.S. Cl.**
USPC **D12/401**

(58) **Field of Classification Search**
USPC D12/401-405; D6/610, 611, 596, D6/601-603, 615, 617, 621; D7/332, D7/334-337
CPC ... B60J 7/11; B60J 1/2091; B60J 11/04; B60J 7/024; B60J 7/0435; B60J 7/19; E04H 15/08

See application file for complete search history.

(56) **References Cited**

U.S. PATENT DOCUMENTS

D326,078 S * 5/1992 Rogers D12/181
D574,315 S * 8/2008 Swails D12/401
D665,722 S * 8/2012 Fujita D12/401
D723,450 S * 3/2015 Holubar D12/401
D728,450 S * 5/2015 Yen D12/401
D765,013 S * 8/2016 Hindelang D12/401
D847,078 S * 4/2019 Rolfs D12/401

OTHER PUBLICATIONS

“New 2017 GMC Yukon Denali 4WD”, Cochran.com, Buick GMC Monroeville., last accessed Dec. 12, 2018.

“2018 Land Rover Range Rover Sport Supercharged Dynamic SUV V-8 CYL”, LandroverRoanoke.com, Land Rover Roanoke., last accessed Dec. 12, 2018.

“SnugTop’s Latest Product Updates”, SnugTop, The Perfect Fit, Truck Caps, Tonneau Covers, Camper Shells & Toppers, last accessed Dec. 12, 2018.

“100XQ Sport”, Leer, <http://www.leer.com/100XQ-Sport>, last accessed Dec. 12, 2018.

* cited by examiner

Primary Examiner — Katrina A Betton

(74) *Attorney, Agent, or Firm* — The Dobrusin Law Firm, P.C.; Bryan S. Lemanski

(57) **CLAIM**

The ornamental design for a spoiler, as shown and described.

DESCRIPTION

FIG. 1 is a perspective view of a spoiler showing our new design;

FIG. 2 is a perspective view thereof;

FIG. 3 is a back elevational view thereof;

FIG. 4 is a front elevational view thereof;

FIG. 5 is a top elevational view thereof;

FIG. 6 is a bottom view thereof;

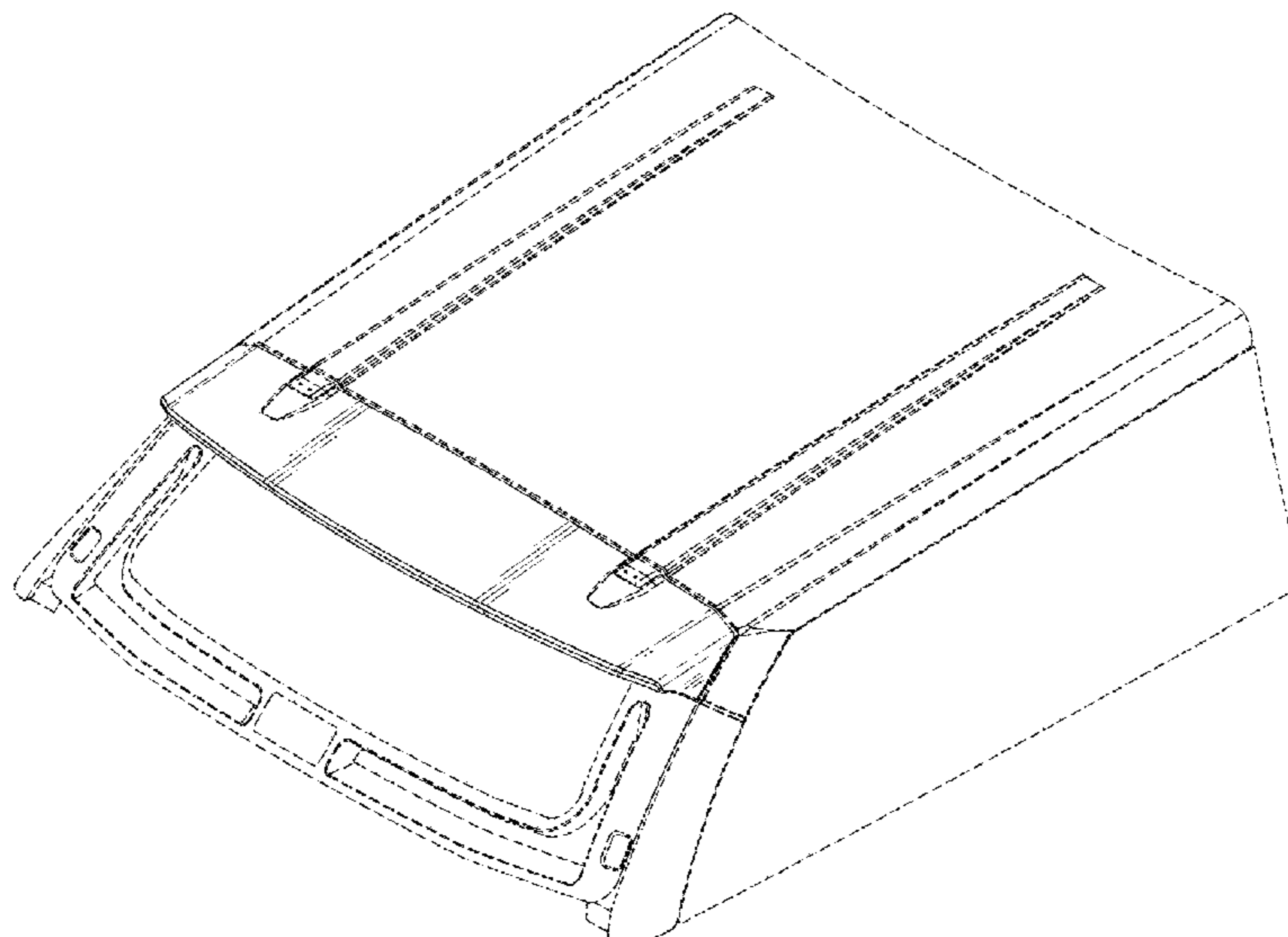
FIG. 7 is a first side elevational view thereof;

FIG. 8 is a second side elevational view hereof; and,

FIG. 9 is another perspective view thereof.

The broken lines which define the bounds of the claimed design form no part thereof and are used to show environmental structure.

1 Claim, 5 Drawing Sheets



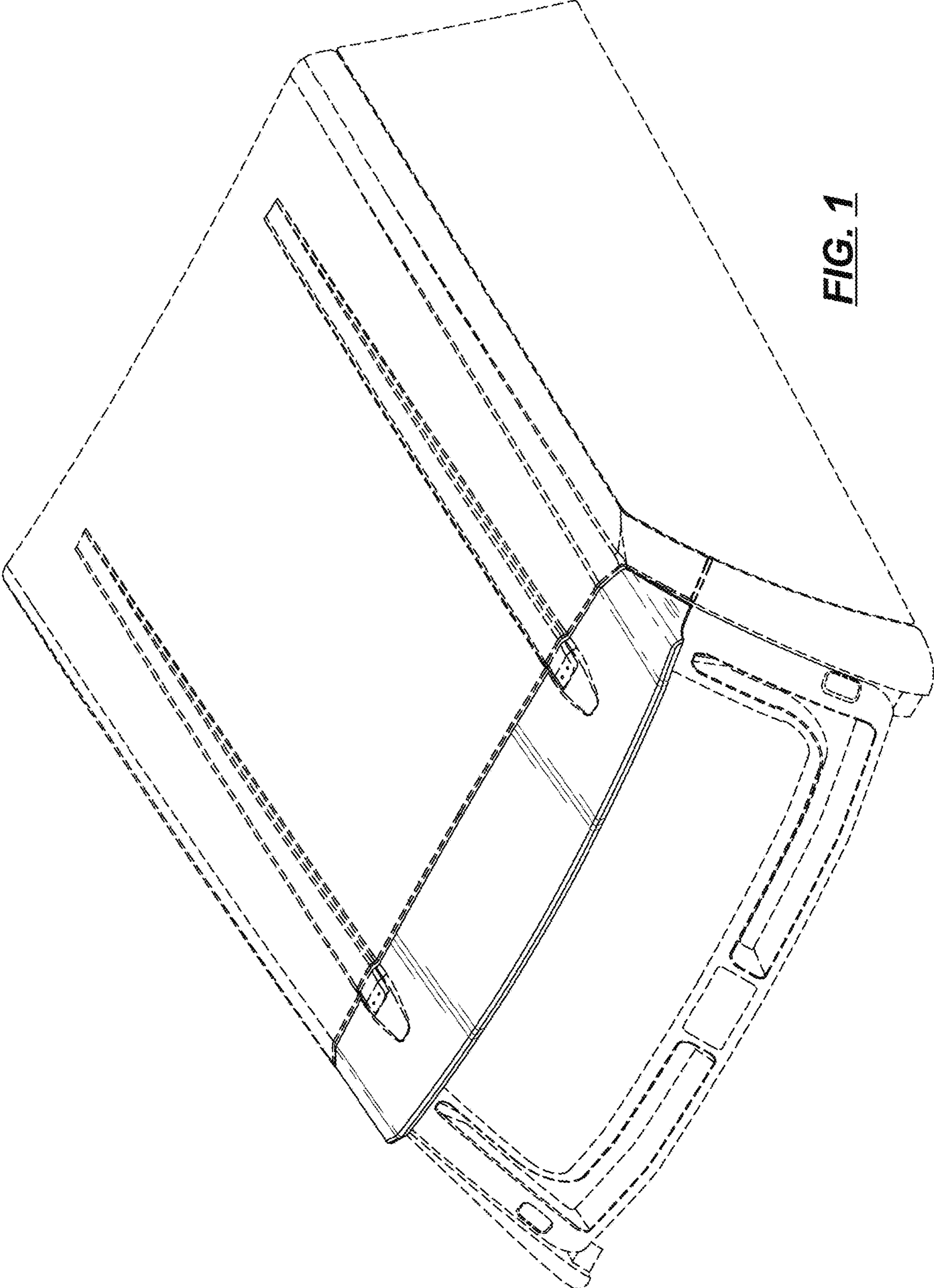


FIG. 1

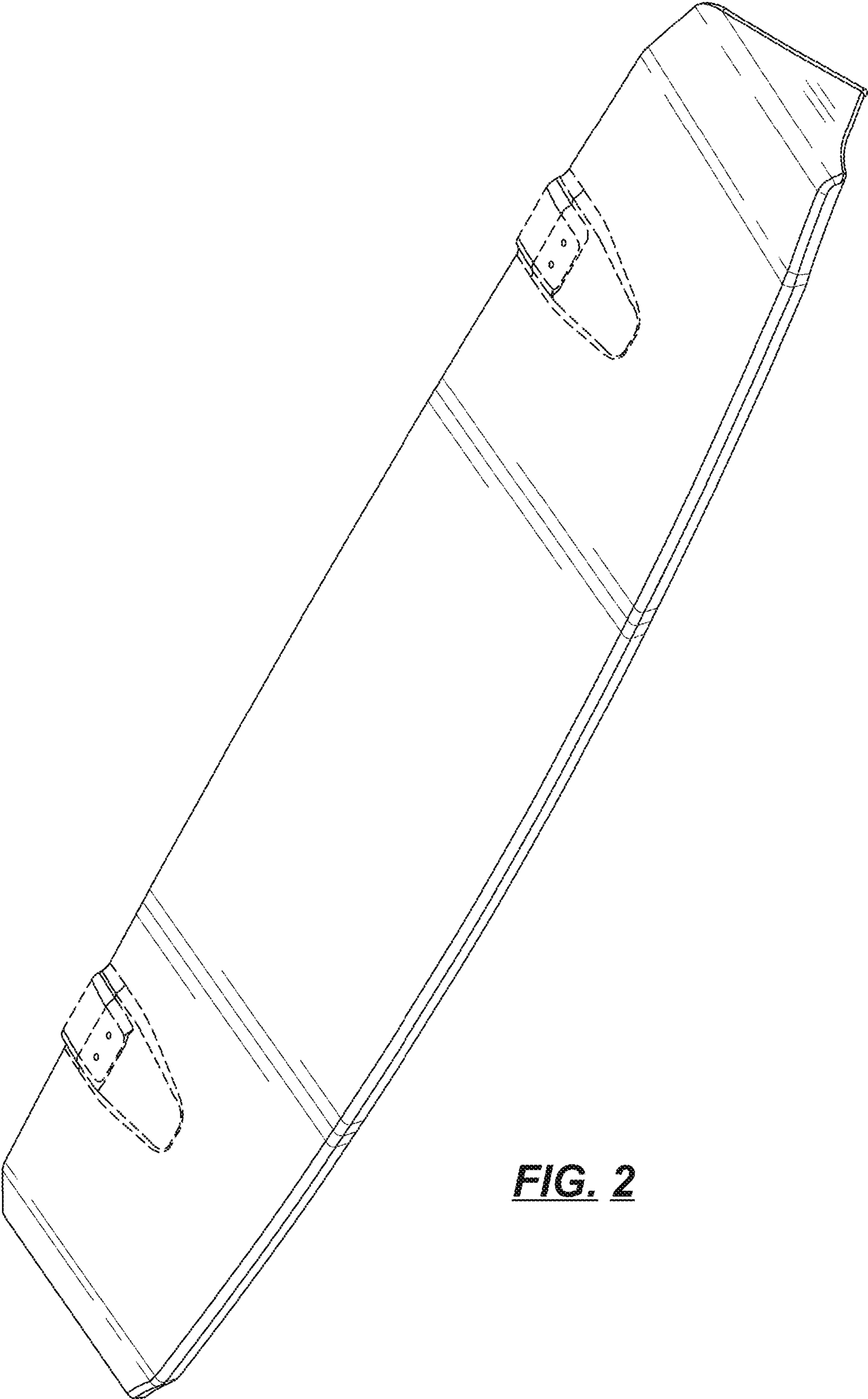


FIG. 2

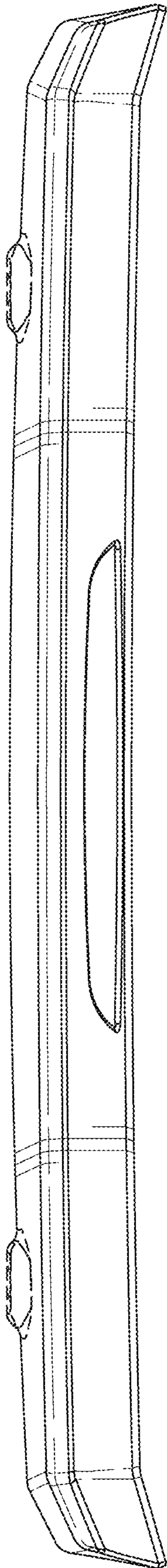


FIG. 3

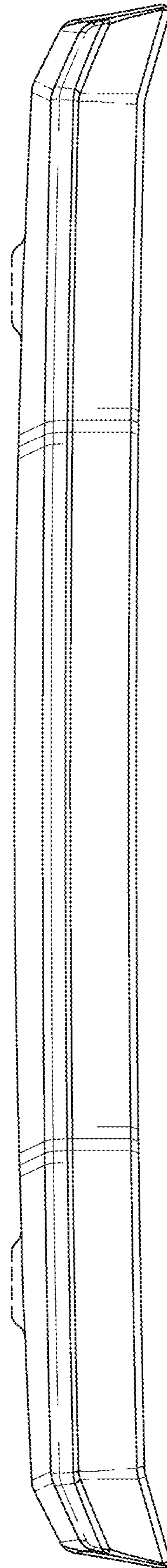


FIG. 4

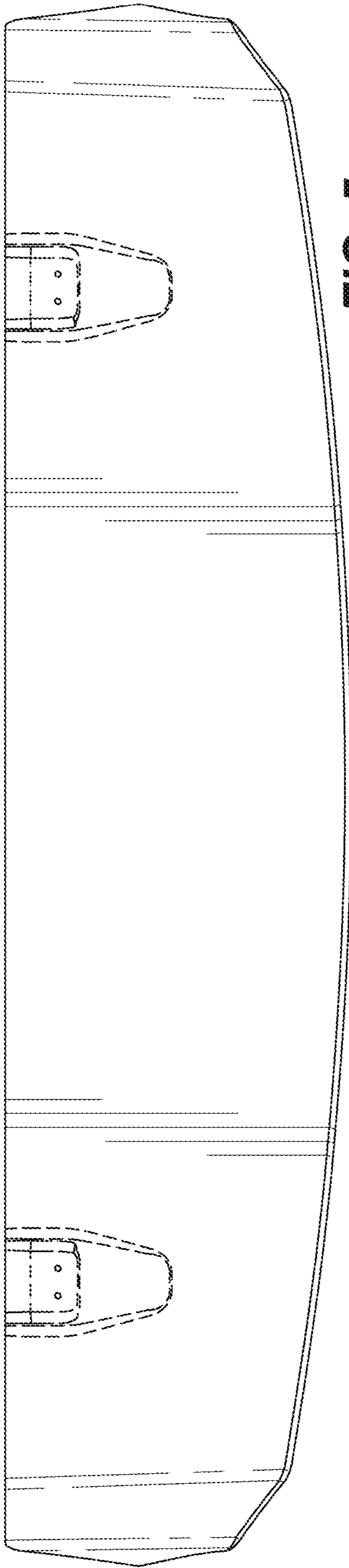


FIG. 5

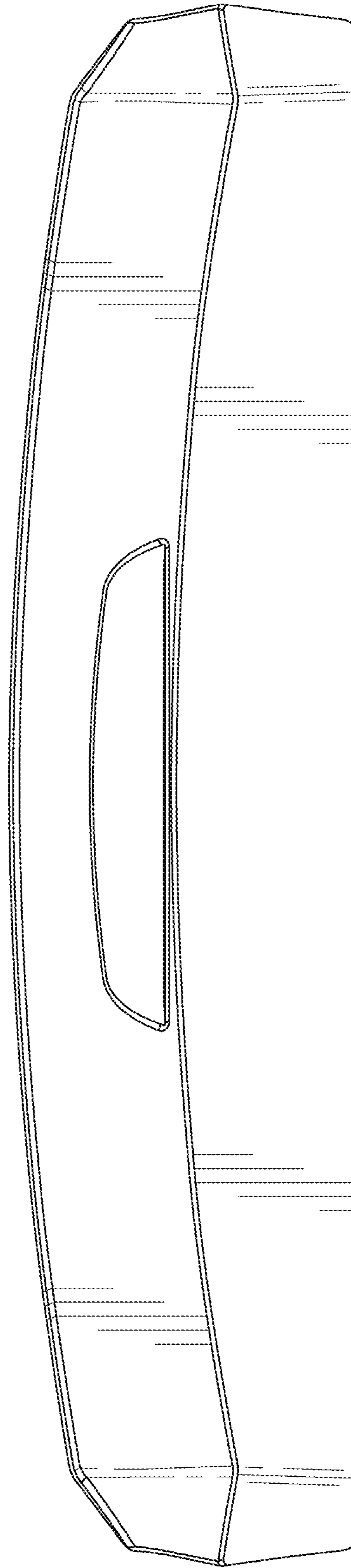


FIG. 6

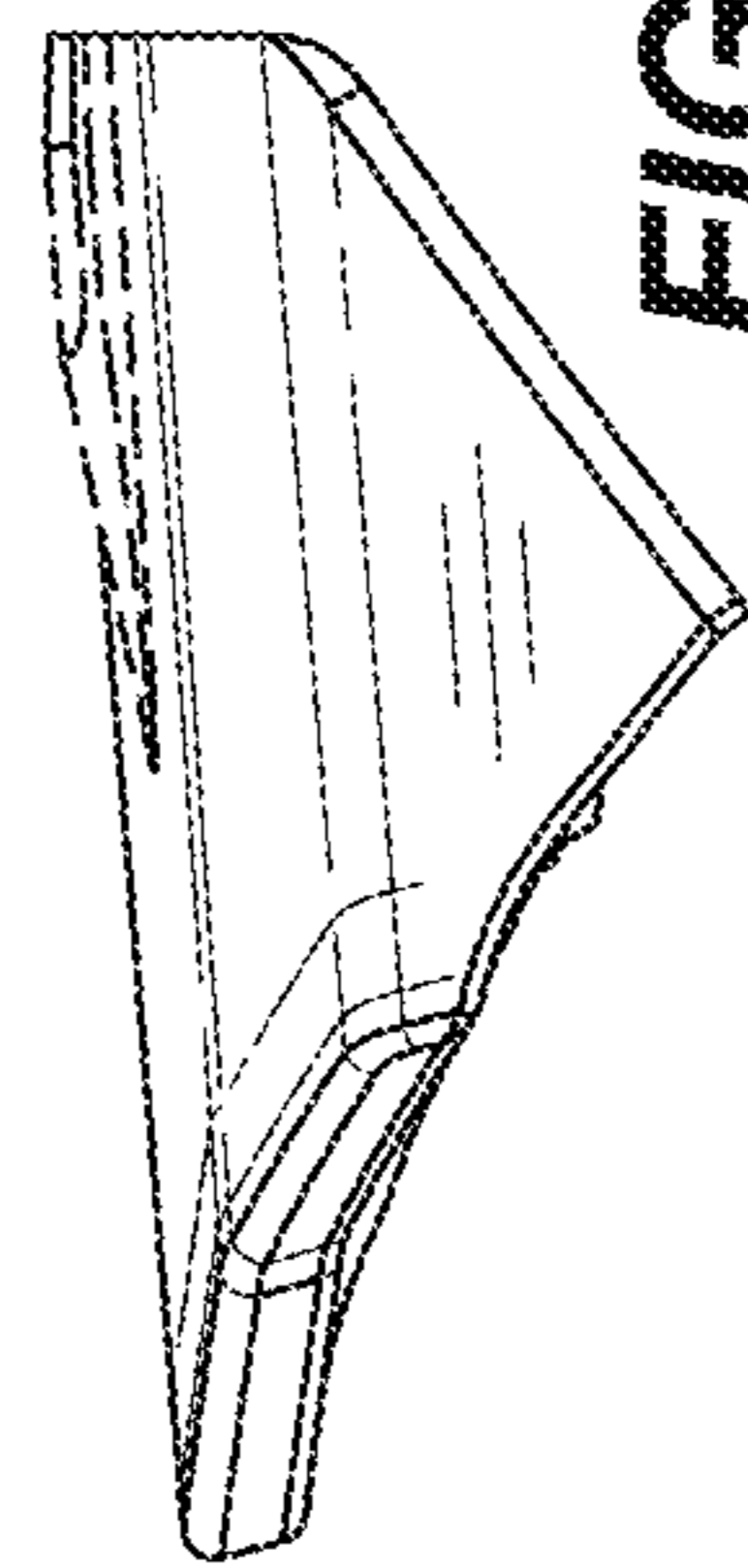


FIG. 7



FIG. 8

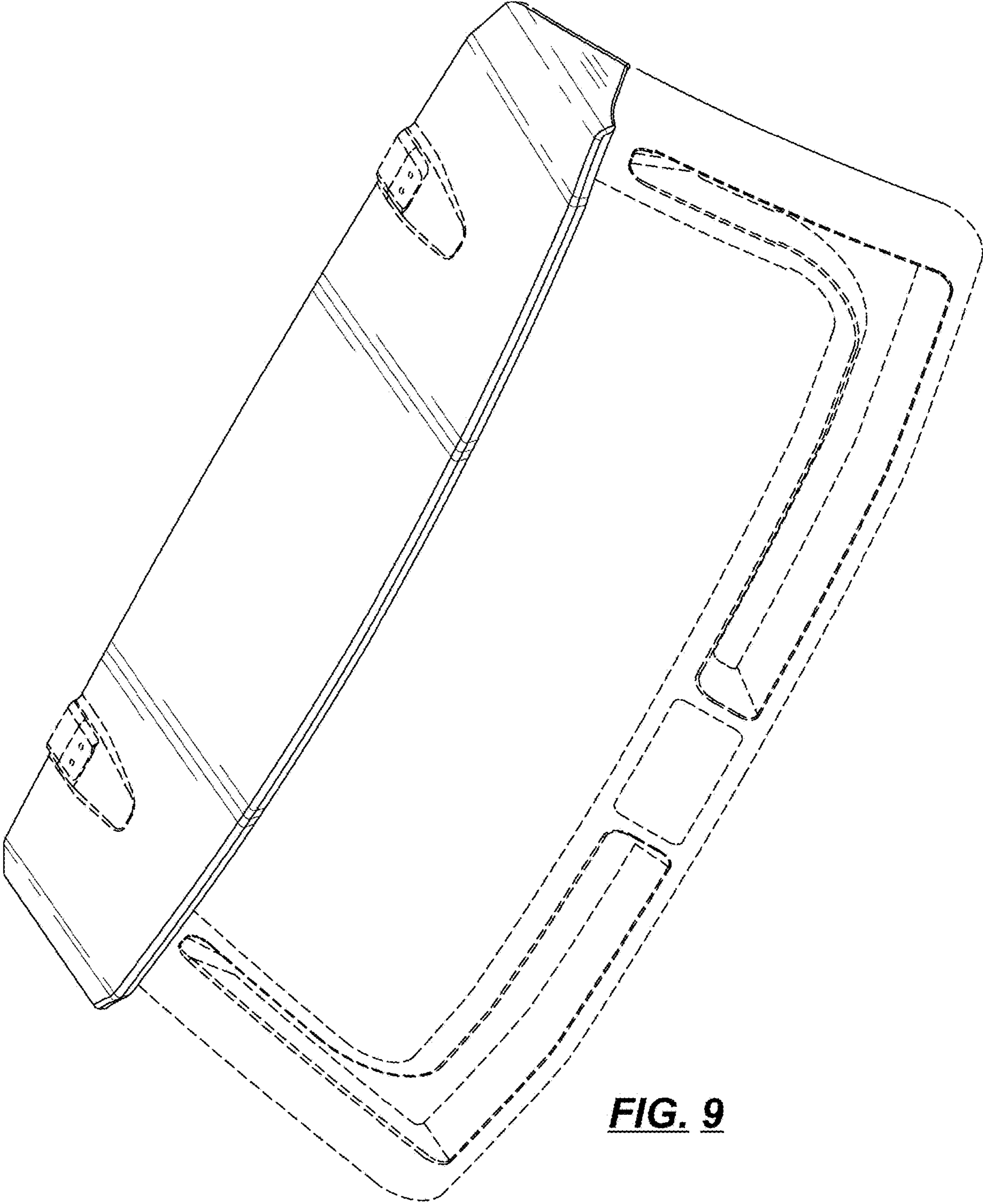


FIG. 9