

US00D924775S

(12) **United States Design Patent** (10) **Patent No.:** **US D924,775 S**
Builder et al. (45) **Date of Patent:** **** Jul. 13, 2021**

(54) PLATFORM FOR YACHTS	8,702,461 B1 * 4/2014 d'Offay B63B 35/58 441/40
(71) Applicant: Nautibuoy Marine Limited , Devon (GB)	9,302,749 B1 * 4/2016 D'Offay B63B 7/082 10,293,897 B2 * 5/2019 Ruiz B63B 35/58 D900,702 S * 11/2020 Builder D12/316 D900,703 S * 11/2020 Builder D12/316 D900,704 S * 11/2020 Builder D12/316 D900,705 S * 11/2020 Builder D12/316
(72) Inventors: Clay Livingston Builder , Dartington (GB); Nina Anderson , Dartington (GB)	2001/0036782 A1 * 11/2001 Gredy B63B 21/00 441/129
(73) Assignee: Nautibuoy Marine Limited , Devon (GB)	2005/0208849 A1 * 9/2005 Ferrara B63C 9/081 441/129

(**) Term: **15 Years**

(21) Appl. No.: **29/709,493**

(22) Filed: **Oct. 15, 2019**

(30) **Foreign Application Priority Data**

Apr. 12, 2019 (EM) 006377305-0009

(51) **LOC (13) Cl.** **12-06**

(52) **U.S. Cl.**
USPC **D12/316**

(58) **Field of Classification Search**
USPC D12/223, 300, 305, 308, 309, 316, 317,
D12/318, 400; D21/542, 769, 801, 802,
D21/803, 810
CPC B63C 1/02; B63C 1/04; B63C 1/08; B63C
1/10; B63C 1/12; B63B 7/08; B63B
7/082; B63B 2737/00; B63B 2027/145;
B63B 2029/022

See application file for complete search history.

(56) **References Cited**

U.S. PATENT DOCUMENTS

2,549,597 A *	4/1951	Harris	A47C 27/087 5/711
4,371,999 A *	2/1983	Reid	A47C 27/087 5/711
D629,484 S *	12/2010	Jackson	D21/803
8,336,143 B2 *	12/2012	Lemmer	A47C 27/081 5/710

FOREIGN PATENT DOCUMENTS

EP 3489003 A1 * 5/2019 B29C 65/5057

OTHER PUBLICATIONS

Nautiboy Platform, Published on Apr. 23, 2015 [online], [retrieved on Feb. 26, 2021]. Retrieved from the Internet: <https://www.youtube.com/watch?v=4OQR73g-0Vc> (Year: 2015).*

* cited by examiner

Primary Examiner — Christian P. McLean
Assistant Examiner — Adam C Mager
(74) *Attorney, Agent, or Firm* — Optimus Patents US, LLC

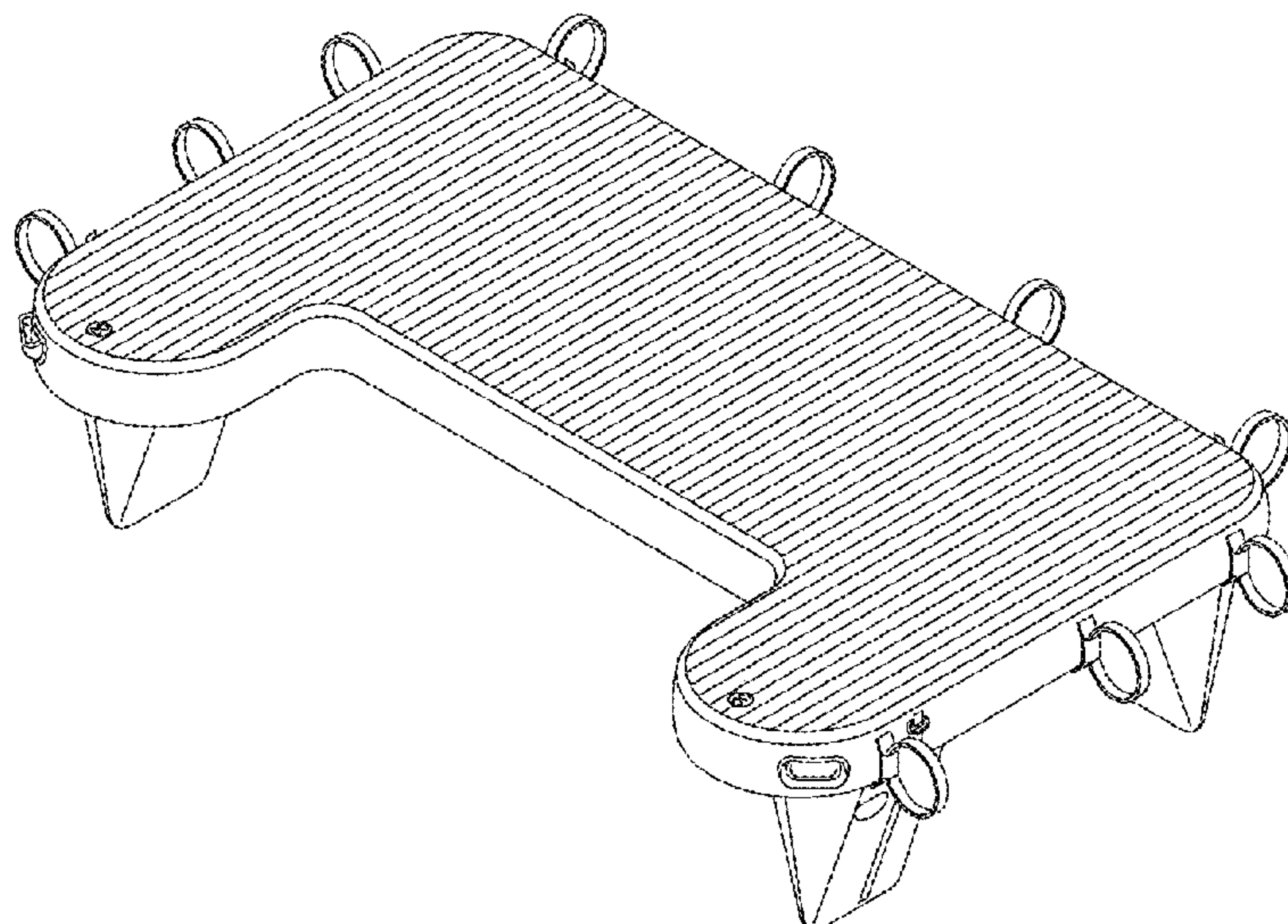
(57) **CLAIM**

The ornamental design for a platform for yachts, as shown and described.

DESCRIPTION

FIG. 1 is a top perspective view of a platform for yachts;
FIG. 2 is a top view thereof;
FIG. 3 is a bottom view thereof;
FIG. 4 is a left side view thereof;
FIG. 5 is a right side view thereof;
FIG. 6 is a front side view thereof; and,
FIG. 7 is back side view thereof.

1 Claim, 7 Drawing Sheets



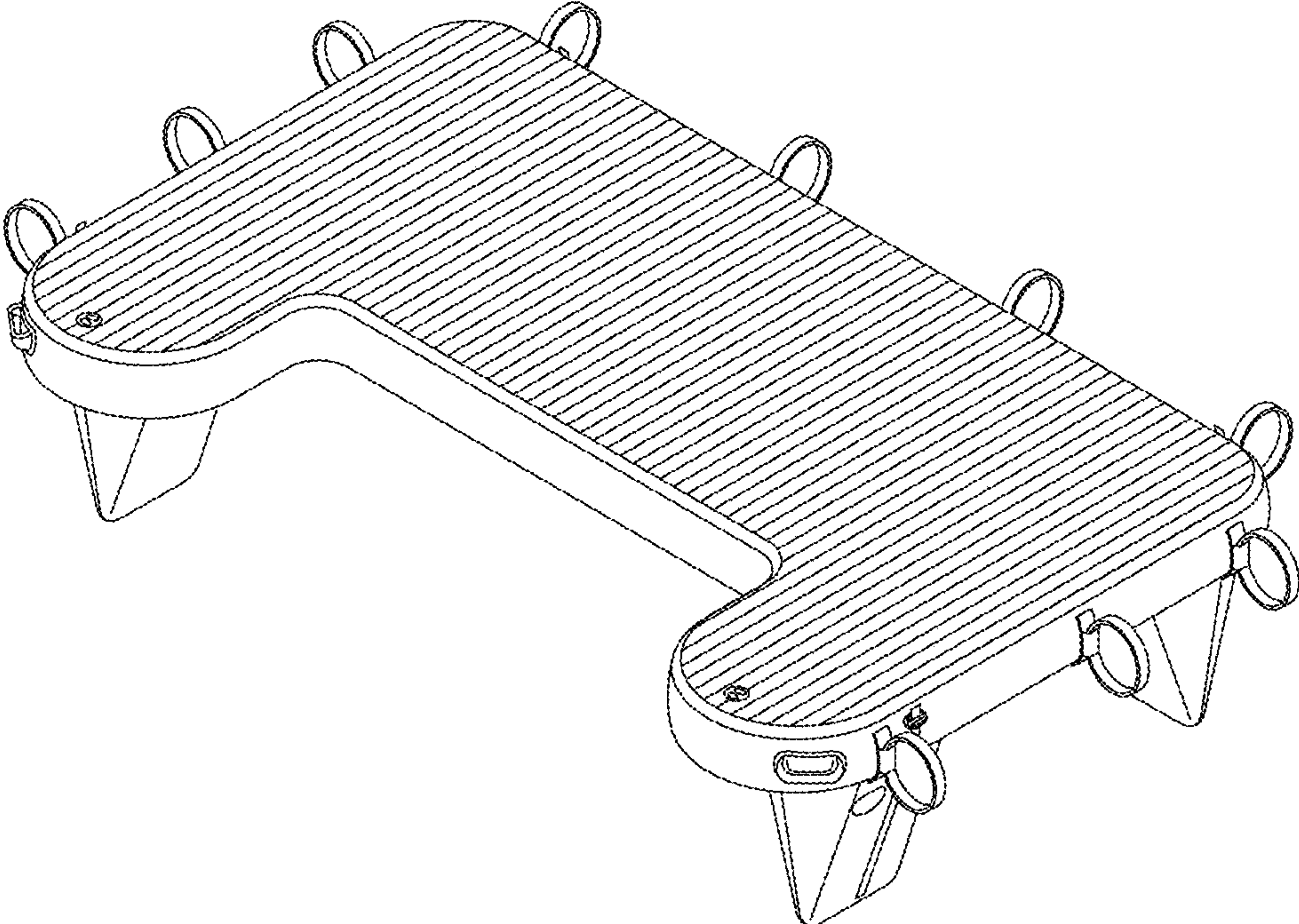


FIG. 1

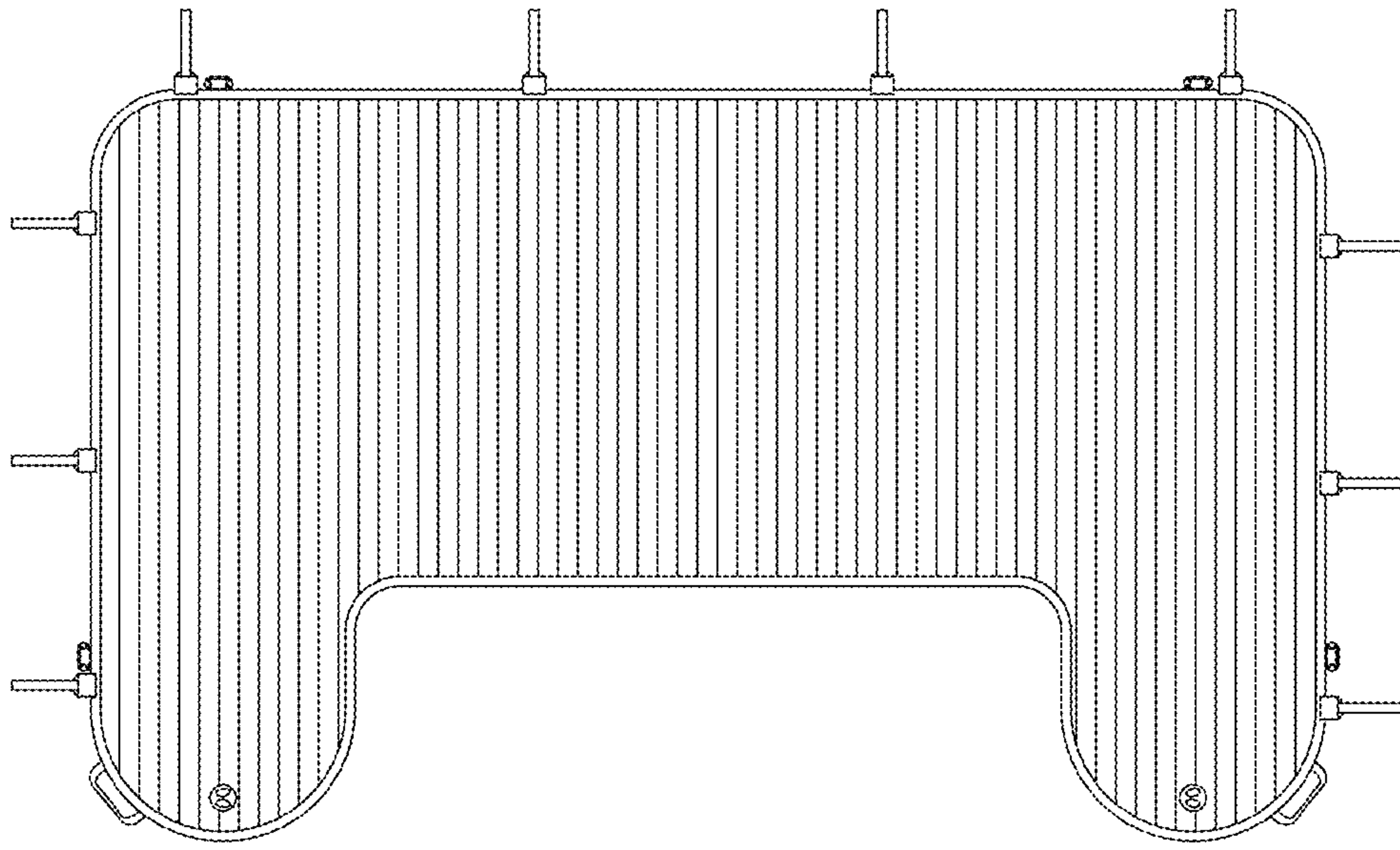


FIG. 2

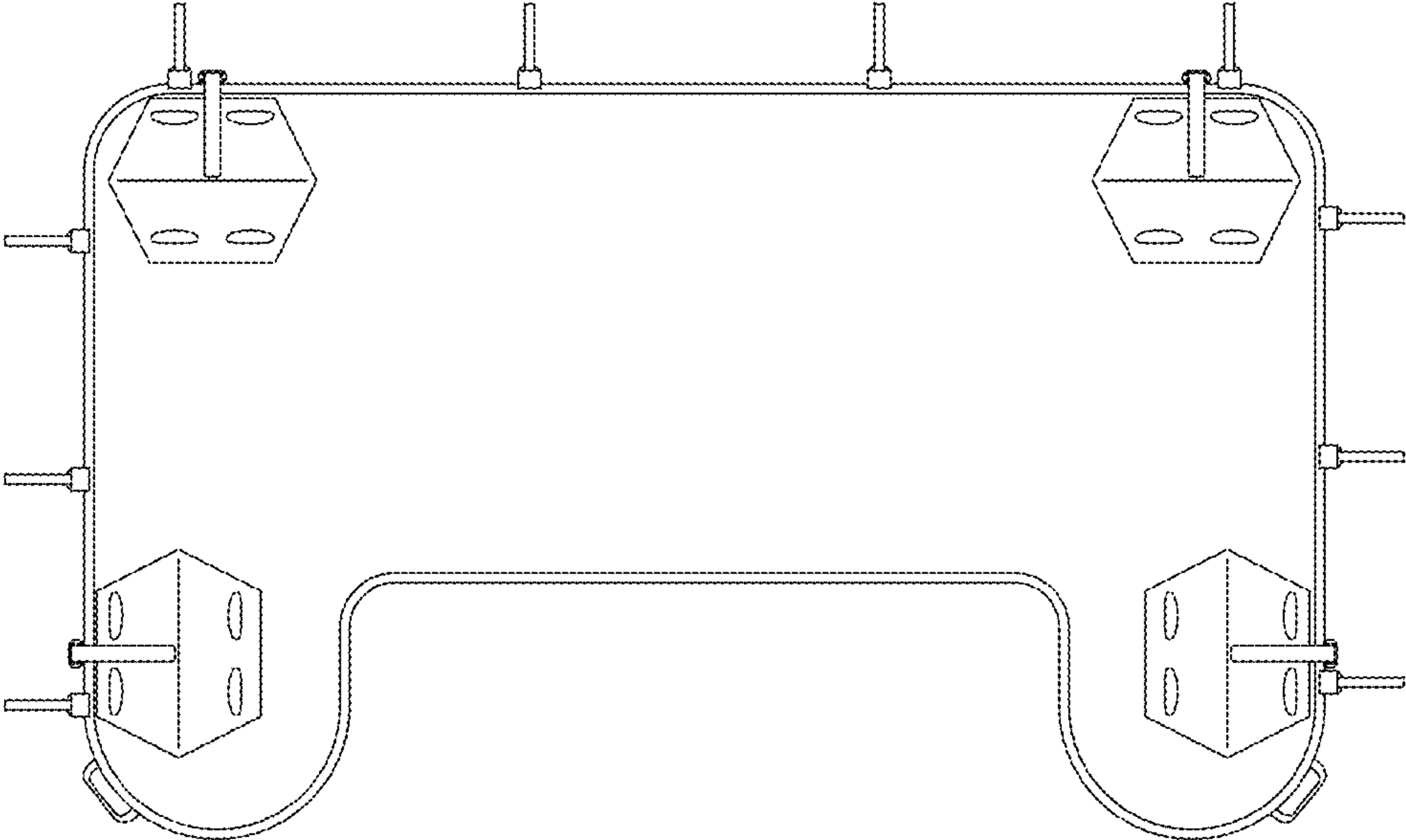


FIG. 3

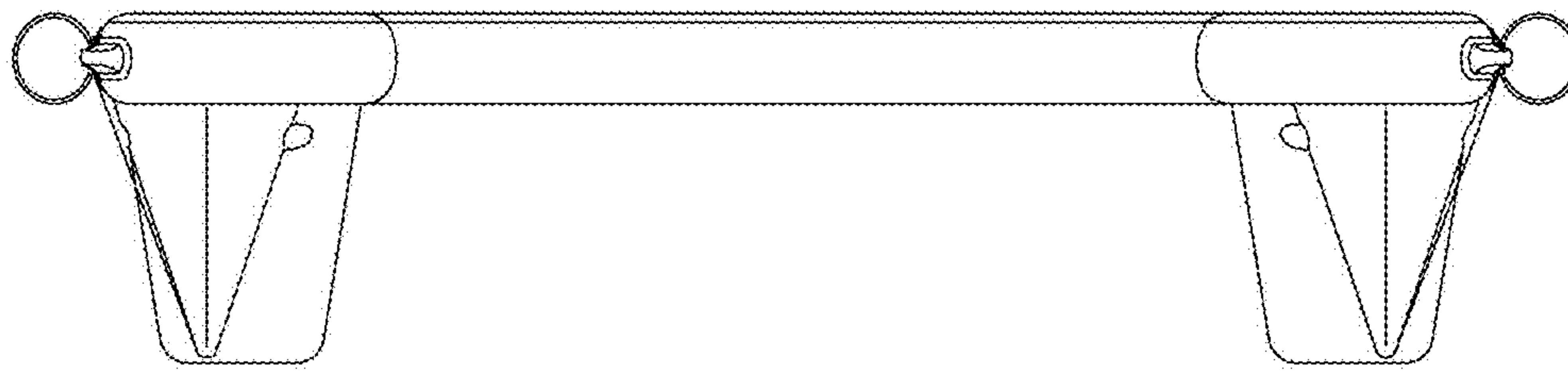


FIG. 4

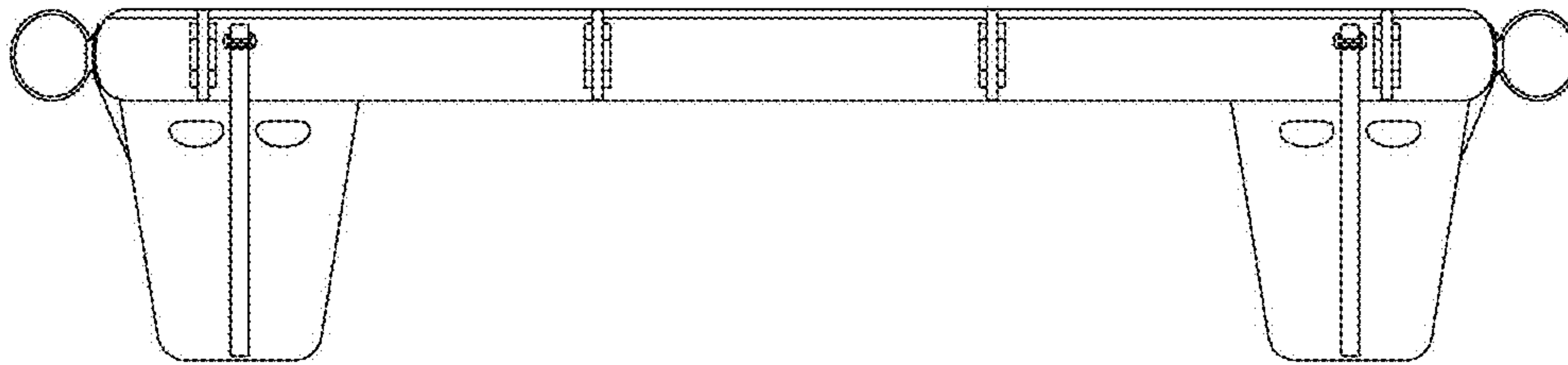


FIG. 5

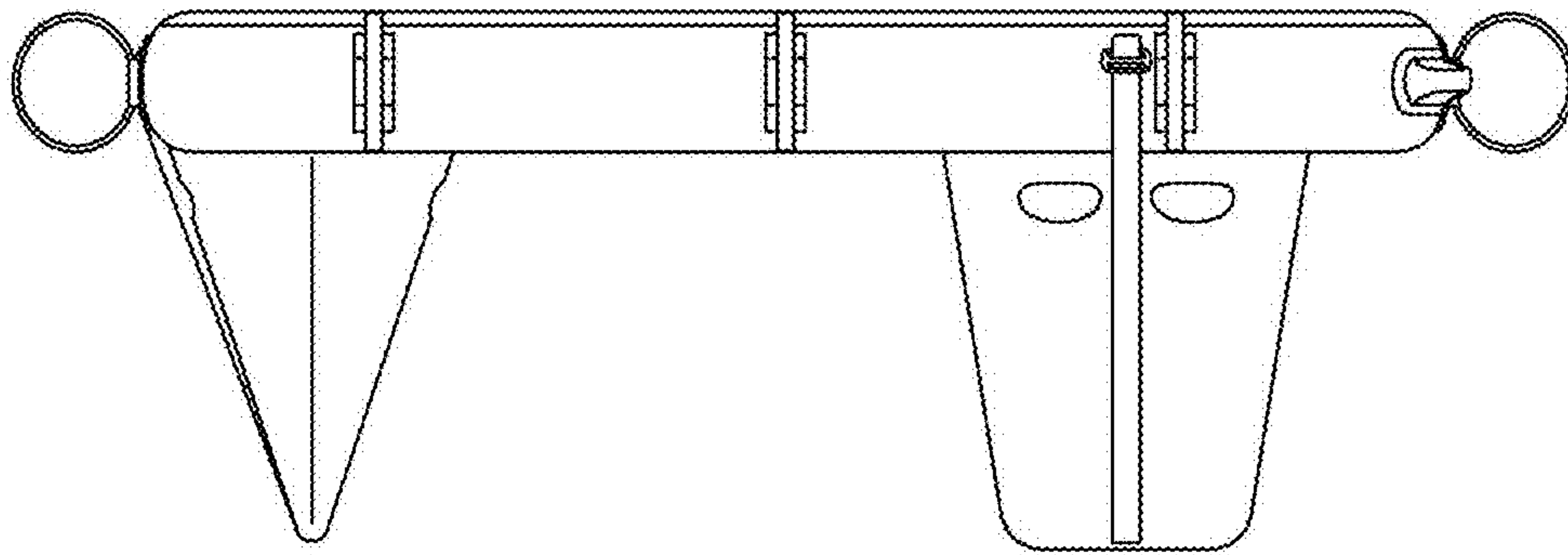


FIG. 6

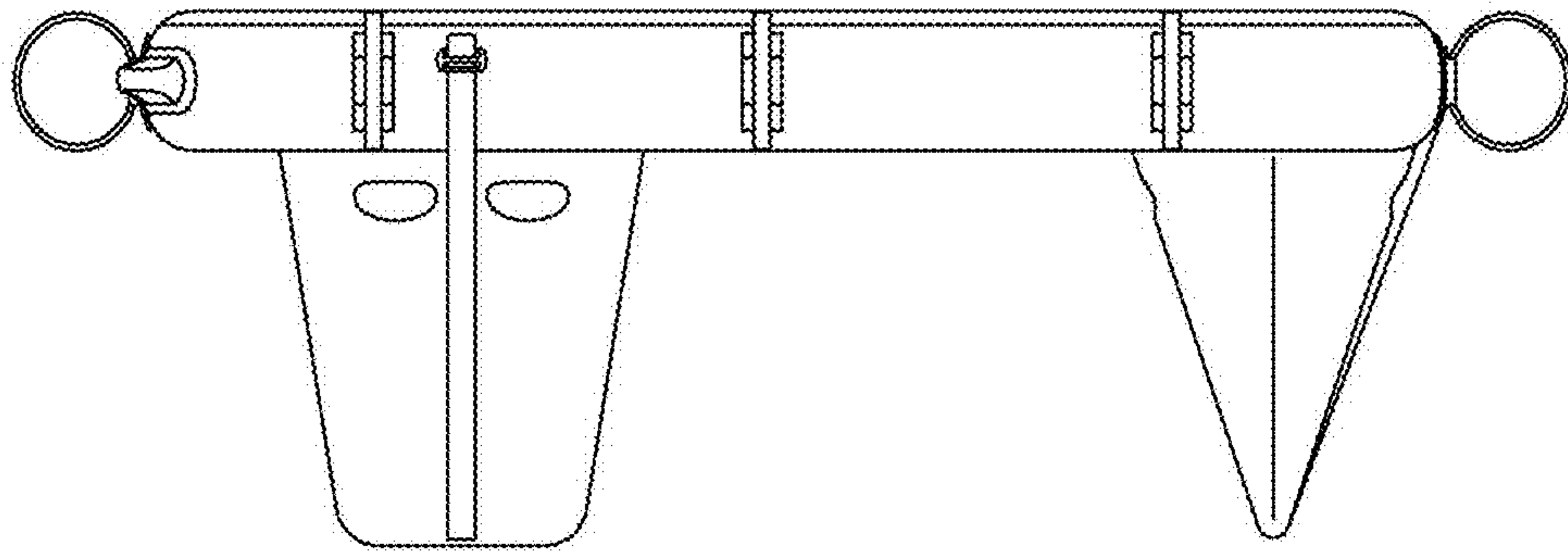


FIG. 7