

US00D924771S

(12) **United States Design Patent**  
**Bernardi**

(10) **Patent No.:** **US D924,771 S**  
(45) **Date of Patent:** **\*\* Jul. 13, 2021**

(54) **WHEEL FOR A VEHICLE**

(71) Applicant: **Jaguar Land Rover Limited**, Coventry (GB)

(72) Inventor: **Florentin Bernardi**, Coventry (GB)

(73) Assignee: **JAGUAR LAND ROVER LIMITED**, Whitley Coventry (GB)

(\*\*) Term: **15 Years**

(21) Appl. No.: **29/720,907**

(22) Filed: **Jan. 16, 2020**

(30) **Foreign Application Priority Data**

Aug. 10, 2019 (EM) ..... 006698619

(51) **LOC (13) Cl.** ..... **12-16**

(52) **U.S. Cl.**  
USPC ..... **D12/209**

(58) **Field of Classification Search**

USPC ..... D12/204-213; D21/563  
CPC .... B60B 7/00; B60B 7/02; B60B 7/04; B60B 7/01; B60B 7/06; B60B 3/02; B60B 3/04; B60B 3/06; B60B 3/10; B60B 1/00; B60B 1/08; B60B 1/10; B60B 1/12  
See application file for complete search history.

(56) **References Cited**

**U.S. PATENT DOCUMENTS**

D581,852 S \* 12/2008 Scheu ..... D12/211  
D663,248 S \* 7/2012 Kogawa ..... D12/209  
D685,710 S \* 7/2013 Hanaoka ..... D12/209  
D689,808 S \* 9/2013 Buck ..... D12/209

D723,989 S \* 3/2015 Morikawa ..... D12/209  
D751,016 S \* 3/2016 Valencia Pollex ..... D12/209  
D768,553 S \* 10/2016 Ishii ..... D12/209  
D783,491 S \* 4/2017 Valencia Pollex ..... D12/209  
D835,561 S \* 12/2018 Hayashi ..... D12/209  
D848,336 S \* 5/2019 Holly ..... D12/209  
D848,338 S \* 5/2019 Tovey ..... D12/209  
D862,352 S \* 10/2019 Bjerke ..... D12/209  
D878,997 S \* 3/2020 Tian ..... D12/209  
D879,000 S \* 3/2020 Wang ..... D12/209  
D880,395 S \* 4/2020 Valencia Pollex ..... D12/209  
D884,575 S \* 5/2020 Rosello Visa ..... D12/209  
D893,382 S \* 8/2020 Tanaka ..... D12/209  
D893,383 S \* 8/2020 Tanaka ..... D12/209  
D893,385 S \* 8/2020 Tanaka ..... D12/209  
D895,512 S \* 9/2020 Patel ..... D12/209  
D896,726 S \* 9/2020 Rosello Visa ..... D12/209  
D904,269 S \* 12/2020 Bjerke ..... D12/209

\* cited by examiner

*Primary Examiner* — Stacia A Cadmus

(74) *Attorney, Agent, or Firm* — Reising Ethington P.C.

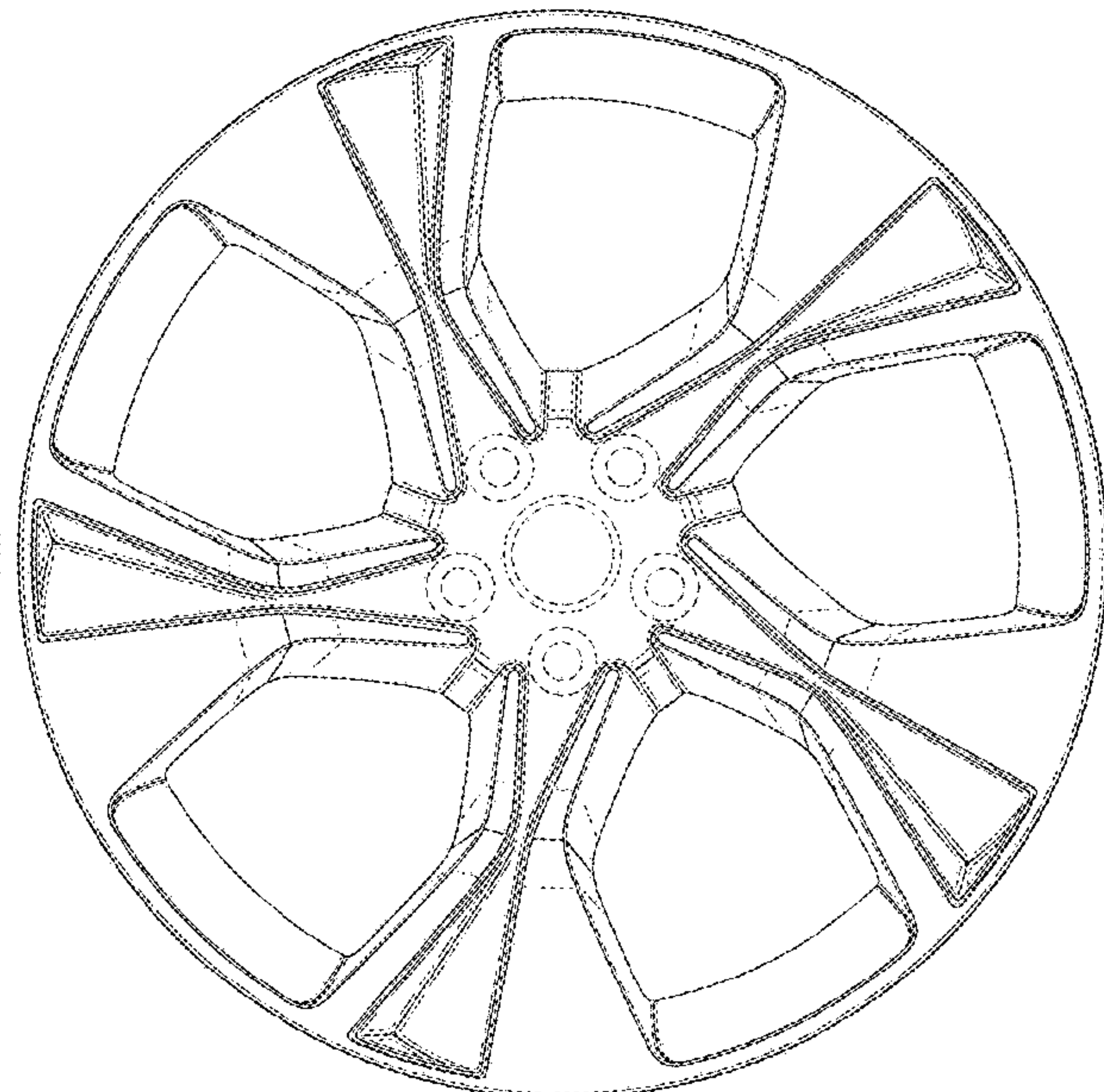
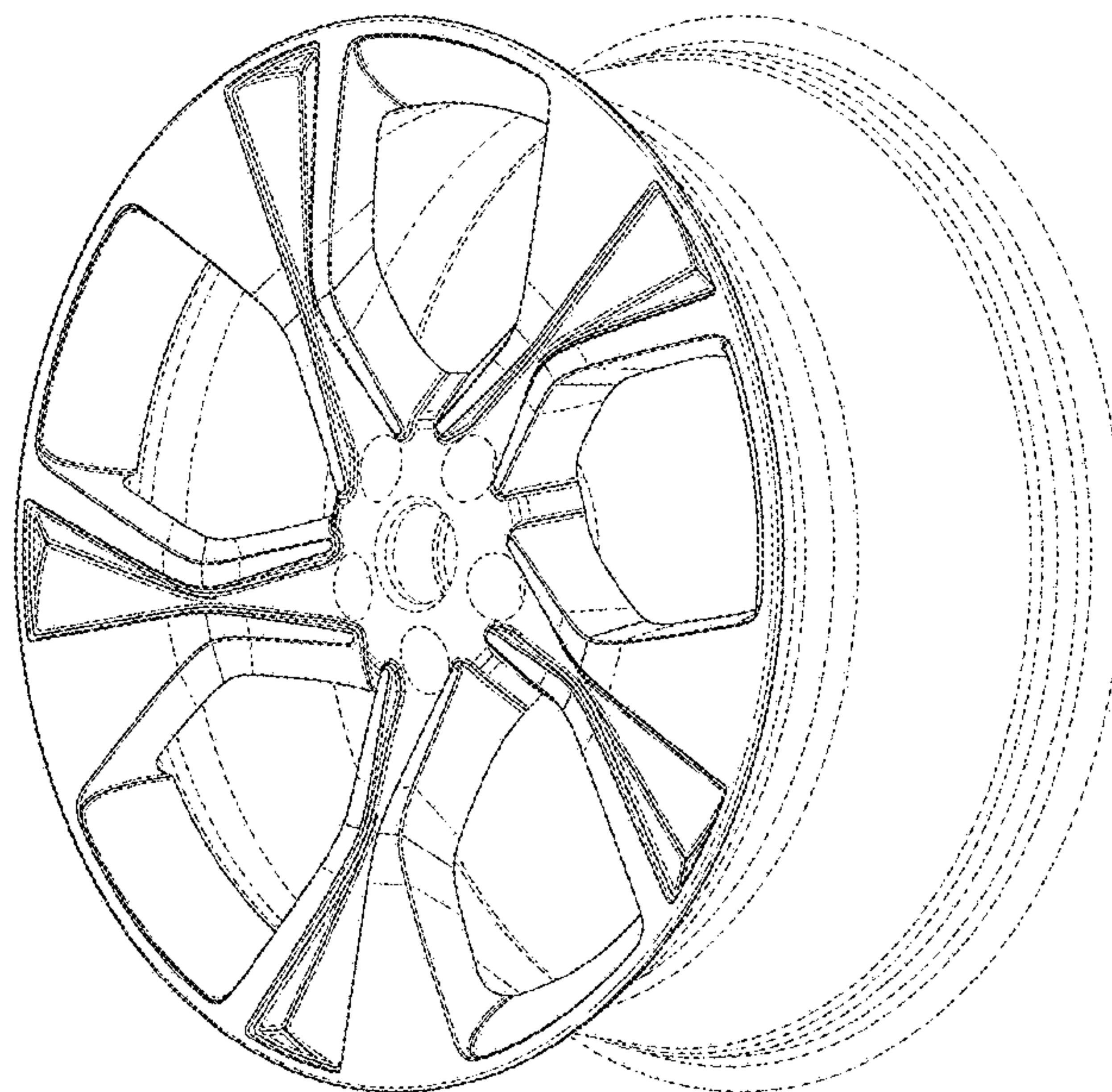
(57) **CLAIM**

The ornamental design for a wheel for a vehicle, as shown and described.

**DESCRIPTION**

FIG. 1 is a front right perspective view of a wheel for a vehicle according to the present invention.  
FIG. 2 is a front view of the wheel for a vehicle shown in FIG. 1; and,  
FIG. 3 is a left side view thereof, the right side view being a mirror image thereof.  
In the drawings the broken lines depict portions of the wheel that form no part of the claimed design.

**1 Claim, 3 Drawing Sheets**





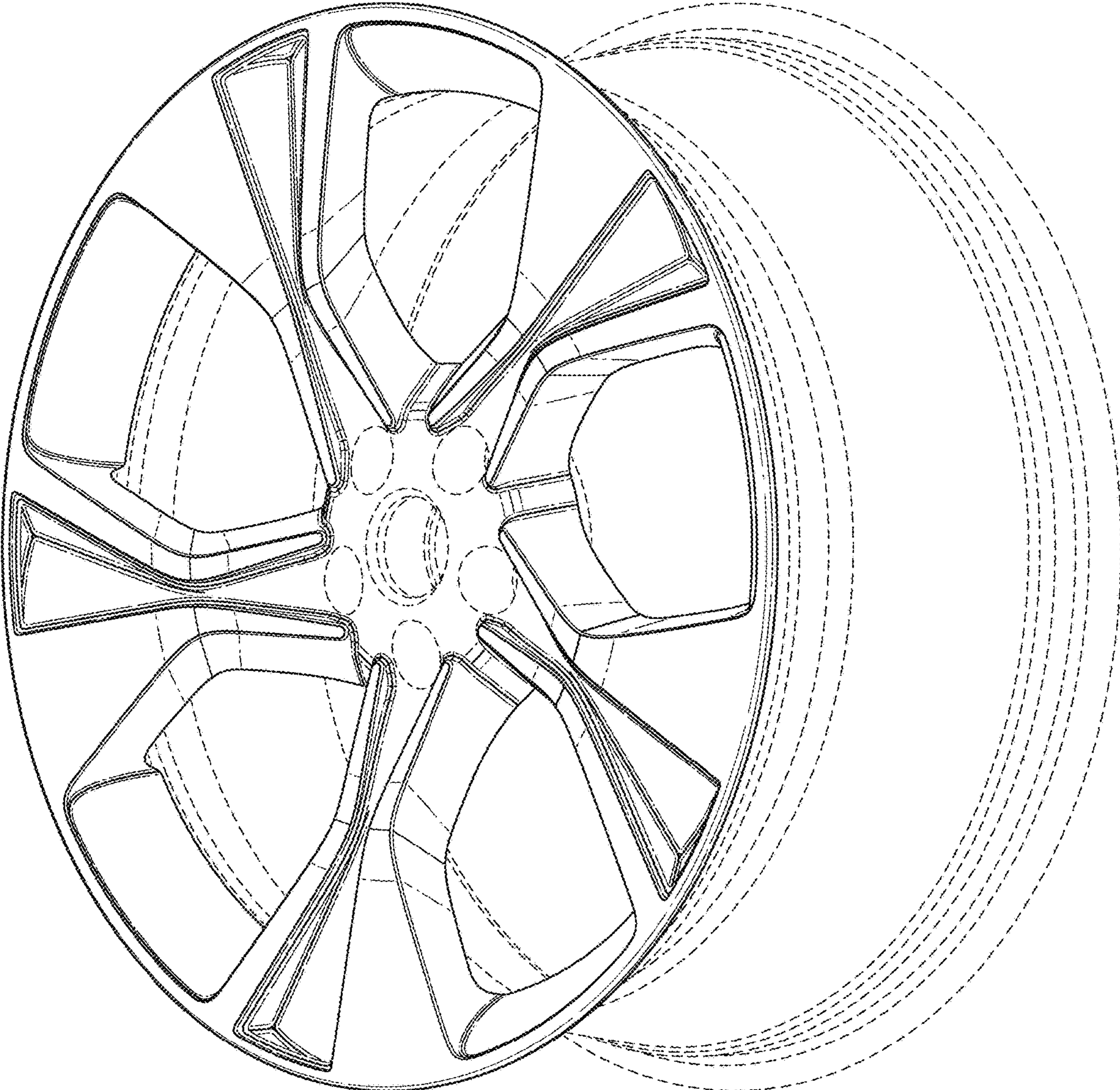


FIG. 1

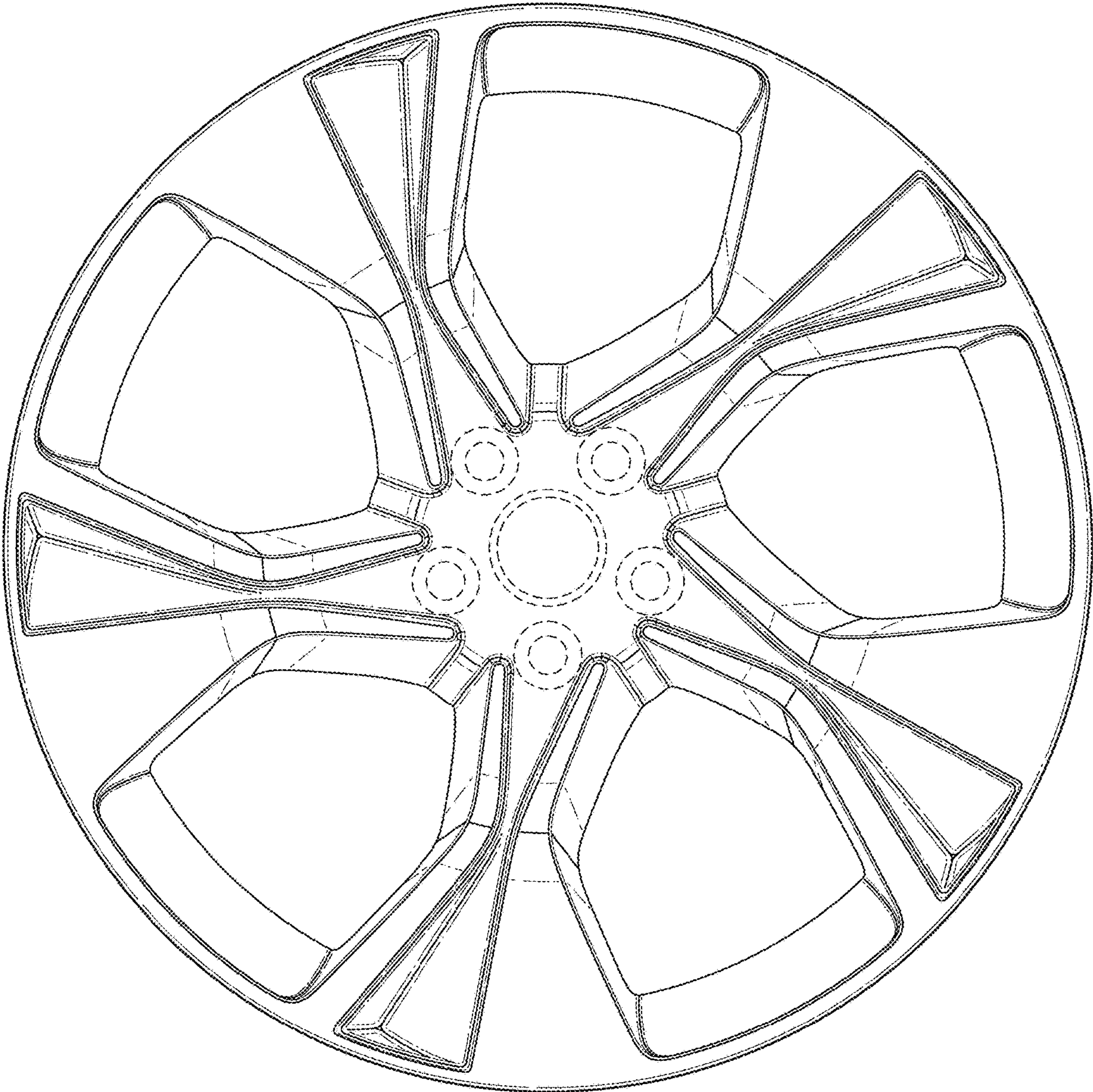


FIG. 2



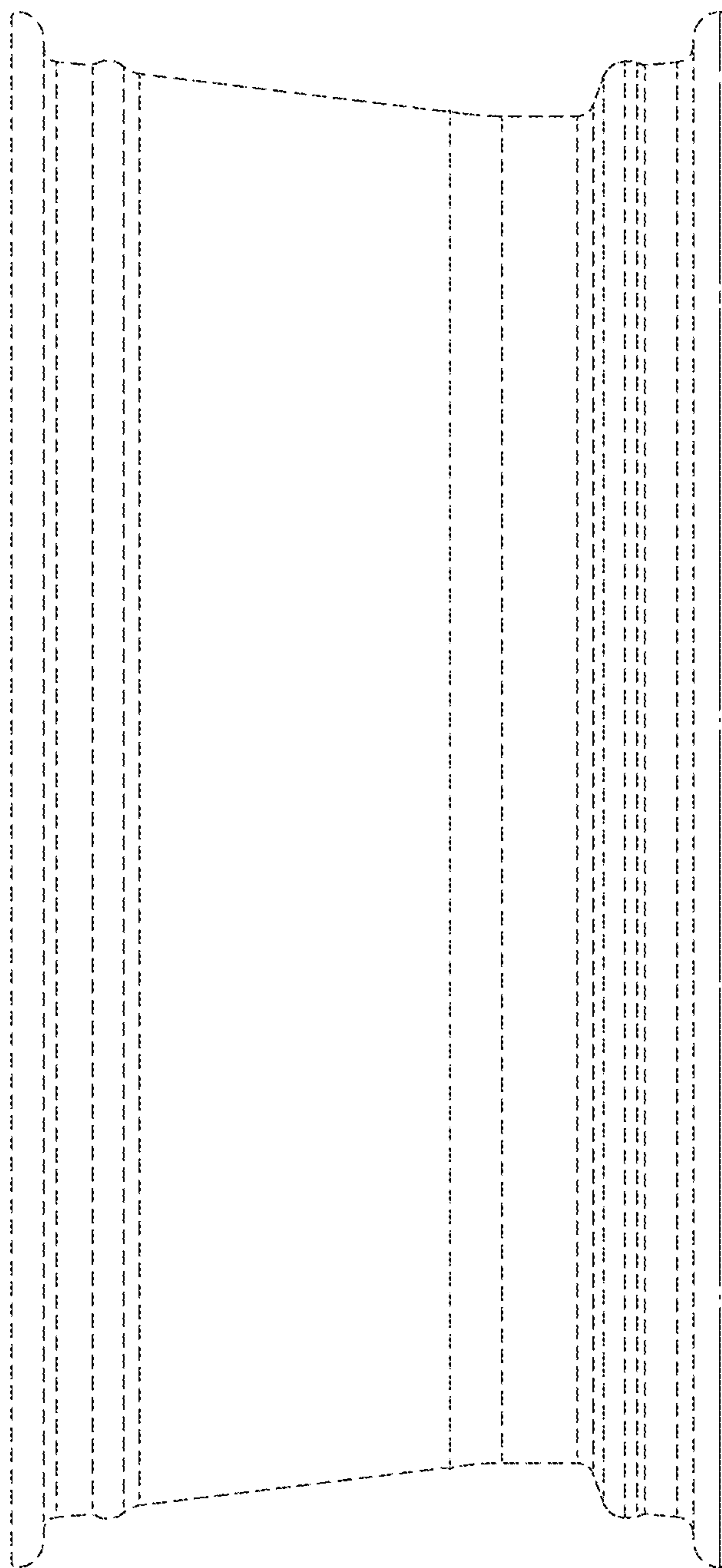


FIG. 3