



US00D924769S

(12) **United States Design Patent**
Ma

(10) **Patent No.:** **US D924,769 S**

(45) **Date of Patent:** **** Jul. 13, 2021**

(54) **VEHICLE WHEEL**

(71) Applicant: **CITIC Dicastal Co., Ltd.**,
Qinhuangdao (CN)

(72) Inventor: **Liang Ma**, Qinhuangdao (CN)

(73) Assignee: **CITIC Dicastal Co., Ltd.**,
Qinhuangdao (CN)

(**) Term: **15 Years**

(21) Appl. No.: **29/709,876**

(22) Filed: **Oct. 17, 2019**

(30) **Foreign Application Priority Data**

Jun. 17, 2019 (CN) 201930311921.3

(51) **LOC (13) Cl.** **12-16**

(52) **U.S. Cl.**
USPC **D12/209**

(58) **Field of Classification Search**
USPC D12/204–213; D21/563
CPC B60B 7/00; B60B 7/02; B60B 7/04; B60B
7/01; B60B 7/06; B60B 3/02; B60B 3/04;
B60B 3/06; B60B 3/10; B60B 1/00;
B60B 1/08; B60B 1/10; B60B 1/12
See application file for complete search history.

(56) **References Cited**

U.S. PATENT DOCUMENTS

D626,052 S * 10/2010 Majdanzic D12/209
D656,443 S * 3/2012 Fetherston D12/209

D675,143 S *	1/2013	Gebert	D12/209
D697,007 S *	1/2014	Pollmann	D12/209
D766,153 S *	9/2016	Wheel	D12/209
D814,382 S *	4/2018	Smith	D12/211
D815,004 S *	4/2018	Smith	D12/209
D822,572 S *	7/2018	Smith	D12/209
D829,631 S *	10/2018	Gallert	D12/209
D832,762 S *	11/2018	Austin	D12/209
D834,486 S *	11/2018	Patel	D12/209
D834,488 S *	11/2018	Smith	D12/209
D840,320 S *	2/2019	Smith	D12/209
D852,109 S *	6/2019	Austin	D12/209
D889,347 S *	7/2020	Smith	D12/209
D889,370 S *	7/2020	Smith	D12/211
D895,507 S *	9/2020	Wang	D12/209
D899,336 S *	10/2020	Okaji	D12/209

* cited by examiner

Primary Examiner — Stacia A Cadmus

(74) *Attorney, Agent, or Firm* — IPro, PLLC

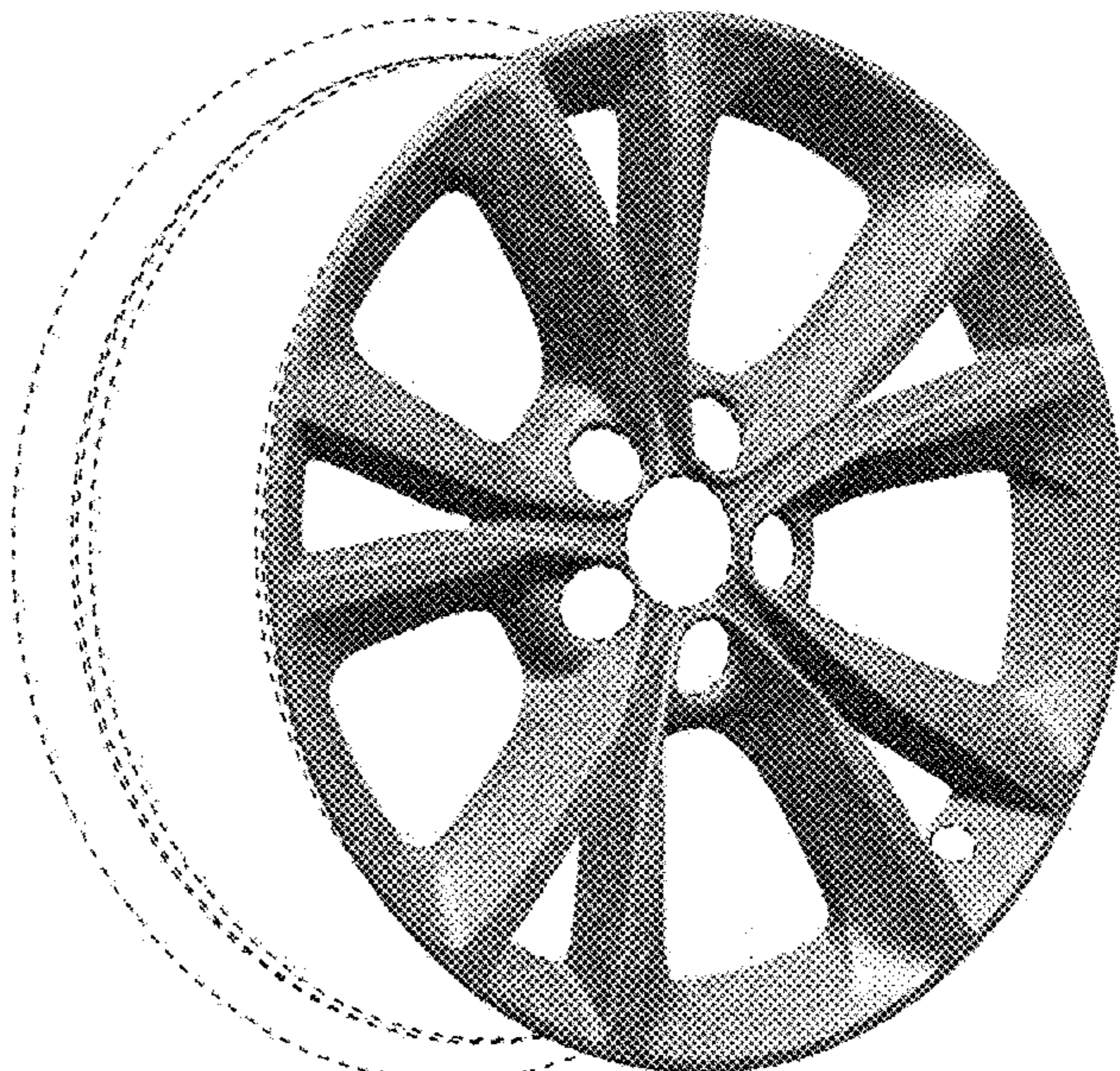
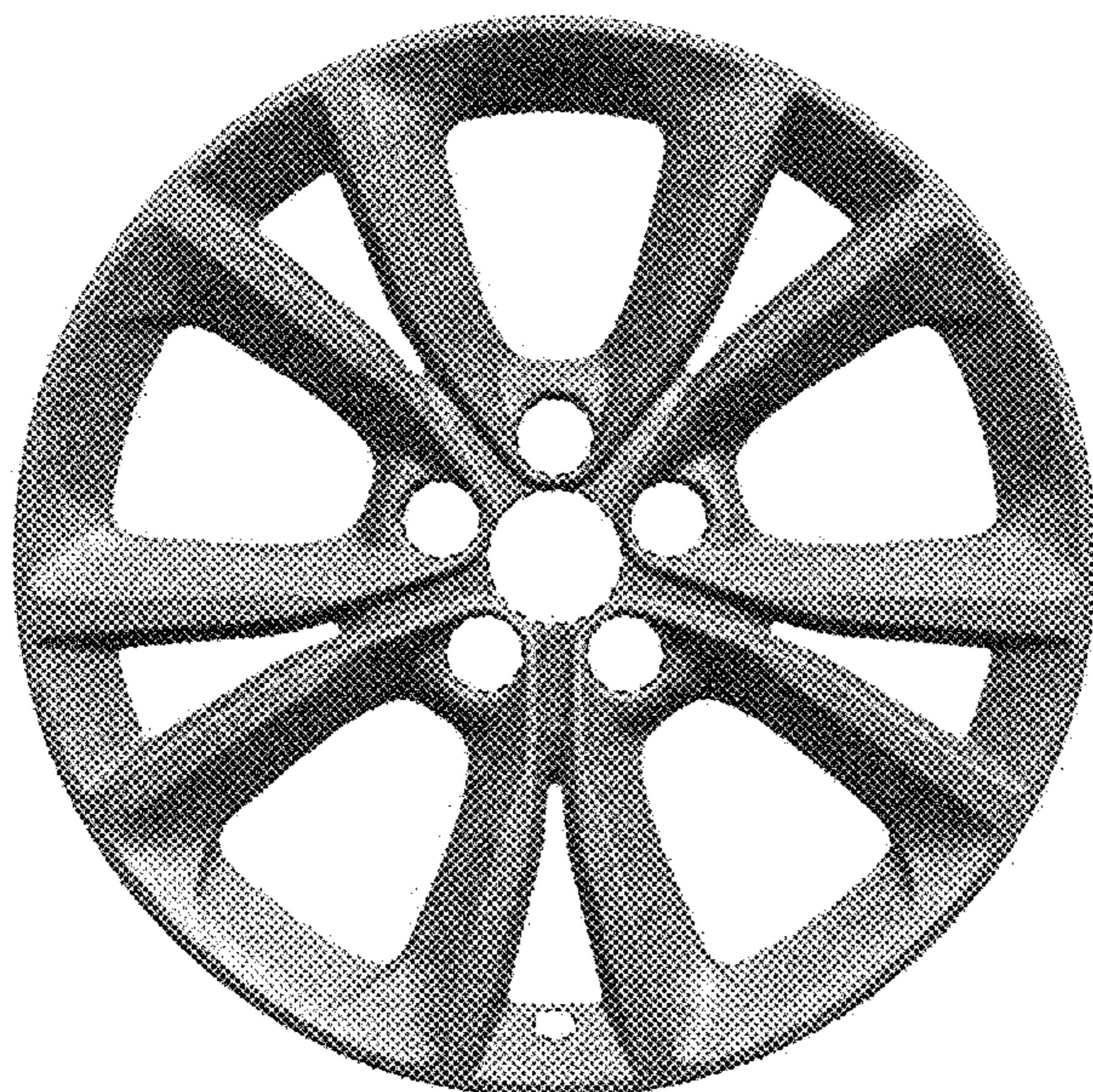
(57) **CLAIM**

The ornamental design for a vehicle wheel, as shown and described.

DESCRIPTION

FIG. 1 is a front view of a vehicle wheel.
FIG. 2 is a perspective view of the vehicle wheel; and,
FIG. 3 is a left side view of the vehicle wheel.
The broken line showing of the rear of the rim, the valve stem hole, the bolt holes and the center hole in the central hub area is included for the purpose of illustrating environment and forms no part of the claimed design.

1 Claim, 3 Drawing Sheets



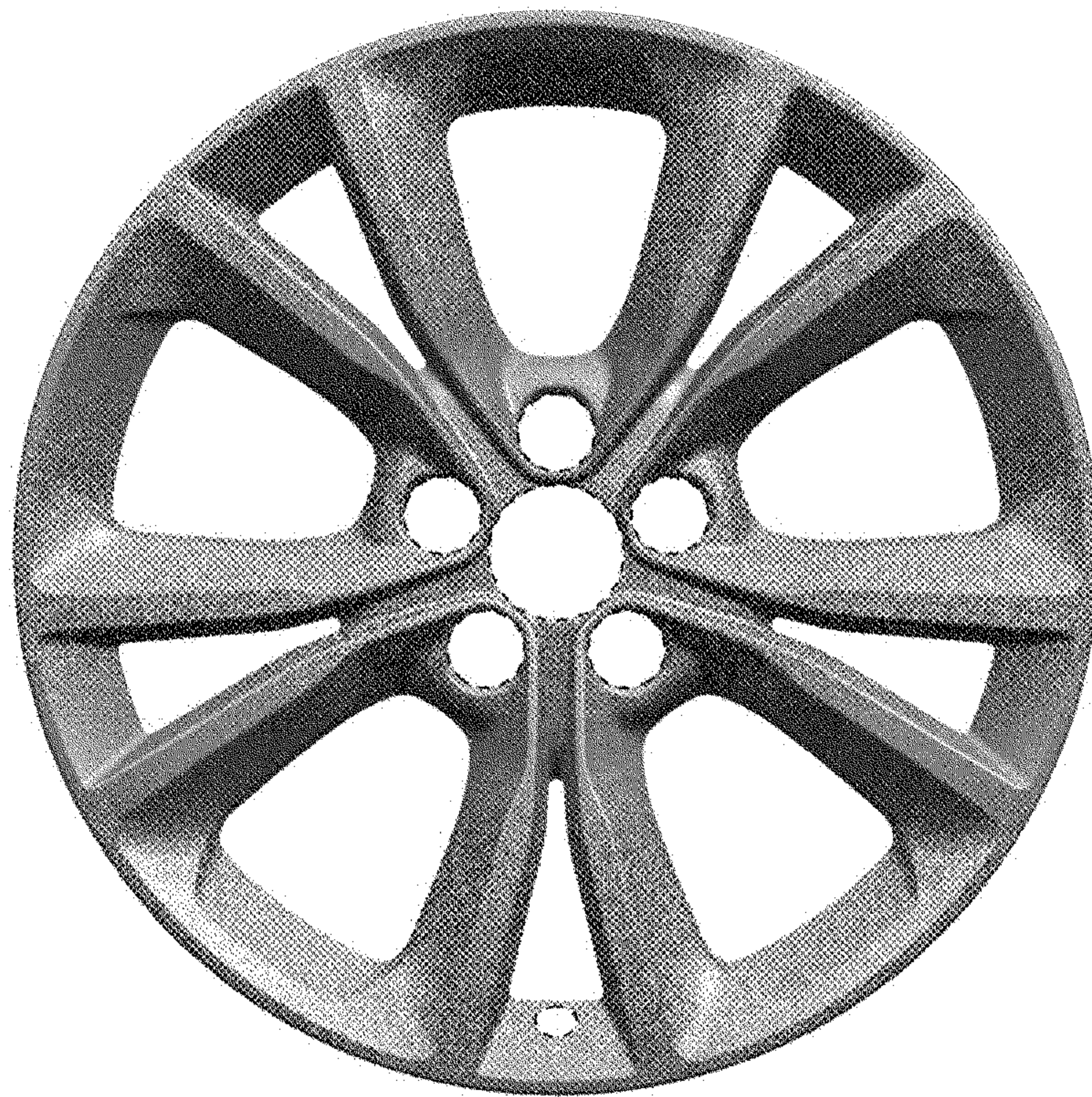


FIG. 1

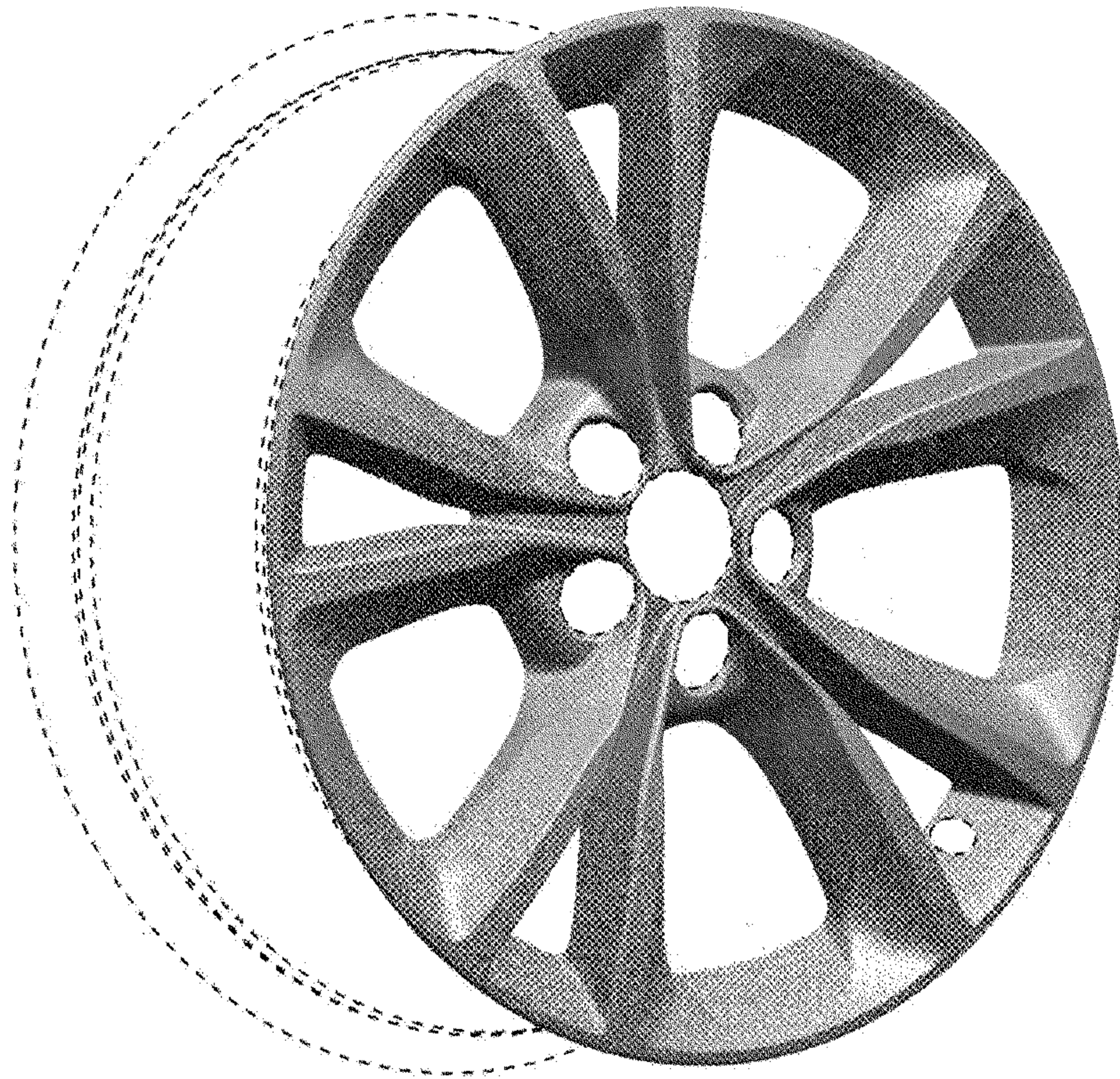


FIG. 2

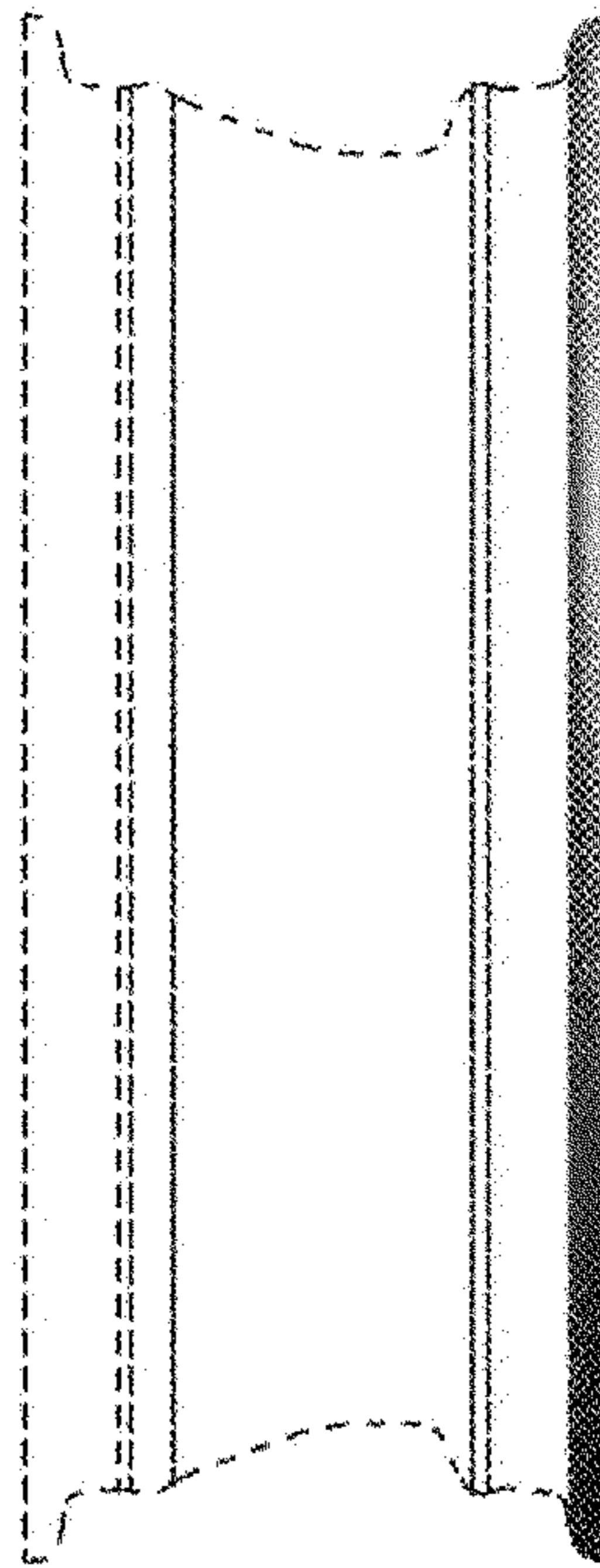


FIG. 3