



US00D924768S

(12) **United States Design Patent**  
**Mukti**

(10) **Patent No.:** **US D924,768 S**

(45) **Date of Patent:** **\*\* Jul. 13, 2021**

(54) **VEHICLE WHEEL**

(71) Applicant: **Quarsa, LLC**, Chino, CA (US)

(72) Inventor: **Ali Mukti**, Surabaya (ID)

(73) Assignee: **Quarsa, LLC**, Chino, CA (US)

(\*\*) Term: **15 Years**

(21) Appl. No.: **29/686,870**

(22) Filed: **Apr. 8, 2019**

(51) **LOC (13) Cl.** ..... **12-16**

(52) **U.S. Cl.**  
USPC ..... **D12/209**

(58) **Field of Classification Search**

USPC ..... D12/204–213; D21/563  
CPC .... B60B 7/00; B60B 7/02; B60B 7/04; B60B  
7/01; B60B 3/02; B60B 3/04; B60B 3/06;  
B60B 3/10; B60B 1/00; B60B 1/08;  
B60B 1/10; B60B 1/12

See application file for complete search history.

(56) **References Cited**

**U.S. PATENT DOCUMENTS**

D417,427 S	*	12/1999	Brown	.....	D12/211
D633,028 S	*	2/2011	Kim	.....	D12/211
D675,971 S	*	2/2013	Lee	.....	D12/209
D695,193 S	*	12/2013	Kong	.....	D12/211
D702,172 S	*	4/2014	Chung	.....	D12/211
D704,124 S	*	5/2014	Hale, Jr.	.....	D12/211
D706,197 S	*	6/2014	Chung	.....	D12/211
D717,224 S	*	11/2014	Kim	.....	D12/211

D726,630 S	*	4/2015	Kong	.....	D12/211
D746,753 S	*	1/2016	Johnson	.....	D12/209
D764,375 S	*	8/2016	Chung	.....	D12/211
D791,675 S	*	7/2017	Guo	.....	D12/211
D793,942 S	*	8/2017	Factor	.....	D12/211
D803,130 S	*	11/2017	Taylor	.....	D12/209
D818,412 S	*	5/2018	Oldham	.....	D12/211
D830,272 S	*	10/2018	Aslam	.....	D12/213
D840,899 S	*	2/2019	Chung	.....	D12/211
D842,184 S	*	3/2019	Chung	.....	D12/209
D845,866 S	*	4/2019	Kong	.....	D12/211
D854,997 S	*	7/2019	Hale	.....	D12/209
D860,097 S	*	9/2019	Milani	.....	D12/209
D870,630 S	*	12/2019	Ash	.....	D12/209
D889,372 S	*	7/2020	Williams	.....	D12/211
D905,612 S	*	12/2020	Hashimoto	.....	D12/211
D908,058 S	*	1/2021	Mukti	.....	D12/209
D908,574 S	*	1/2021	Mukti	.....	D12/209

\* cited by examiner

*Primary Examiner* — Stacia A Cadmus

(74) *Attorney, Agent, or Firm* — Snell & Wilmer L.L.P.

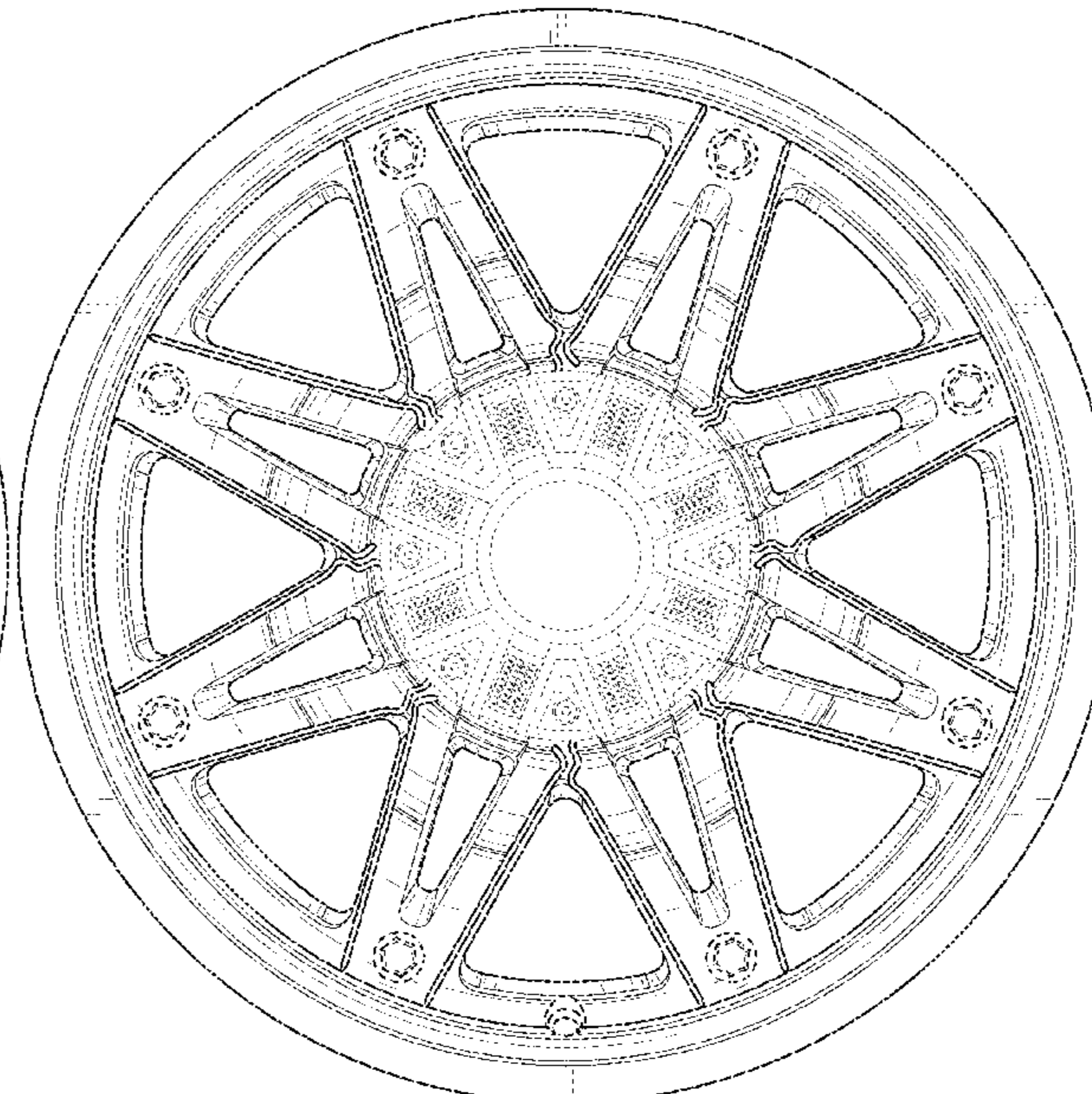
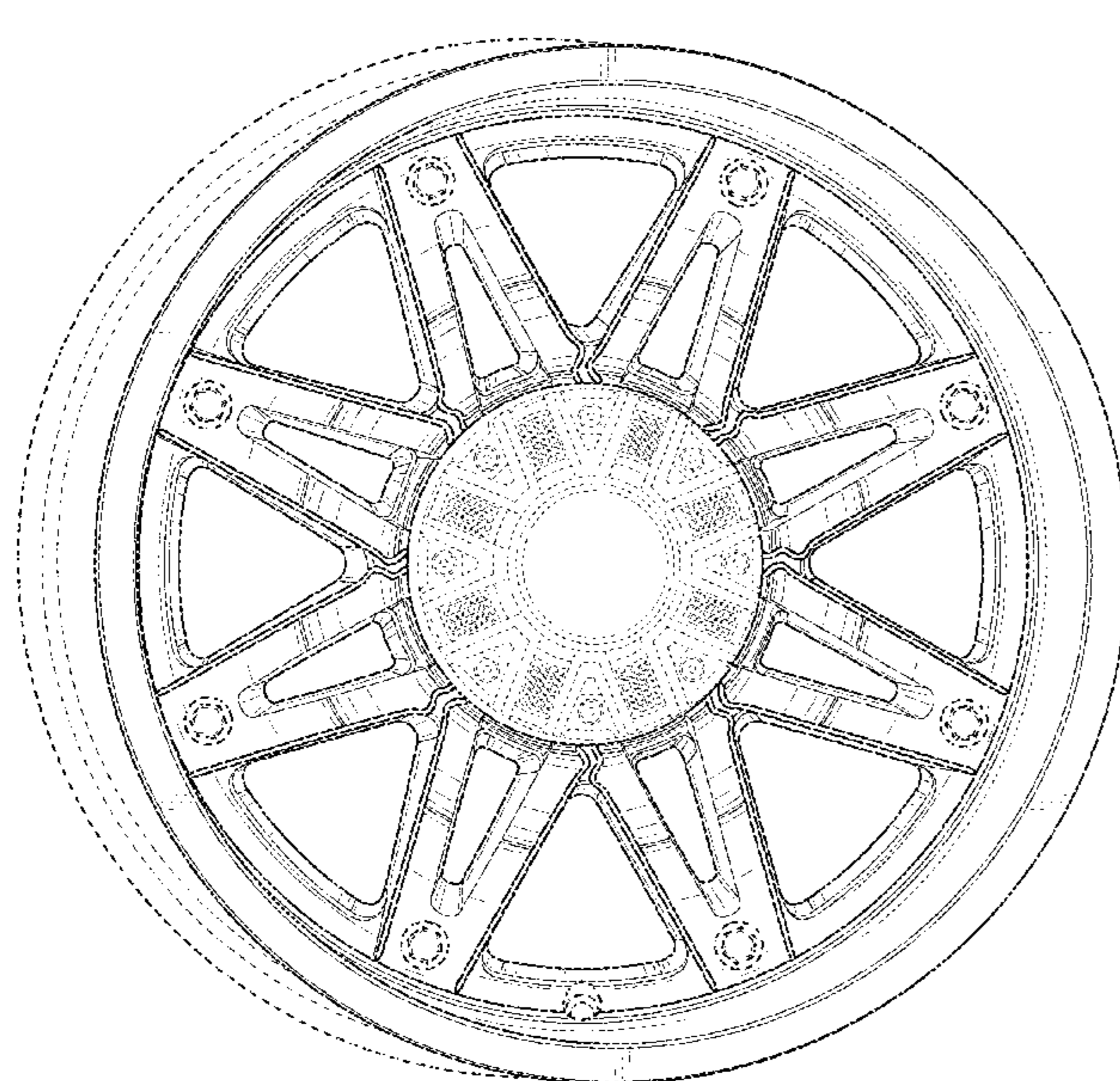
(57) **CLAIM**

I claim the ornamental design for a vehicle wheel, as shown and described.

**DESCRIPTION**

FIG. 1 is a perspective view of the vehicle wheel showing my new design; and, FIG. 2 is a front view of the vehicle wheel. In the drawings the broken lines depict portions of the wheel that form no part of the claimed design.

**1 Claim, 2 Drawing Sheets**



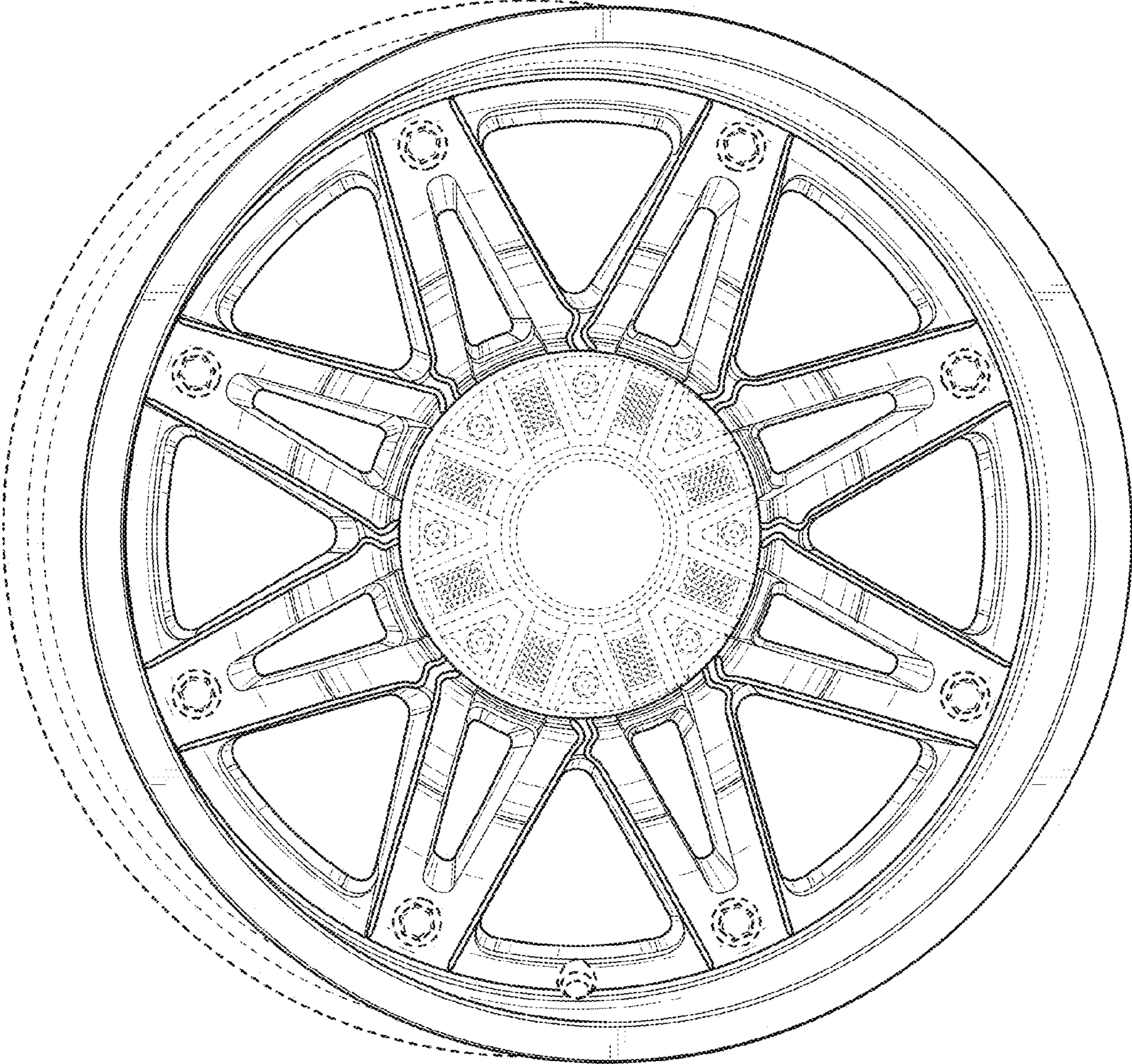


FIG. 1

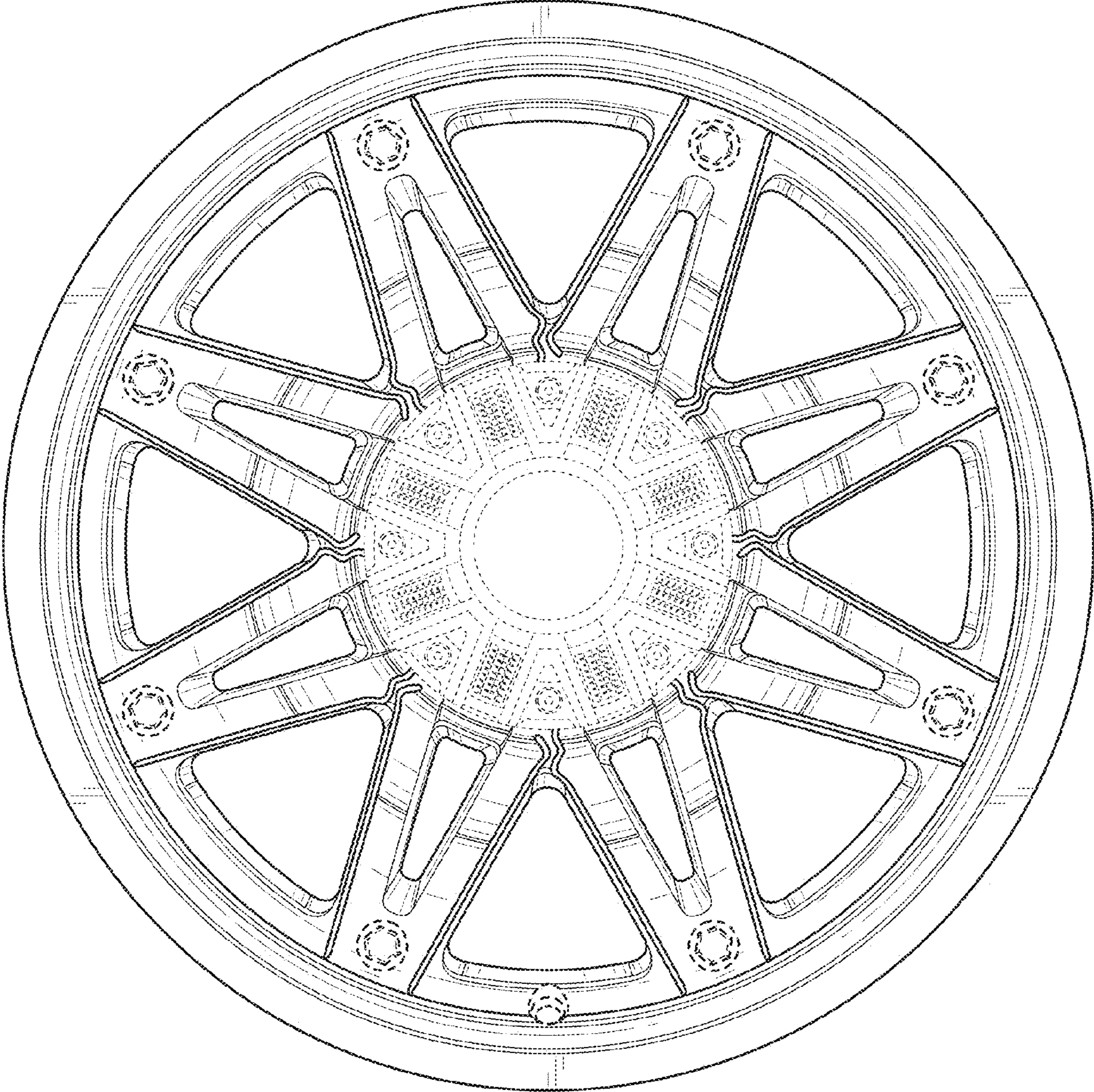


FIG. 2