



US00D924767S

(12) **United States Design Patent**  
**Piele et al.**

(10) **Patent No.:** **US D924,767 S**  
(45) **Date of Patent:** **\*\* Jul. 13, 2021**

(54) **HUB OF VEHICLE WHEEL**  
(71) Applicant: **Innotorq GmbH**, Planegg (DE)  
(72) Inventors: **Theodor Piele**, Gauting (DE); **Herbert Sammüller**, Martinsried (DE)  
(\*\*) Term: **15 Years**  
(21) Appl. No.: **35/508,260**  
(22) Filed: **Nov. 14, 2019**  
(80) **Hague Agreement Data**  
Int. Filing Date: **Nov. 14, 2019**  
Int. Reg. No.: **DM/205003**  
Int. Reg. Date: **Nov. 14, 2019**  
Int. Reg. Pub. Date: **Dec. 27, 2019**

D585,801 S \* 2/2009 Wang ..... D12/207  
D591,215 S \* 4/2009 Weigand ..... D12/207  
D629,731 S \* 12/2010 Wang ..... D12/207  
D666,545 S \* 9/2012 Kappius ..... D12/207  
D721,315 S \* 1/2015 Delavy ..... D12/207  
D753,040 S \* 4/2016 Lisanti ..... D12/207  
D773,973 S \* 12/2016 Lin ..... D12/207  
D776,038 S \* 1/2017 Hensel ..... D12/207  
D791,667 S \* 7/2017 Prasad ..... D12/207  
D799,393 S \* 10/2017 Caldwell ..... D12/207  
9,783,000 B2 \* 10/2017 Perini ..... B60B 27/00  
D803,137 S \* 11/2017 Platto ..... D12/213  
D823,212 S \* 7/2018 Prasad ..... D12/207  
10,112,436 B2 \* 10/2018 Denmead ..... B60B 3/16  
D877,015 S \* 3/2020 Chen ..... D12/207  
10,844,908 B2 \* 11/2020 Christie ..... F16D 1/076

\* cited by examiner

*Primary Examiner* — Darlington Ly  
(74) *Attorney, Agent, or Firm* — Falk Ewers; Ewers IP Law PLLC

(30) **Foreign Application Priority Data**  
May 14, 2019 (DE) ..... 40 2019 100 527.7  
(51) **LOC (13) Cl.** ..... **12-16**  
(52) **U.S. Cl.**  
USPC ..... **D12/207**  
(58) **Field of Classification Search**  
USPC ..... D12/204–213  
CPC .... B60B 1/00; B60B 1/08; B60B 1/10; B60B 1/12; B60B 3/04; B60B 3/06; B60B 3/10; B60B 3/02; B60B 7/00; B60B 7/01; B60B 7/02; B60B 7/04; B60B 7/06  
See application file for complete search history.

(57) **CLAIM**

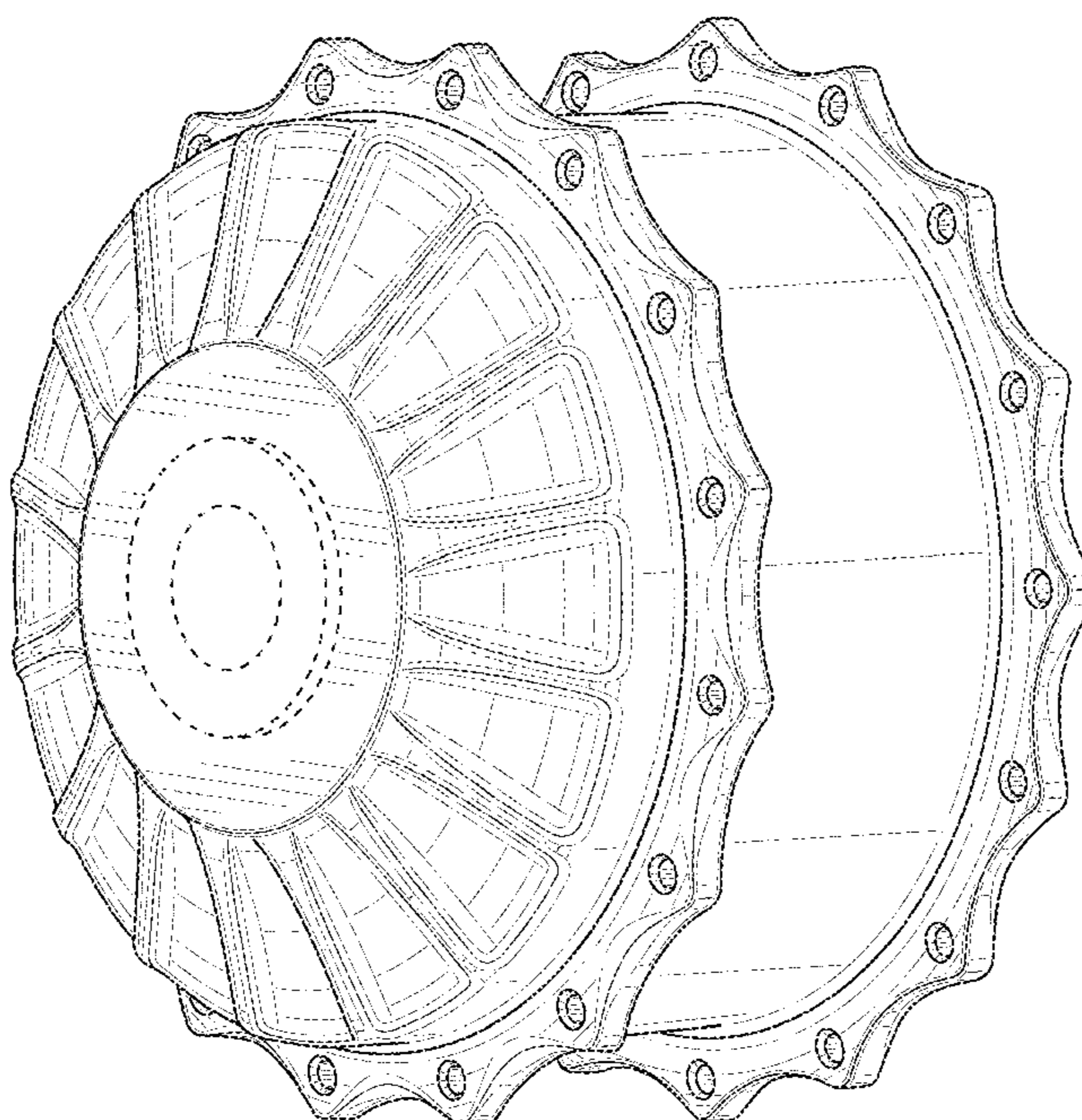
The ornamental design for a hub of vehicle wheel, as shown and described.

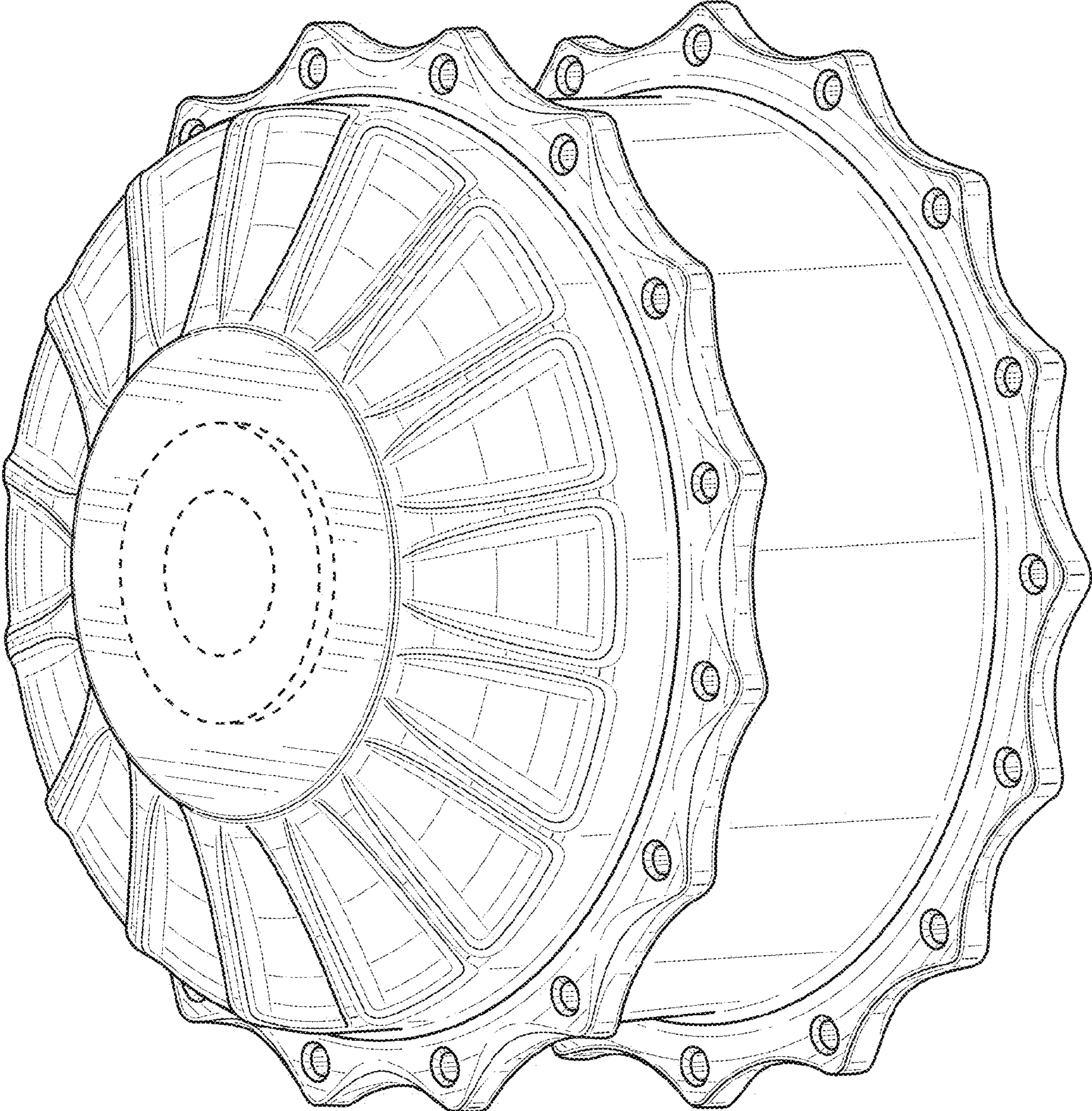
**DESCRIPTION**

1. Hub of vehicle wheel  
**1.1** is a left side perspective view of a hub of vehicle wheel embodying our new design;  
**1.2** is a front elevation view thereof;  
**1.3** is a left side elevation view thereof;  
**1.4** is a right side elevation view thereof; and  
**1.5** is a right side perspective view thereof.  
The broken lines in the reproductions illustrate portions of the hub of vehicle wheel that form no part of the claimed design.

(56) **References Cited**  
U.S. PATENT DOCUMENTS  
D528,492 S \* 9/2006 Wu ..... D12/207  
D536,291 S \* 2/2007 Wright ..... D12/207

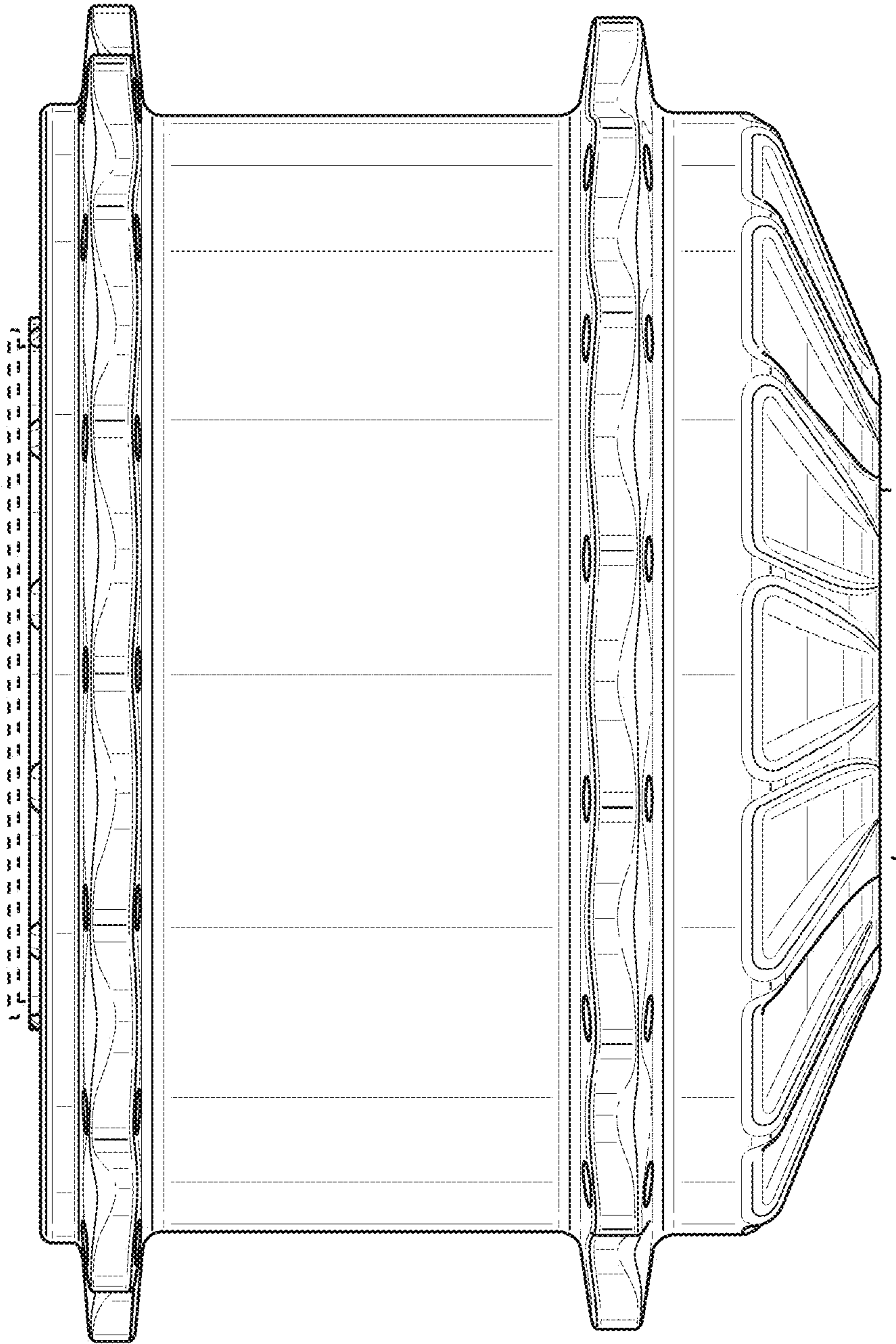
**1 Claim, 5 Drawing Sheets**



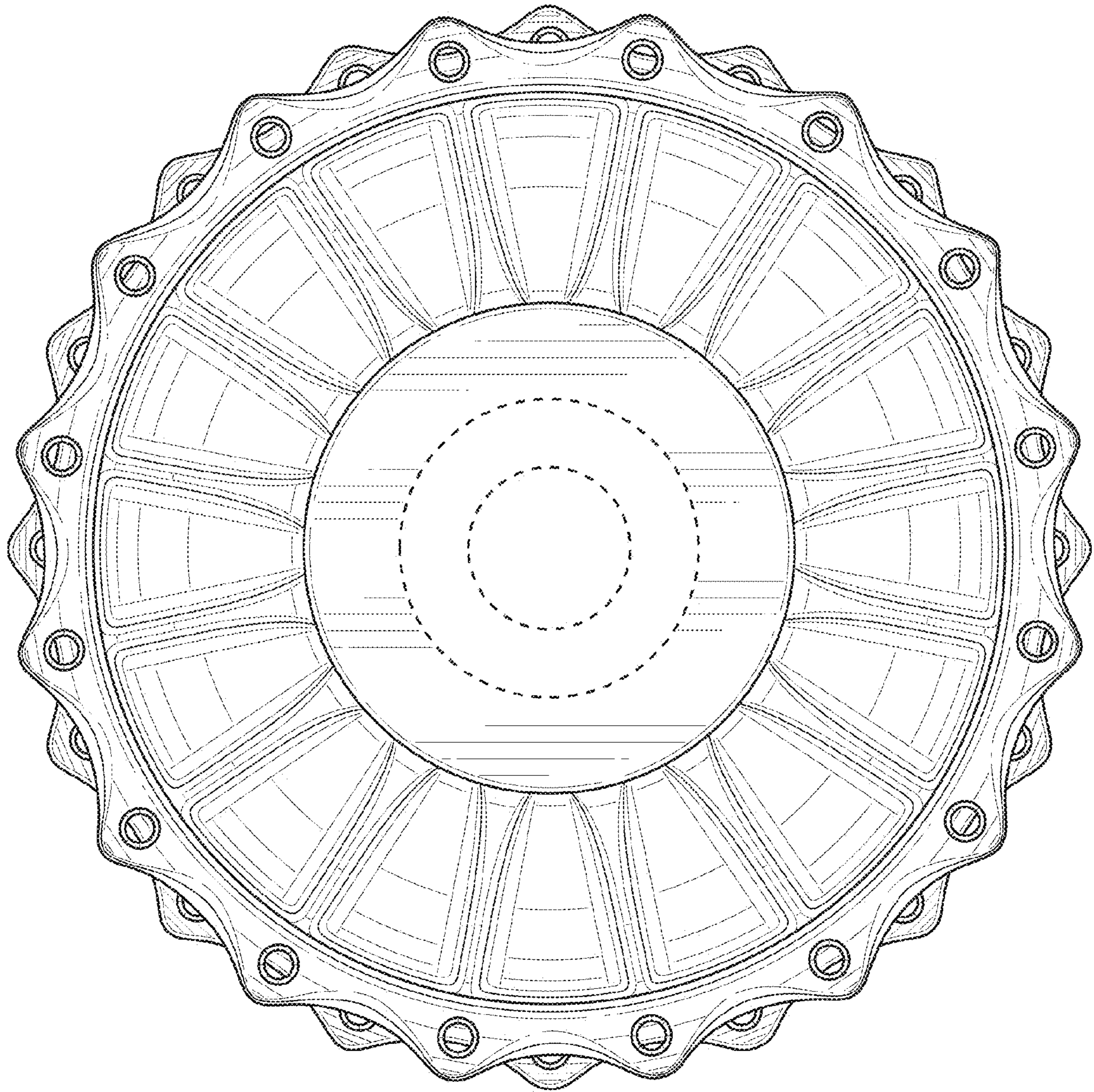


**1.1**



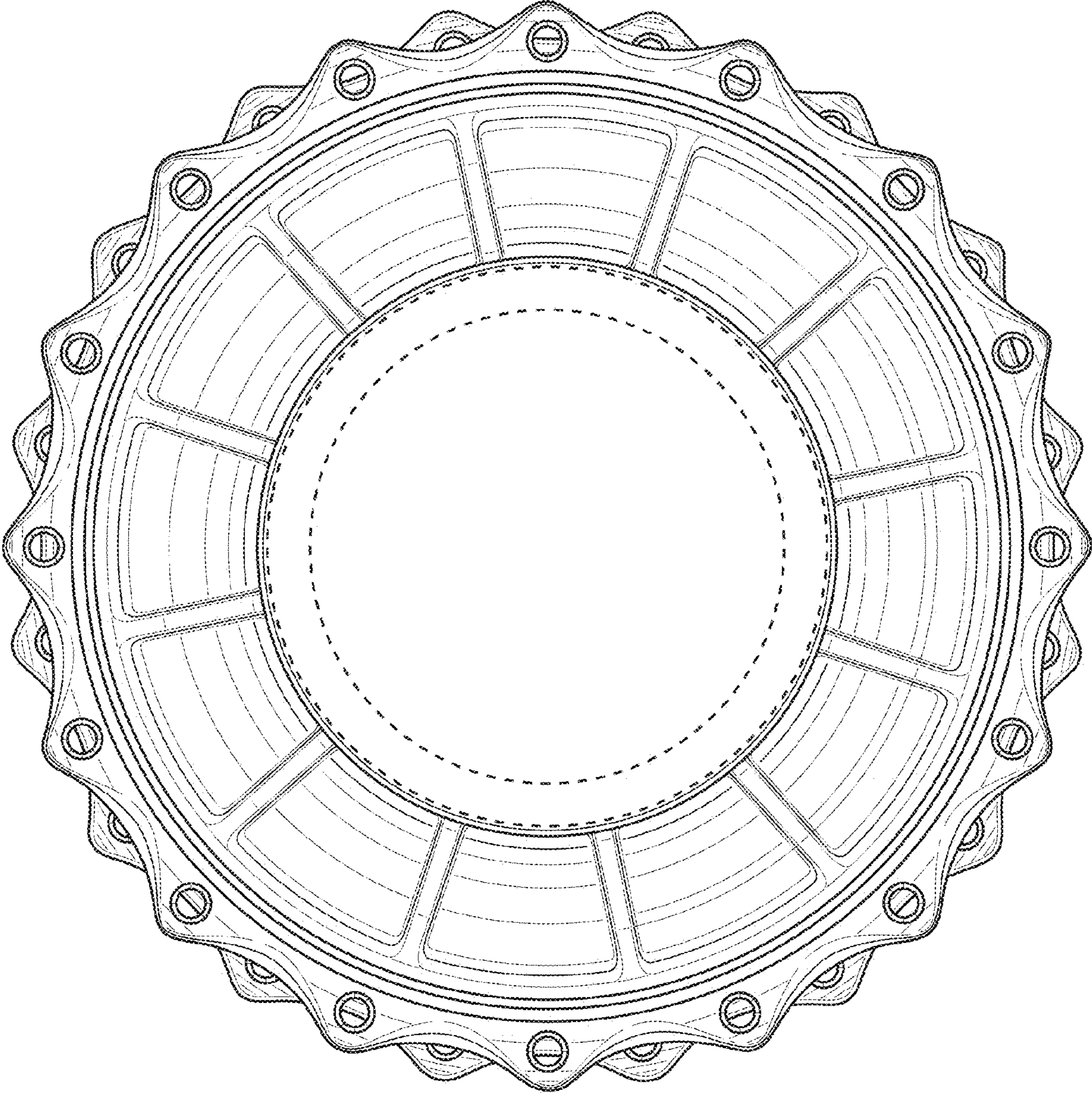


**1.2**

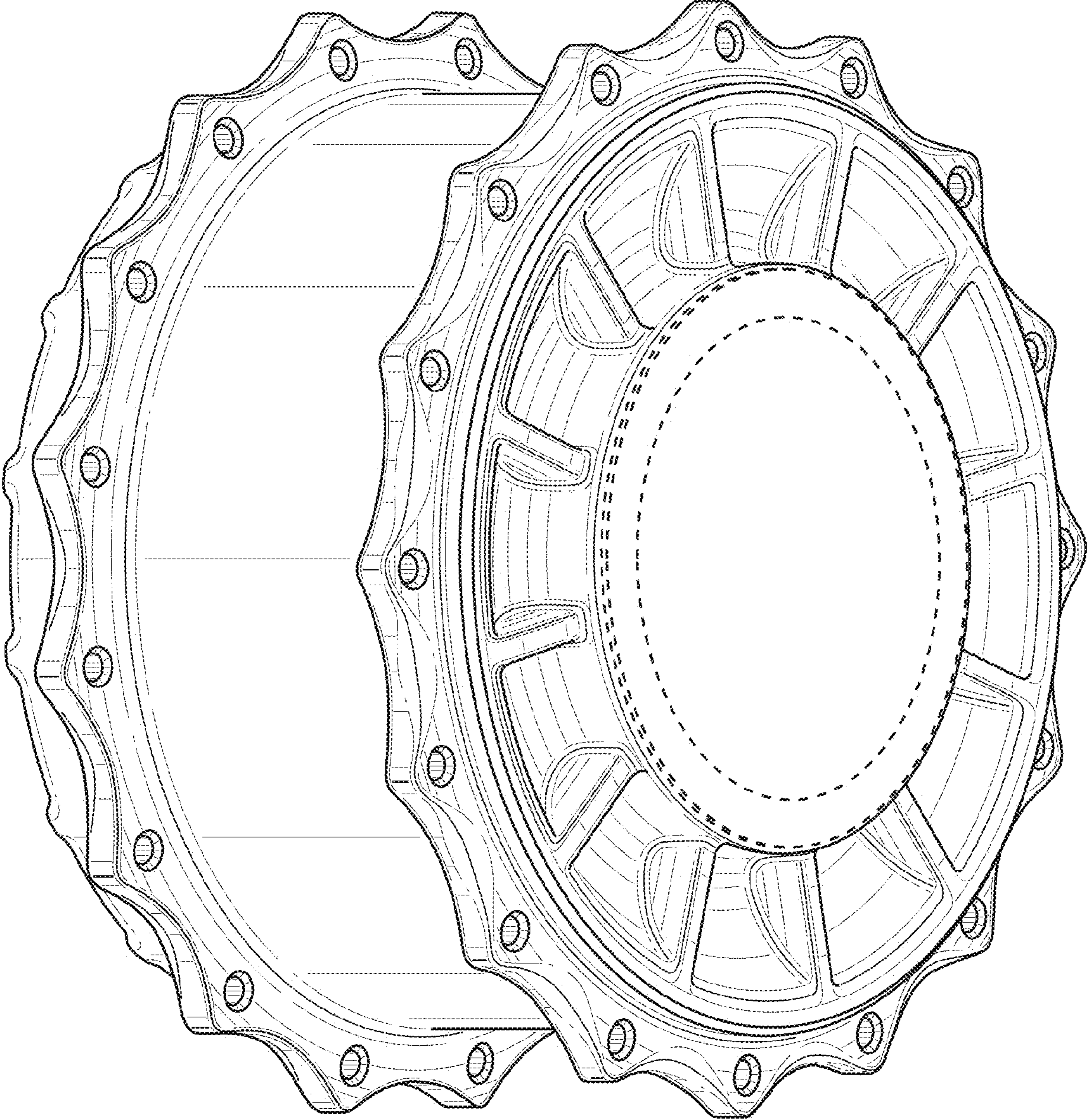


**1.3**





**1.4**



**1.5**