



US00D924764S

(12) **United States Design Patent** (10) **Patent No.:** **US D924,764 S**
Wraith et al. (45) **Date of Patent:** **** Jul. 13, 2021**

(54) **VEHICLE LIFTGATE**
(71) Applicant: **Ford Global Technologies, LLC**,
Dearborn, MI (US)
(72) Inventors: **Paul J. Wraith**, West Bloomfield, MI
(US); **Dong H. Park**, Canton, MI (US);
Brian S. Paik, Los Angeles, CA (US);
Daniel J. Kangas, Livonia, MI (US);
Joseph I. Halaszynski, Farmington
Hills, MI (US)

(73) Assignee: **Ford Global Technologies, LLC**,
Dearborn, MI (US)

(**) Term: **15 Years**

(21) Appl. No.: **29/700,442**

(22) Filed: **Aug. 2, 2019**

(51) **LOC (13) Cl.** **12-16**

(52) **U.S. Cl.**
USPC **D12/196**

(58) **Field of Classification Search**
USPC D12/190, 193, 195, 196, 414, 86, 90, 91,
D12/92
CPC E05B 81/56; E05B 81/80; E05B 65/00;
E05B 65/06; E05B 65/10; E05B 65/12;
E05B 79/06; B60J 5/04
See application file for complete search history.

(56) **References Cited**

U.S. PATENT DOCUMENTS

4,721,333 A * 1/1988 Morio B60R 19/38
293/146
7,488,022 B2 * 2/2009 Belwafa B62D 25/04
296/187.13
D726,615 S * 4/2015 Wolff D12/196
9,403,562 B2 * 8/2016 Fujii B62D 35/00
D769,153 S * 10/2016 Fahr-Becker D12/91
9,637,175 B2 * 5/2017 Bogachuk B21D 7/00

D797,632 S * 9/2017 Zipfel D12/196
D803,123 S * 11/2017 Granlund D12/196
D805,985 S * 12/2017 Nakamura D12/196
D811,302 S * 2/2018 Piscitelli D12/196
D820,183 S * 6/2018 Gueler D12/196
D892,681 S * 8/2020 Nishikado D12/91
D898,616 S * 10/2020 Jung D12/91
D898,619 S * 10/2020 Hirzel D12/91

(Continued)

OTHER PUBLICATIONS

Jackson, Sean. "Ford Will Bring Back the Bronco, Built in the USA." Oct. 3, 2016. SUVs. <https://suv.com/news/ford-will-bring-back-the-bronco-built-in-the-usa/> (Year: 2016).*

(Continued)

Primary Examiner — Brett Miller
Assistant Examiner — Suzanne E Tisdell

(57) **CLAIM**

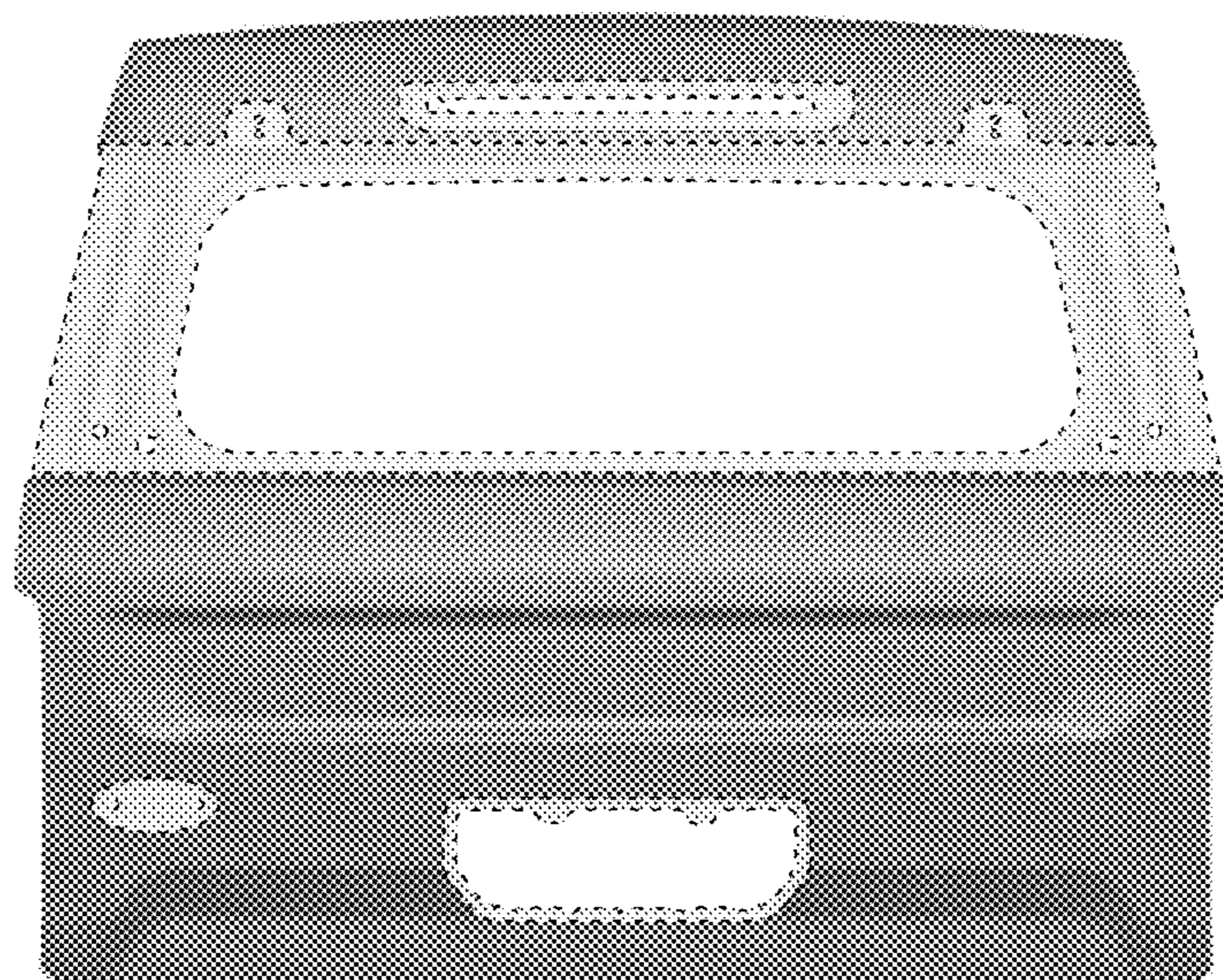
The ornamental design for a vehicle liftgate, as shown and described.

DESCRIPTION

FIG. 1 is a front elevational view of a vehicle liftgate, showing our new design;
FIG. 2 is a left side elevational view thereof;
FIG. 3 is a right side elevational view thereof;
FIG. 4 is a top plan view thereof;
FIG. 5 is a bottom plan view thereof;
FIG. 6 is a top, front and left side perspective view thereof;
and,
FIG. 7 is a bottom, front and left side perspective view thereof.

The vehicle liftgate shown in FIGS. 1-7 is shown with broken lines and the broken lines and any element shown outside of the broken lines form no part of the claimed invention, but instead are included to show environmental aspects of the claimed invention.

1 Claim, 7 Drawing Sheets



(56)

References Cited

U.S. PATENT DOCUMENTS

D901,332 S	*	11/2020	Lee	D12/86
D902,081 S	*	11/2020	Grewer	D12/91
D904,229 S	*	12/2020	Bischoff	D12/91
D905,599 S	*	12/2020	Kimura	D12/91
D906,882 S	*	1/2021	Beckles	D12/91
D906,884 S	*	1/2021	Bischoff	D12/91
D909,244 S	*	2/2021	Gilbert	D12/91
D909,249 S	*	2/2021	Tonello	D12/91
D909,252 S	*	2/2021	Park	D12/91
D909,914 S	*	2/2021	Wraith	D12/91

OTHER PUBLICATIONS

Michael Martinez, Ford's 2020 Baby Bronco off-roader emerges in photos from dealer meeting, <http://www.automews.com/article/20181113/OEM04/181119911/ford-baby-bronco-photos-leaked> Nov. 13, 2018.

* cited by examiner

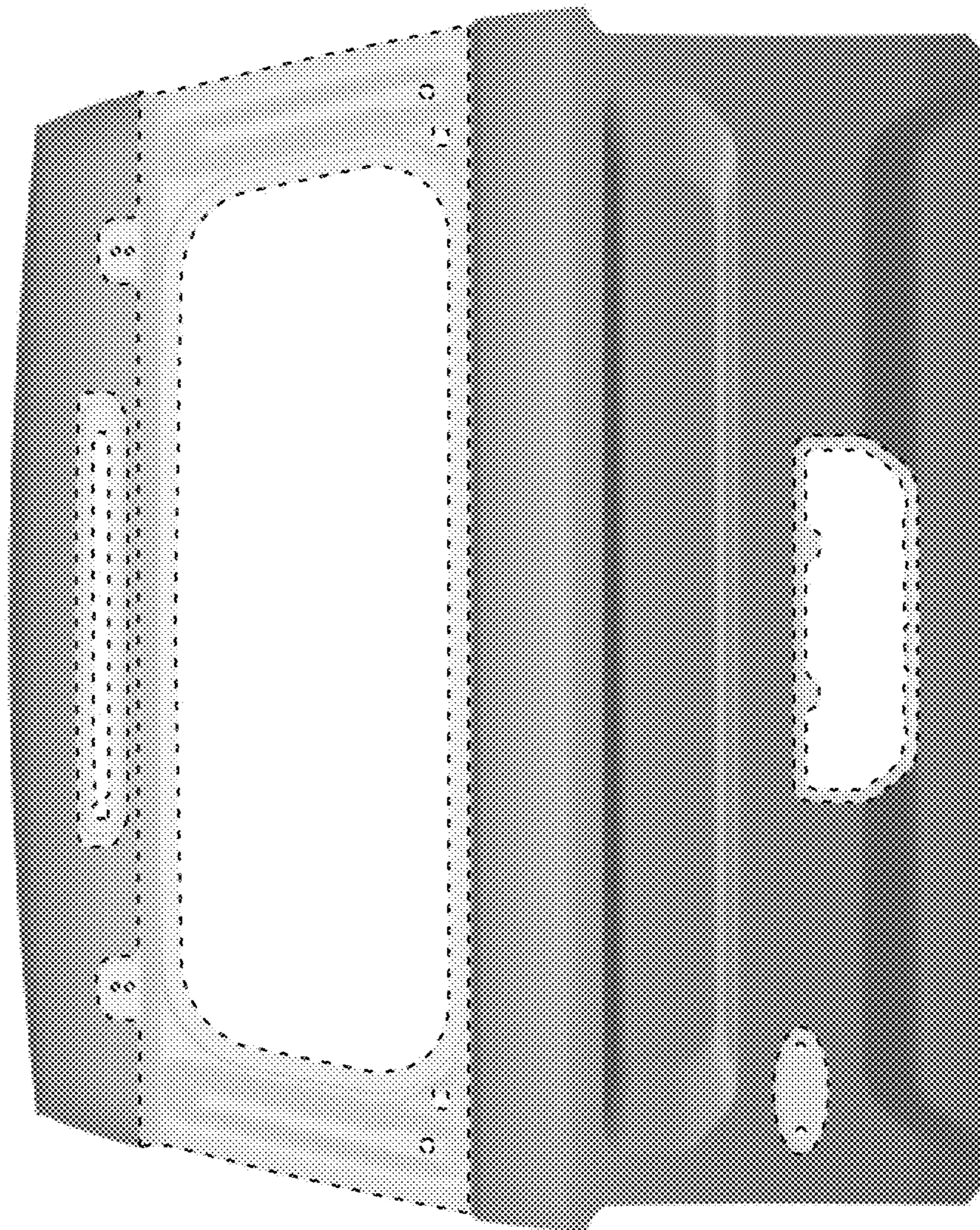
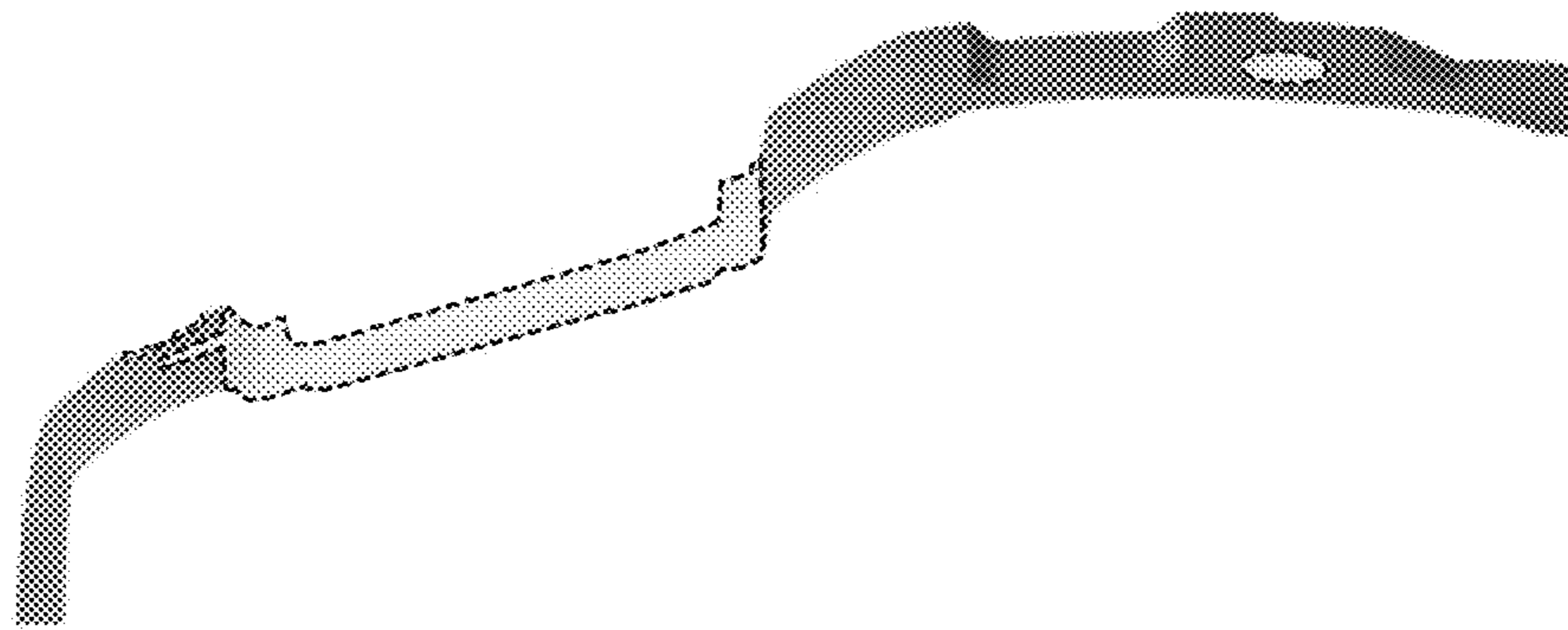


Fig.1

Fig. 2



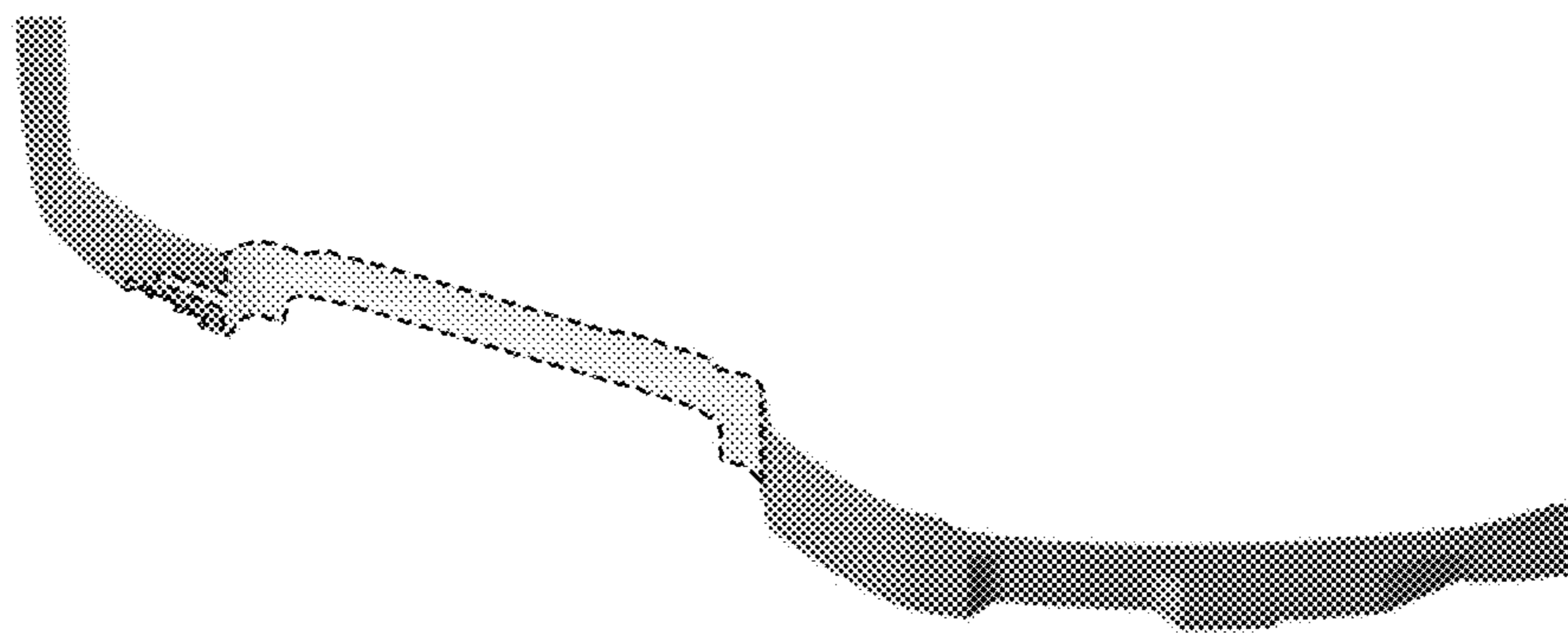


Fig. 3

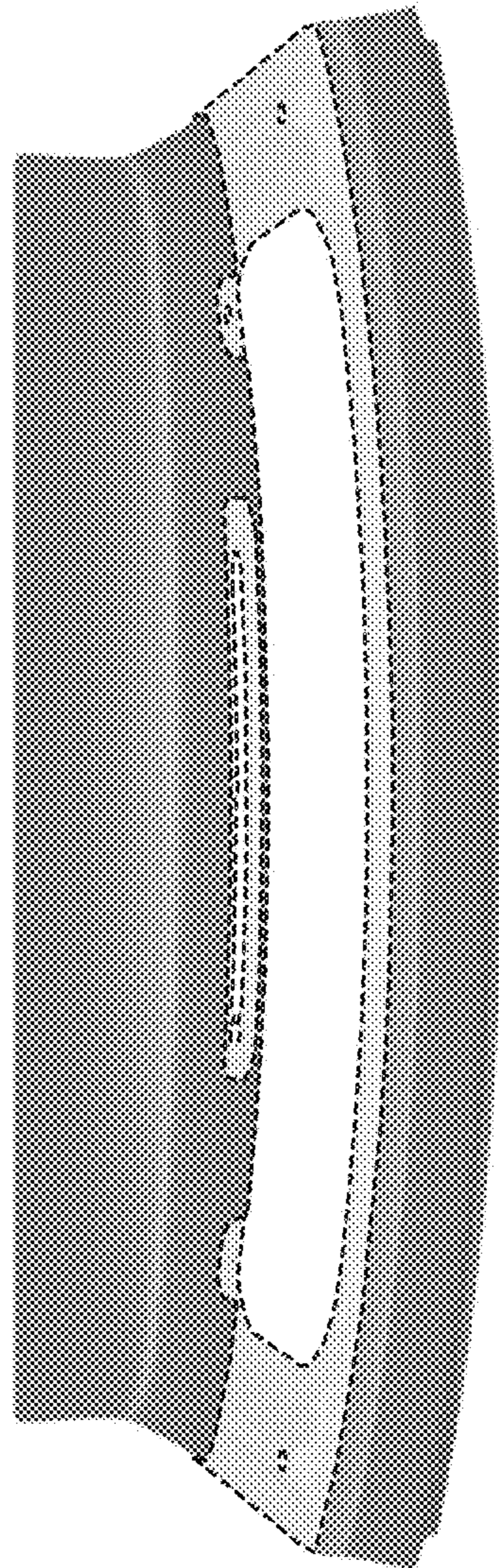
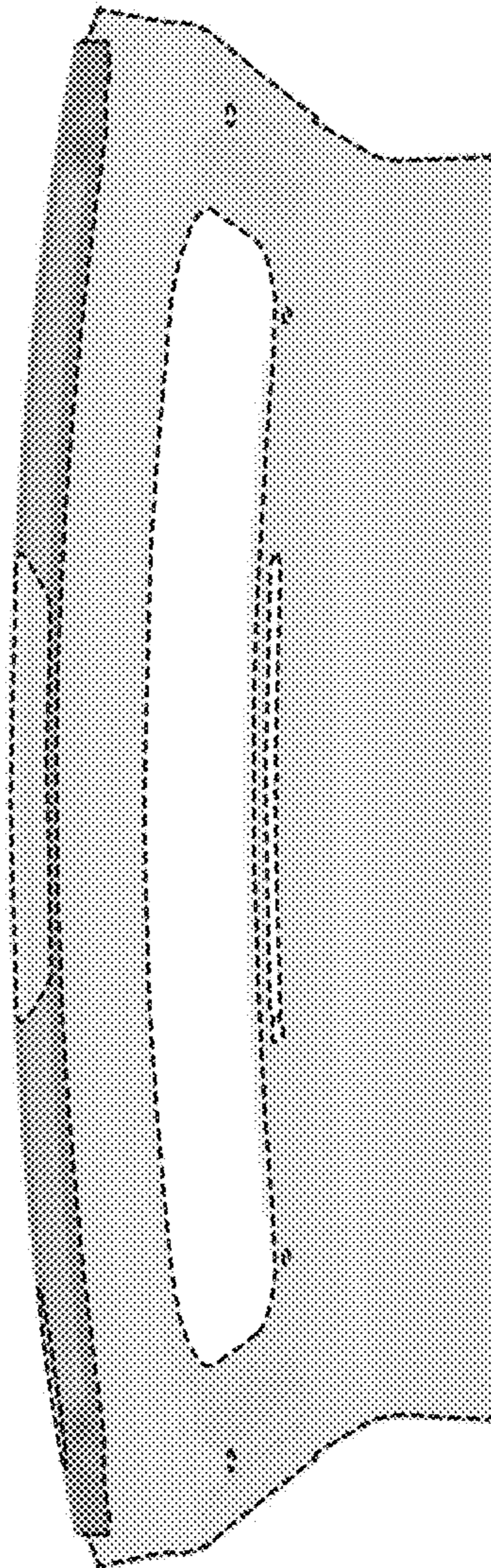


Fig.4

Fig. 5



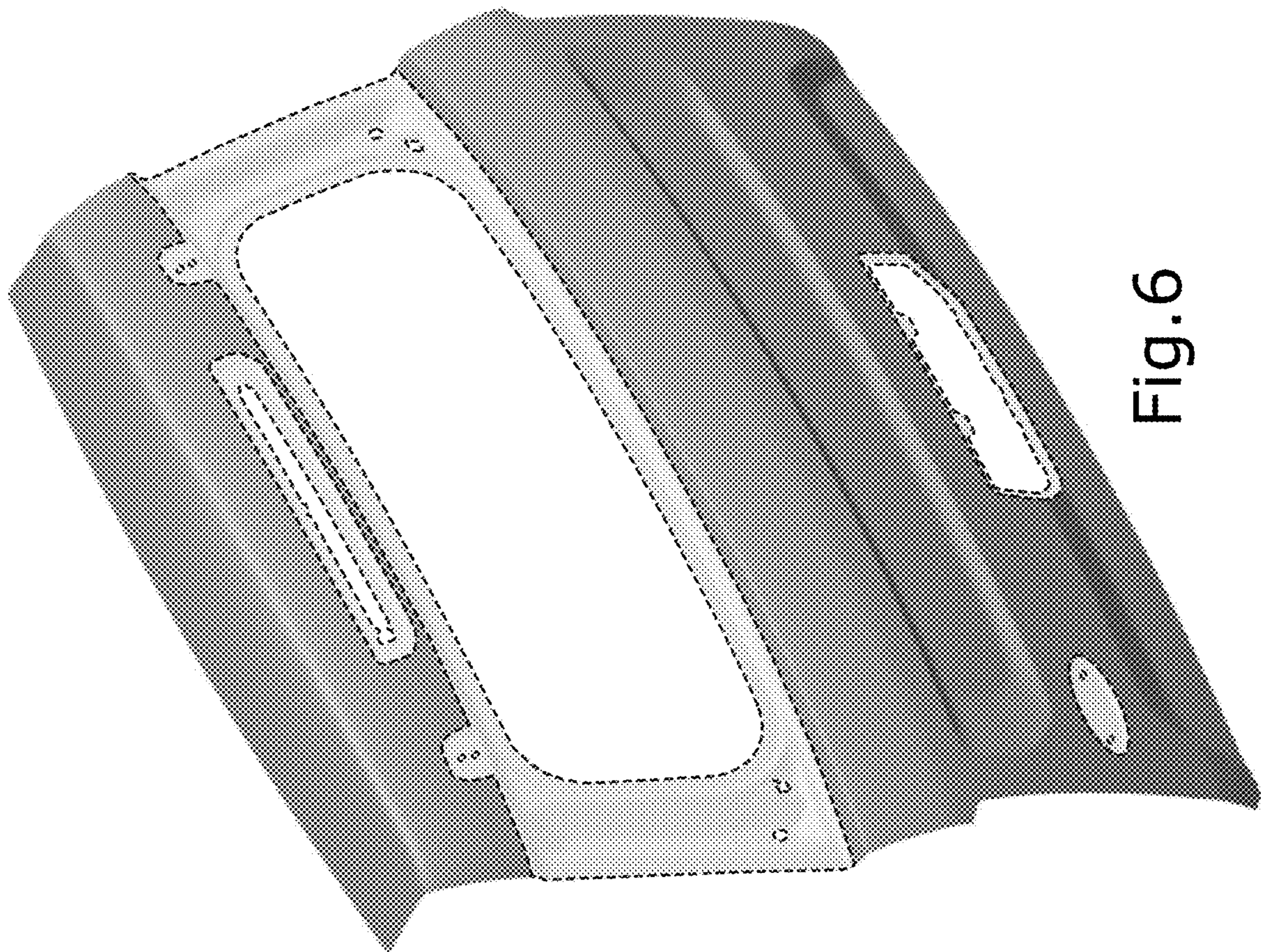


Fig. 6

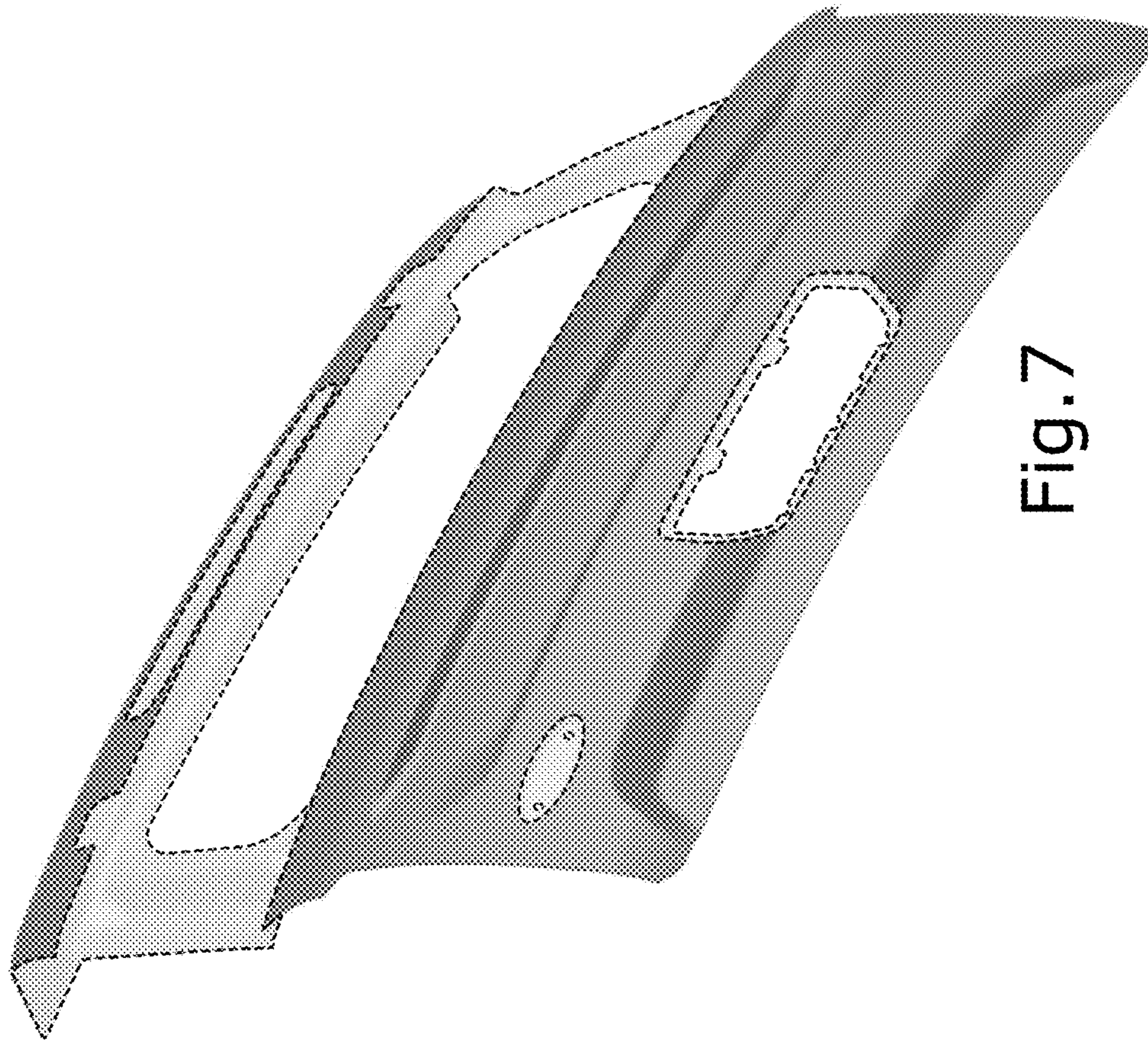


Fig. 7