



US00D924762S

(12) **United States Design Patent**  
**Hamlin et al.**

(10) **Patent No.:** **US D924,762 S**  
(45) **Date of Patent:** **\*\* Jul. 13, 2021**

- (54) **VEHICLE REARVIEW UNIT**
- (71) Applicant: **Gentex Corporation**, Zeeland, MI (US)
- (72) Inventors: **Bradley R. Hamlin**, Allendale, MI (US); **Michael G. Hendricks**, Wyoming, MI (US)
- (73) Assignee: **GENTEX CORPORATION**, Zeeland, MI (US)

D860,086 S *	9/2019	Burki .....	D12/187
D863,160 S *	10/2019	Gifford .....	D12/187
D869,363 S *	12/2019	Bucher .....	D12/187
D873,898 S	1/2020	Roth	
D877,011 S *	3/2020	Ogawa .....	D12/187
D878,263 S *	3/2020	Melikian .....	D12/187
D881,768 S *	4/2020	Gueler .....	D12/187
D883,159 S *	5/2020	Woodhouse .....	D12/187
D888,129 S *	6/2020	Lee .....	D16/208
D892,689 S *	8/2020	Anton .....	D12/187
D902,812 S *	11/2020	Sterner .....	D12/187
D906,203 S *	12/2020	Chen .....	D12/187

(\*\*) Term: **15 Years**

(21) Appl. No.: **29/719,538**

(22) Filed: **Jan. 6, 2020**

(51) **LOC (13) Cl.** ..... **12-16**

(52) **U.S. Cl.**  
USPC ..... **D12/187**

(58) **Field of Classification Search**  
USPC ..... D12/187-189; D6/300, 309  
CPC ..... B60R 1/076; G02B 7/182; G02B 5/08;  
G02B 7/18

See application file for complete search history.

(56) **References Cited**

**U.S. PATENT DOCUMENTS**

D739,887 S	9/2015	Fish, Jr. et al.	
D747,390 S	1/2016	Roth et al.	
D754,777 S	4/2016	Fish, Jr. et al.	
D812,125 S	3/2018	Ostreko et al.	
D817,382 S	5/2018	Roth et al.	
D854,991 S *	7/2019	Whitla .....	D12/187

\* cited by examiner

*Primary Examiner* — Katrina A Betton

(74) *Attorney, Agent, or Firm* — Price Heneveld LLP;  
Bradley D. Johnson

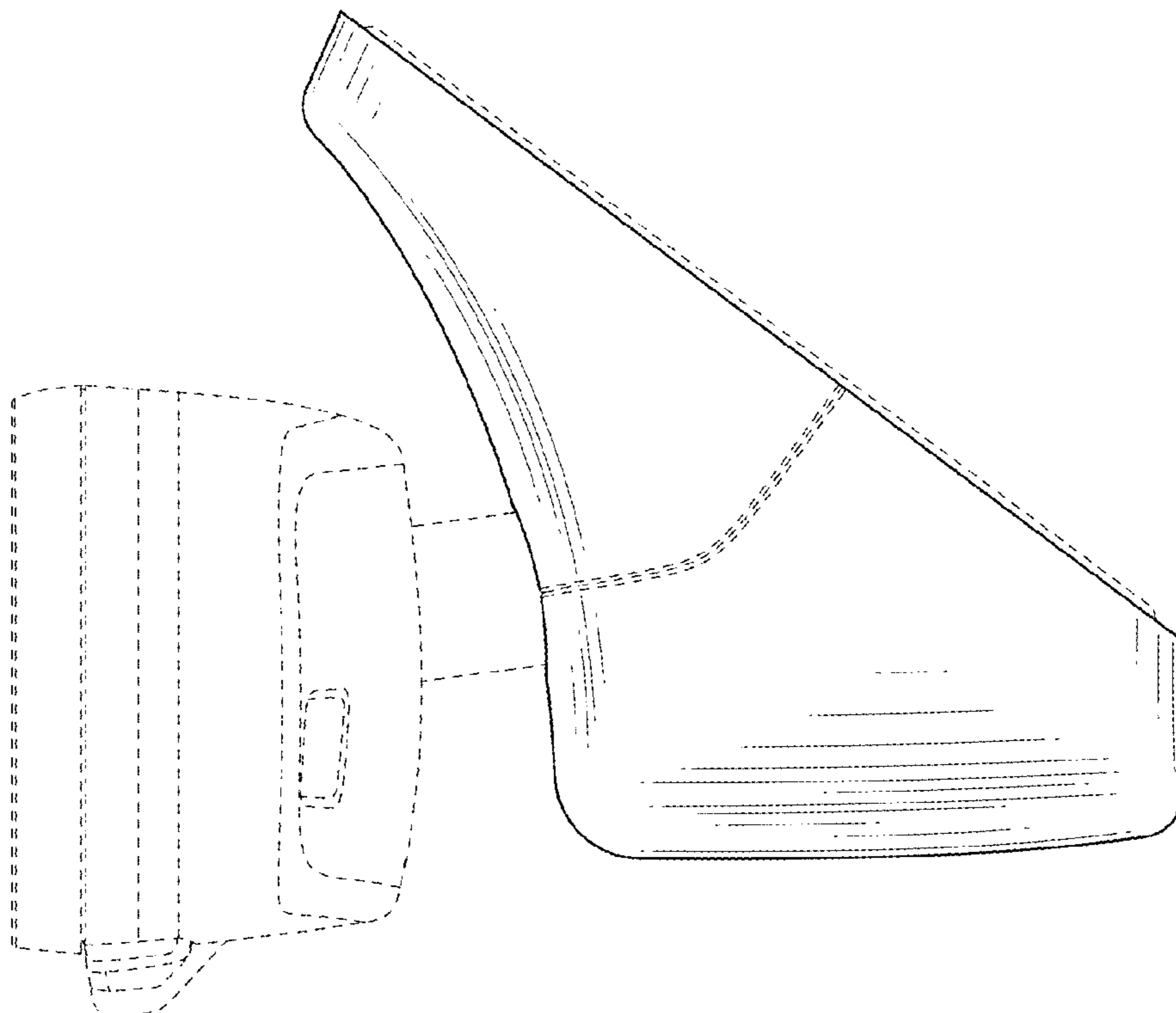
(57) **CLAIM**

The ornamental design for a vehicle rearview unit, as shown and described.

**DESCRIPTION**

FIG. 1 is a perspective view of a vehicle rearview unit according to the claimed design;  
FIG. 2 is a front elevation view thereof;  
FIG. 3 is a back elevation view thereof;  
FIG. 4 is a left side elevation view thereof;  
FIG. 5 is a right side elevation view thereof;  
FIG. 6 is a top plan view thereof; and,  
FIG. 7 is a bottom plan view thereof.  
In the drawings, the broken lines depict portions of the article that form no part of the claimed design.

**1 Claim, 7 Drawing Sheets**



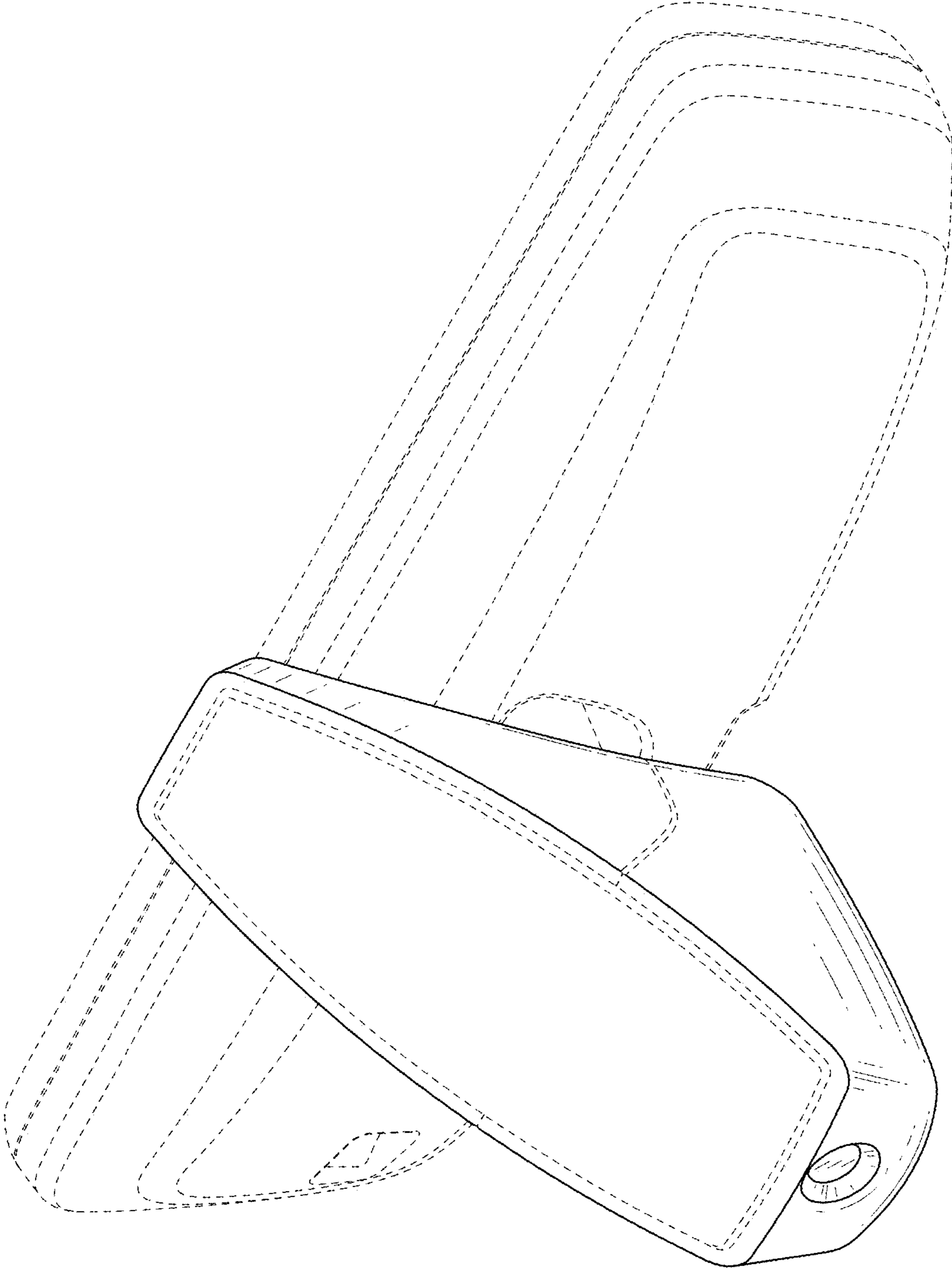


FIG.1

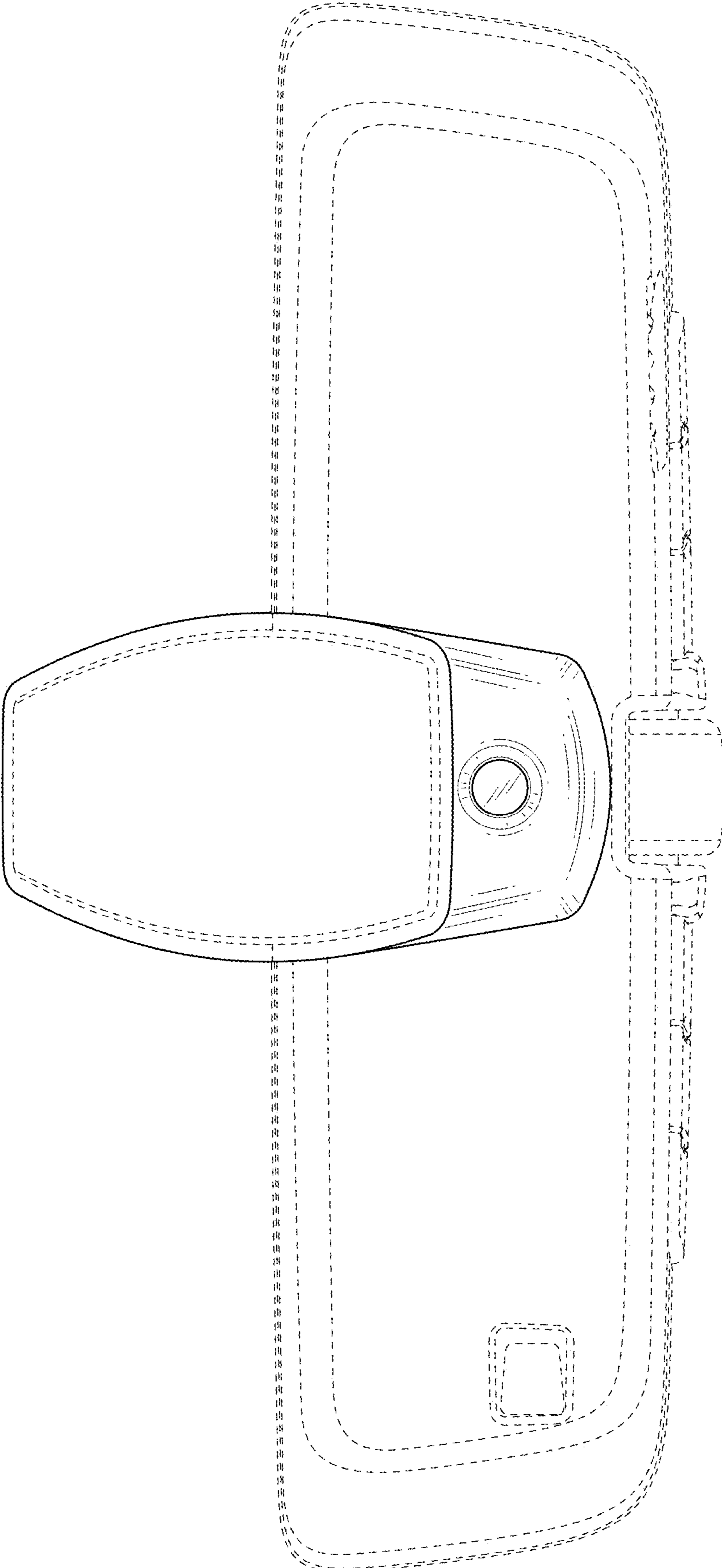


FIG. 2

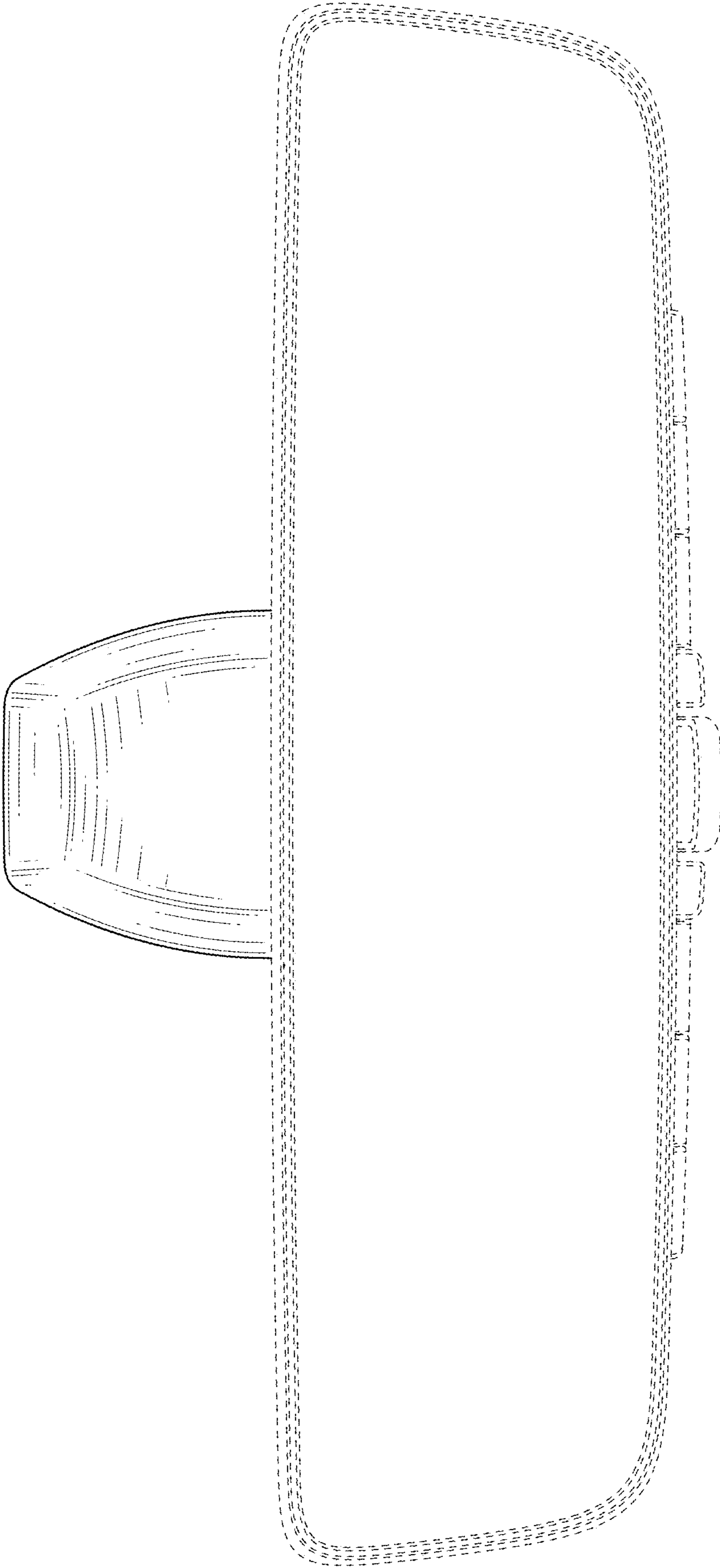


FIG. 3

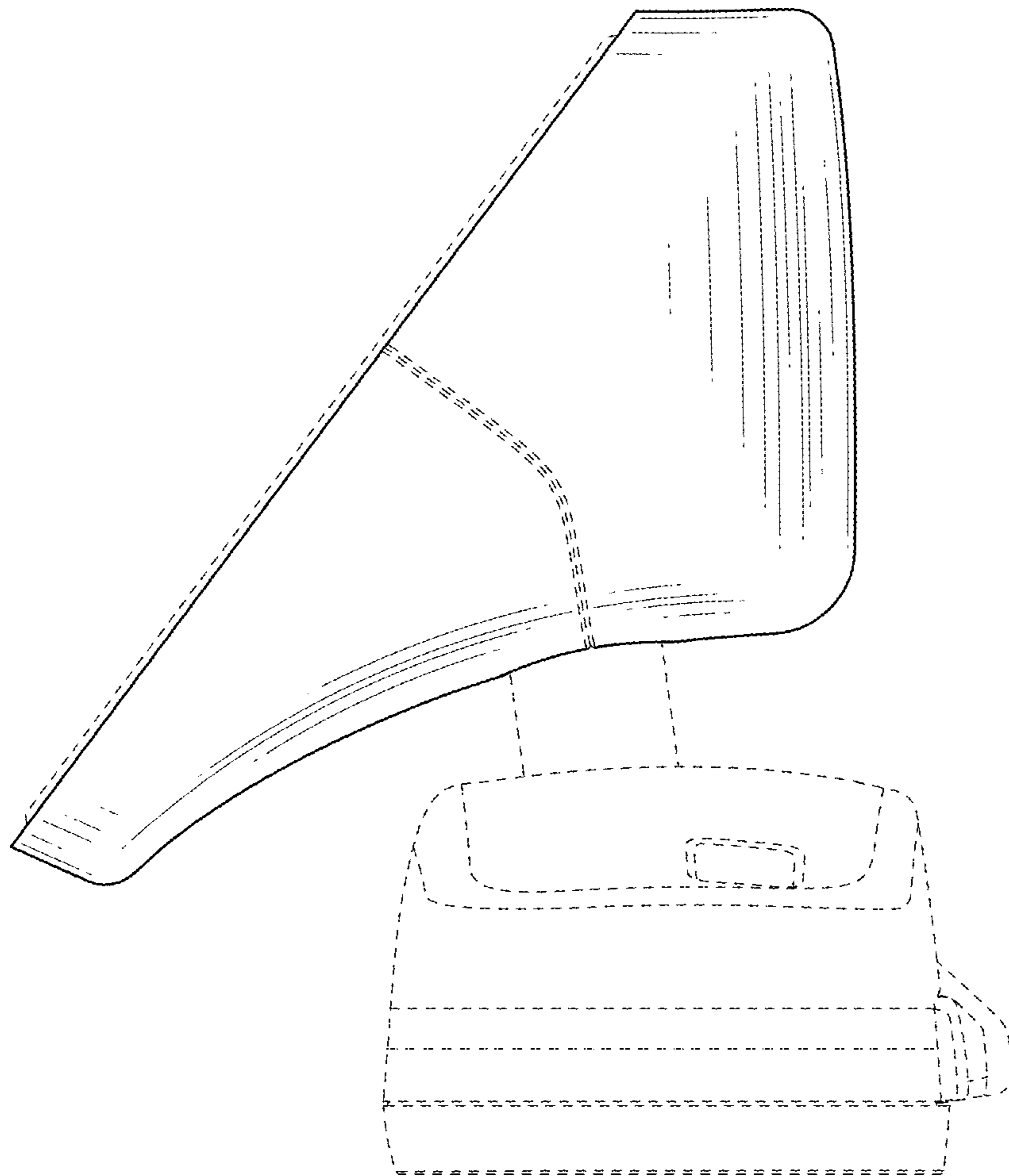


FIG.4

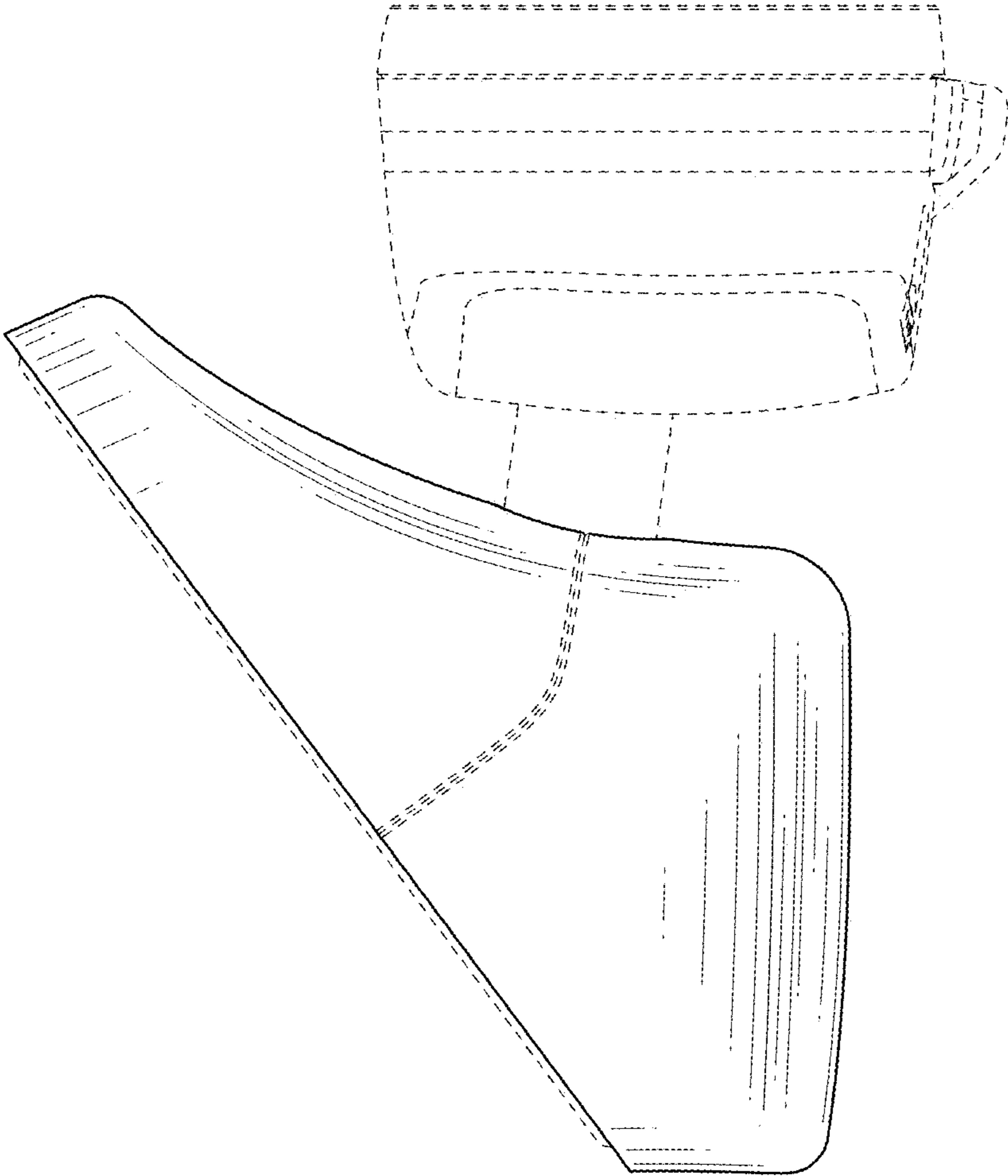


FIG. 5



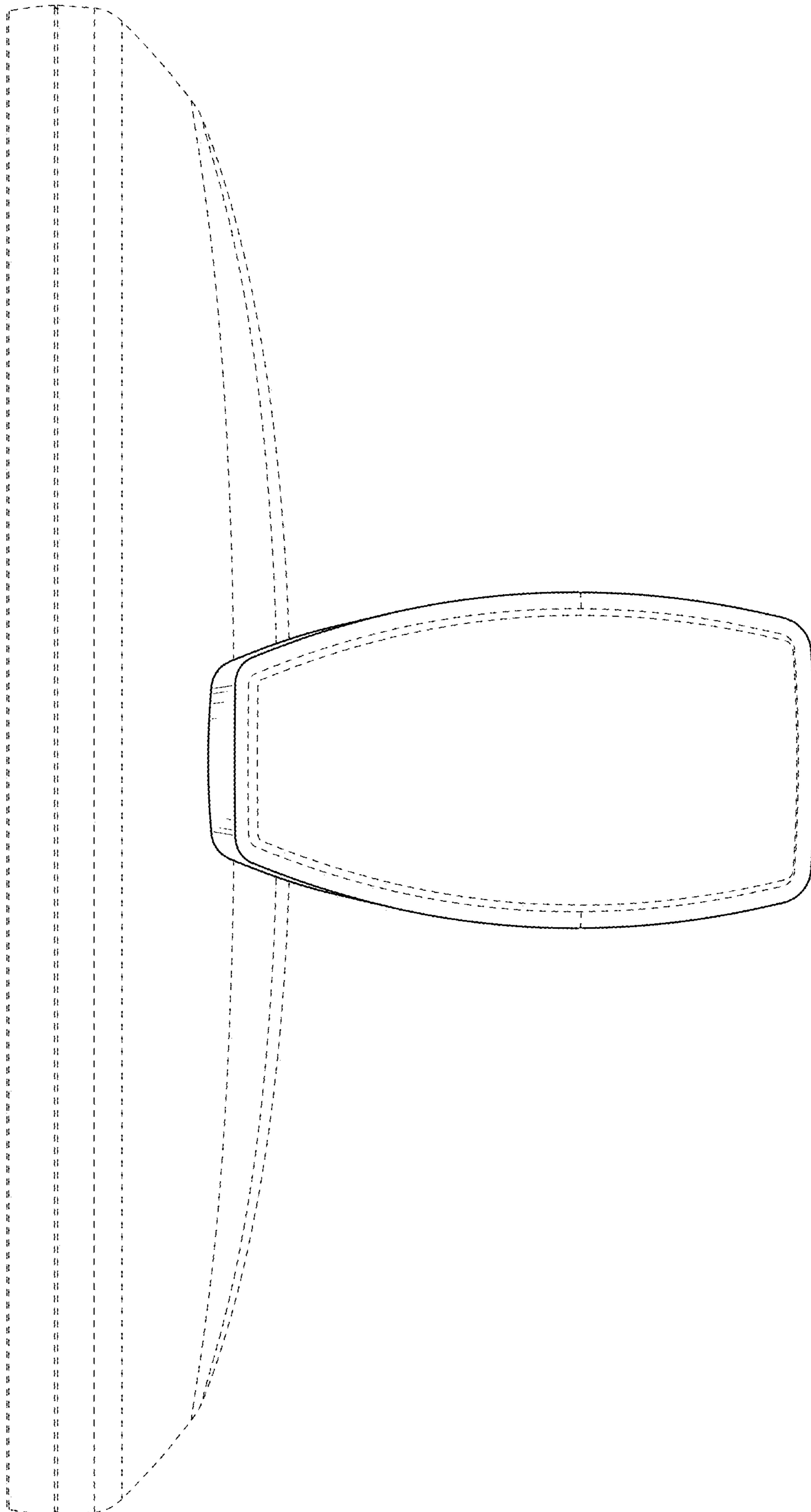


FIG. 6

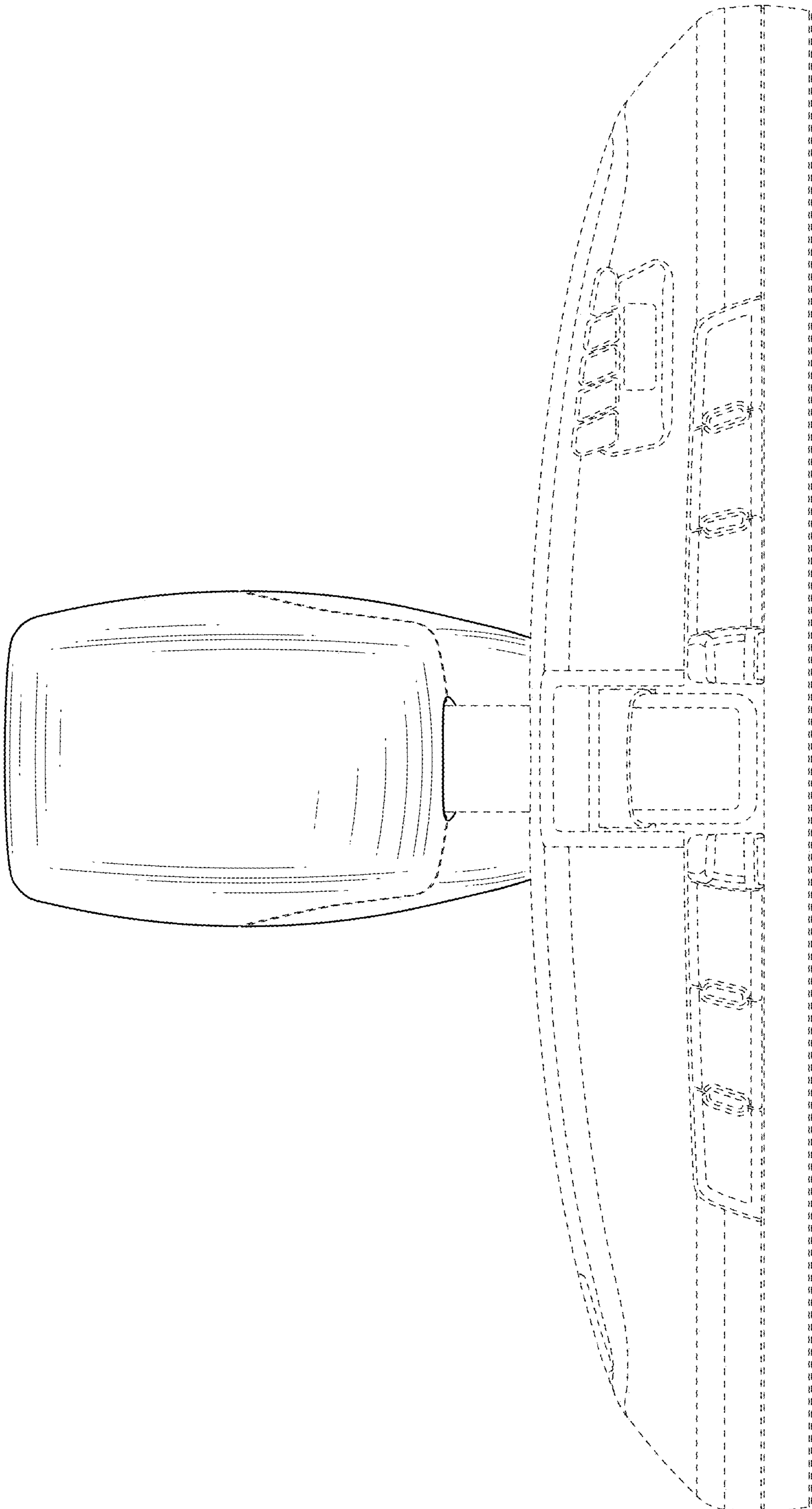


FIG. 7