



US00D924759S

(12) **United States Design Patent** (10) **Patent No.:** **US D924,759 S**
Carminati et al. (45) **Date of Patent:** **** *Jul. 13, 2021**

- (54) **DISC BRAKE**
- (71) Applicant: **Freni Brembo S.p.A.**, Curno (IT)
- (72) Inventors: **Fabiano Carminati**, Curno (IT);
Simone Biondo, Curno (IT)
- (73) Assignee: **Freni Brembo S.p.A.**, Curno Bergamo (IT)
- (*) Notice: This patent is subject to a terminal disclaimer.
- (**) Term: **15 Years**
- (21) Appl. No.: **29/702,038**
- (22) Filed: **Aug. 16, 2019**
- (30) **Foreign Application Priority Data**

- Feb. 18, 2019 (IT) 402019000000297
- (51) **LOC (13) Cl.** **12-16**
- (52) **U.S. Cl.**
USPC **D12/180**
- (58) **Field of Classification Search**
USPC D12/14, 106, 114, 118, 122, 160, 161,
D12/162, 179, 180, 207, 217, 400
CPC B22C 9/00; F16D 65/0006; F16D 65/12;
F16D 65/123; F16D 65/126; F16D
65/127; F16D 65/128; F16D 69/00
See application file for complete search history.

- (56) **References Cited**
U.S. PATENT DOCUMENTS
- 2,835,355 A * 5/1958 Armstrong F16D 65/12
188/218 XL
- 3,425,524 A * 2/1969 Dewar F16D 65/126
188/218 XL
- 4,726,455 A * 2/1988 East F16D 69/00
192/107 R

- D459,282 S * 6/2002 Oberti D12/180
- D471,140 S * 3/2003 Oberti D12/180
- D497,127 S * 10/2004 Veneziano D12/180
- D609,147 S * 2/2010 Schmitz D12/180
- D640,620 S * 6/2011 Bielis, IV D12/180
- D640,622 S * 6/2011 Schmitz D12/180
- D647,442 S * 10/2011 Schmitz D12/180
- D690,634 S * 10/2013 Joseph D12/180
- D691,528 S * 10/2013 Joseph D12/180
- 8,851,245 B2 * 10/2014 Bielis, IV F16D 65/127
188/218 XL
- 9,765,834 B2 * 9/2017 Joseph F16D 65/0006
- 10,156,275 B2 * 12/2018 Carminati F16D 65/123
- D842,781 S * 3/2019 Keller D12/180
- 2004/0040802 A1 * 3/2004 Veneziano F16D 65/128
188/218 XL
- 2004/0140164 A1 * 7/2004 Burgoon F16D 65/123
188/218 R
- 2004/0200678 A1 * 10/2004 Lin F16D 65/12
188/218 XL
- 2012/0168266 A1 * 7/2012 Veneziano F16D 65/12
188/218 XL

(Continued)

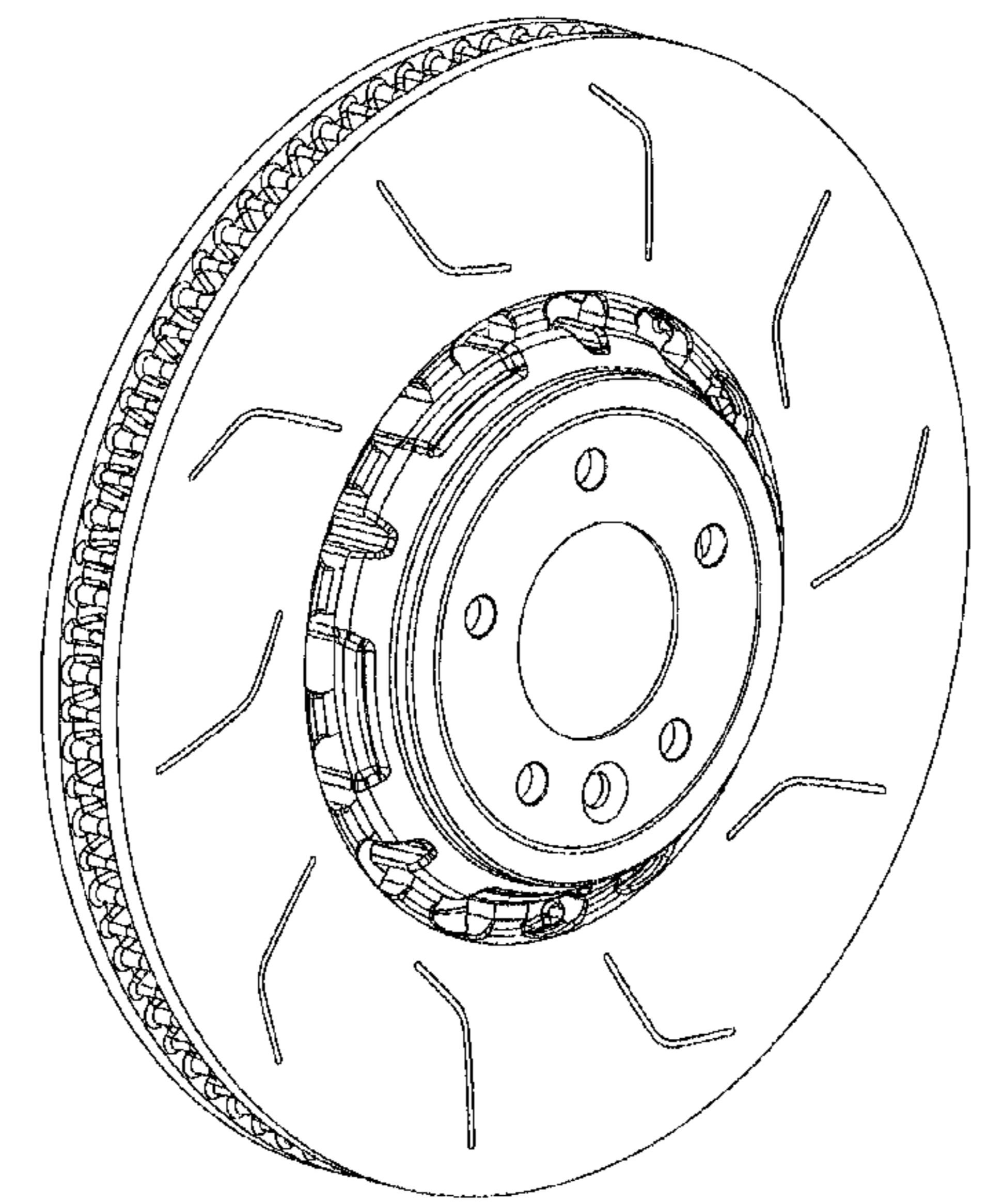
Primary Examiner — Susan E Krakower
Assistant Examiner — Jerry Shiuang-Hua Hsu
 (74) *Attorney, Agent, or Firm* — Marshall & Melhorn, LLC

(57) **CLAIM**
 The ornamental design for a disc brake, as shown and described.

DESCRIPTION

FIG. 1 is a top, front, left perspective view of a disc brake, showing our new design;
 FIG. 2 is a top, front, right perspective view thereof;
 FIG. 3 is a top, rear, left perspective view thereof;
 FIG. 4 is top, rear, right perspective view thereof;
 FIG. 5 is a rear view thereof;
 FIG. 6 is a front view thereof; and,
 FIG. 7 is right side elevation view thereof.

1 Claim, 7 Drawing Sheets



(56)

References Cited

U.S. PATENT DOCUMENTS

2013/0327602 A1* 12/2013 Barber B22C 9/00
188/218 XL

* cited by examiner

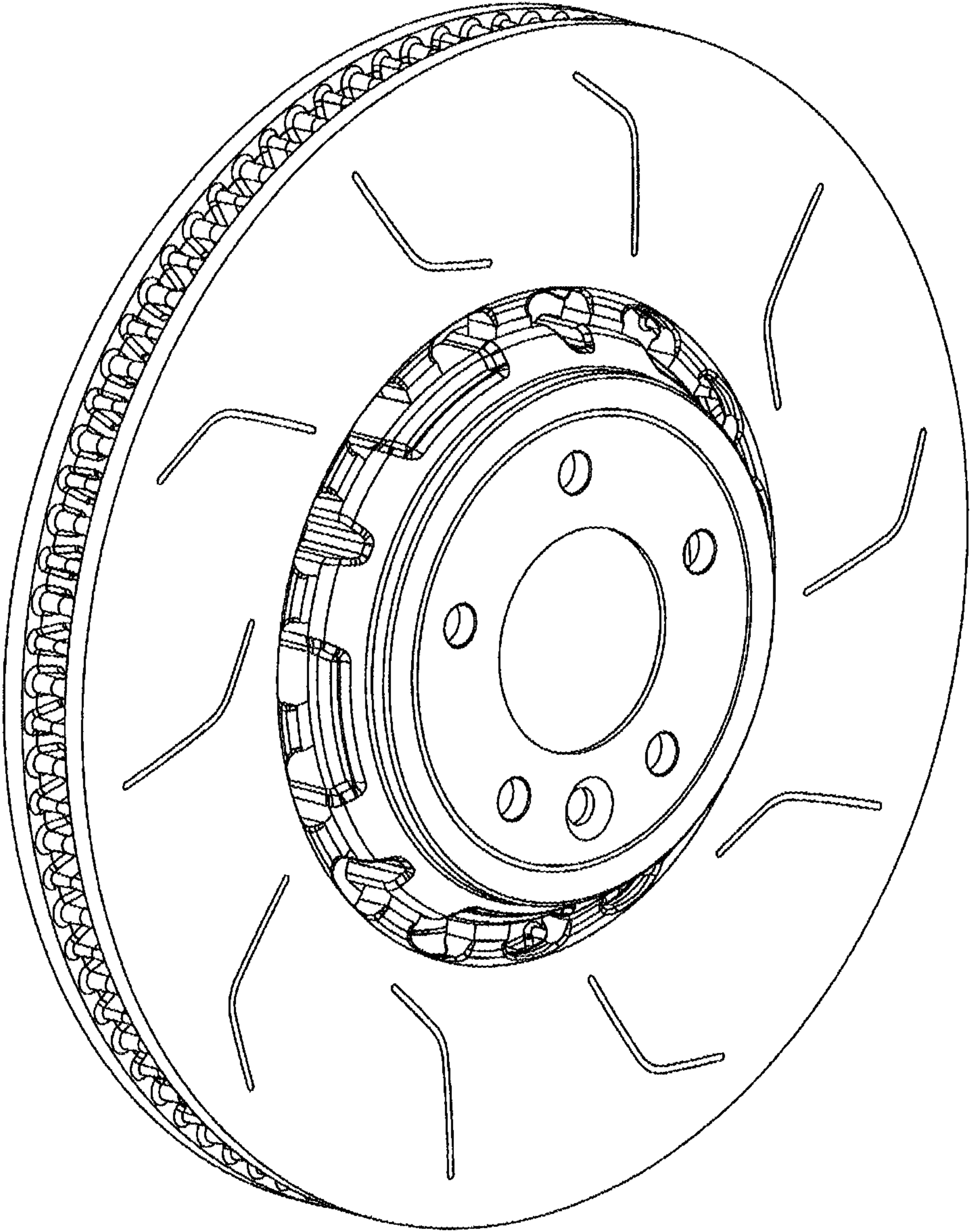


FIG. 1

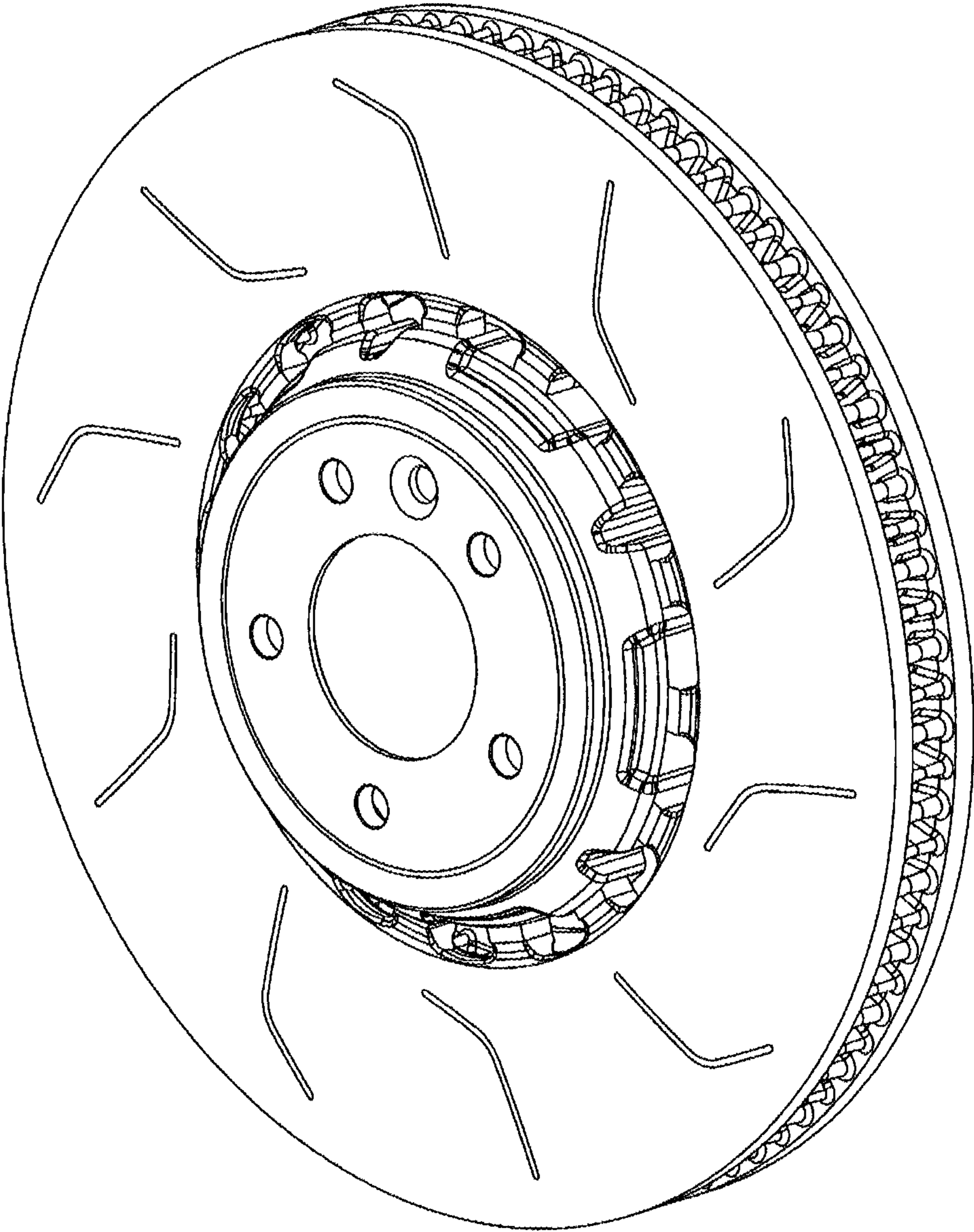


FIG. 2

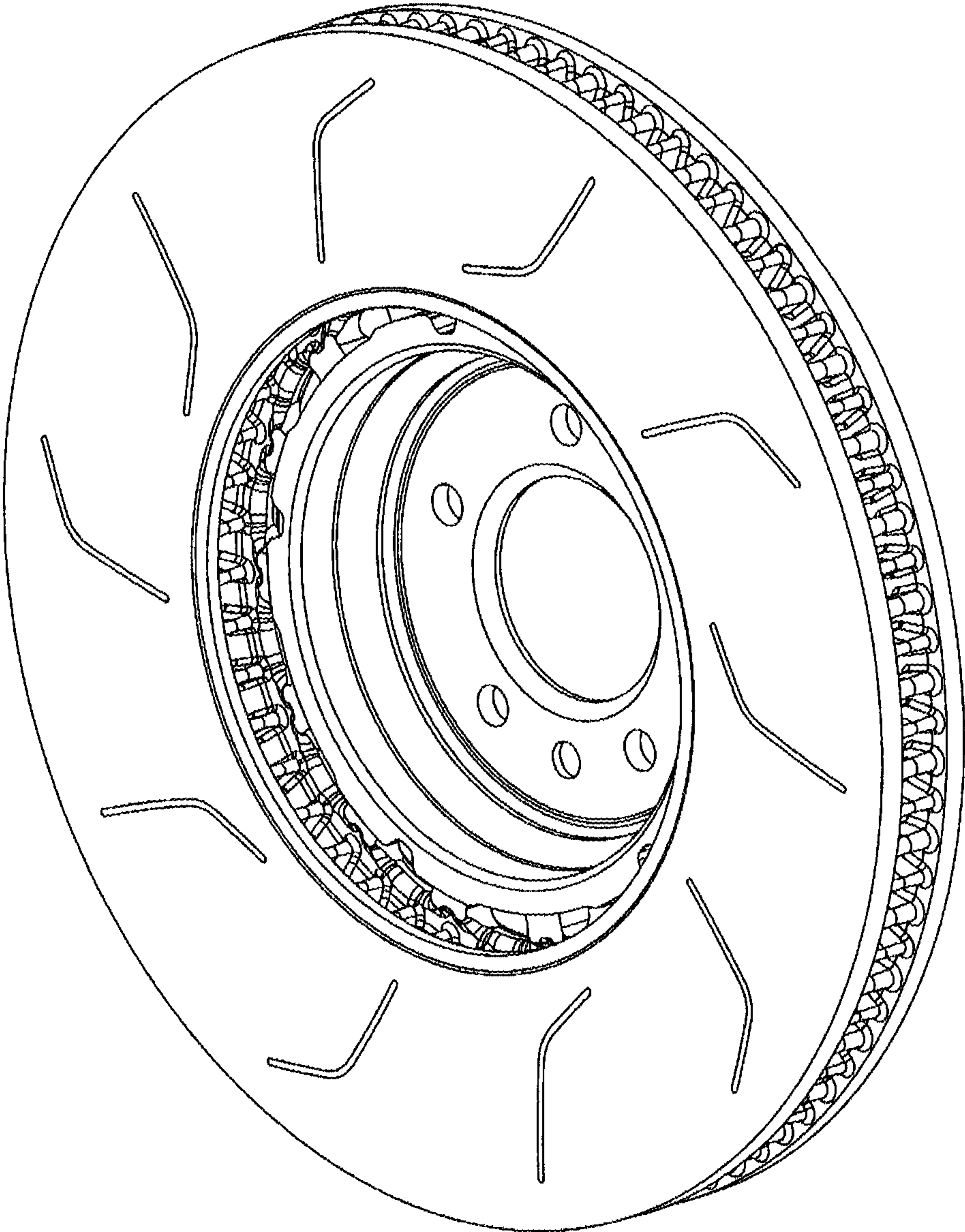


FIG. 3

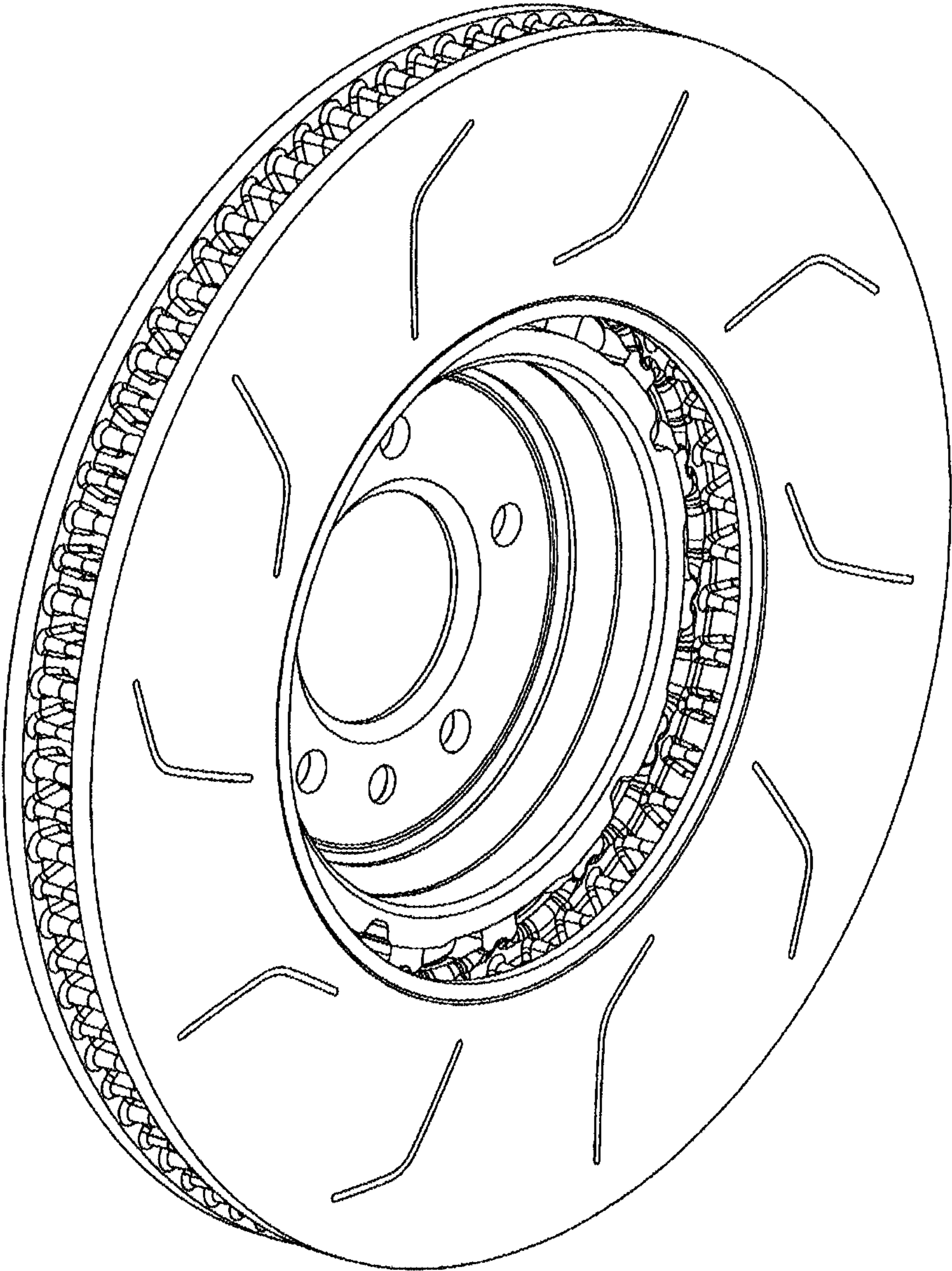


FIG . 4

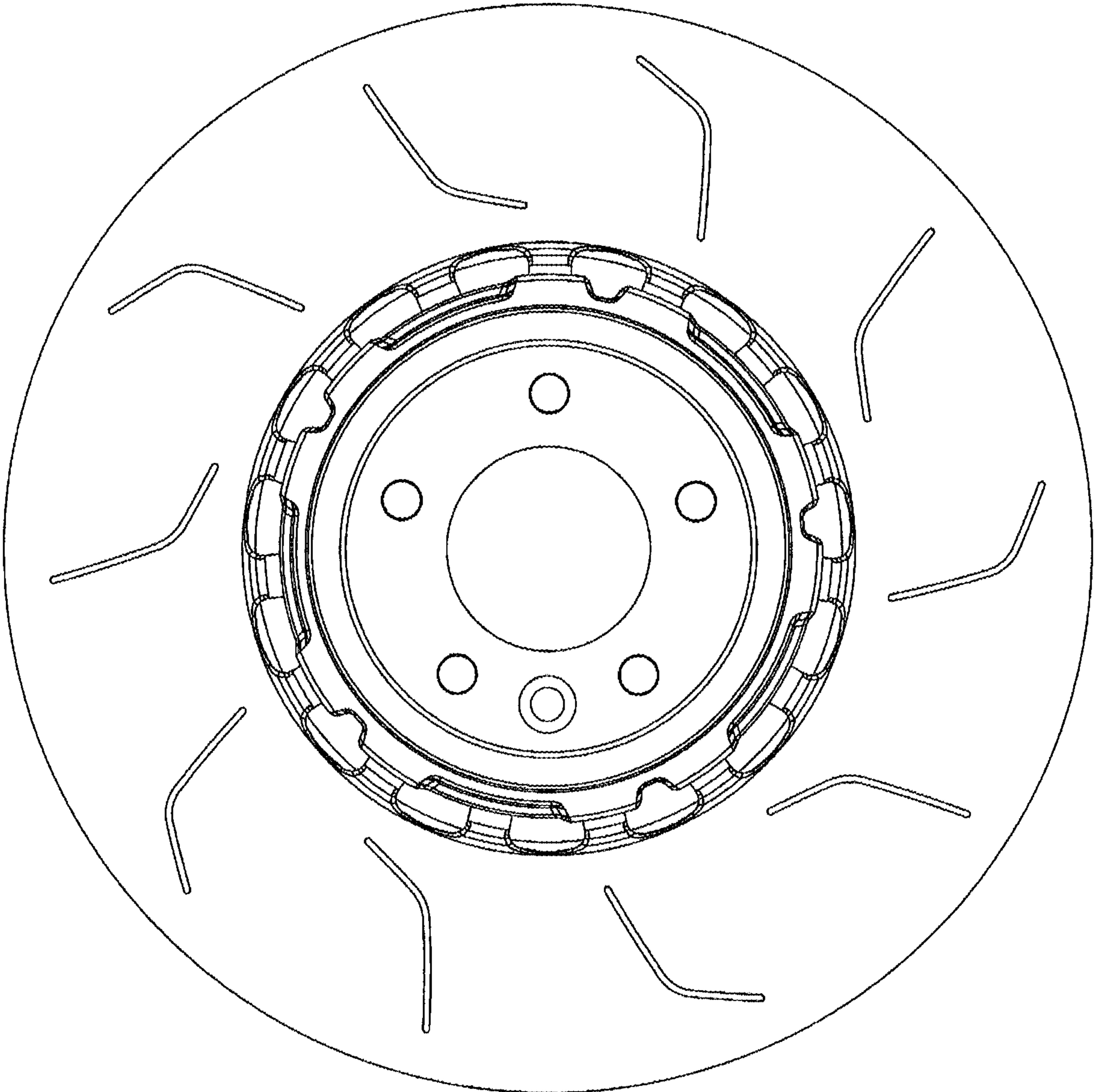


FIG. 5

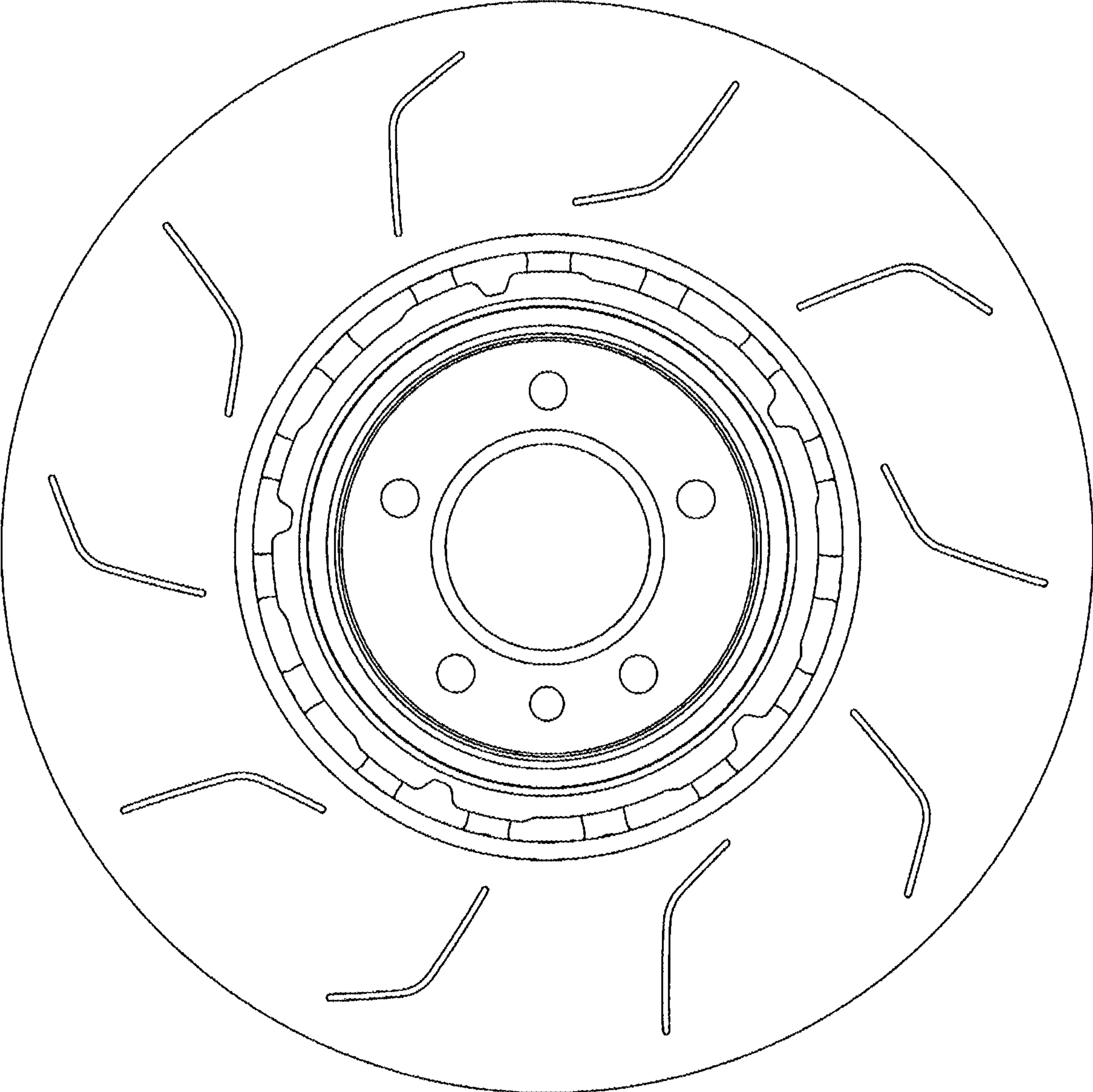


FIG. 6

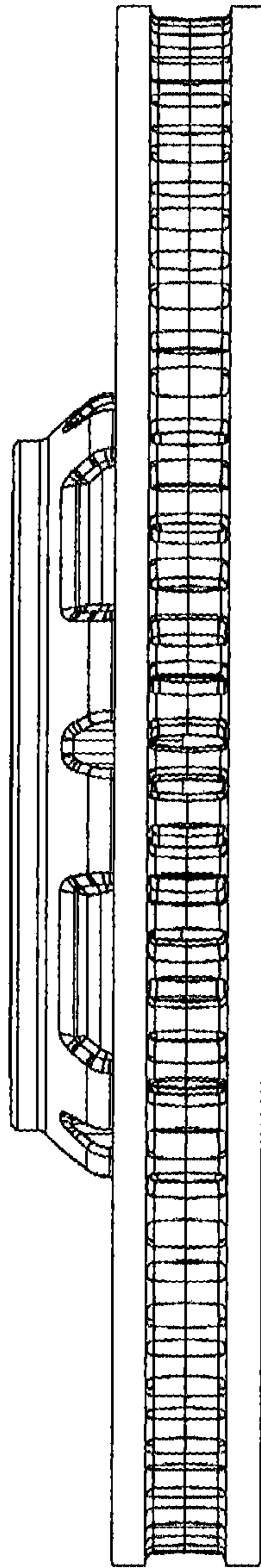


FIG. 7