



US00D924757S

(12) **United States Design Patent** (10) **Patent No.:** **US D924,757 S**
Yu (45) **Date of Patent:** **** Jul. 13, 2021**

(54) **STEERING WHEEL**

(71) Applicant: **HONDA MOTOR CO., LTD.**, Tokyo (JP)

(72) Inventor: **Simon Hon-Sok Yu**, Los Angeles, CA (US)

(73) Assignee: **HONDA MOTOR CO., LTD.**, Tokyo (JP)

(**) Term: **15 Years**

(21) Appl. No.: **29/700,228**

(22) Filed: **Jul. 31, 2019**

(51) **LOC (13) Cl.** **12-16**

(52) **U.S. Cl.**
USPC **D12/176**

(58) **Field of Classification Search**
USPC D12/175, 176; 74/552, 558, 558.5
CPC B60R 21/203; B60R 21/05; B62D 1/04
See application file for complete search history.

(56) **References Cited**

U.S. PATENT DOCUMENTS

D626,478 S *	11/2010	Stephenson	D12/176
D635,900 S *	4/2011	Anzi	D12/176
D640,619 S *	6/2011	Araki	D12/176
D651,542 S *	1/2012	Nagasawa	D12/176
D651,543 S *	1/2012	Ali	D12/176
D653,180 S *	1/2012	Tanaka	D12/176
D692,813 S *	11/2013	Koyama	D12/175
D696,991 S *	1/2014	Bose	D12/176
D696,992 S *	1/2014	Pohanka	D12/176
D706,186 S *	6/2014	Fukaya	D12/176
D706,187 S *	6/2014	Tilscher	D12/176
D709,006 S *	7/2014	Busse	D12/176
D727,226 S *	4/2015	Mayerle	D12/176
D741,759 S *	10/2015	Persson	D12/176
D743,860 S *	11/2015	Nagumo	D12/176

D758,933 S *	6/2016	Owaku	D12/176
D760,134 S *	6/2016	Montousse	D12/176
D772,124 S *	11/2016	Lee	D12/176
D772,769 S *	11/2016	Hamanaga	D12/176
D776,584 S *	1/2017	Meissner	D12/176
D784,871 S *	4/2017	Lee	D12/176
D787,390 S *	5/2017	Kanda	D12/176
D789,261 S *	6/2017	Goedecke	D12/176
D797,020 S *	9/2017	Kazita	D12/176
D801,894 S *	11/2017	Kasano	D12/176
D822,559 S *	7/2018	Boyes	D12/176
D830,255 S *	10/2018	Kawahara	D12/176
D853,291 S *	7/2019	Maurer	D12/176
D853,910 S *	7/2019	Sandys	D12/176
D853,911 S *	7/2019	Miyamoto	D12/176
D878,981 S *	3/2020	Maurer	D12/176

(Continued)

Primary Examiner — Melody N Brown

(74) *Attorney, Agent, or Firm* — Arent Fox LLP

(57) **CLAIM**

The ornamental design for a steering wheel, as shown and described.

DESCRIPTION

FIG. 1 is a right, front perspective view of a steering wheel showing my new design;

FIG. 2 is a left, front perspective view thereof;

FIG. 3 is a left, rear perspective view thereof;

FIG. 4 is a right, rear perspective view thereof;

FIG. 5 is a front elevational view thereof;

FIG. 6 is a rear elevational view thereof;

FIG. 7 is a left side elevational view thereof;

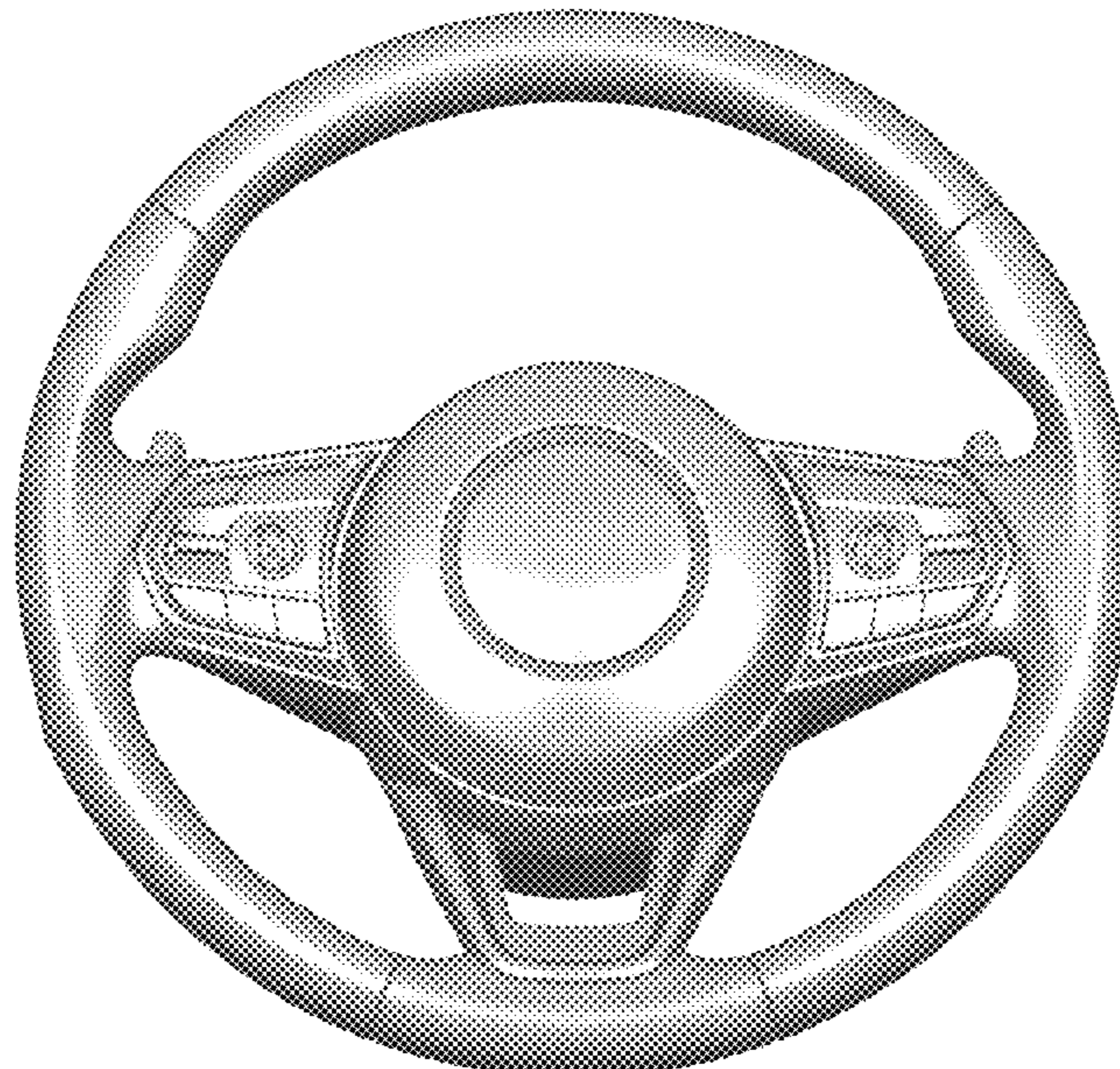
FIG. 8 is a right side elevational view thereof;

FIG. 9 is a top plan view thereof; and,

FIG. 10 is a bottom plan view thereof.

The broken lines shown in the figures are included for the purpose of illustrating portions of the steering wheel and form no part of the claimed design.

1 Claim, 10 Drawing Sheets



(56)

References Cited

U.S. PATENT DOCUMENTS

D881,089 S * 4/2020 Sham D12/176
D910,510 S * 2/2021 Sandys D12/176

* cited by examiner



FIG. 1



FIG. 2



FIG. 3



FIG. 4

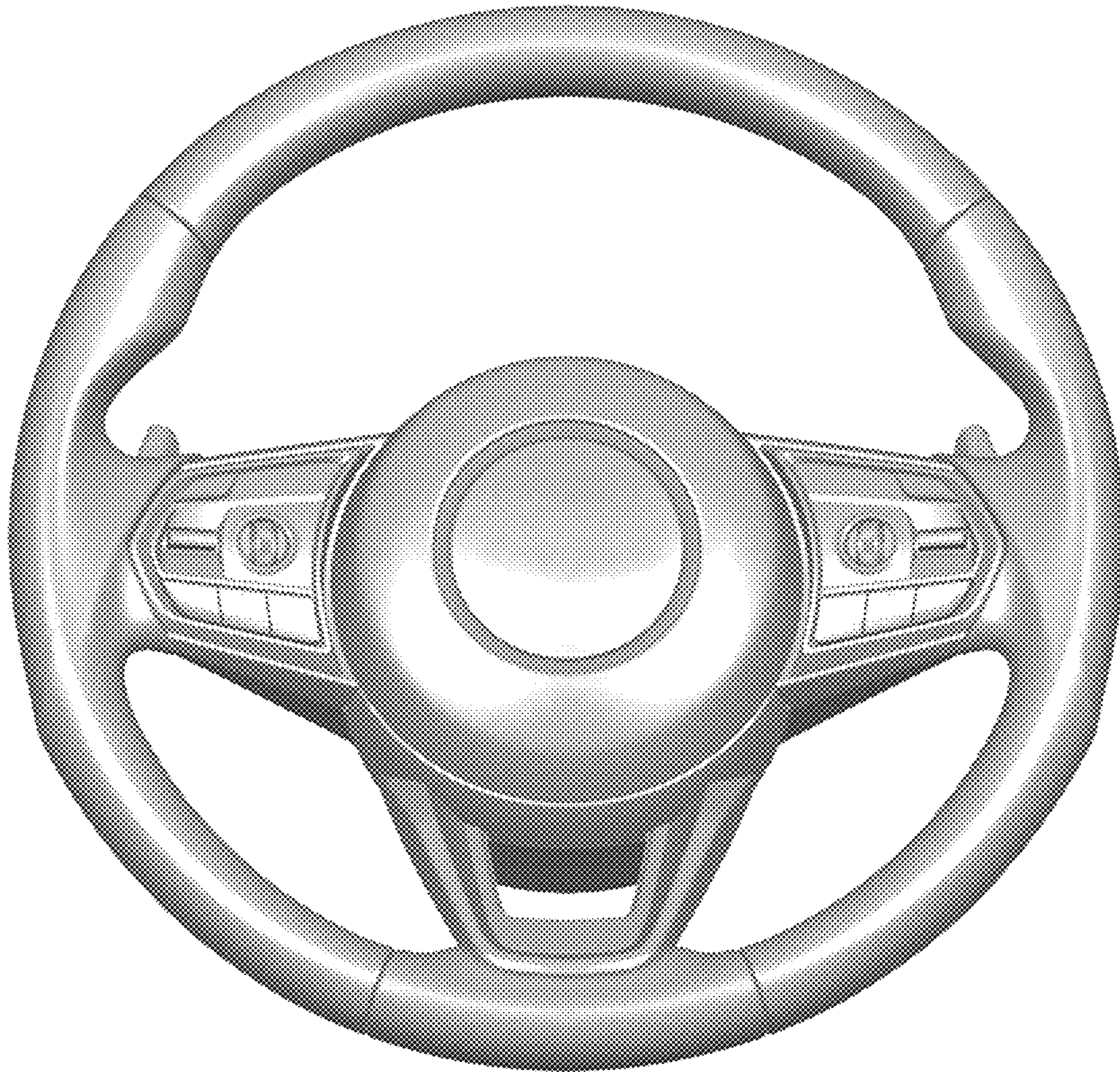


FIG. 5



FIG. 6

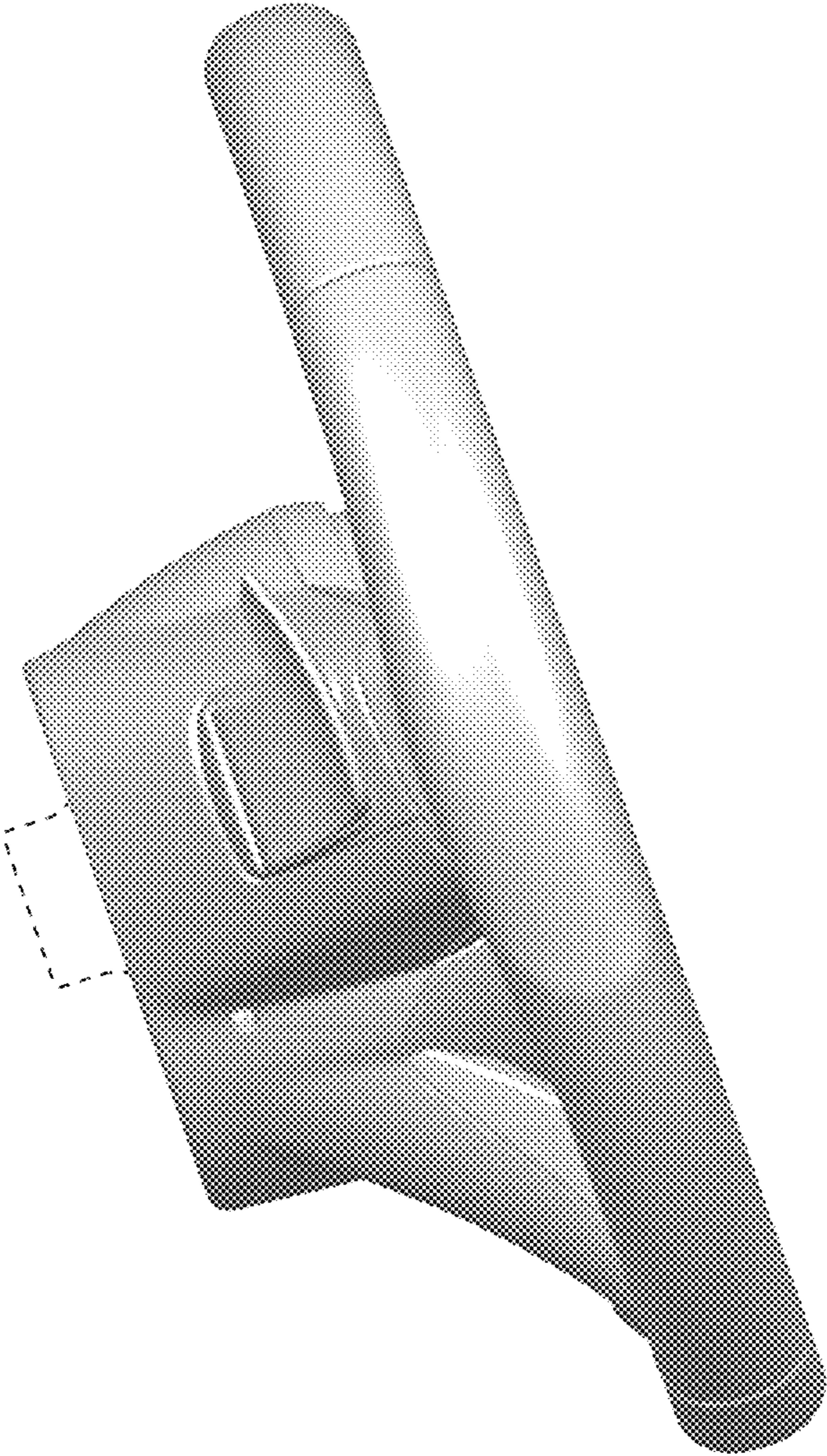


FIG. 7

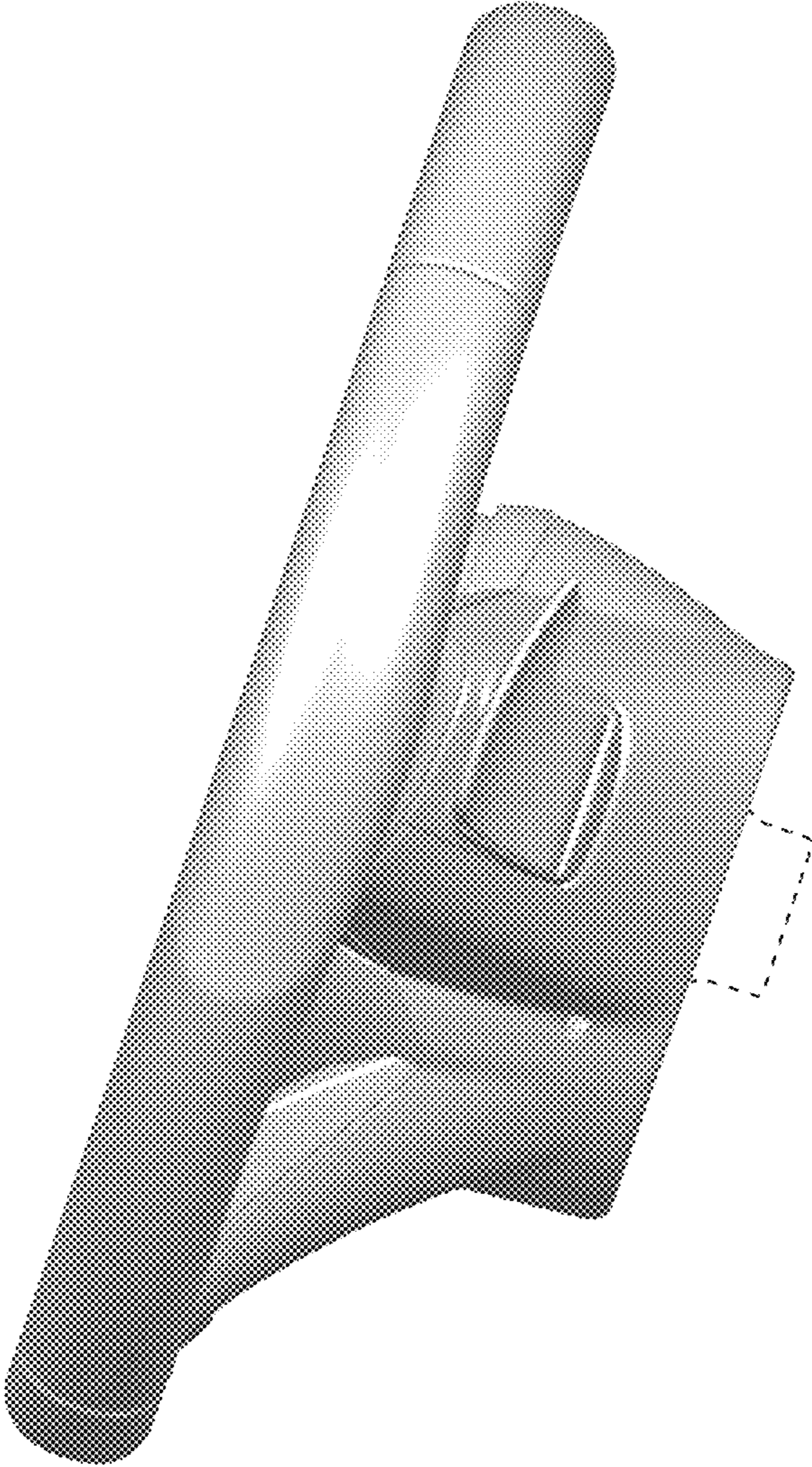


FIG. 8

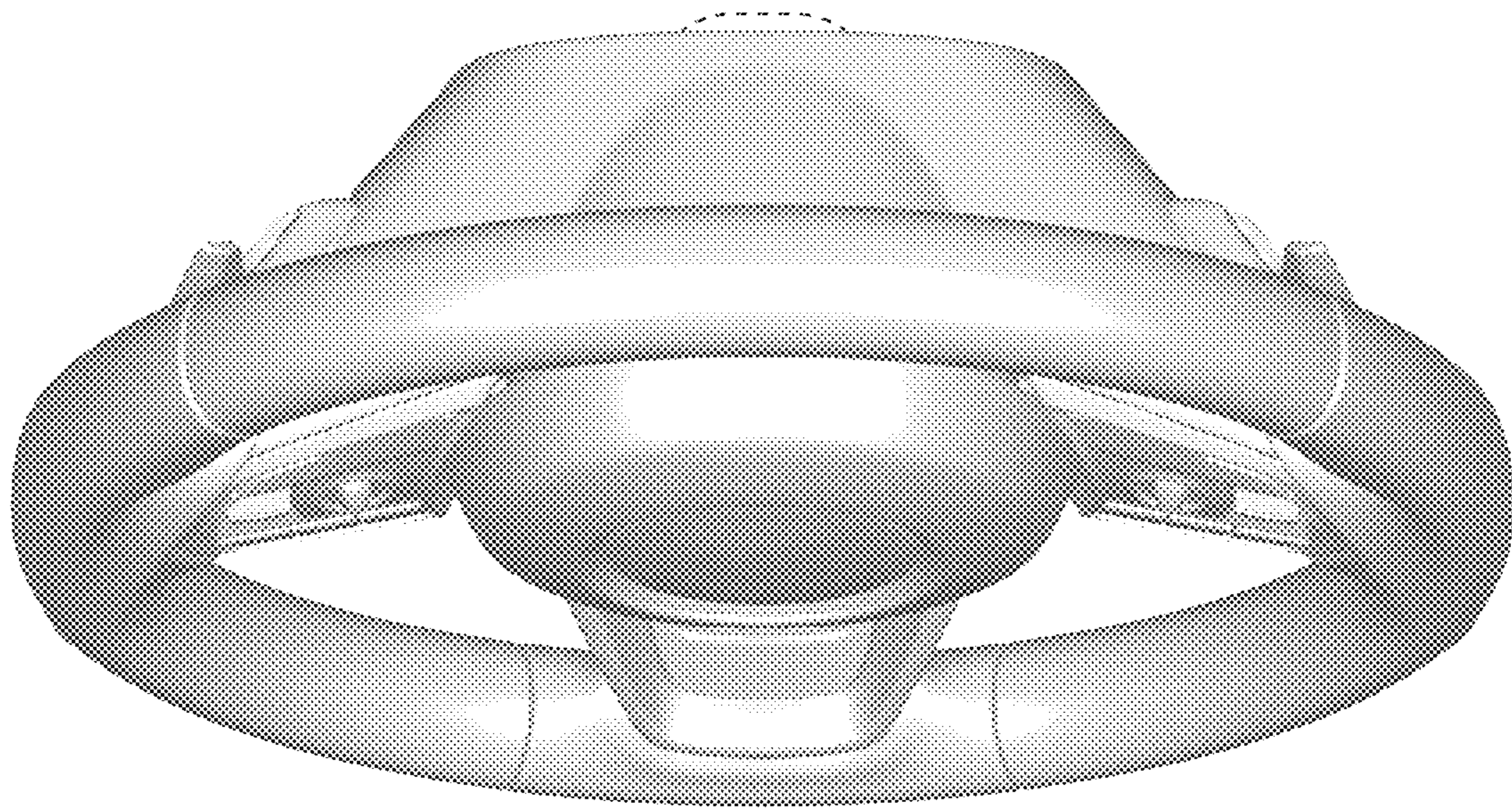


FIG. 9

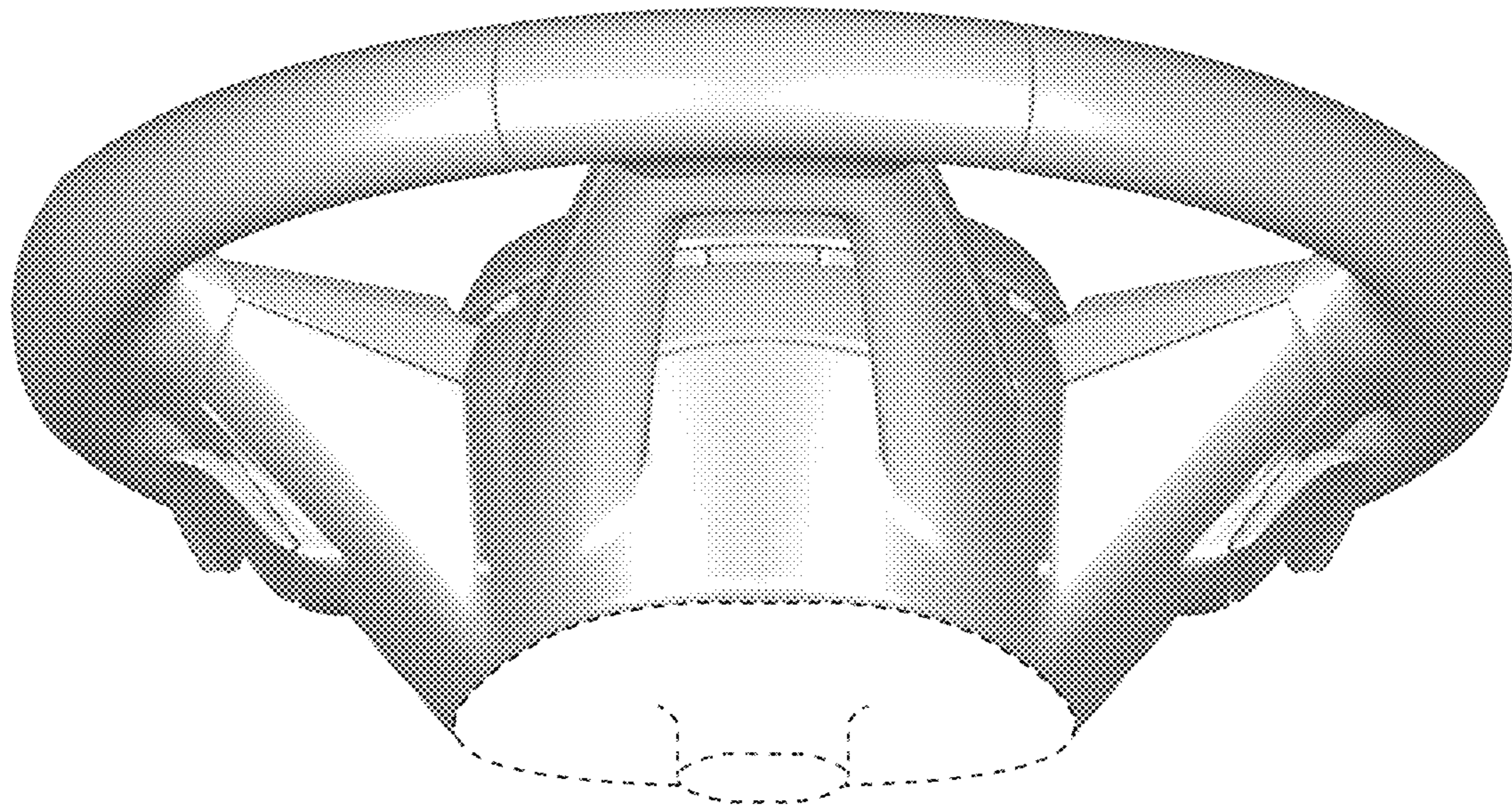


FIG. 10