



US00D924756S

(12) **United States Design Patent** (10) **Patent No.:** **US D924,756 S**  
**Watola et al.** (45) **Date of Patent:** **\*\* Jul. 13, 2021**

(54) **PEDAL COMBINATION FOR VEHICLE**

2009/0025506 A1\* 1/2009 Karpachev ..... B60T 7/06  
 74/513  
 2013/0180356 A1\* 7/2013 Burguera Albizuri ... G05G 1/44  
 74/560  
 2015/0033902 A1\* 2/2015 Tsuguma ..... G05G 1/44  
 74/512

(71) Applicant: **VOLKSWAGEN  
 AKTIENGESELLSCHAFT,  
 Wolfsburg (DE)**

(72) Inventors: **Darius Watola, Wolfsburg (DE);  
 Henning Thiele, Wolfsburg (DE)**

(73) Assignee: **VOLKSWAGEN  
 AKTIENGESELLSCHAFT,  
 Wolfsburg (DE)**

**FOREIGN PATENT DOCUMENTS**

EM 003832344 4/2017  
 TR 102233-0003 \* 9/2018  
 WO WO D102233-003 \* 8/2018

(\*\*) Term: **15 Years**

(21) Appl. No.: **29/663,124**

(22) Filed: **Sep. 12, 2018**

(30) **Foreign Application Priority Data**

Mar. 13, 2018 (DE) ..... 40 2018 100 277.1

(51) **LOC (13) Cl.** ..... **12-16**

(52) **U.S. Cl.**  
 USPC ..... **D12/174**

(58) **Field of Classification Search**  
 USPC ..... D12/125, 174, 190  
 CPC ..... A47G 27/0206; G05G 1/30; G05G 1/483  
 See application file for complete search history.

(56) **References Cited**

**U.S. PATENT DOCUMENTS**

D316,697 S \* 5/1991 Beiser ..... D12/125  
 D393,298 S \* 4/1998 Kuo ..... D12/122  
 6,564,672 B2 \* 5/2003 Brock ..... G05G 1/36  
 74/512  
 10,005,436 B2 \* 6/2018 Kim ..... G05G 1/32

**OTHER PUBLICATIONS**  
 World OEM Parts website, Pedal Caps, Aluminum Volkswagen,  
 Publication date unknown, [site visited Sep. 14, 2020], Available on  
 the Internet URL <https://volkswagen.worldoemparts.com/oem-parts/volkswagen-pedal-caps-aluminum-5g1064205> (Year: 2020).\*

\* cited by examiner

*Primary Examiner* — Karen S Acker  
*Assistant Examiner* — Steven B Reinholdt, Jr.

(74) *Attorney, Agent, or Firm* — Lucas & Mercanti, LLP;  
 Klaus P. Stoffel

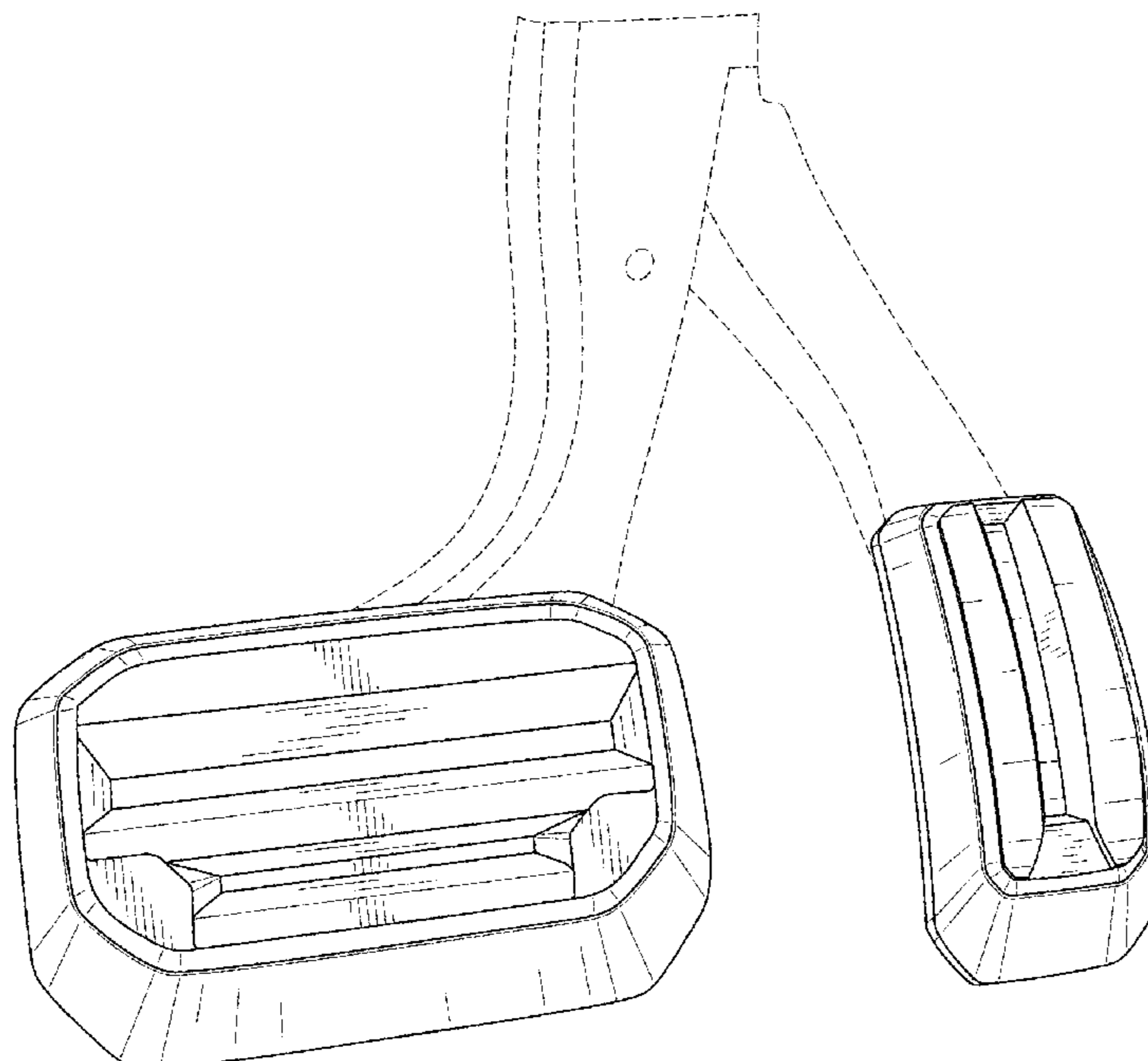
(57) **CLAIM**

The ornamental design for a pedal combination for vehicle, as shown and described.

**DESCRIPTION**

FIG. 1 is a front view of pedal combination for vehicle showing our new design; and,  
 FIG. 2 is a front, perspective view thereof.  
 The features shown in uniform broken lines are portions of the pedal combination for vehicle that form no part of the claimed design.

**1 Claim, 2 Drawing Sheets**



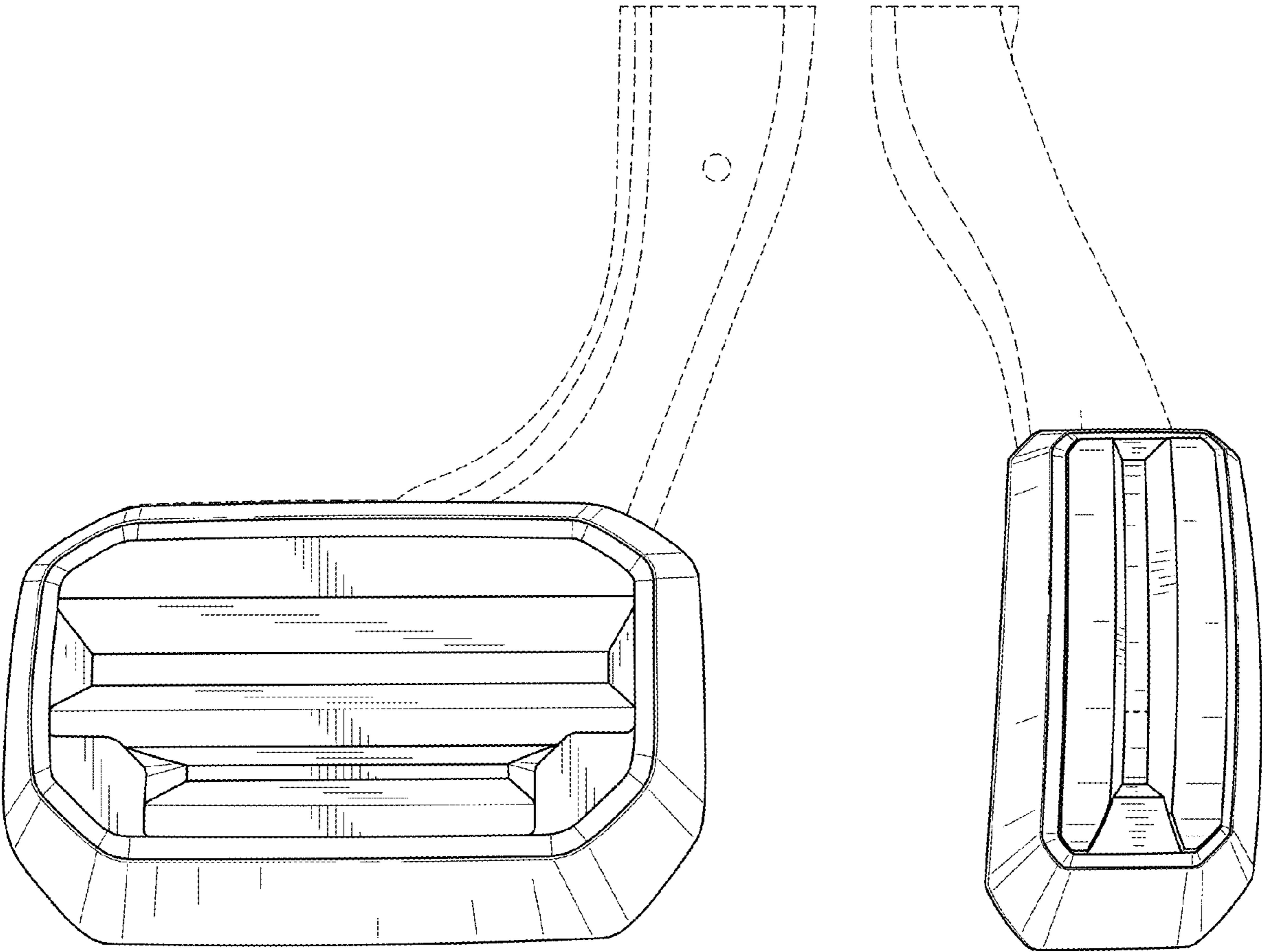


FIG. 1

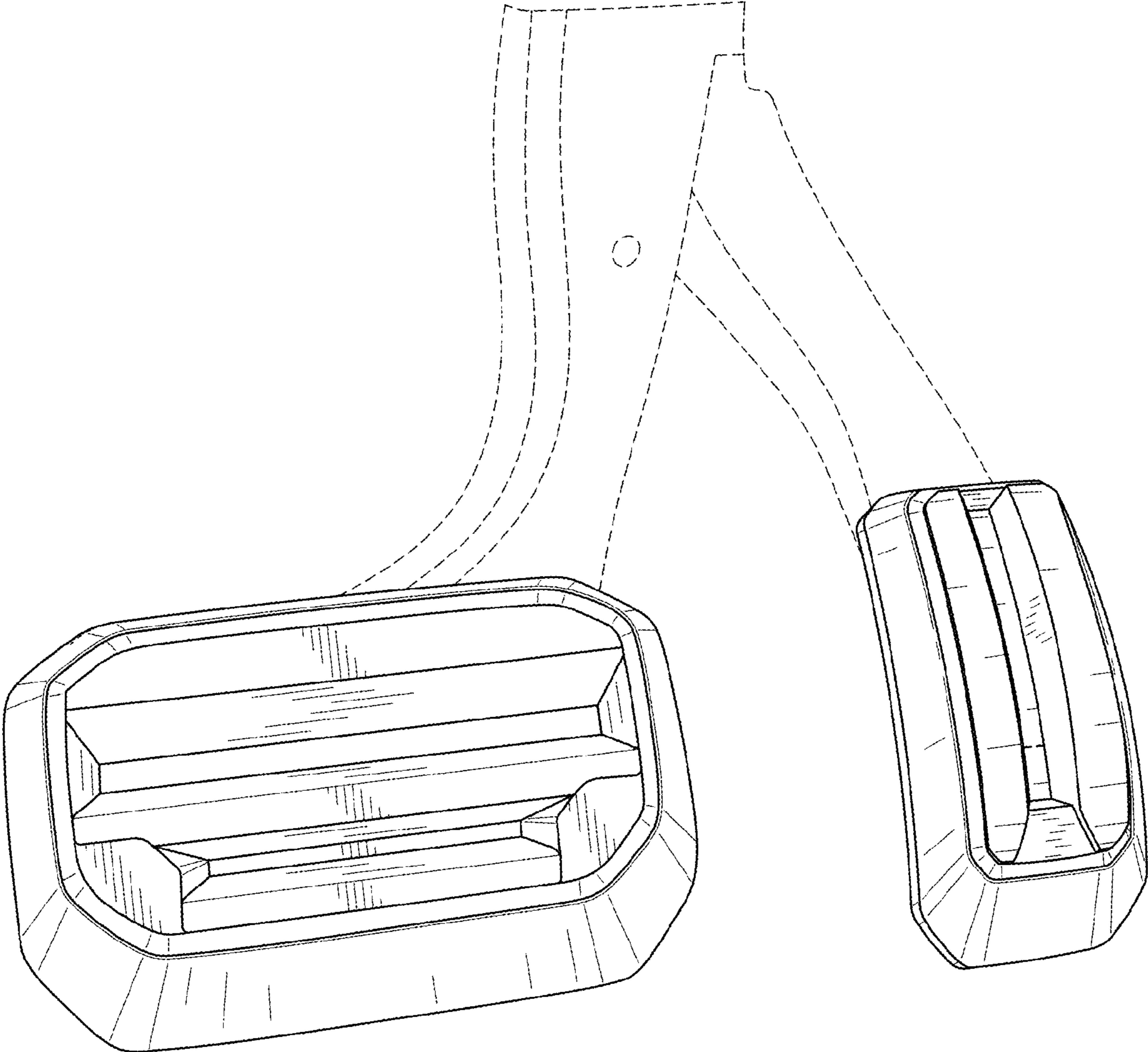


FIG. 2