



US00D924738S

(12) **United States Design Patent**
Bussetti

(10) **Patent No.:** **US D924,738 S**
(45) **Date of Patent:** **** Jul. 13, 2021**

(54) **VEHICLE FOR TRANSPORTING PERSONS ON WHEELCHAIRS**

(71) Applicant: **ITALDESIGN-GIUGIARO S.P.A.**,
Turin (IT)

(72) Inventor: **Nicolas Bussetti**, Moncalieri (IT)

(73) Assignee: **ITALDESIGN-GIUGIARO S.P.A.**,
Turin (IT)

(**) Term: **15 Years**

(21) Appl. No.: **29/709,676**

(22) Filed: **Oct. 16, 2019**

(30) **Foreign Application Priority Data**

Oct. 4, 2019 (EM) 006974366

(51) **LOC (13) Cl.** **12-12**

(52) **U.S. Cl.**

USPC **D12/131**

(58) **Field of Classification Search**

USPC D12/129-133

CPC A61G 5/00-14

See application file for complete search history.

(56) **References Cited**

U.S. PATENT DOCUMENTS

D305,318 S * 1/1990 Danecker D12/131
D730,250 S * 5/2015 Lodato D12/128

D770,331 S * 11/2016 Gabriely D12/131
D788,652 S * 6/2017 Mutsuro D12/131
D824,292 S * 7/2018 Surbeck D12/131
D861,544 S * 10/2019 January D12/130
D887,311 S * 6/2020 Wu D12/131
D891,995 S * 8/2020 Campbell D12/131

* cited by examiner

Primary Examiner — Charles D Hanson

(74) *Attorney, Agent, or Firm* — Merchant & Gould P.C.

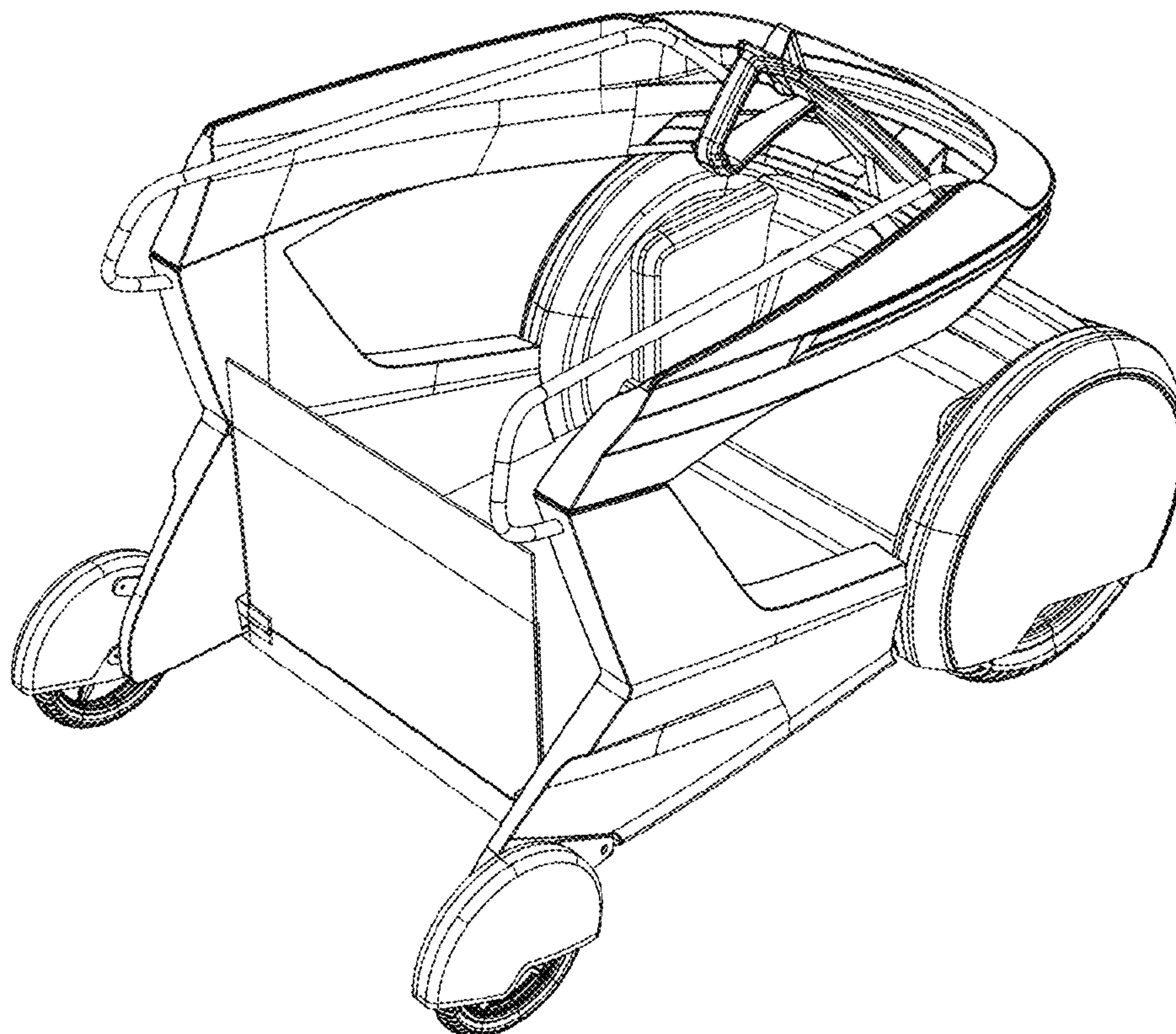
(57) **CLAIM**

The ornamental design for a vehicle for transporting persons on wheelchairs, as shown and described.

DESCRIPTION

FIG. 1 is a rear perspective view of a vehicle for transporting persons on wheelchairs;
FIG. 2 is a front perspective view thereof;
FIG. 3 is a front elevational view thereof;
FIG. 4 is a rear elevational view thereof;
FIG. 5 is a left side view thereof;
FIG. 6 is a right side view thereof;
FIG. 7 is a top view thereof; and,
FIG. 8 is a bottom view thereof.

1 Claim, 8 Drawing Sheets



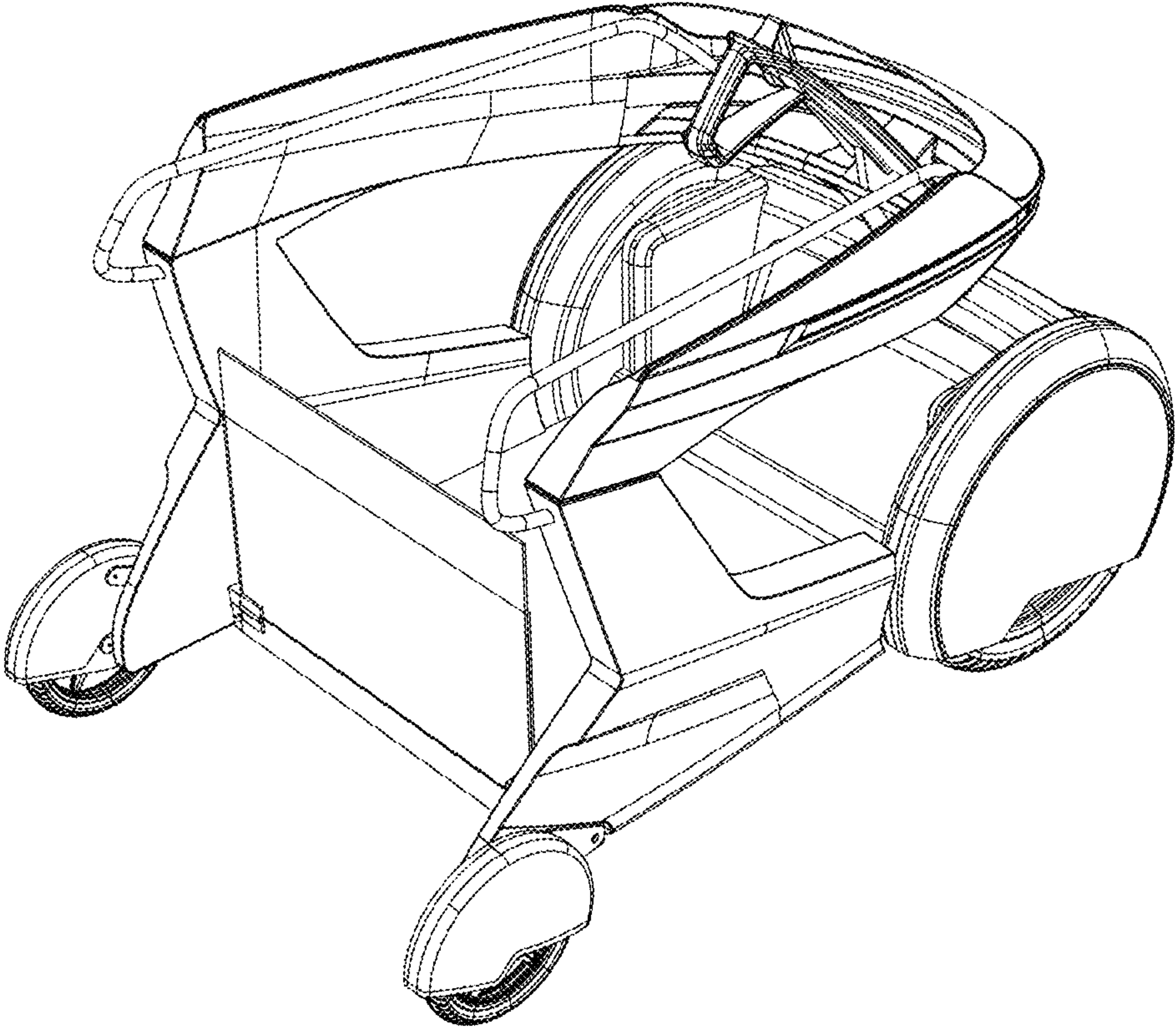


FIG. 1

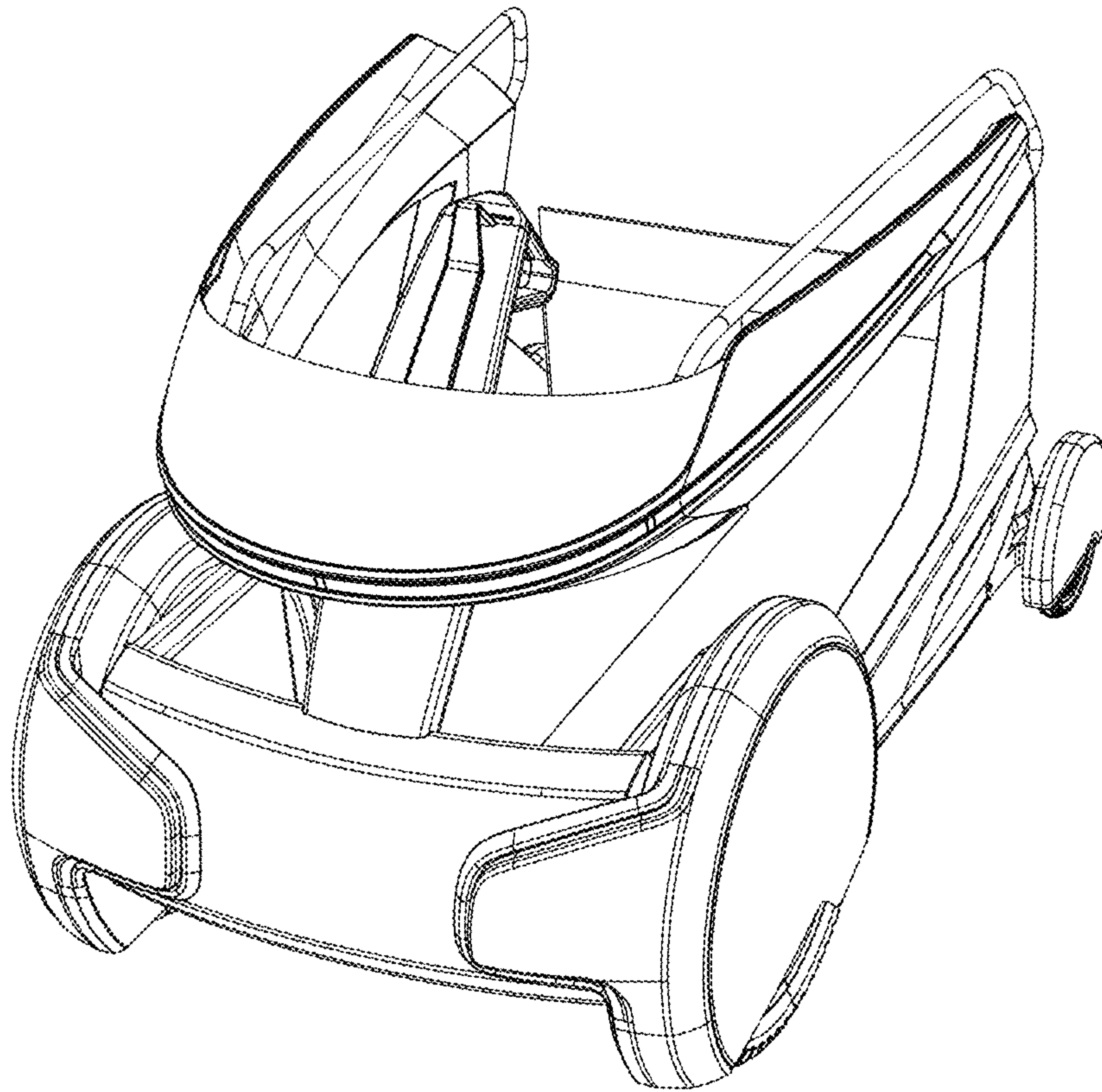


FIG. 2

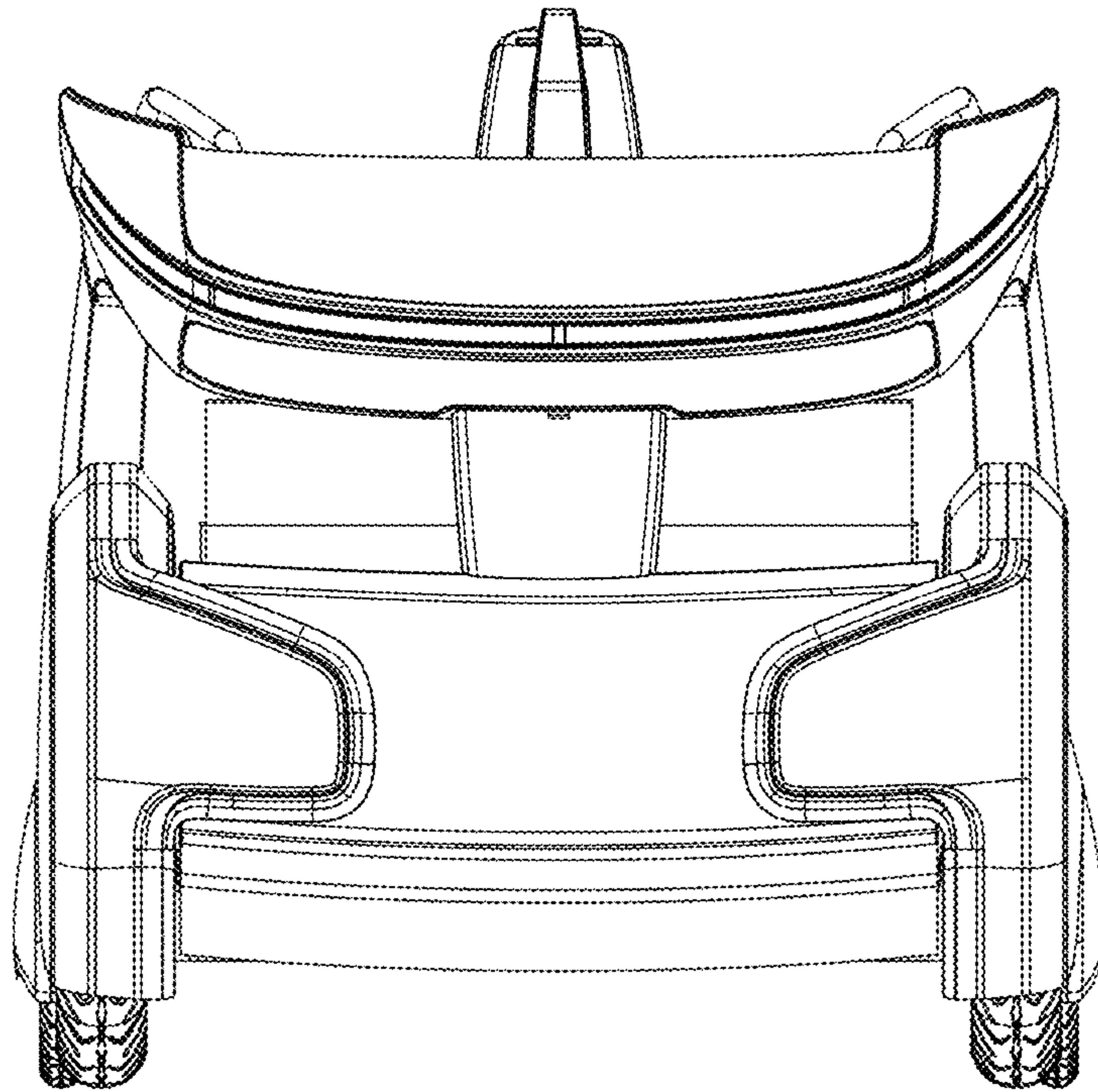


FIG. 3

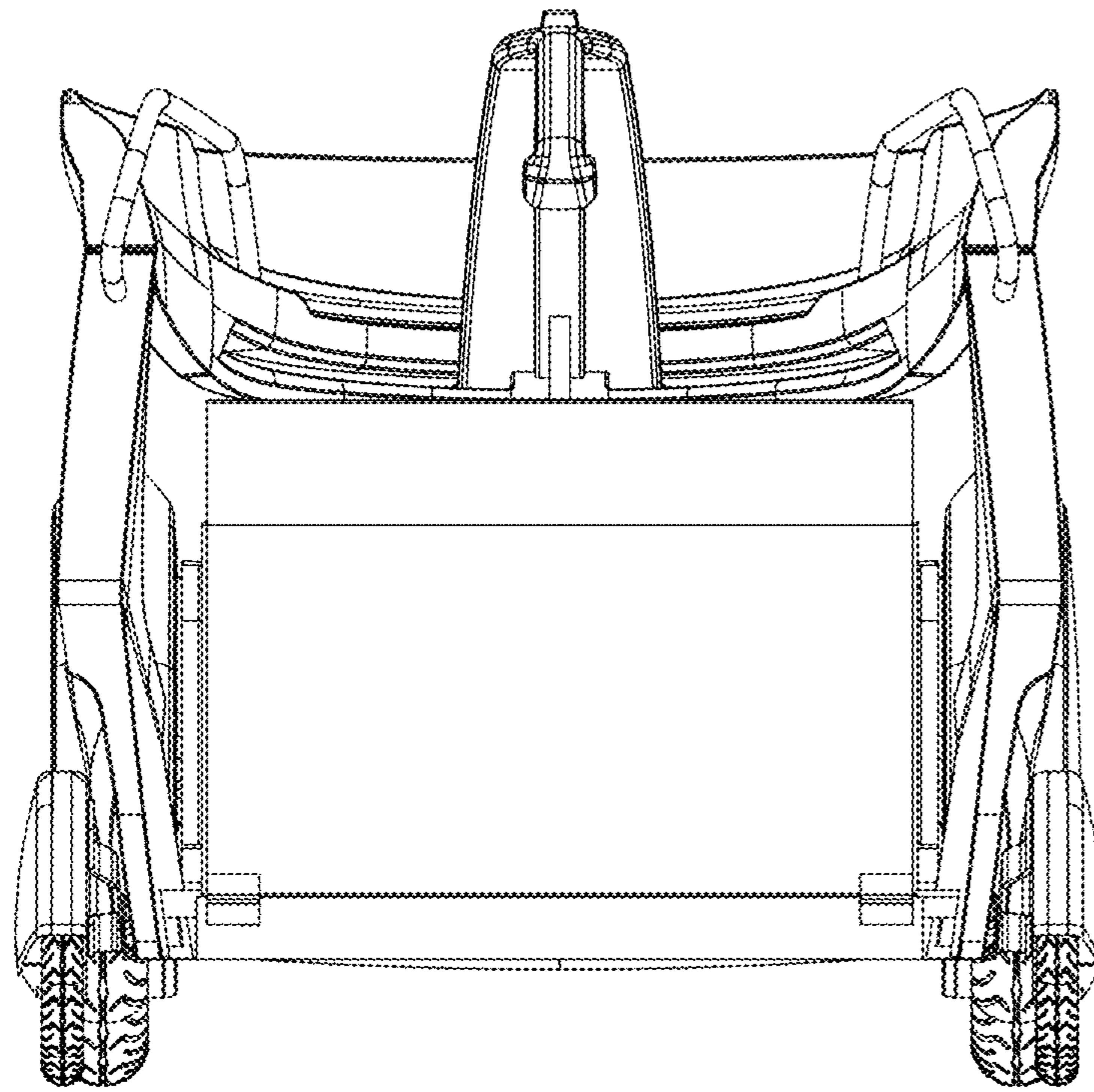


FIG. 4

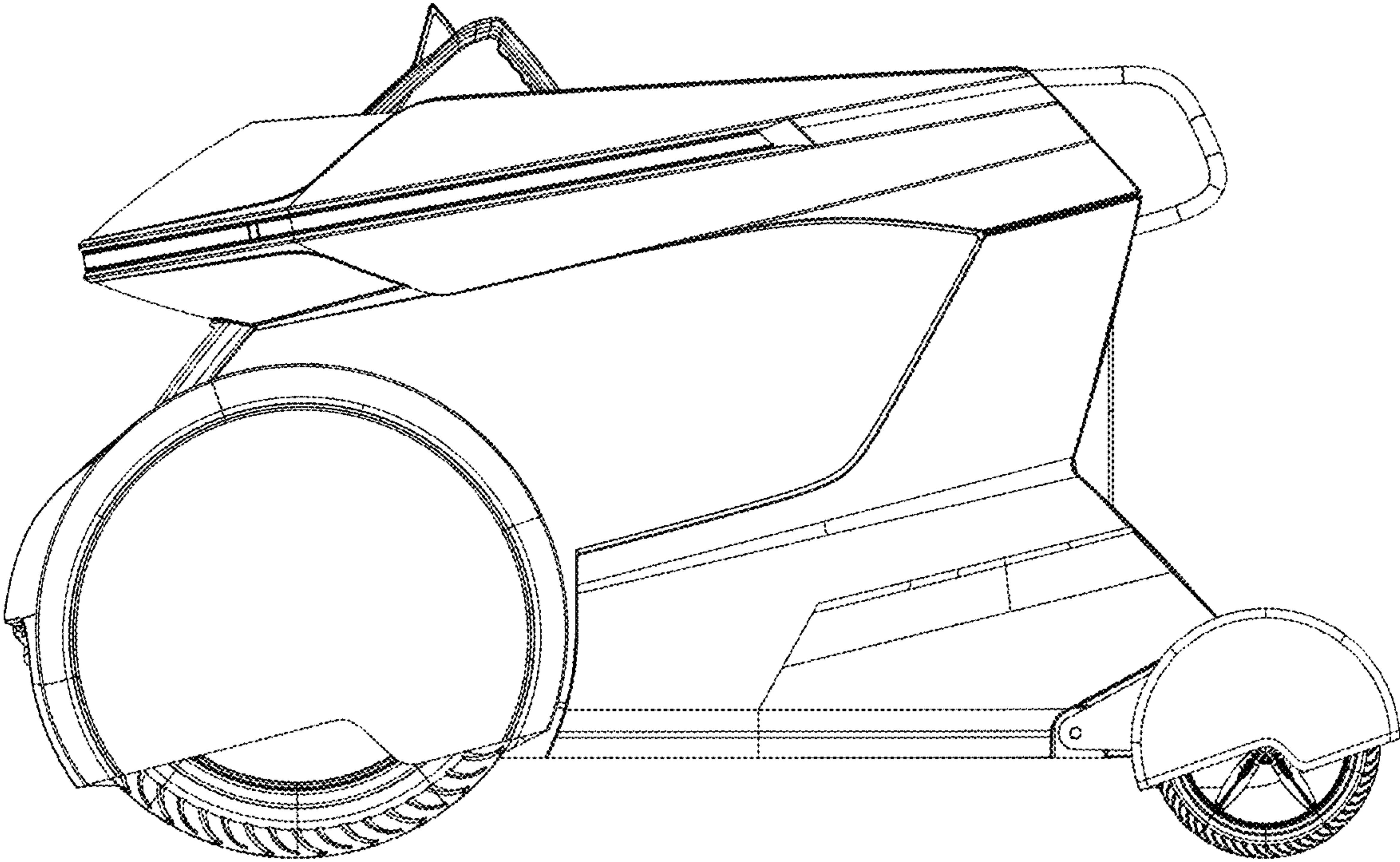


FIG. 5

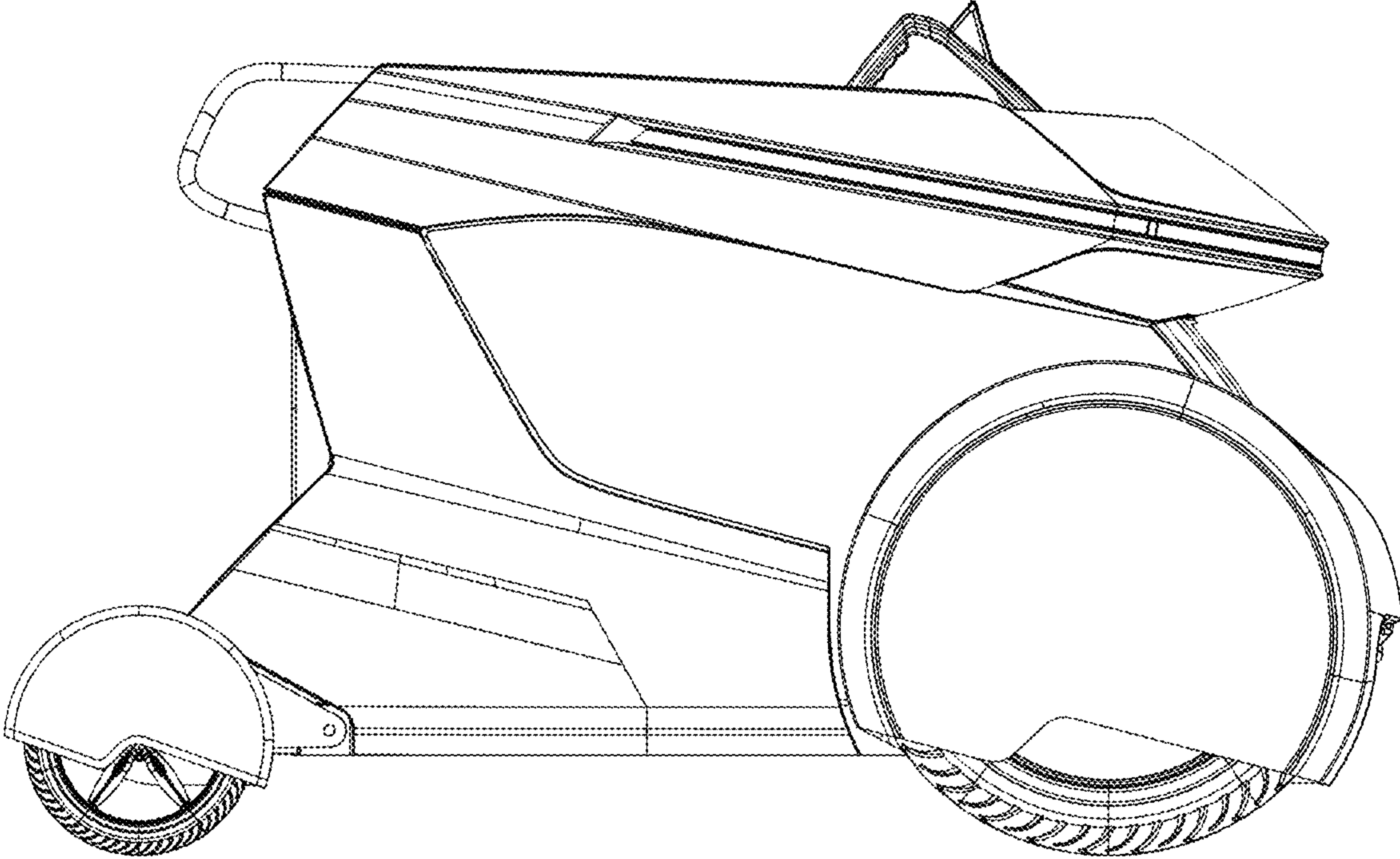


FIG. 6

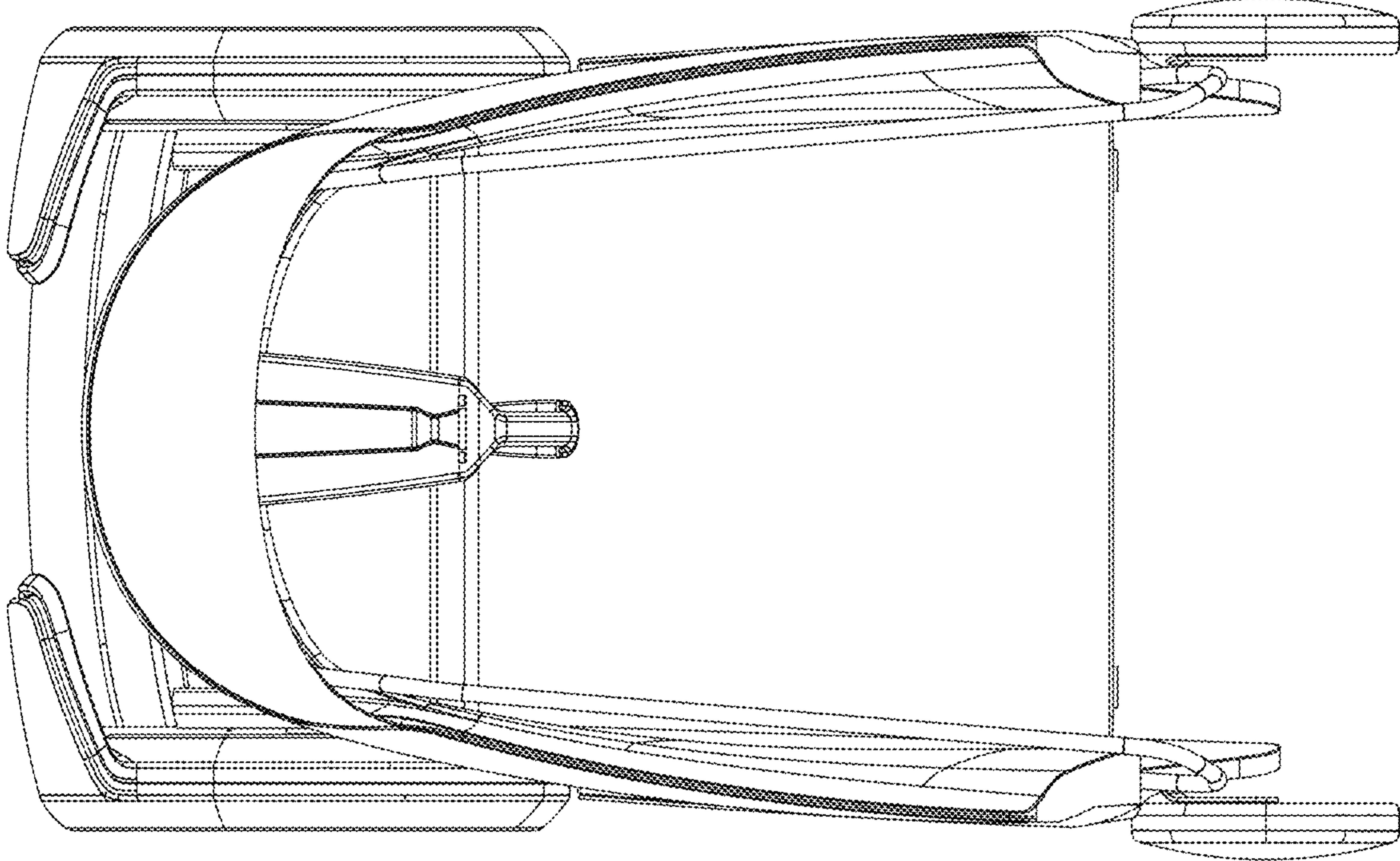


FIG. 7

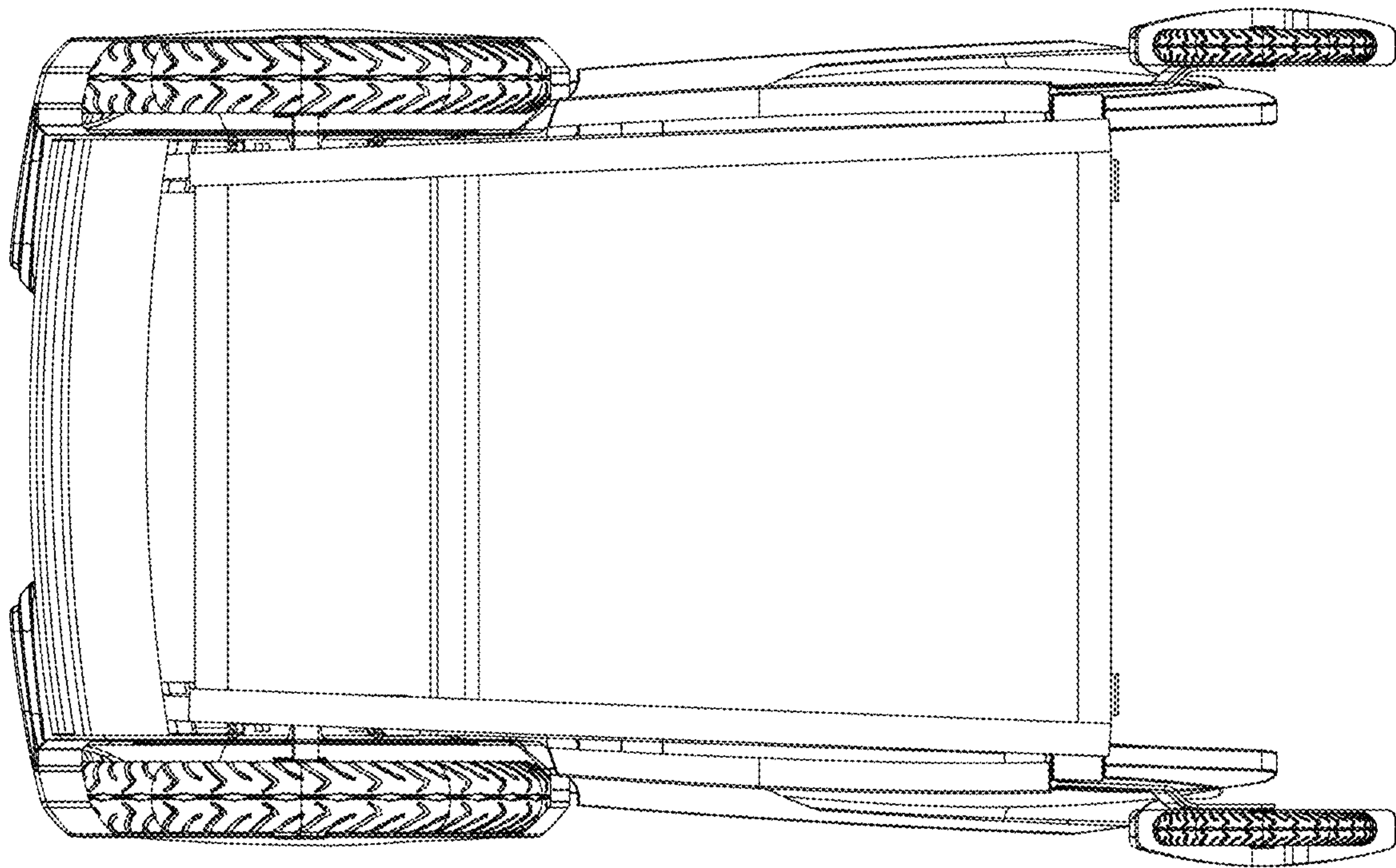


FIG. 8