



US00D924737S

(12) **United States Design Patent**
Huntley et al.

(10) **Patent No.:** **US D924,737 S**
(45) **Date of Patent:** **** Jul. 13, 2021**

(54) **STROLLER**

(71) Applicant: **Wonderland Switzerland AG,**
Steinhausen (CH)

(72) Inventors: **John Huntley**, Philadelphia, PA (US);
Andrew J. Horst, West Lawn, PA
(US); **Andrew Ma**, Exton, PA (US)

(73) Assignee: **WONDERLAND SWITZERLAND**
AG, Steinhausen (CH)

(**) Term: **15 Years**

(21) Appl. No.: **29/742,068**

(22) Filed: **Nov. 13, 2019**

(30) **Foreign Application Priority Data**

May 14, 2019 (CN) 201930232983.5

(51) **LOC (13) Cl.** **12-12**

(52) **U.S. Cl.**
USPC **D12/129**

(58) **Field of Classification Search**
USPC D12/129-133
CPC B62B 7/00-04; B62B 9/00-28
See application file for complete search history.

(56) **References Cited**

U.S. PATENT DOCUMENTS

D769,158 S * 10/2016 Ruggiero D12/129
D772,111 S * 11/2016 Jane Santamaria D12/129
D815,567 S * 4/2018 Oakes D12/129
D833,918 S * 11/2018 Gopaul D12/129
D840,280 S * 2/2019 Zhou D12/129

D853,892 S * 7/2019 Hu D12/129
D854,460 S * 7/2019 Hu D12/129
D870,603 S * 12/2019 Haut D12/133
D874,987 S * 2/2020 Baker D12/129
D875,618 S * 2/2020 Hauser D12/129
D889,323 S * 7/2020 Reinius D12/129
D896,133 S * 9/2020 Zhou D12/129
D906,900 S * 1/2021 Walker D12/129
D915,247 S * 4/2021 Haley D12/129

* cited by examiner

Primary Examiner — Charles D Hanson

(74) *Attorney, Agent, or Firm* — Bacon & Thomas, PLLC

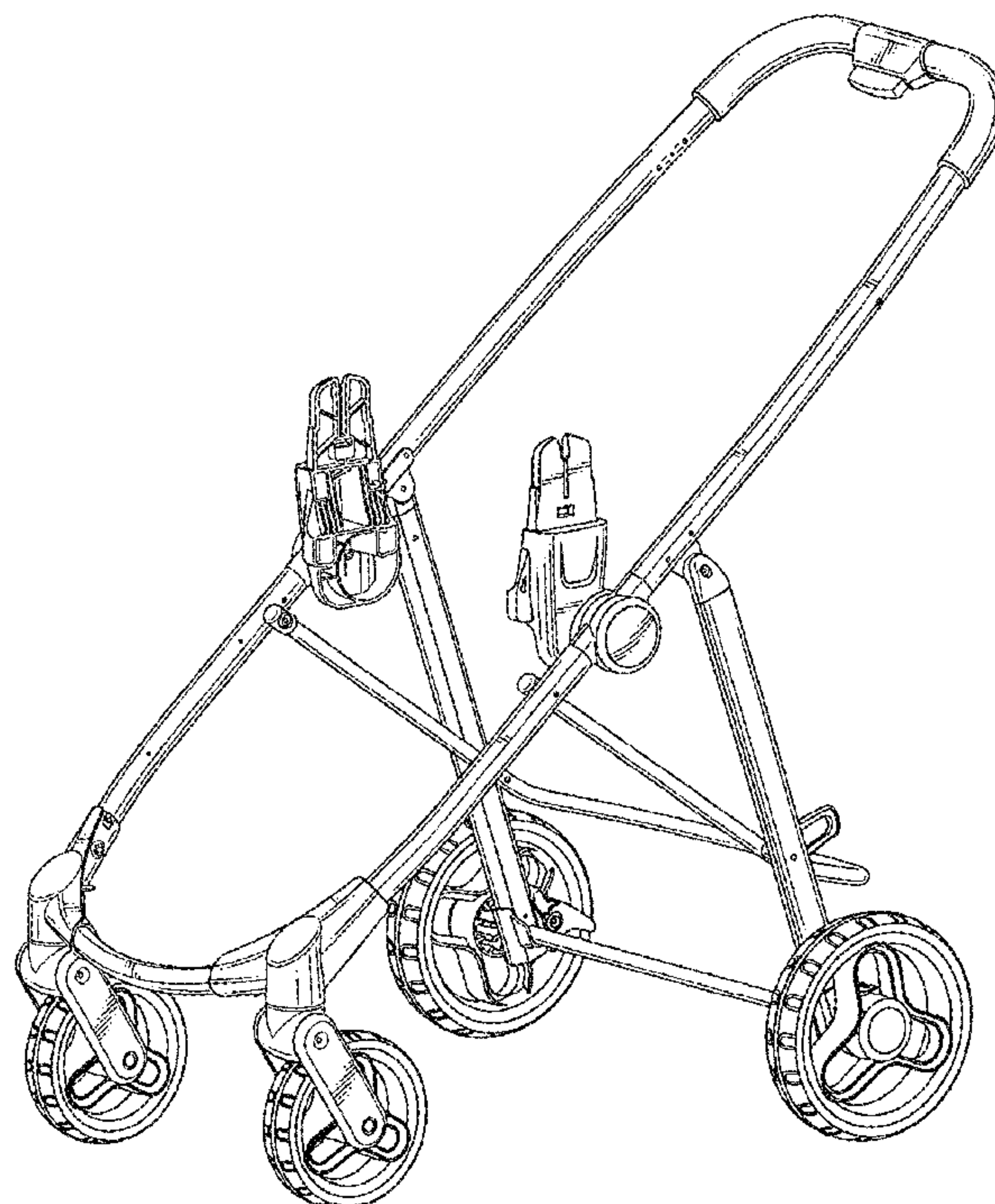
(57) **CLAIM**

The ornamental design for a stroller, as shown and described.

DESCRIPTION

FIG. 1 is a perspective view of a stroller in accordance with a first embodiment of our new design;
FIG. 2 is a front view of FIG. 1;
FIG. 3 is a rear view of FIG. 1;
FIG. 4 is a left side view of FIG. 1;
FIG. 5 is a right side view of FIG. 1;
FIG. 6 is a top view of FIG. 1;
FIG. 7 is a bottom view of FIG. 1.
FIG. 8 is a perspective view of a stroller in accordance with a second embodiment of our new design;
FIG. 9 is a front view of FIG. 8;
FIG. 10 is a rear view of FIG. 8;
FIG. 11 is a left side view of FIG. 8;
FIG. 12 is a right side view of FIG. 8;
FIG. 13 is a top view of FIG. 8; and,
FIG. 14 is a bottom view of FIG. 8.

1 Claim, 14 Drawing Sheets



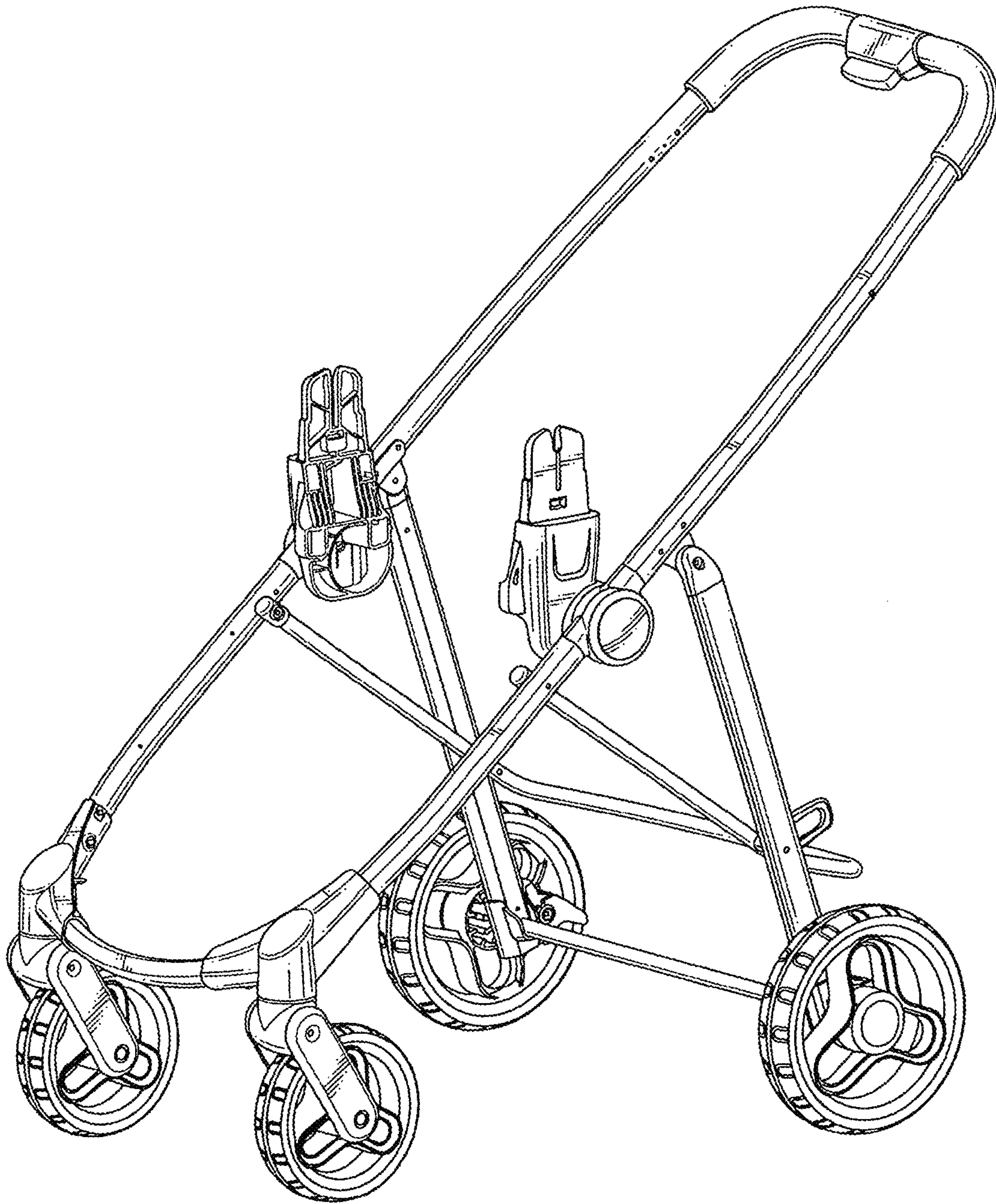


FIG. 1

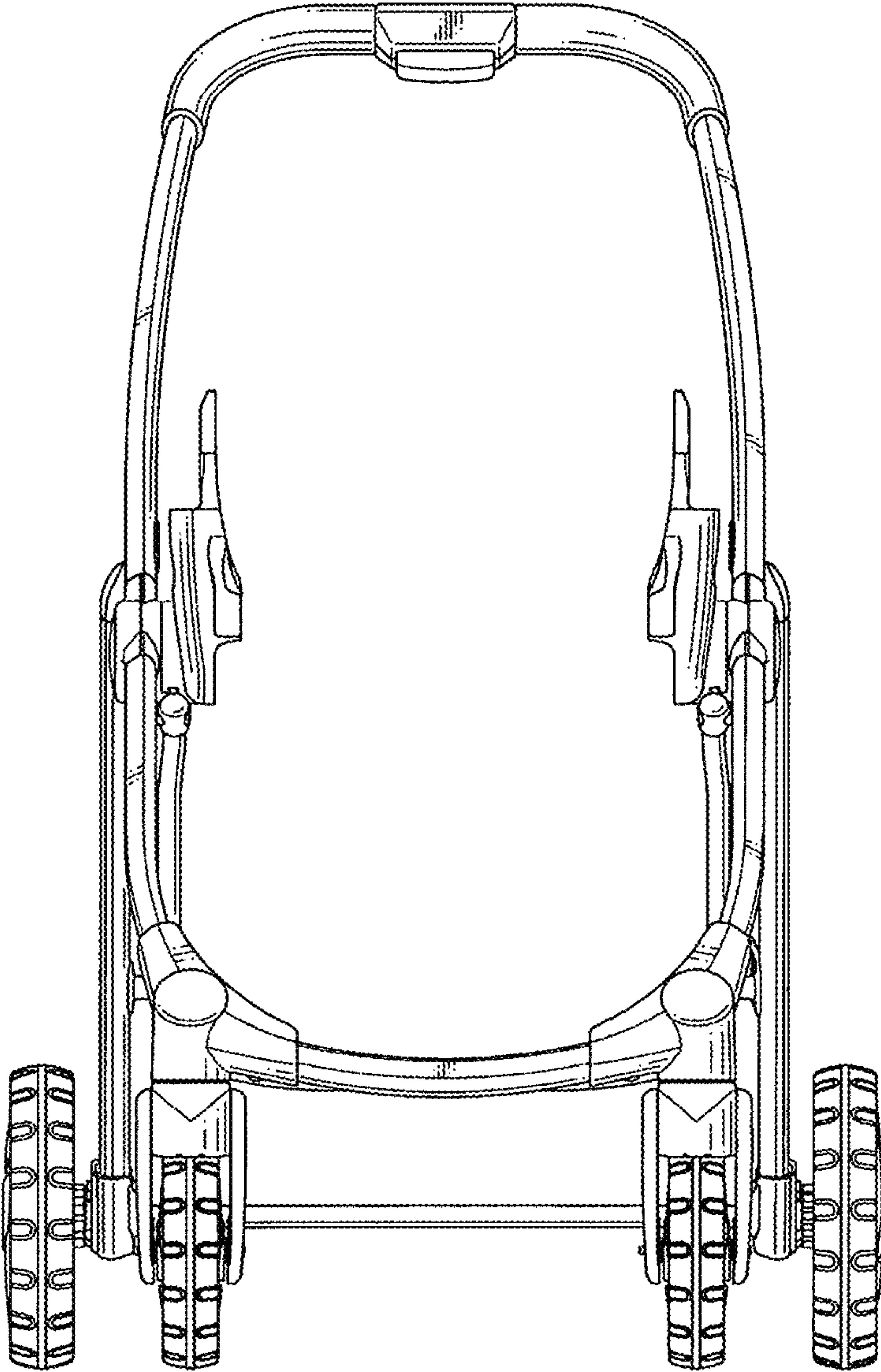


FIG. 2

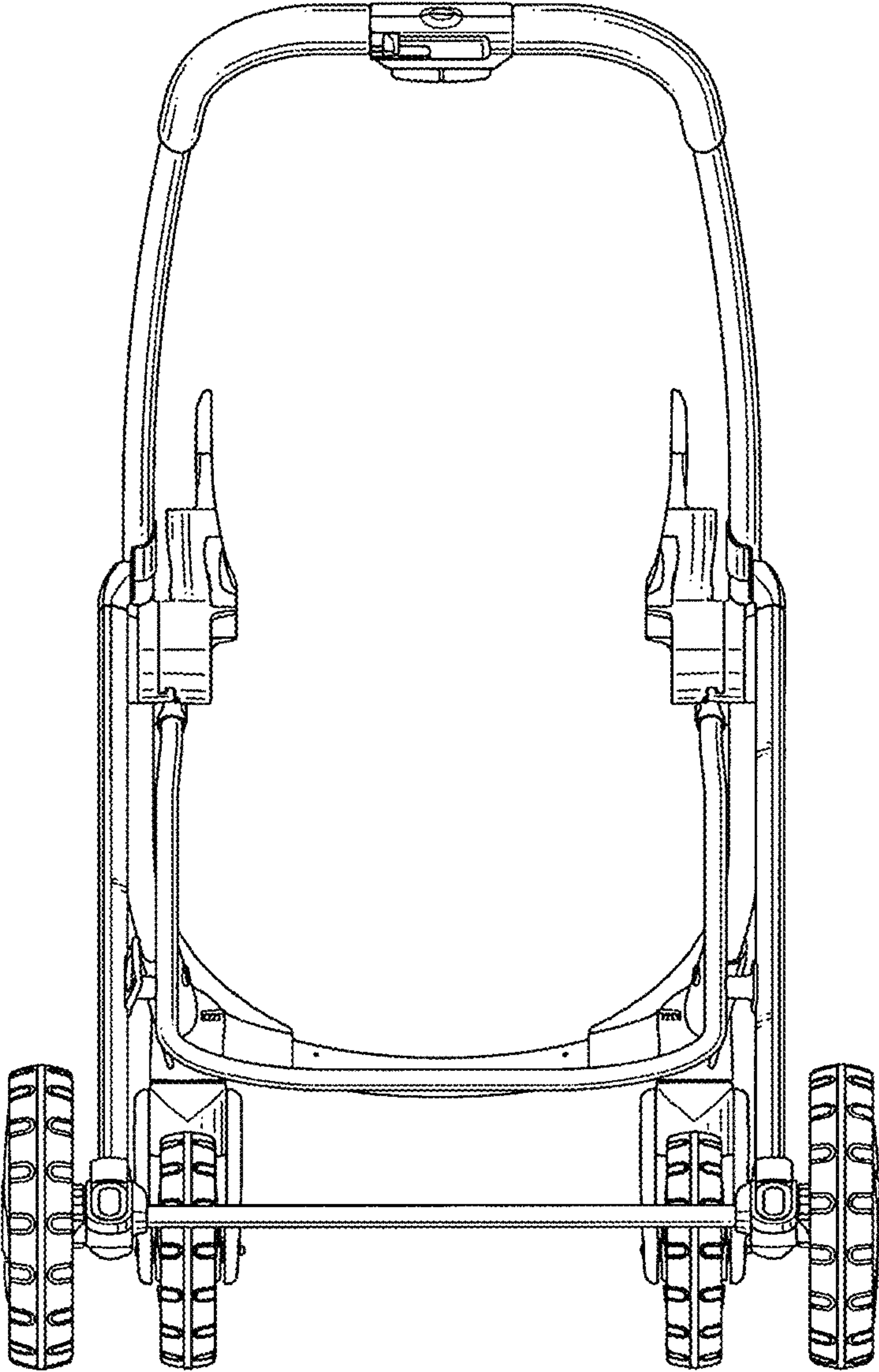


FIG. 3

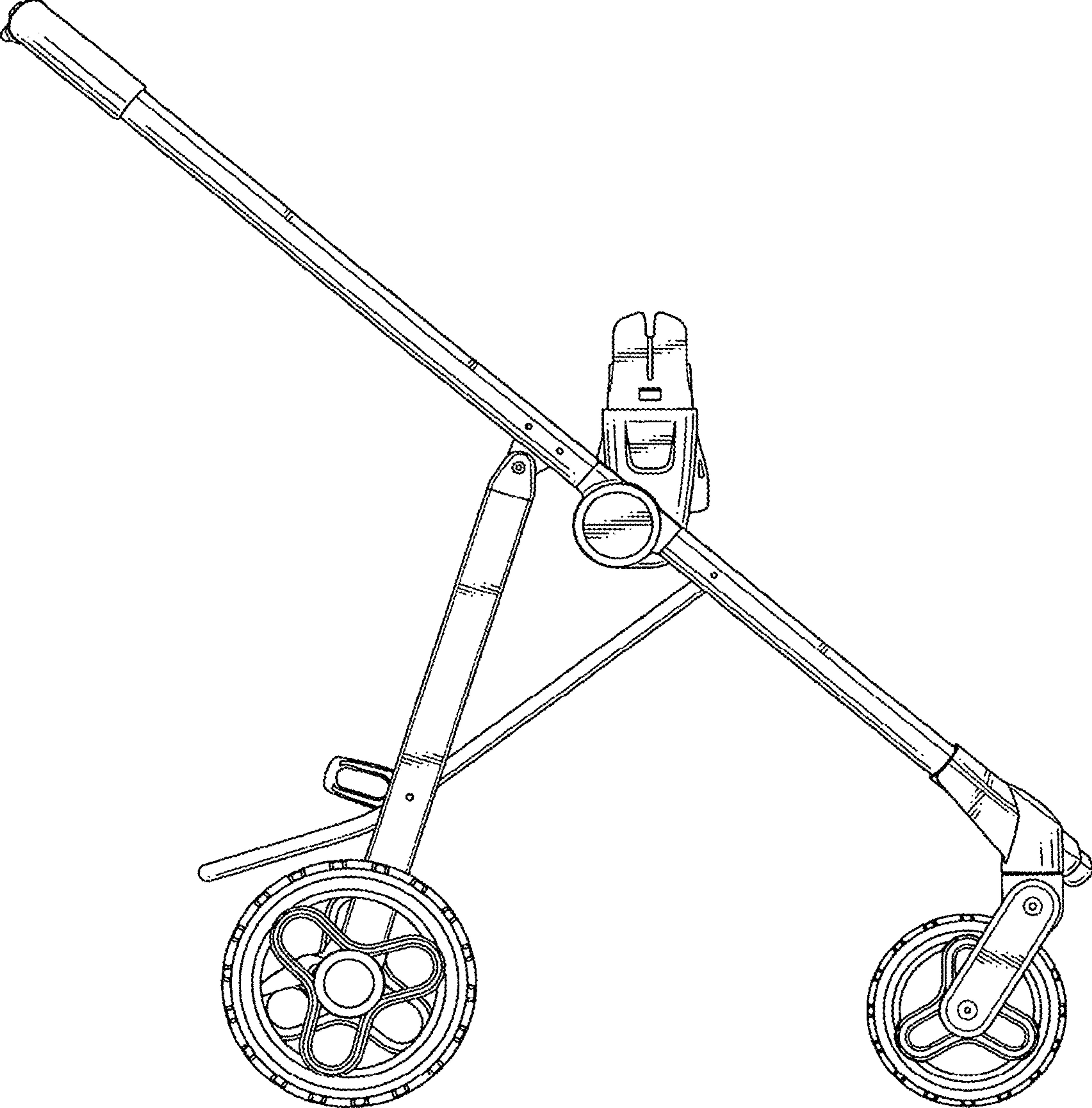


FIG. 4

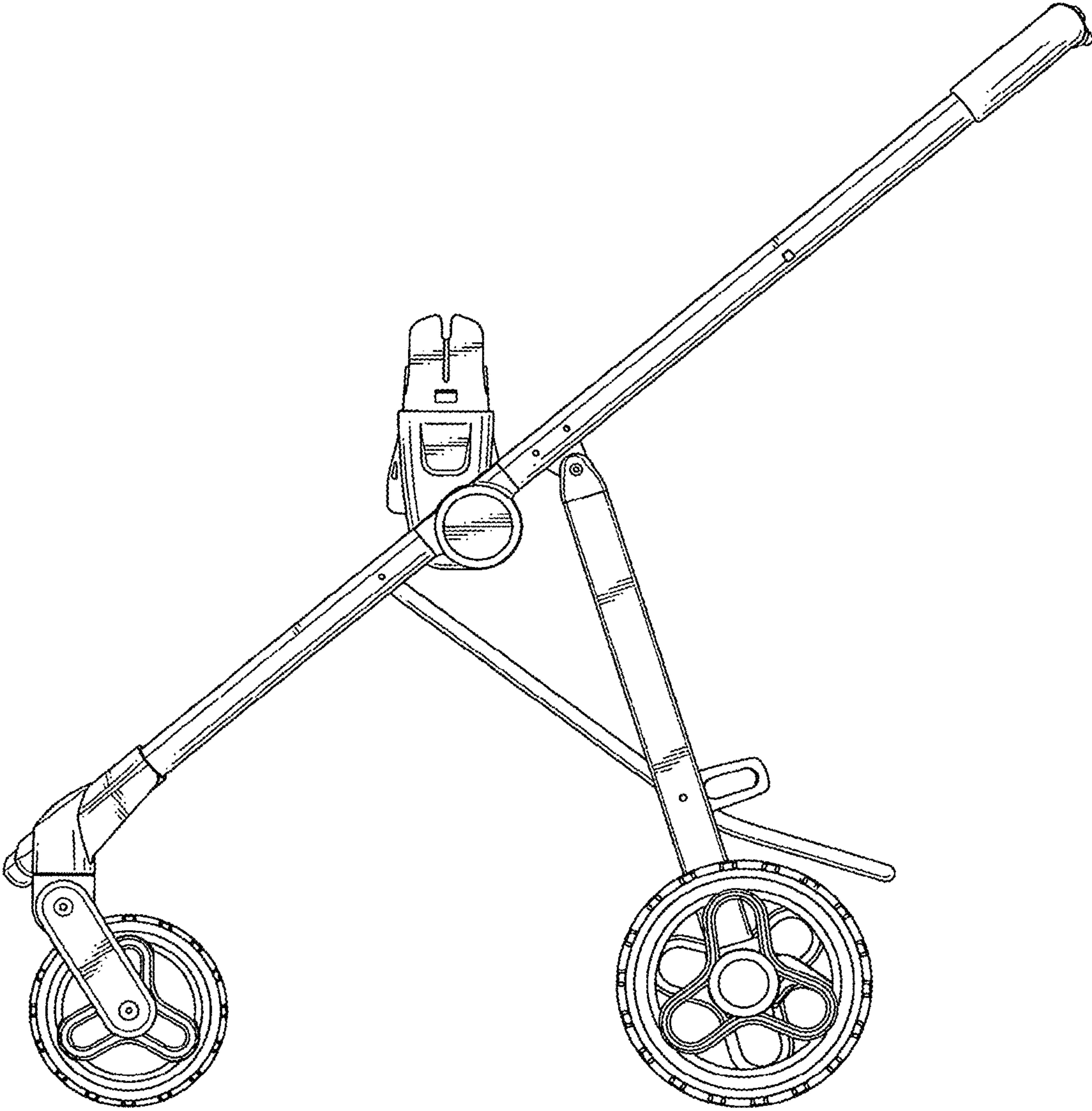


FIG. 5

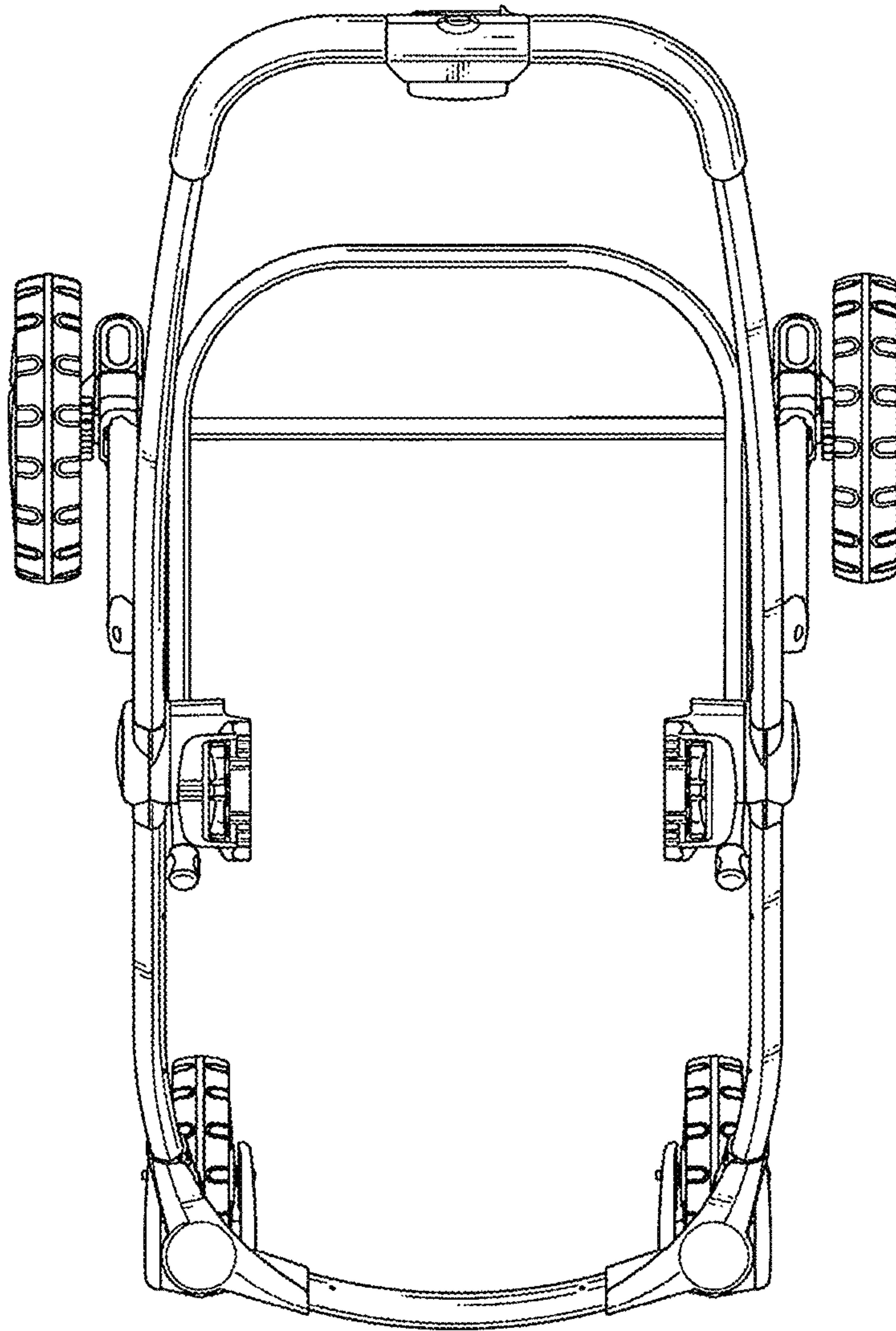


FIG. 6

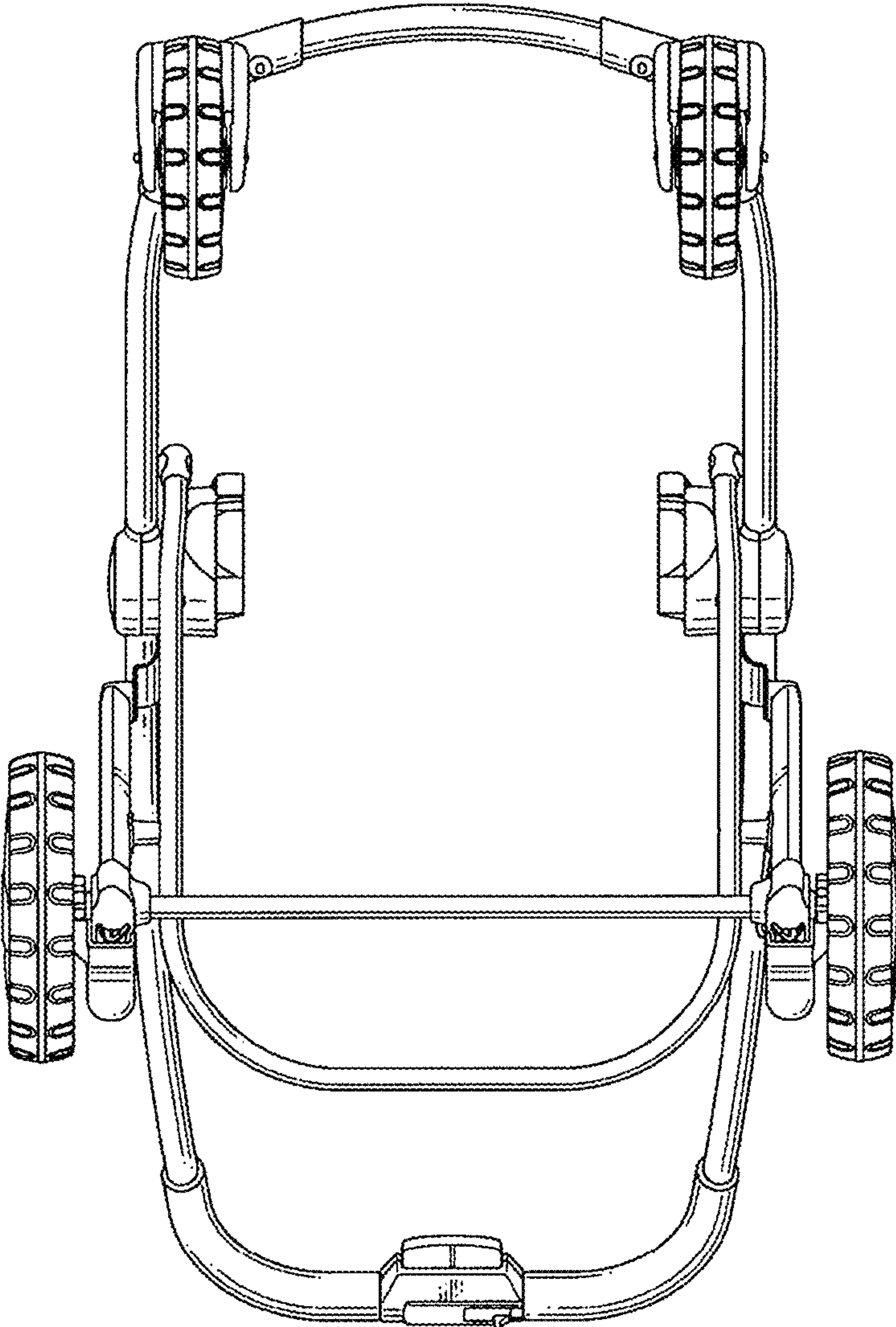


FIG. 7

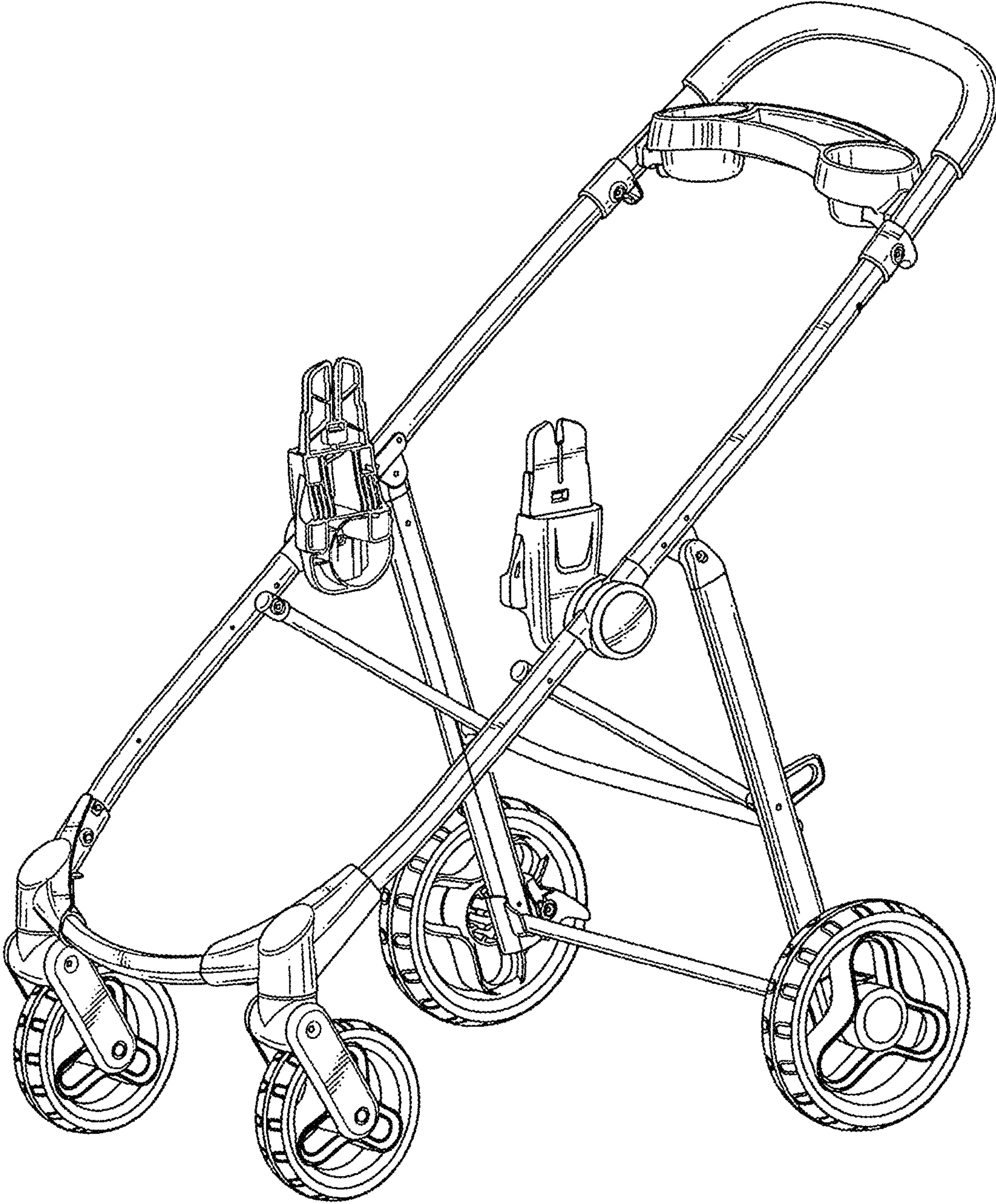


FIG. 8

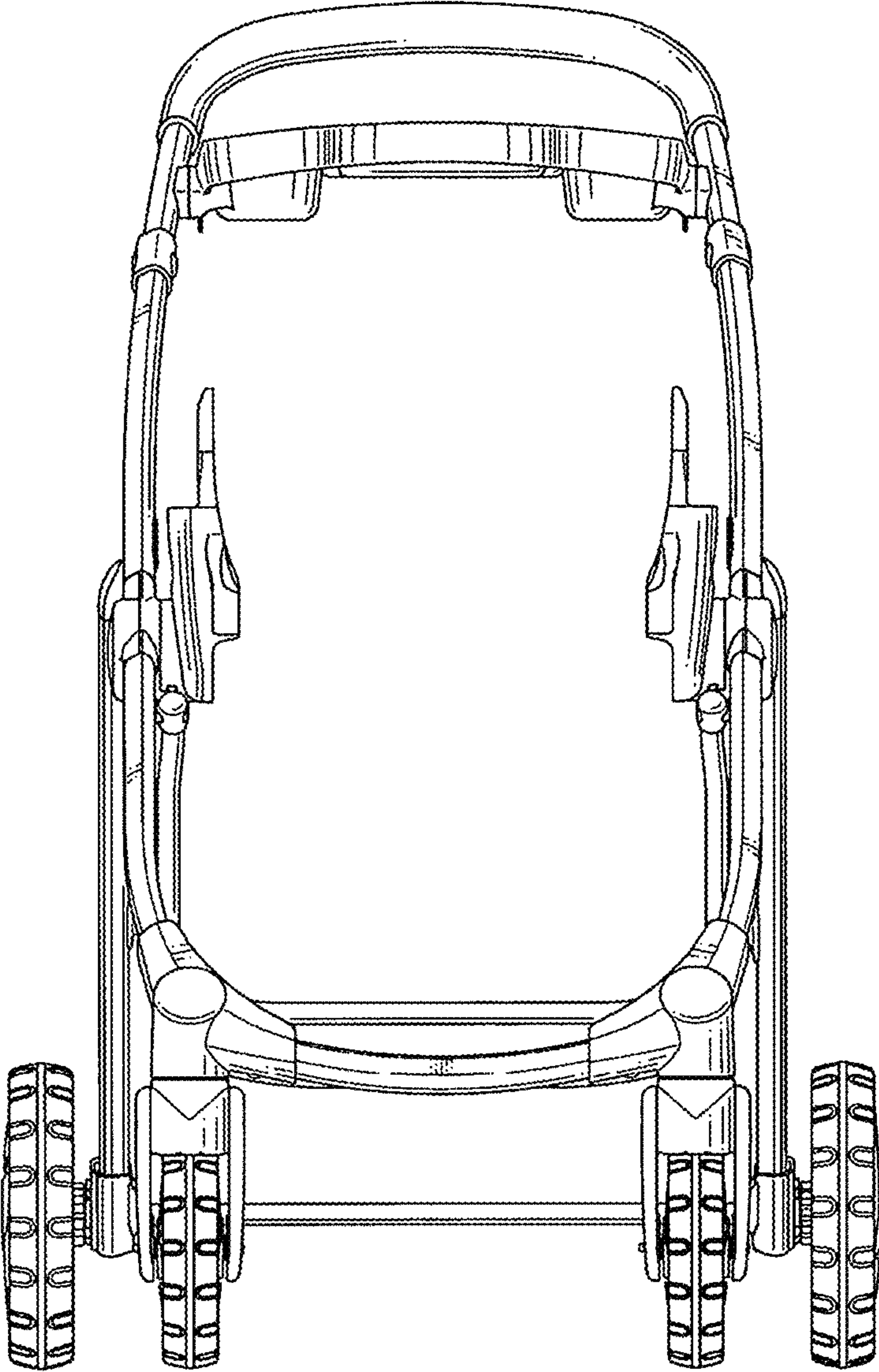


FIG. 9

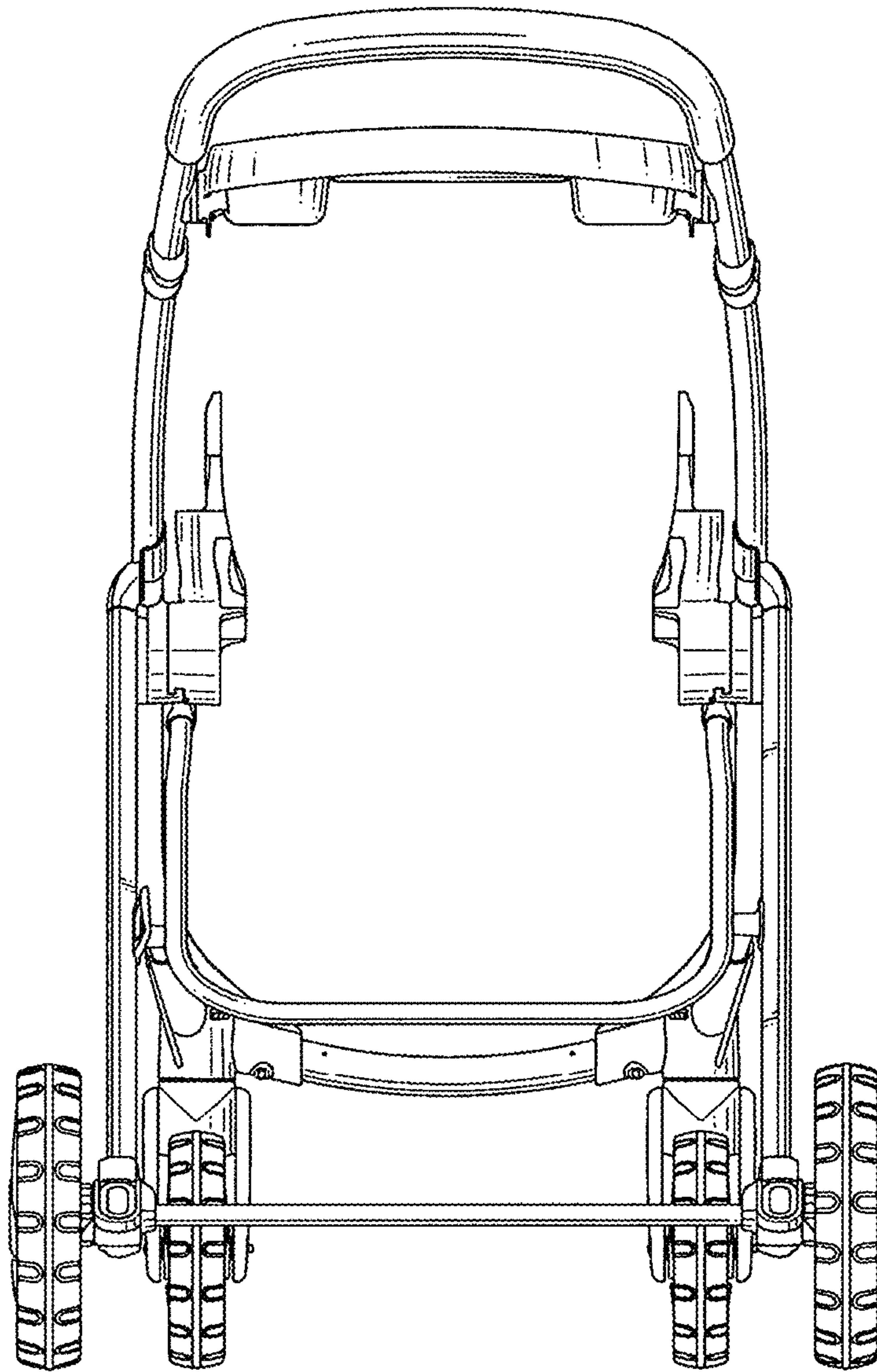


FIG. 10

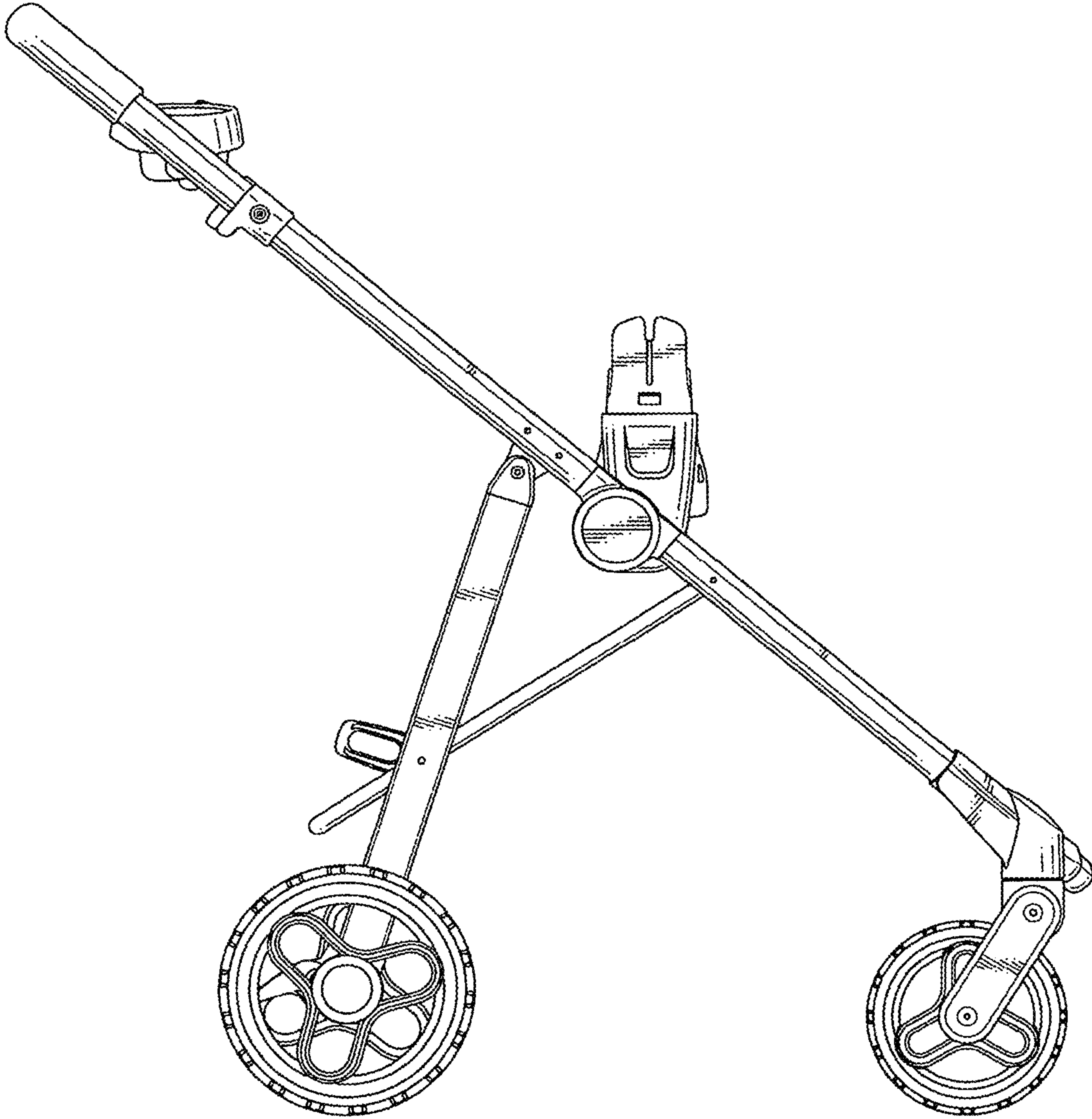


FIG. 11

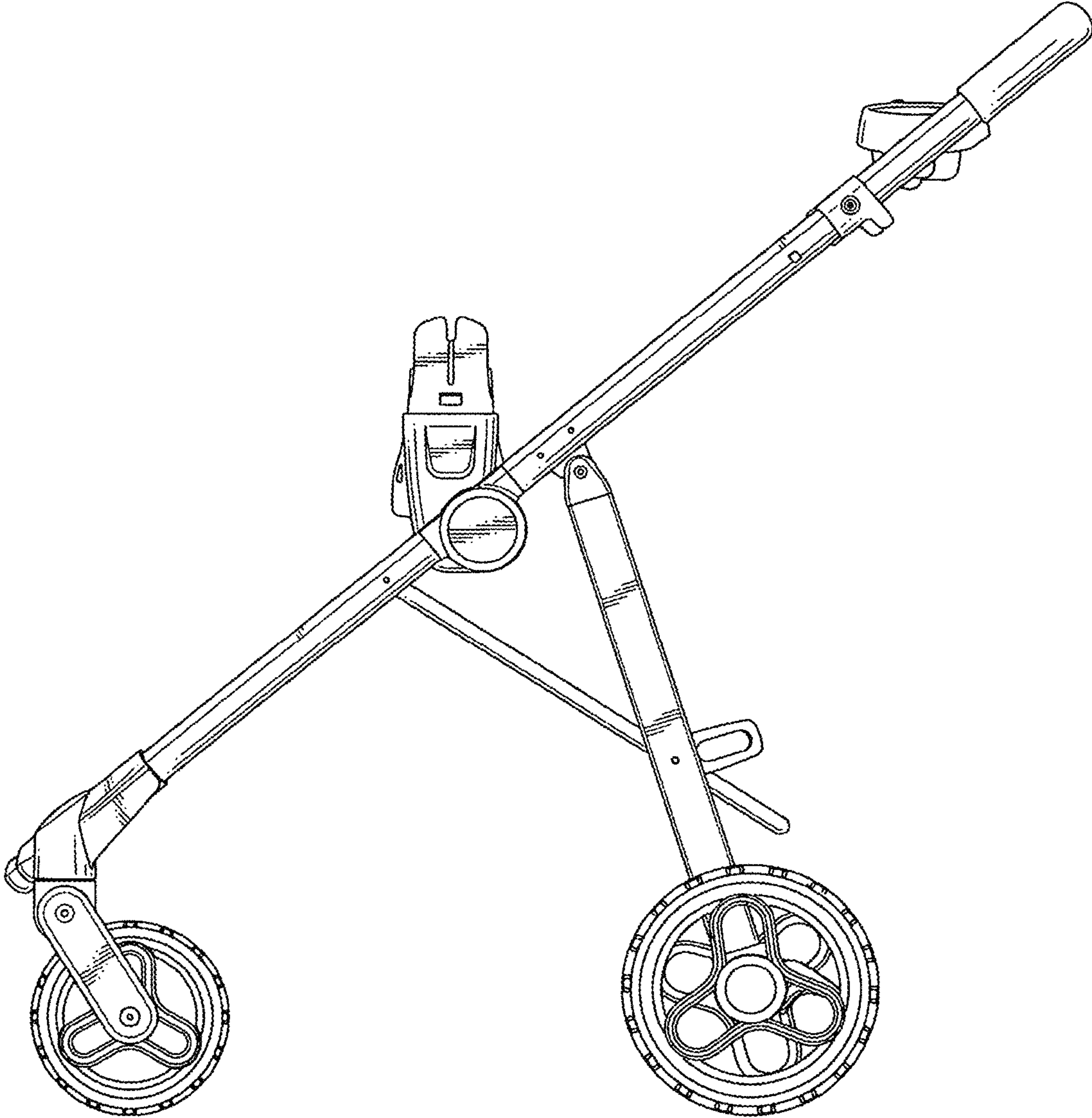


FIG. 12

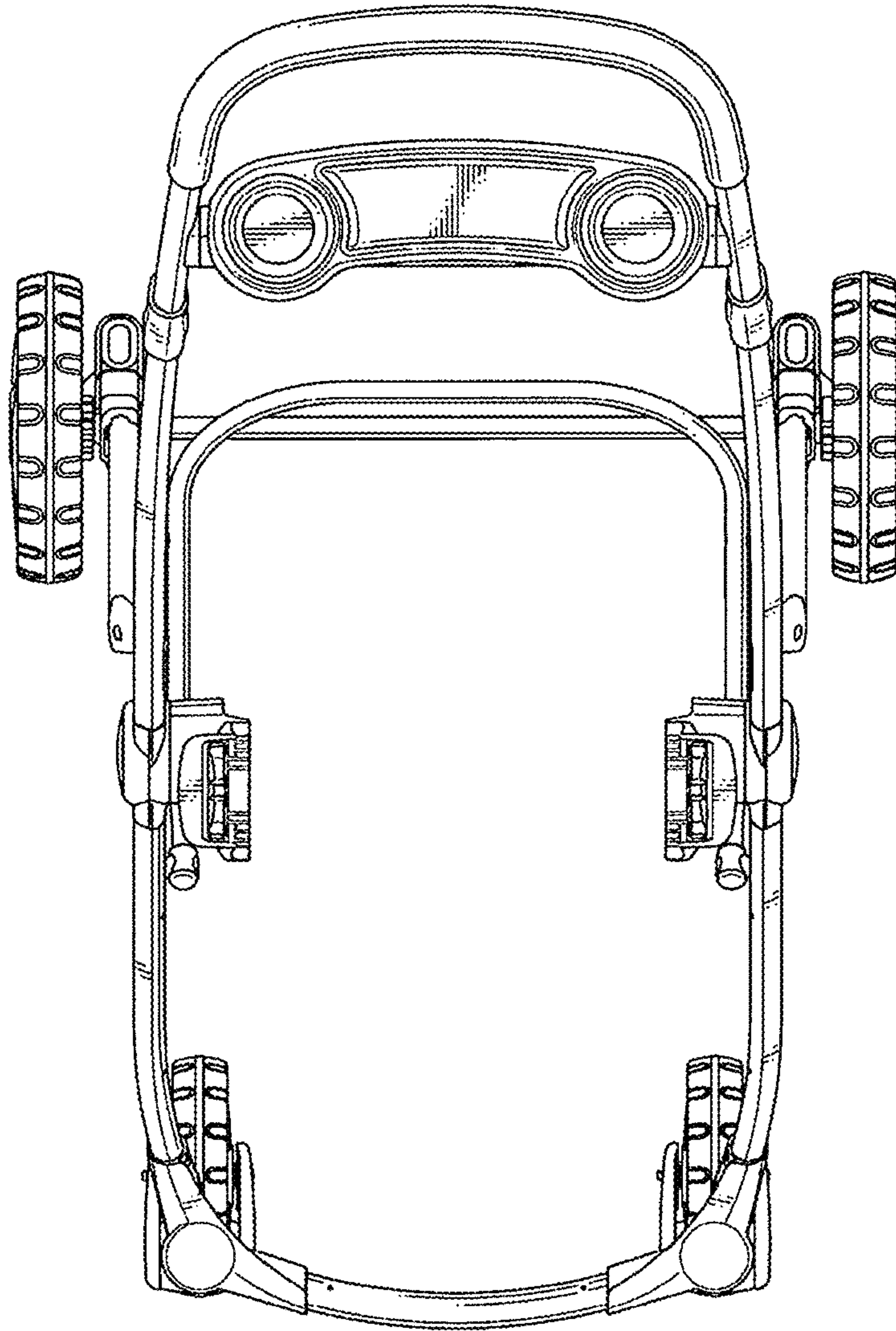


FIG. 13

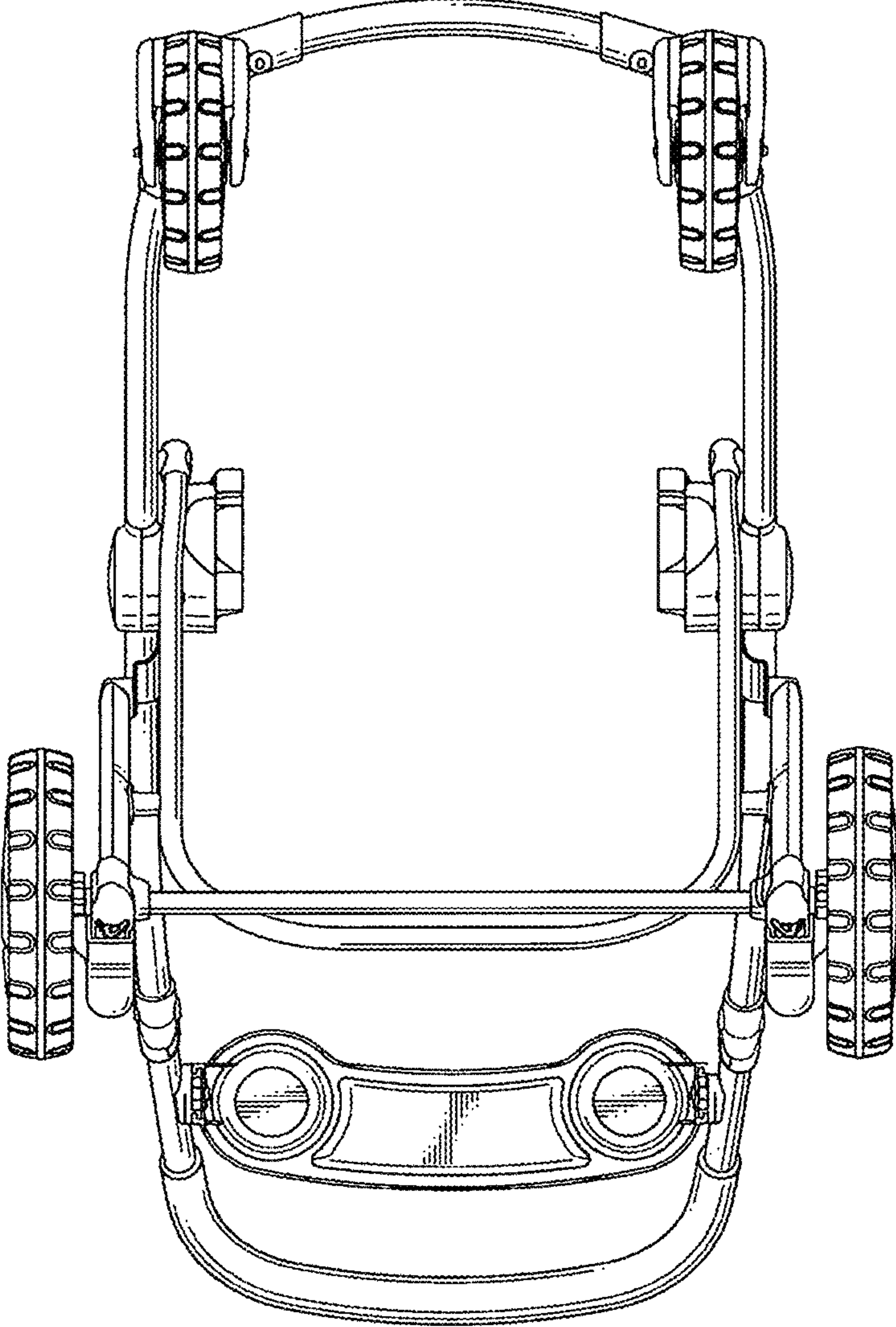


FIG. 14