



US00D924736S

(12) **United States Design Patent**
Zhou

(10) **Patent No.:** **US D924,736 S**

(45) **Date of Patent:** **** Jul. 13, 2021**

- (54) **STROLLER CHASSIS**
- (71) Applicant: **CHANGDE YIXIANG INDUSTRIAL CO., LTD.**, Changde (CN)
- (72) Inventor: **Jin-Song Zhou**, Changde (CN)
- (73) Assignee: **Changde Yixiang Industrial Co., Ltd.**, Hu Nan Province (CN)

D833,918 S *	11/2018	Gopaul	D12/129
D840,280 S *	2/2019	Zhou	D12/129
D853,892 S *	7/2019	Hu	D12/129
D854,460 S *	7/2019	Hu	D12/129
D870,603 S *	12/2019	Haut	D12/133
D874,987 S *	2/2020	Baker	D12/129
D875,618 S *	2/2020	Hauser	D12/129
D889,323 S *	7/2020	Reinius	D12/129
D896,133 S *	9/2020	Zhou	D12/129
D906,900 S *	1/2021	Walker	D12/129
D915,247 S *	4/2021	Haley	D12/129

(**) Term: **15 Years**

* cited by examiner

(21) Appl. No.: **29/713,055**

Primary Examiner — Charles D Hanson

(22) Filed: **Nov. 13, 2019**

(74) *Attorney, Agent, or Firm* — Rosenberg, Klein & Lee

(51) **LOC (13) Cl.** **12-12**

(57) **CLAIM**

(52) **U.S. Cl.**
USPC **D12/129**

The ornamental design for a stroller chassis, as shown and described.

(58) **Field of Classification Search**
USPC D12/129-133
CPC B62B 7/00-04; B62B 9/00-28
See application file for complete search history.

DESCRIPTION

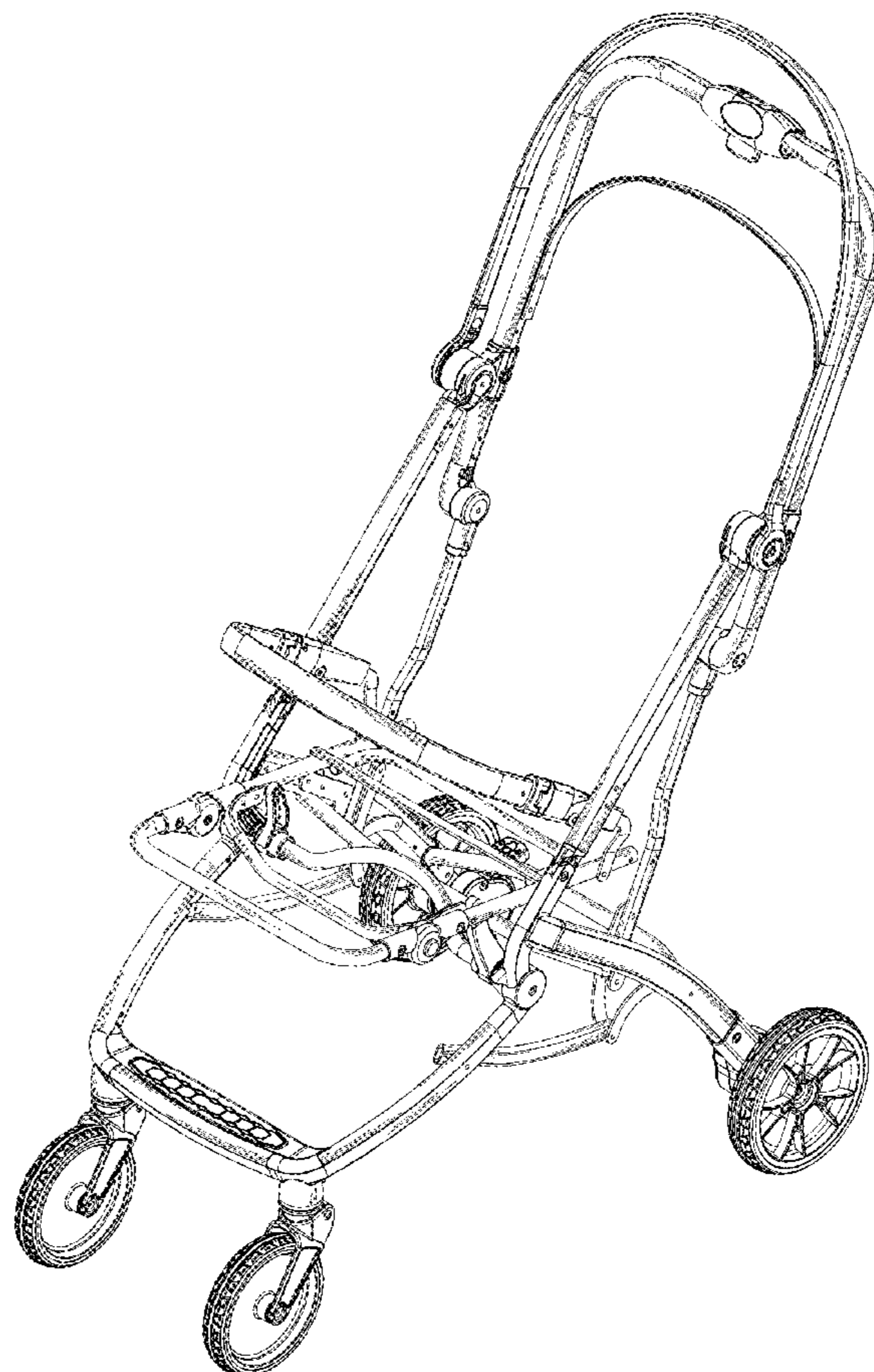
(56) **References Cited**

FIG. 1 is a perspective view of a stroller showing my new design;
FIG. 2 is a front elevational view thereof;
FIG. 3 is a rear elevational view thereof;
FIG. 4 is a right side view thereof;
FIG. 5 is a left side view thereof;
FIG. 6 is a top plan view thereof; and,
FIG. 7 is a bottom plan view thereof.

U.S. PATENT DOCUMENTS

D769,158 S *	10/2016	Ruggiero	D12/129
D772,111 S *	11/2016	Jane Santamaria	D12/129
D815,567 S *	4/2018	Oakes	D12/129

1 Claim, 7 Drawing Sheets



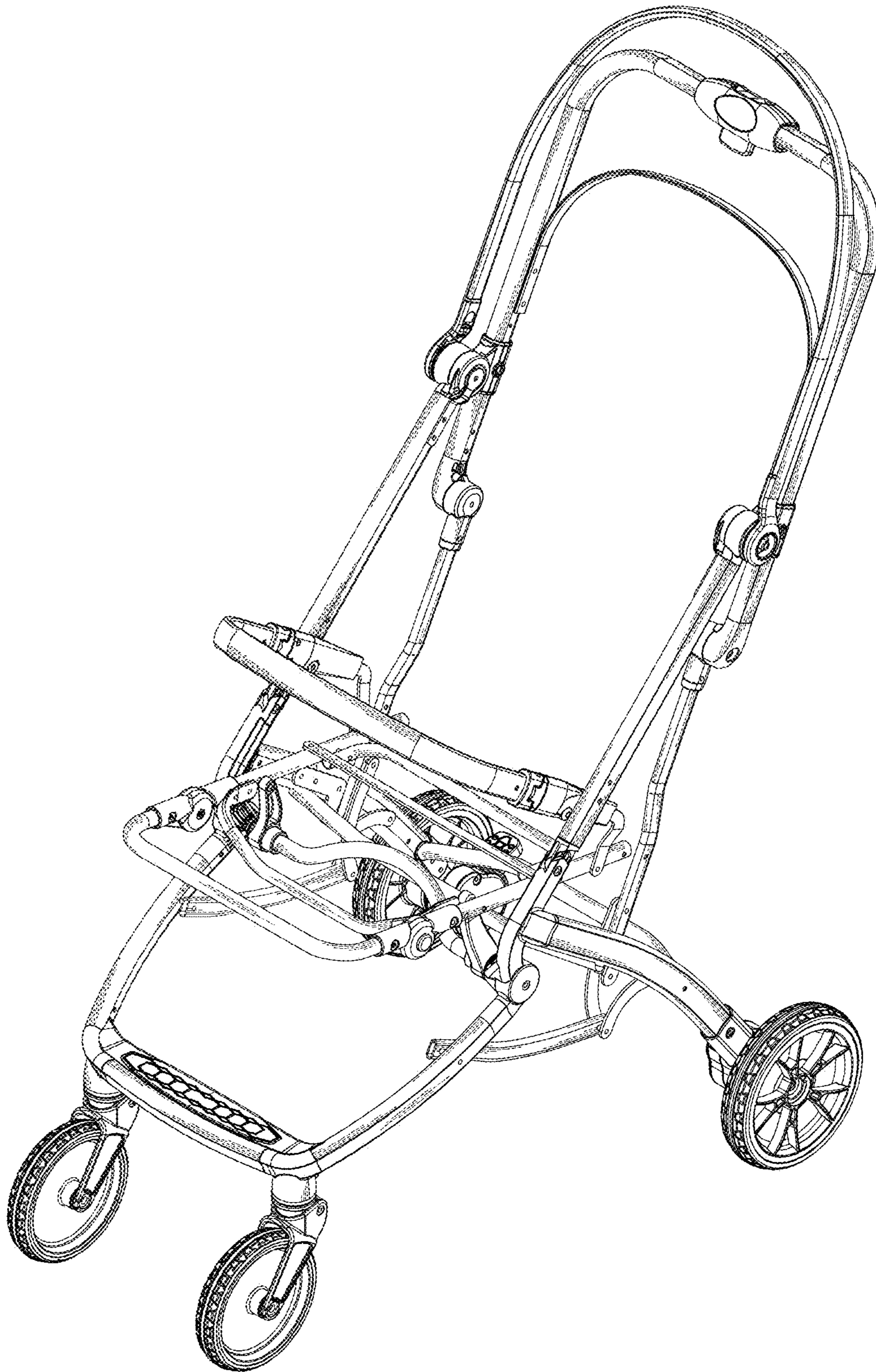


FIG. 1

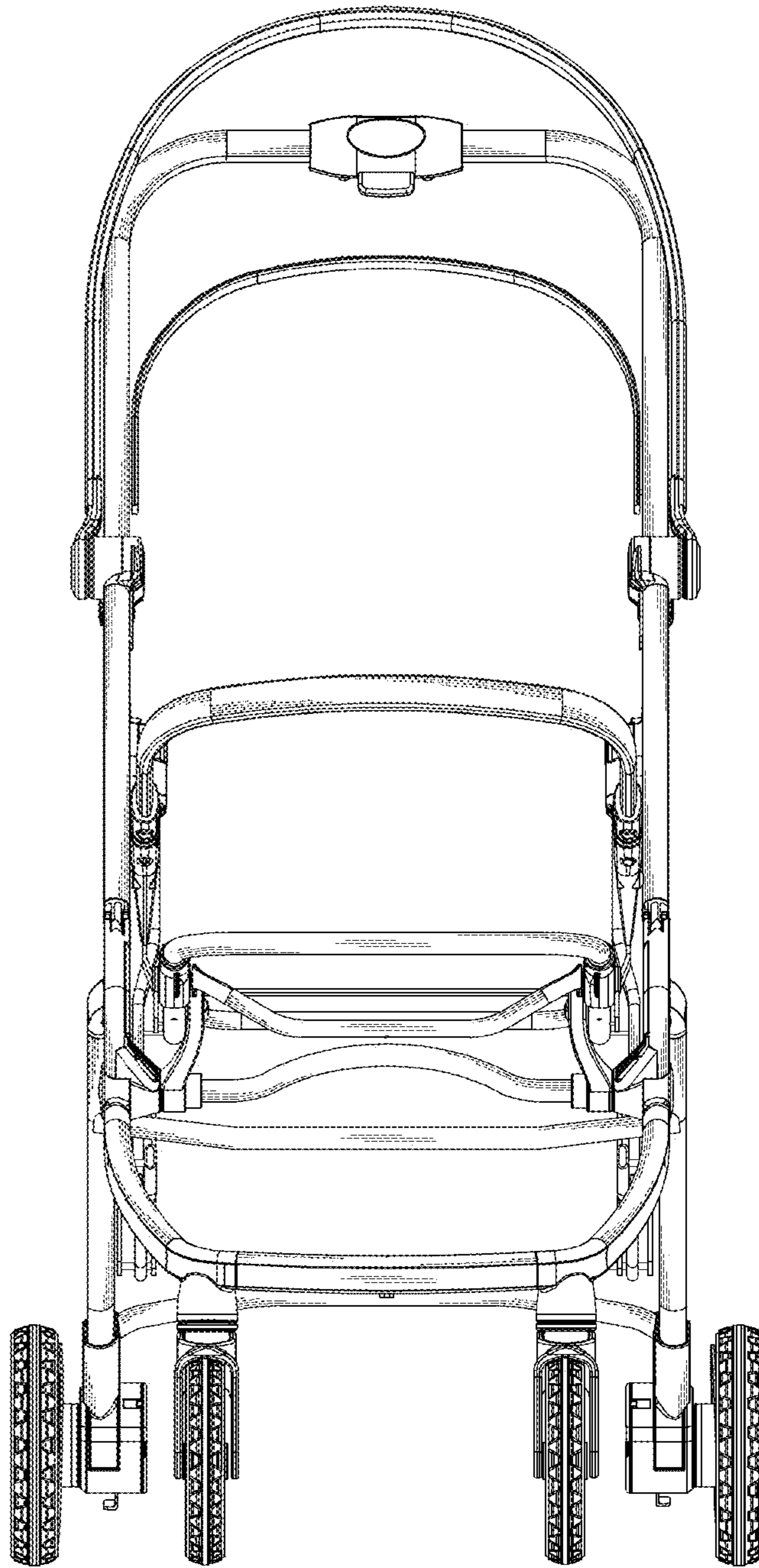


FIG. 2

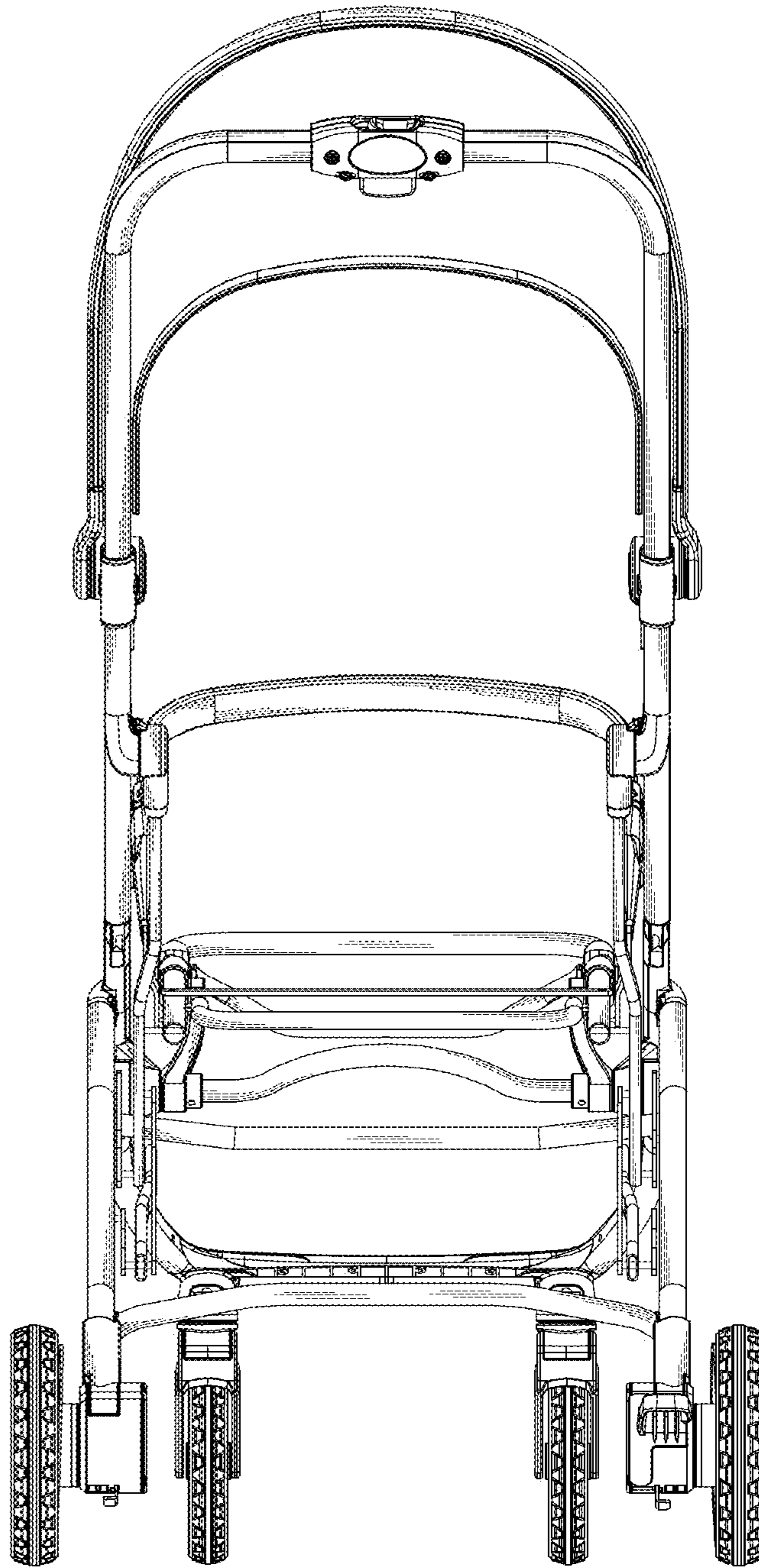


FIG. 3

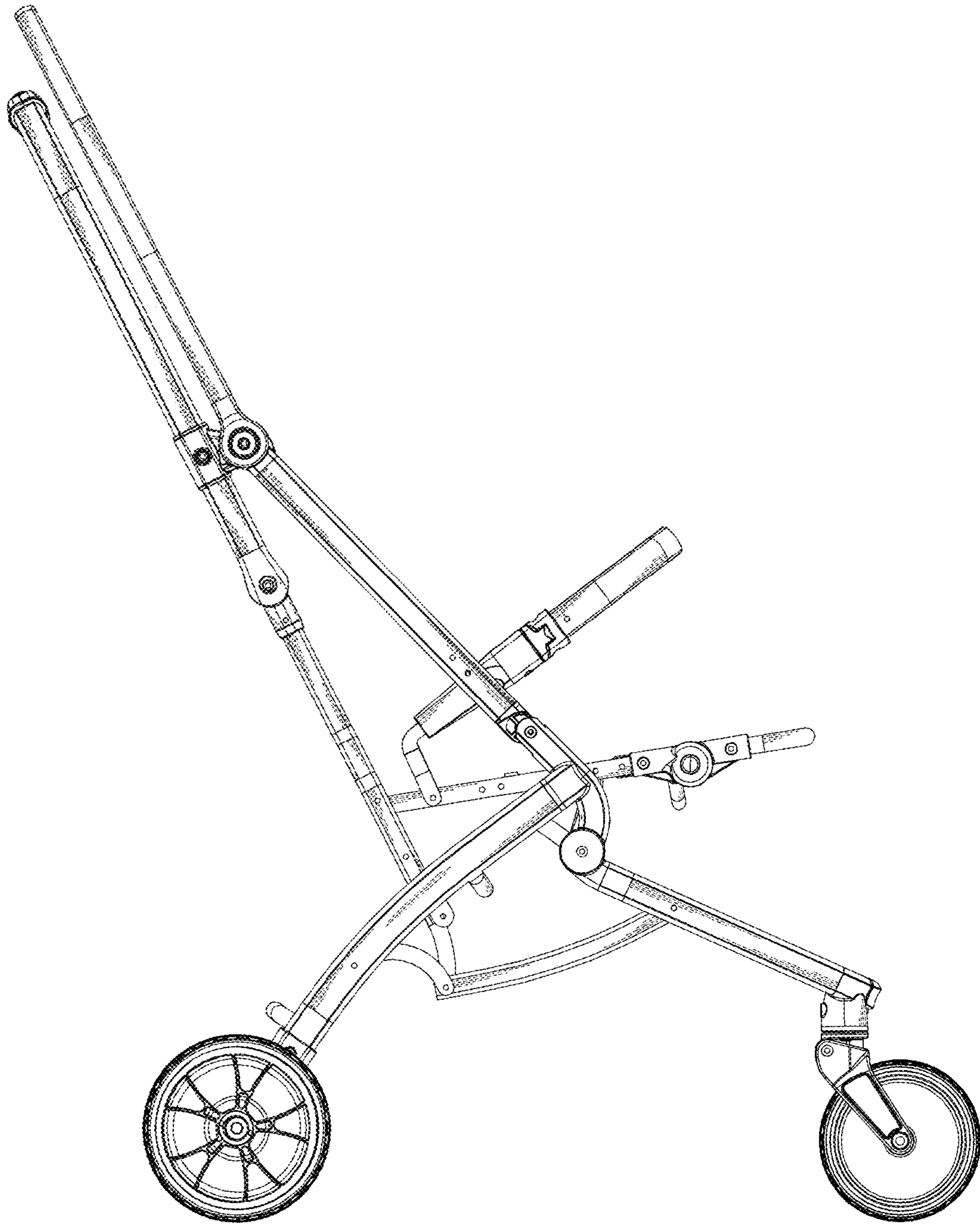


FIG. 4

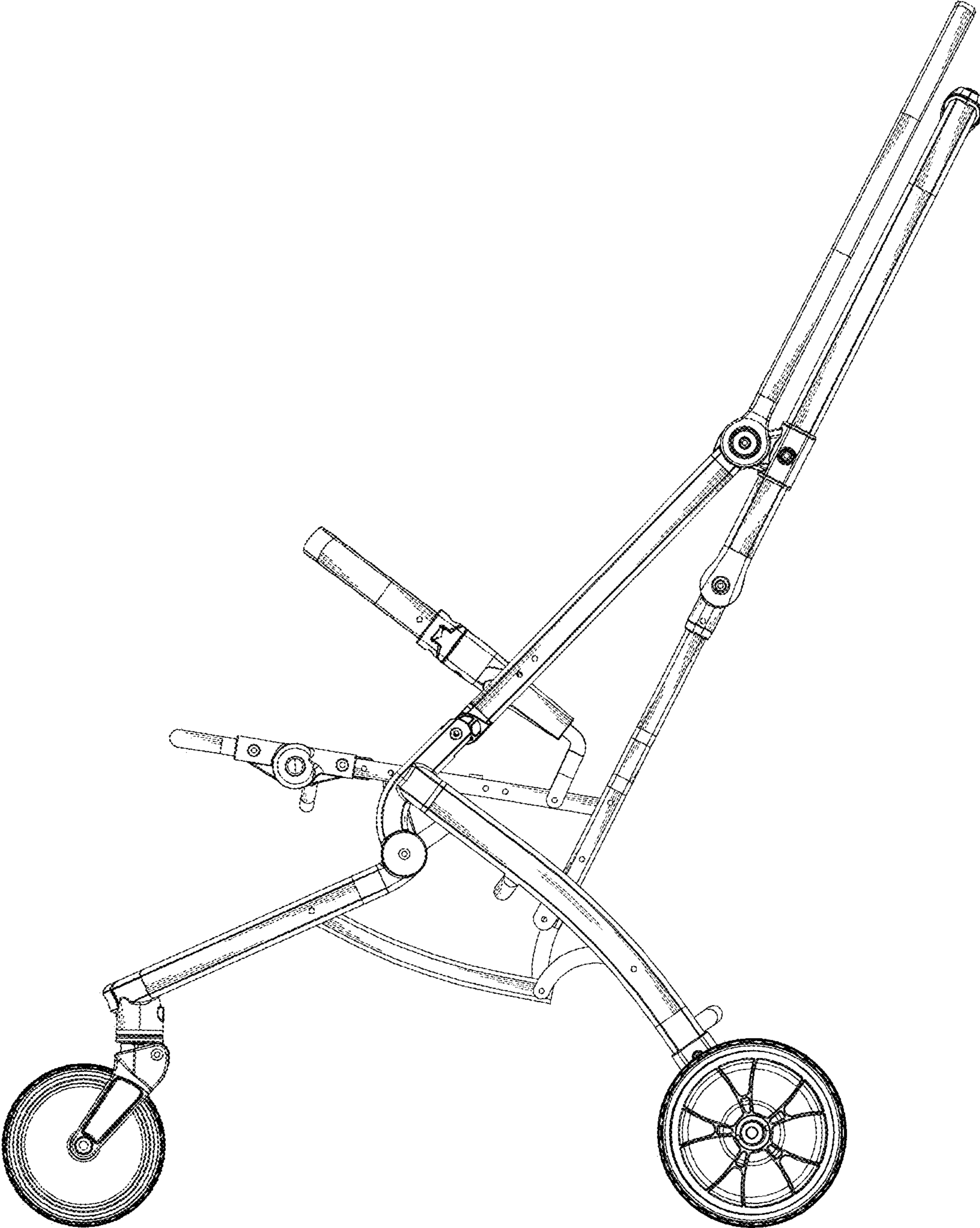


FIG. 5

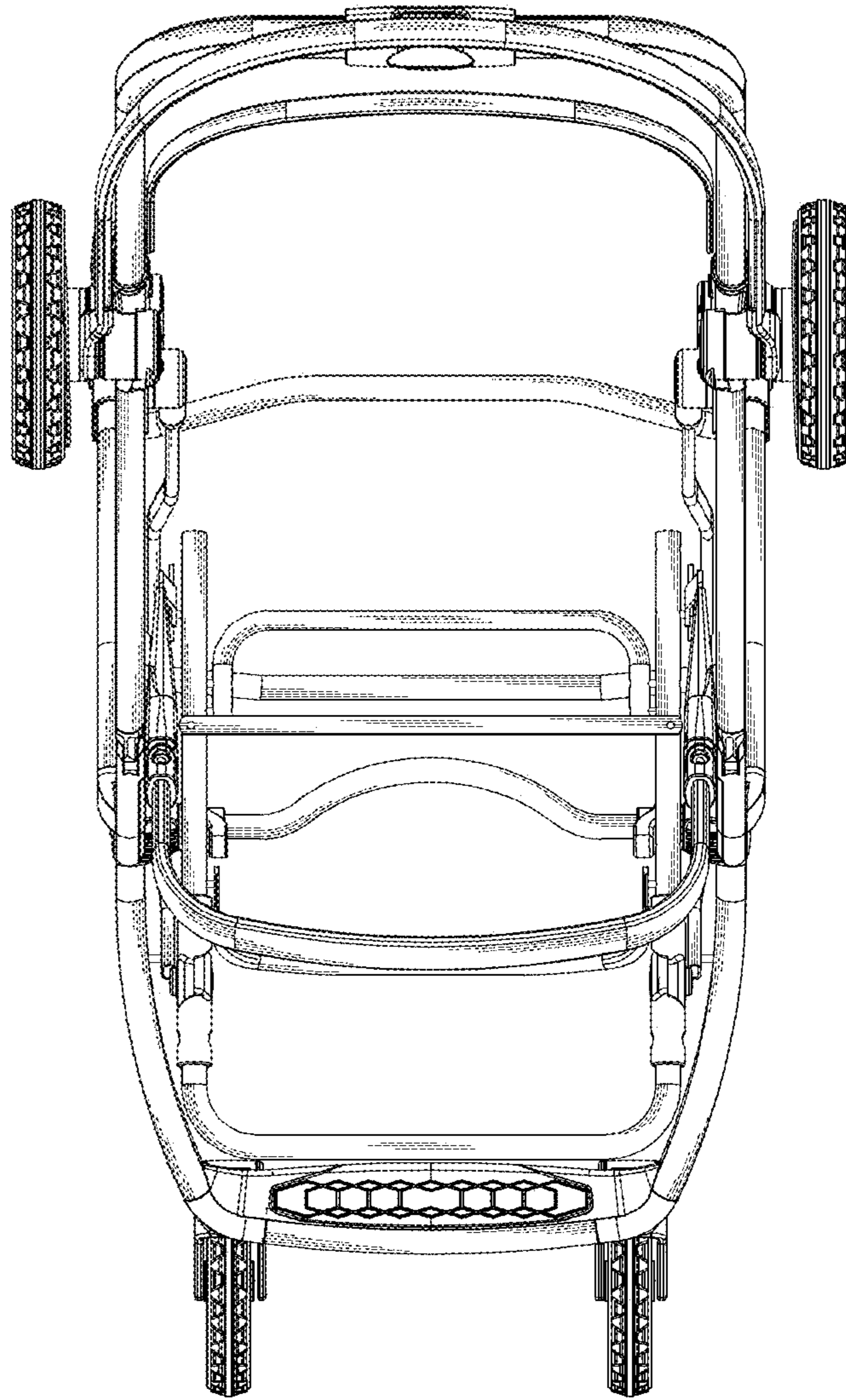


FIG. 6

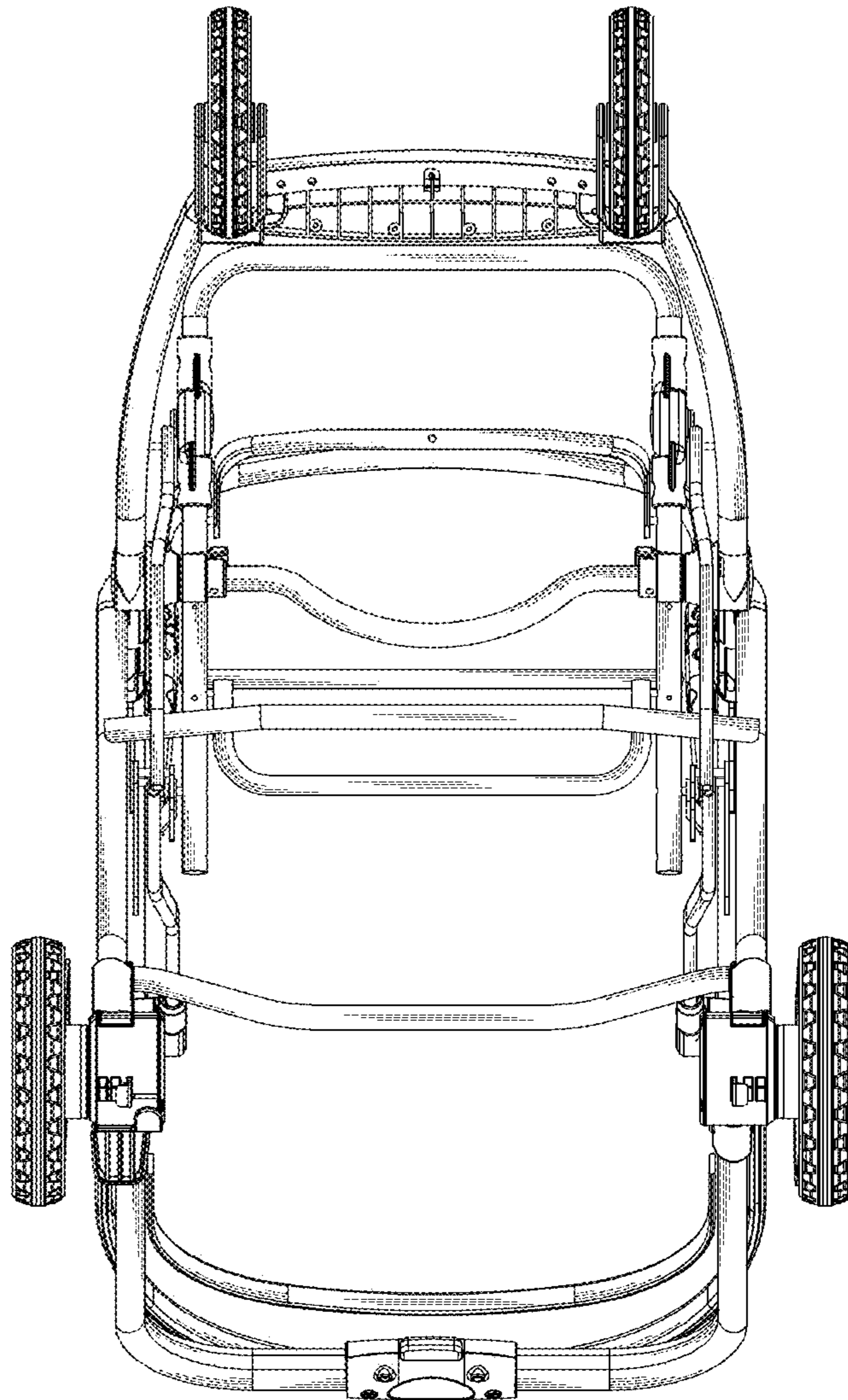


FIG. 7