



US00D924735S

(12) **United States Design Patent** (10) **Patent No.:** **US D924,735 S**
Chambers et al. (45) **Date of Patent:** **** Jul. 13, 2021**

(54) **MOTORBIKE FRONT FORK ASSEMBLY WITH HEADLIGHT**

- (71) Applicant: **Super73, Inc.**, Irvine, CA (US)
- (72) Inventors: **Ian Chambers**, Irvine, CA (US);
Legrand Crewse, Irvine, CA (US)
- (73) Assignee: **Super73, Inc.**, Irvine, CA (US)
- (**) Term: **15 Years**
- (21) Appl. No.: **29/732,849**
- (22) Filed: **Apr. 28, 2020**

Related U.S. Application Data

- (63) Continuation-in-part of application No. 29/721,979, filed on Jan. 24, 2020.
- (51) **LOC (13) Cl.** **12-11**
- (52) **U.S. Cl.**
USPC **D12/118**
- (58) **Field of Classification Search**
USPC D12/111, 112, 113, 114, 117, 118, 126,
D12/184, 186, 107
CPC . B62J 15/00; B62J 15/02; B62J 17/02; B62K
5/06
See application file for complete search history.

(56) **References Cited**

U.S. PATENT DOCUMENTS

- 2,542,926 A * 2/1951 Jozif B62K 21/02
362/475
- 3,556,557 A * 1/1971 Blair, III B62K 21/02
280/279
- 4,327,928 A * 5/1982 Chalmers B62K 25/08
280/277
- 4,512,592 A * 4/1985 Yoshioka B62K 21/08
280/277
- D368,054 S * 3/1996 Behrens D12/118

(Continued)

OTHER PUBLICATIONS

“2021 FOX 38/36 Fender” Sovereign Cycle., posted date 2021 [online], [retrieved on Feb. 25, 2021]. Retrieved from the Internet <URL: https://www.sovereigncycle.com/21-fox-38-36-front-fender.html> (Year: 2021).*

(Continued)

Primary Examiner — Darlington Ly
Assistant Examiner — Nasim Abdulaziz Ali
(74) *Attorney, Agent, or Firm* — Stradling Yocca Carlson & Rauth

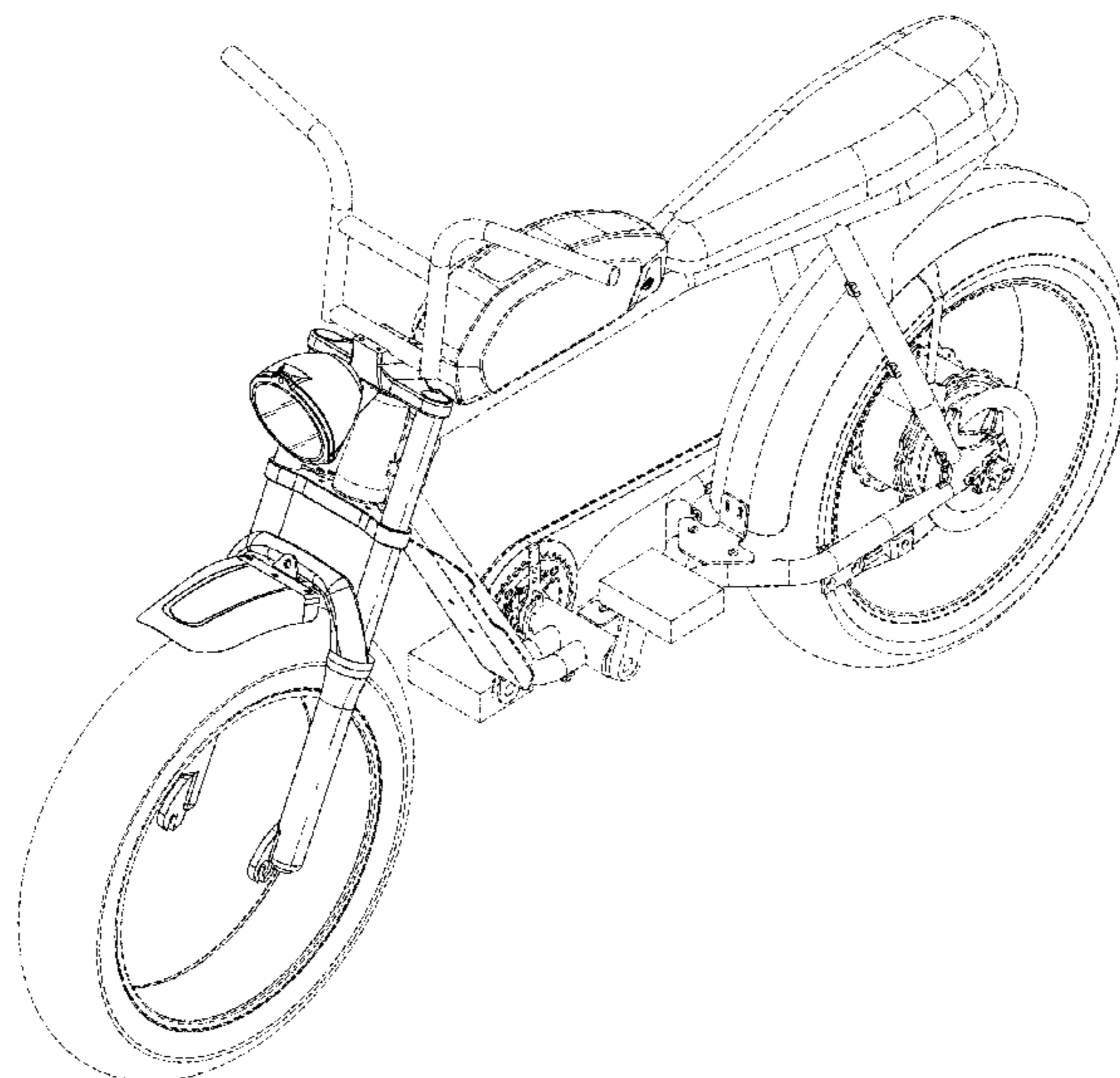
(57) **CLAIM**

The ornamental design for a motorbike front fork assembly with headlight, as shown and described.

DESCRIPTION

FIG. 1 is a top, front, and left side perspective view of a motorbike front fork assembly with headlight embodying our new design as installed on an exemplary motorbike; FIG. 2 is a top, rear, and right side perspective view thereof as installed on an exemplary motorbike; FIG. 3 is a top, front, and left side perspective view thereof; FIG. 4 is a top, rear, and right side perspective view thereof; FIG. 5 is a left side elevation view thereof; FIG. 6 is a right side elevation view thereof; FIG. 7 is a front elevation view thereof; FIG. 8 is a rear elevation view thereof; FIG. 9 is a top plan view thereof; and, FIG. 10 is a bottom plan view thereof. The broken line showing of portions of the motorbike are provided for the purpose of illustrating environmental structure and form no part of the claimed design.

1 Claim, 9 Drawing Sheets



(56)

References Cited

U.S. PATENT DOCUMENTS

5,603,521 A * 2/1997 Bontrager B62K 21/18
280/279
D414,141 S * 9/1999 Tsai D12/118
D417,416 S * 12/1999 Storz D12/118
6,017,047 A * 1/2000 Hoose B60G 3/01
280/276
6,299,190 B1 * 10/2001 Su B62K 21/04
280/279
D479,163 S * 9/2003 Graves D12/118
7,185,905 B2 * 3/2007 Czysz B62K 21/02
180/219
D545,726 S * 7/2007 Francis D12/118
7,766,360 B2 * 8/2010 Saitou B62K 11/04
280/288.4
2004/0207171 A1 * 10/2004 Francis B62K 25/08
280/276
2005/0023795 A1 * 2/2005 Czysz B62K 21/02
280/276
2007/0202456 A1 * 8/2007 Chen B62K 21/16
433/1
2010/0096829 A1 * 4/2010 Nagao B62J 6/02
280/279

OTHER PUBLICATIONS

“Mutt Razorback 125” Mutt Motorcycles., posted date Oct. 24, 2017 [online], [retrieved on Feb. 25, 2021]. Retrieved from the Internet <URL: <https://muttmotorcycles.com/pages/mutt-razorback-125>> (Year: 2017).*

“UNI MK Classic 250W” Urban Drivestyle., posted date Jul. 19, 2017 [online], [retrieved on Feb. 25, 2021]. Retrieved from the Internet <URL: <https://urbandrivestyle.com/products/uni-mk-classic-electric-bike?variant=31565813579854>> (Year: 2017).*

“Yamaha Yard Built XSR900” Pipe Burn., posted date Oct. 10, 2019 [online], [retrieved on Feb. 25, 2021]. Retrieved from the Internet <URL: <https://www.pipeburn.com/yamaha-xsr900-by-bunker-customs/>> (Year: 2019).*

<https://moto=be.com/super73>, Aug. 2017.

<https://super73.com/blogs/news/super-73-s1-rose-ave-starting-to-ship-out>, Jul. 2017.

<https://super73.com/products/super73-s1-black>, Aug. 2017.

<https://electricmotorcycles.news/the-super-73-scout/>, Aug. 2017.

* cited by examiner

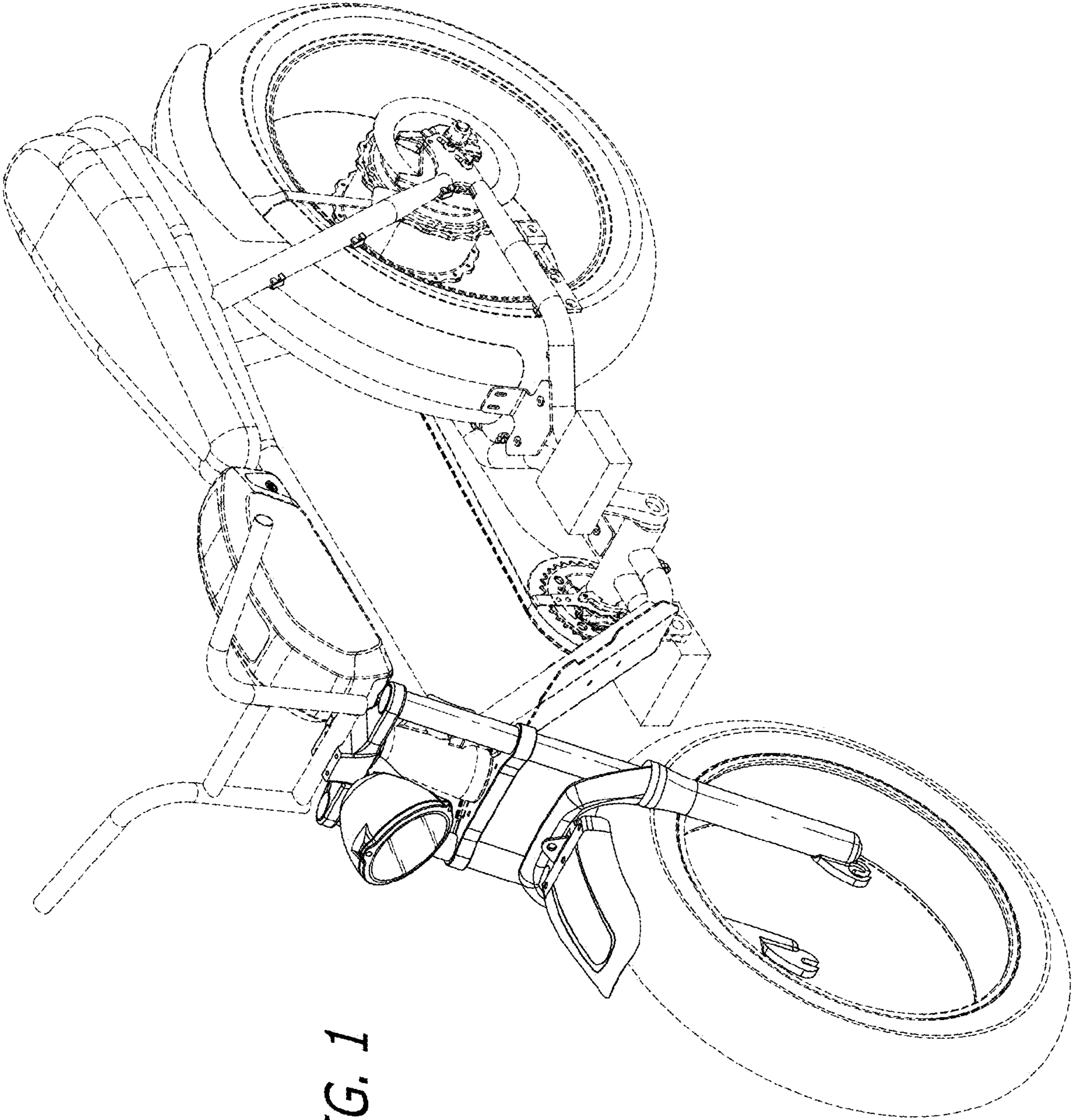


FIG. 1

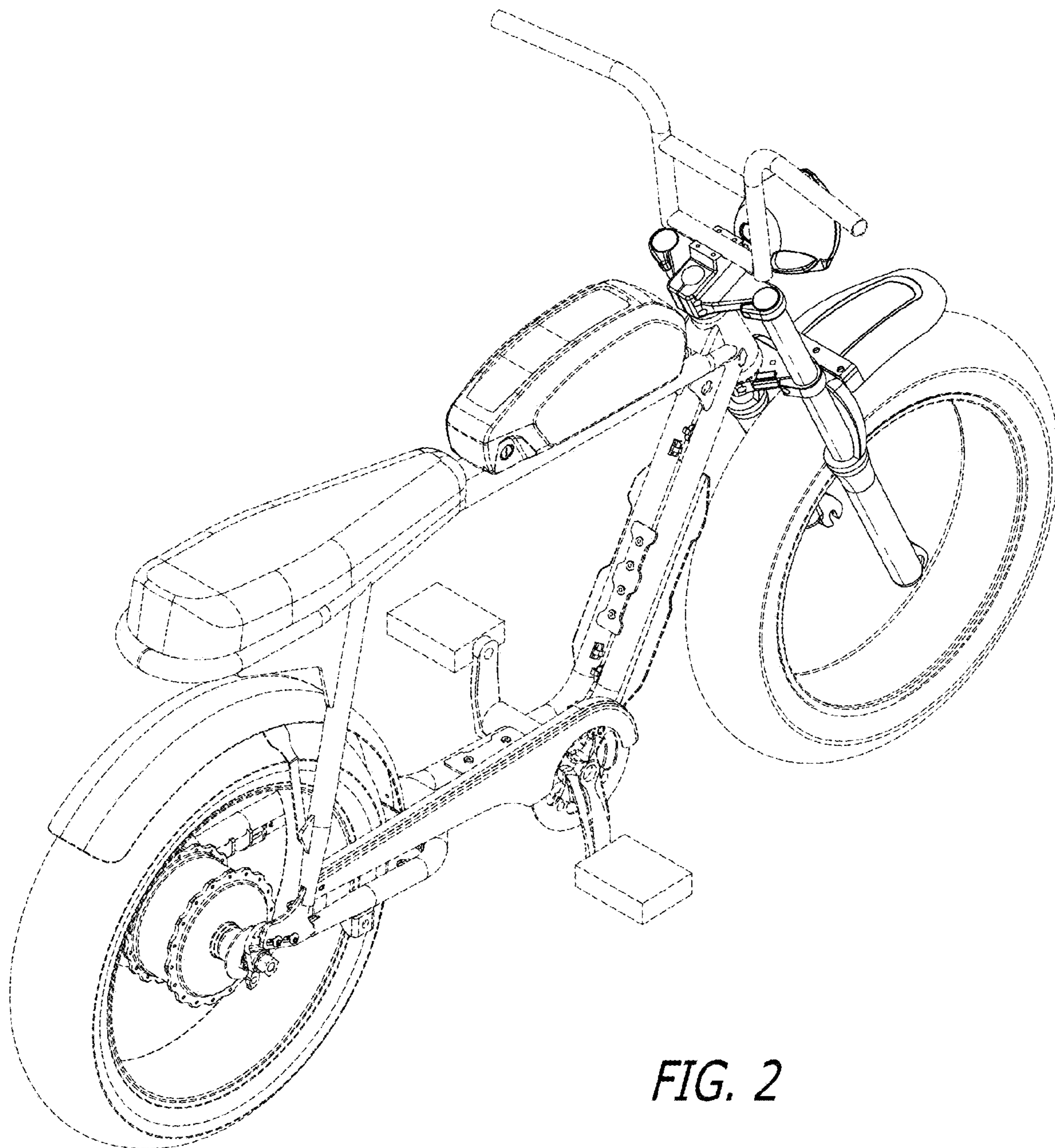
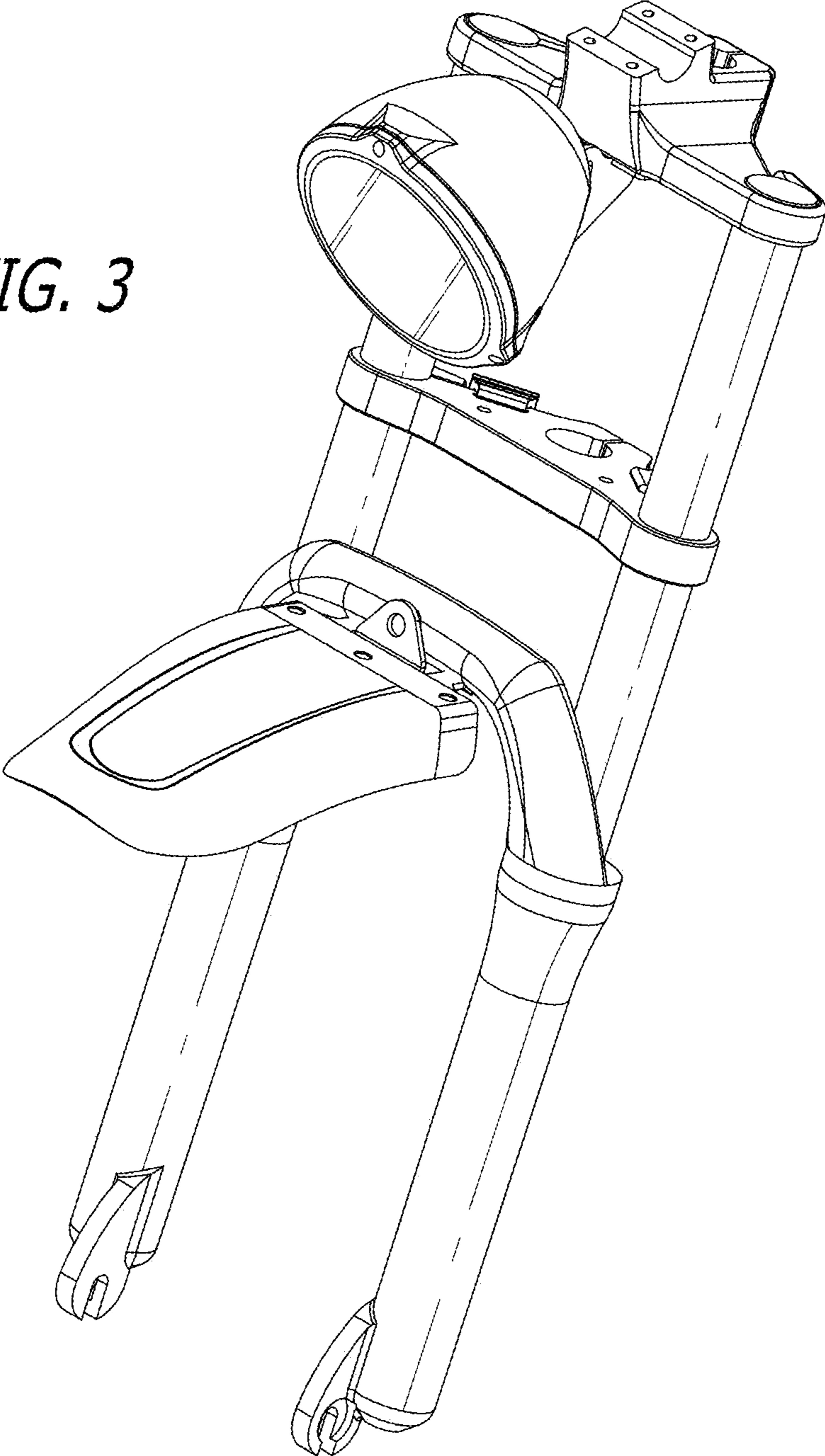


FIG. 2

FIG. 3



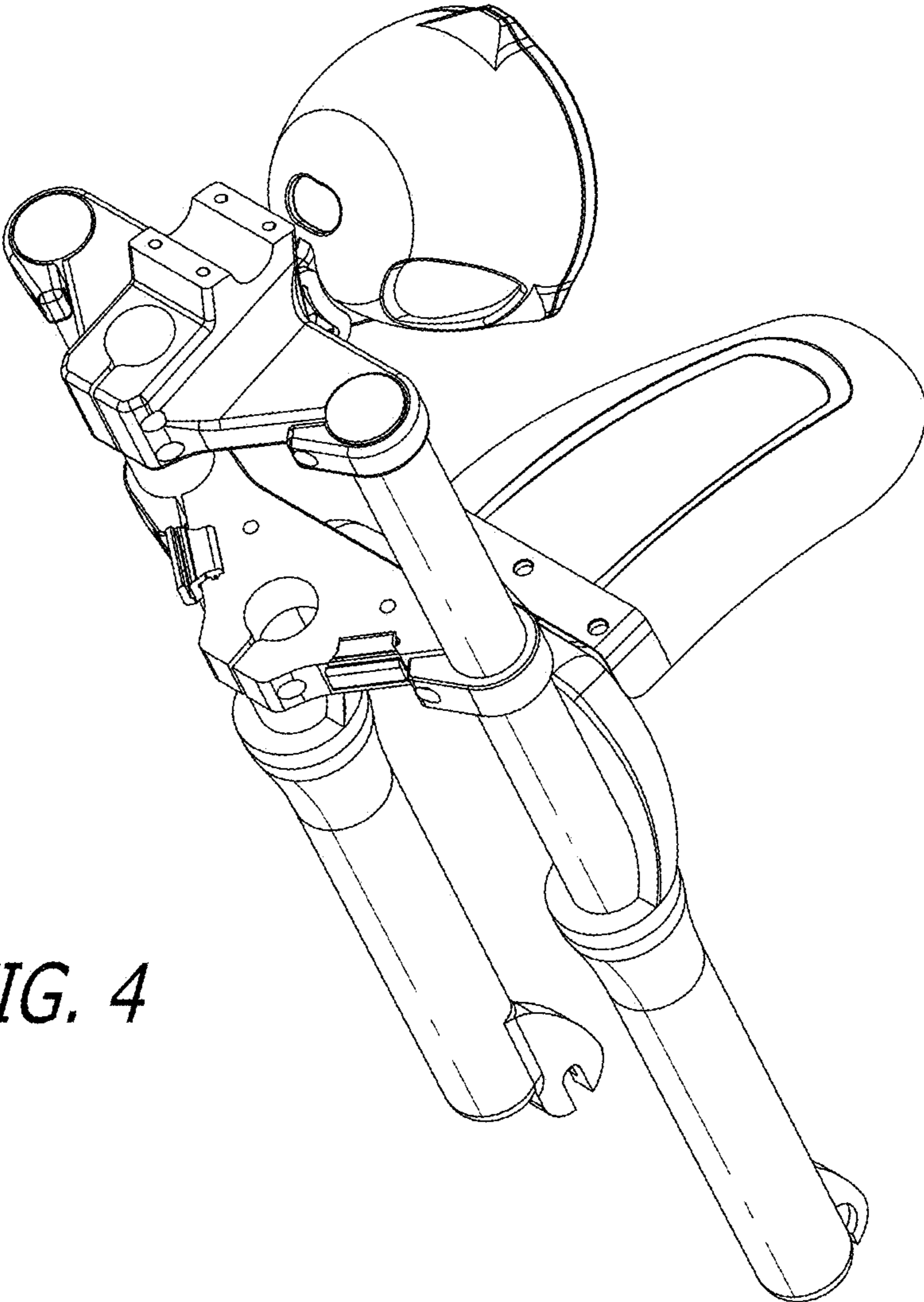


FIG. 4

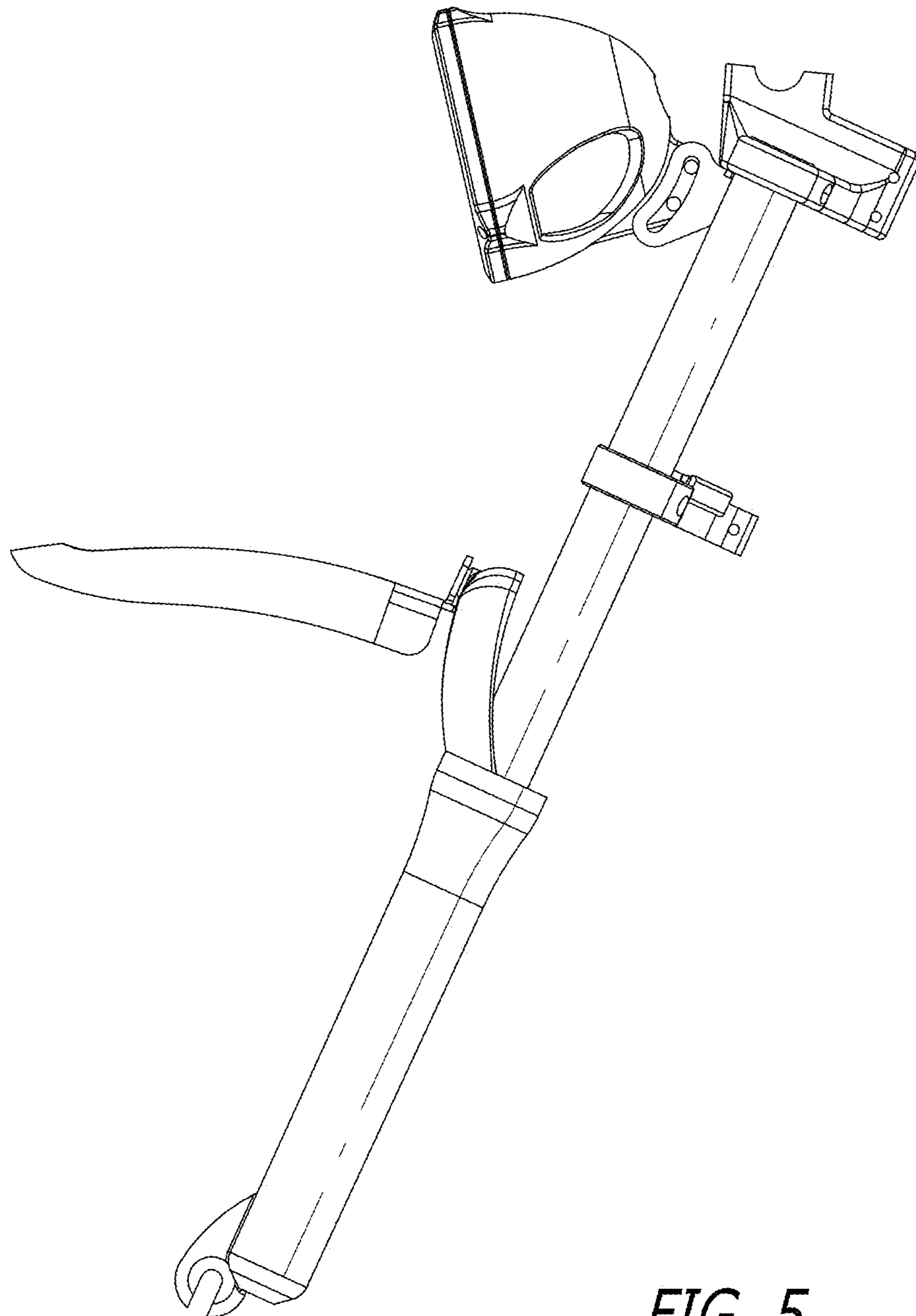


FIG. 5

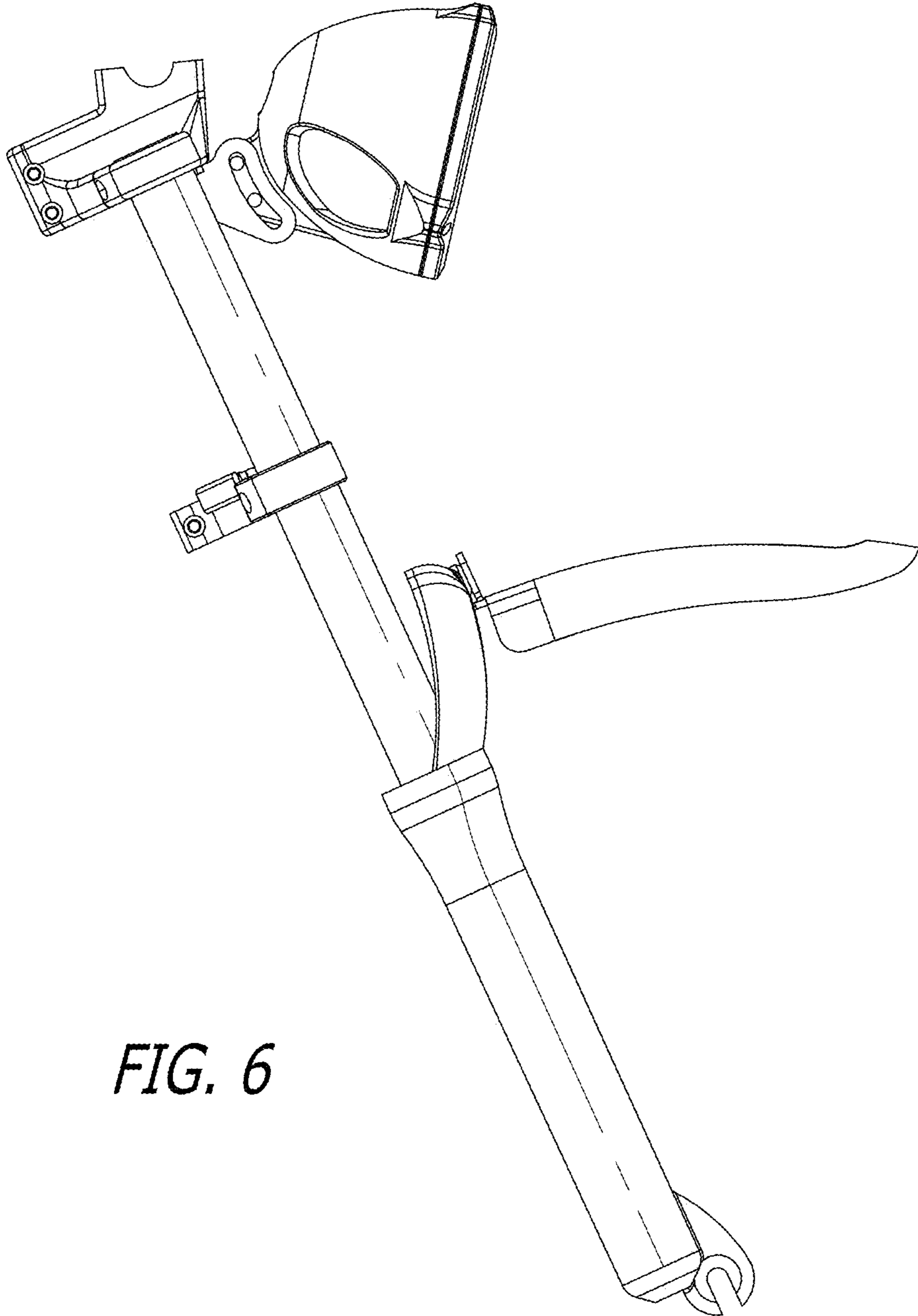


FIG. 6

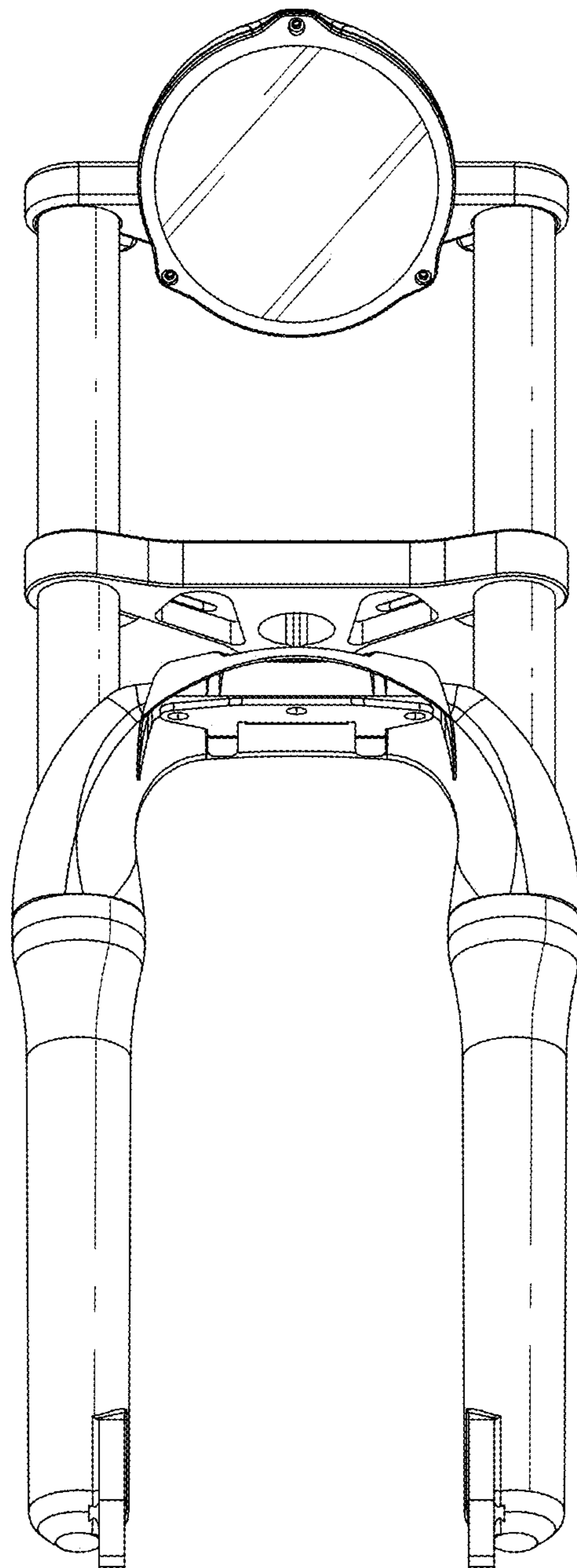


FIG. 7

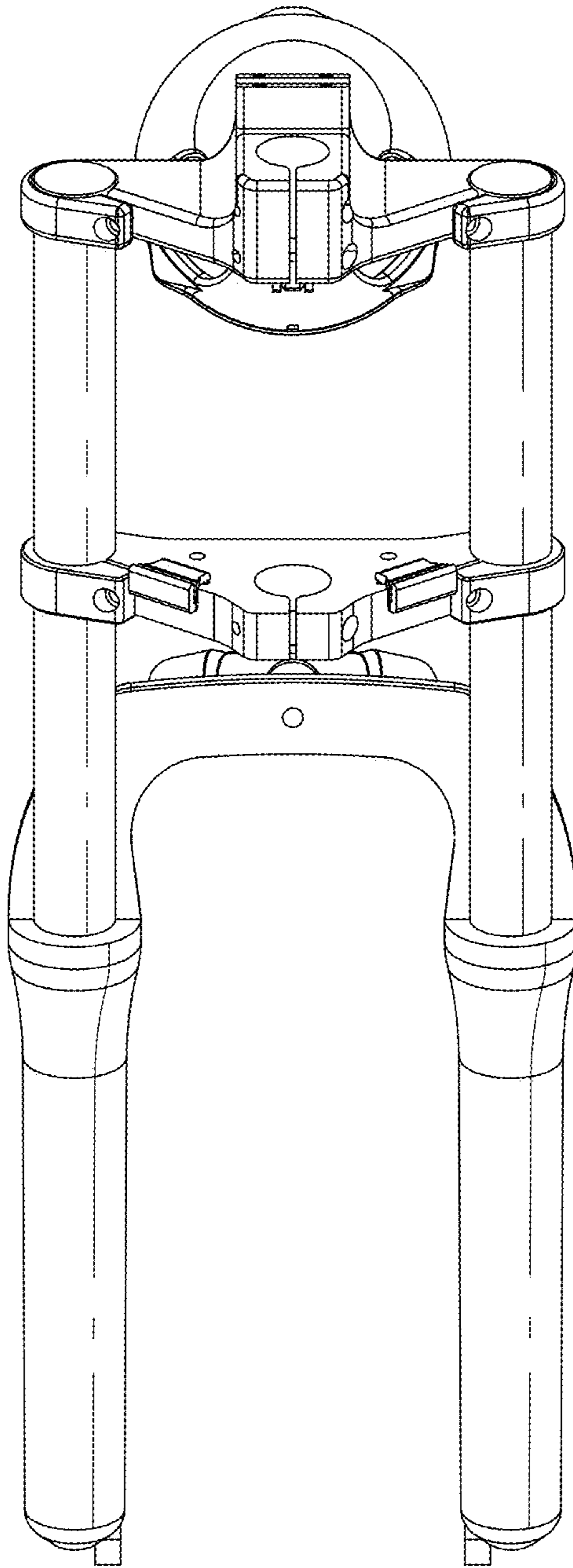


FIG. 8

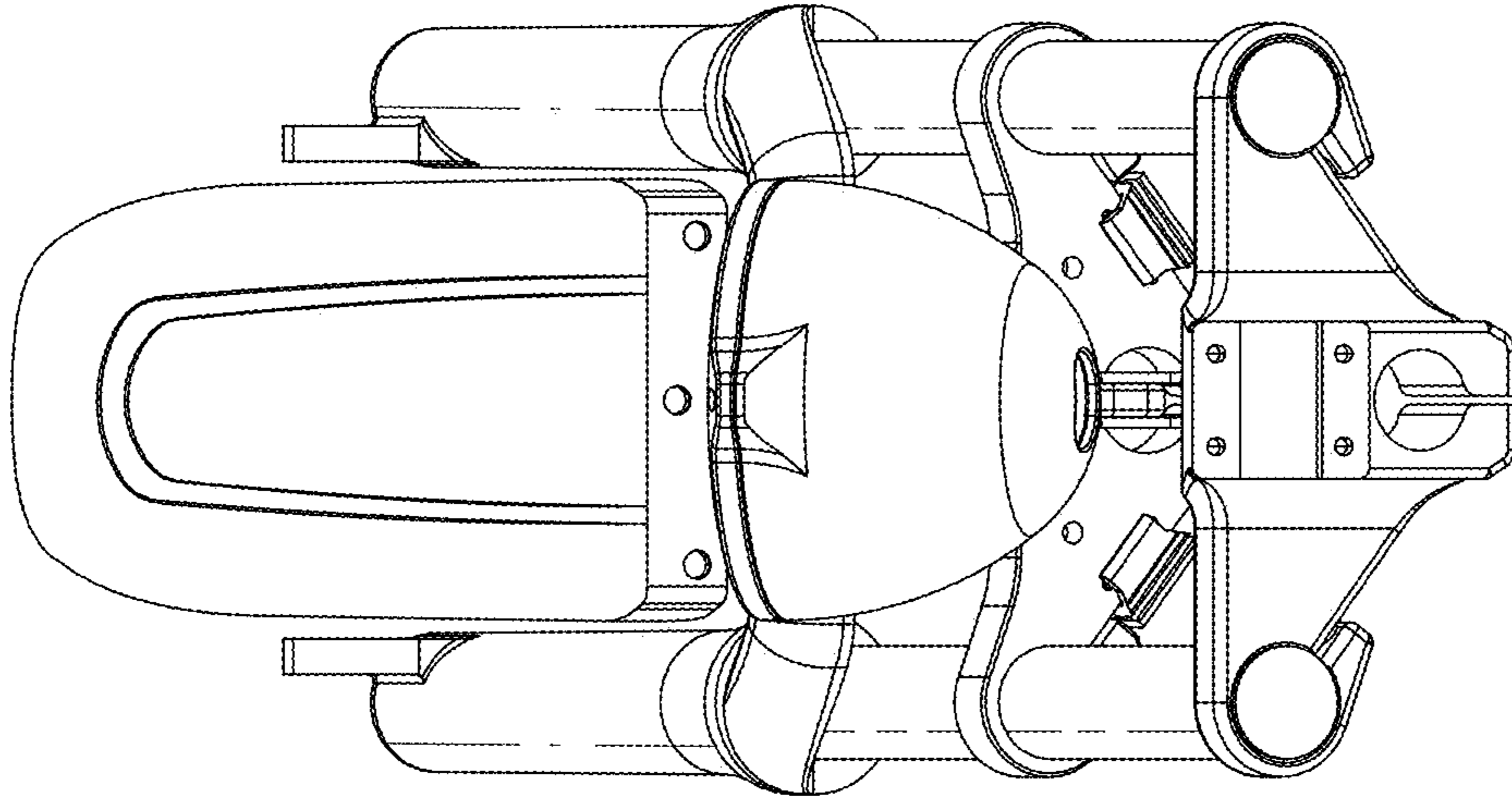


FIG. 9

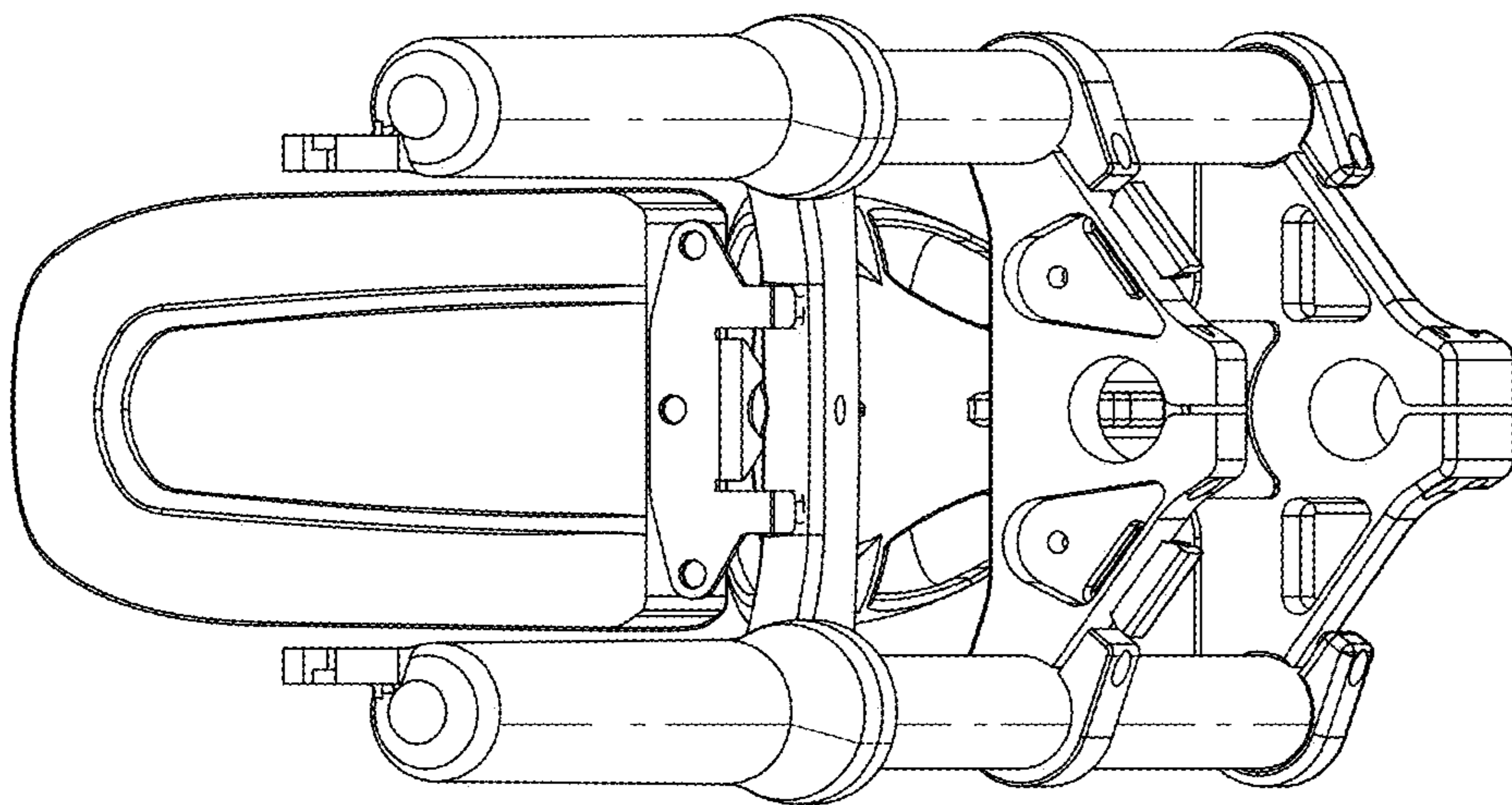


FIG. 10