



US00D924734S

(12) **United States Design Patent**  
**Kitayama**

(10) **Patent No.:** **US D924,734 S**  
(45) **Date of Patent:** **\*\* Jul. 13, 2021**

(54) **FRAME FOR ELECTRICALLY POWER ASSISTED BICYCLE**

(71) Applicant: **YAMAHA HATSUDOKI KABUSHIKI KAISHA**, Shizuoka-ken (JP)

(72) Inventor: **Ryohei Kitayama**, Shizuoka-ken (JP)

(73) Assignee: **YAMAHA HATSUDOKI KABUSHIKI KAISHA**

(\*\*) Term: **15 Years**

(21) Appl. No.: **29/728,712**

(22) Filed: **Mar. 20, 2020**

(30) **Foreign Application Priority Data**

Sep. 30, 2019 (JP) ..... 2019-021788

(51) **LOC (13) Cl.** ..... **12-11**

(52) **U.S. Cl.**  
USPC ..... **D12/111**

(58) **Field of Classification Search**  
USPC ..... D12/111; D21/412, 414, 419, 423-428, D21/431-435  
CPC ... B62K 3/00; B62K 3/02; B62K 3/06; B62K 9/00; B62K 19/14  
See application file for complete search history.

(56) **References Cited**

**U.S. PATENT DOCUMENTS**

D419,492 S *	1/2000	Egger	.....	D12/111
D517,452 S *	3/2006	Hickman	.....	D12/111
D632,615 S *	2/2011	Uimonen	.....	D12/111
D637,527 S *	5/2011	Choi	.....	D12/111
D662,011 S *	6/2012	D'Aluisio	.....	D12/111
D662,445 S *	6/2012	Uimonen	.....	D12/111
D667,347 S *	9/2012	Simko	.....	D12/111
D719,488 S *	12/2014	Stafford	.....	D12/111

D719,880 S *	12/2014	Juarez	.....	D12/111
D726,075 S *	4/2015	D'Aluisio	.....	D12/111
D734,218 S *	7/2015	D'Aluisio	.....	D12/111
D766,136 S *	9/2016	Jankura	.....	D12/111
D774,970 S *	12/2016	D'Aluisio	.....	D12/111
D797,610 S *	9/2017	Jankura	.....	D12/111
D802,487 S *	11/2017	Petrov	.....	D12/111

(Continued)

**OTHER PUBLICATIONS**

“Emoji Cougar Electric Mountain Bike” Emoji., posted date Mar. 28, 2018 [online], [retrieved on Mar. 25, 2021]. Retrieved from the Internet <URL:https://ebikegeneration.com/products/emoji-cougar-electric-mountain-bike> (Year: 2018).\*

(Continued)

*Primary Examiner* — Darlington Ly

*Assistant Examiner* — Nasim Abdulaziz Ali

(74) *Attorney, Agent, or Firm* — Ostrolenk Faber LLP

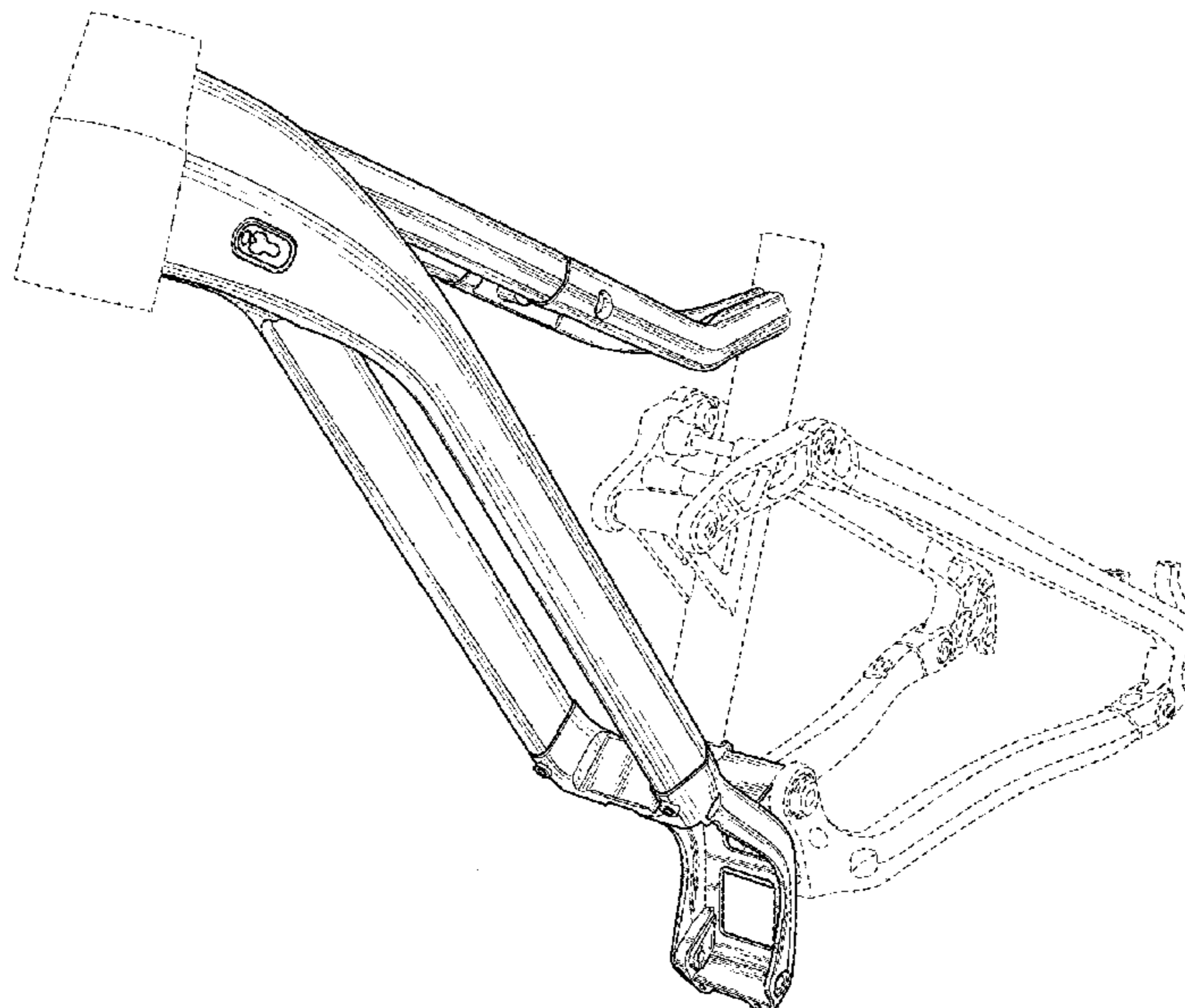
(57) **CLAIM**

The ornamental design for a frame for electrically power assisted bicycle, as shown and described.

**DESCRIPTION**

FIG. 1 is a left side, bottom perspective view of a frame for electrically power assisted bicycle showing my new design; FIG. 2 is a right side, top perspective view thereof; FIG. 3 is a left side elevational view thereof; FIG. 4 is a right side elevational view thereof; FIG. 5 is a front elevational view thereof; FIG. 6 is a rear elevation view thereof; FIG. 7 is a top plan view thereof; and, FIG. 8 is a bottom plan view thereof. The broken lines in the drawings illustrate portions of the frame for electrically power assisted bicycle that form no part of the claimed design.

**1 Claim, 8 Drawing Sheets**



(56)

**References Cited**

## U.S. PATENT DOCUMENTS

D843,893 S \* 3/2019 Reiter ..... D12/111  
D858,359 S \* 9/2019 Lentz ..... D12/111  
D865,574 S \* 11/2019 Russell ..... D12/111  
D885,986 S \* 6/2020 Chan ..... D12/111  
10,737,740 B2 \* 8/2020 D'Aluisio ..... B62K 21/04  
D904,234 S \* 12/2020 von Schoning ..... D12/111  
D906,890 S \* 1/2021 Duez ..... D12/111  
D906,893 S \* 1/2021 Lin ..... D12/111  
D908,046 S \* 1/2021 Callahan ..... D12/111  
D909,257 S \* 2/2021 Munoz ..... D12/111  
D909,921 S \* 2/2021 Stafford ..... D12/111

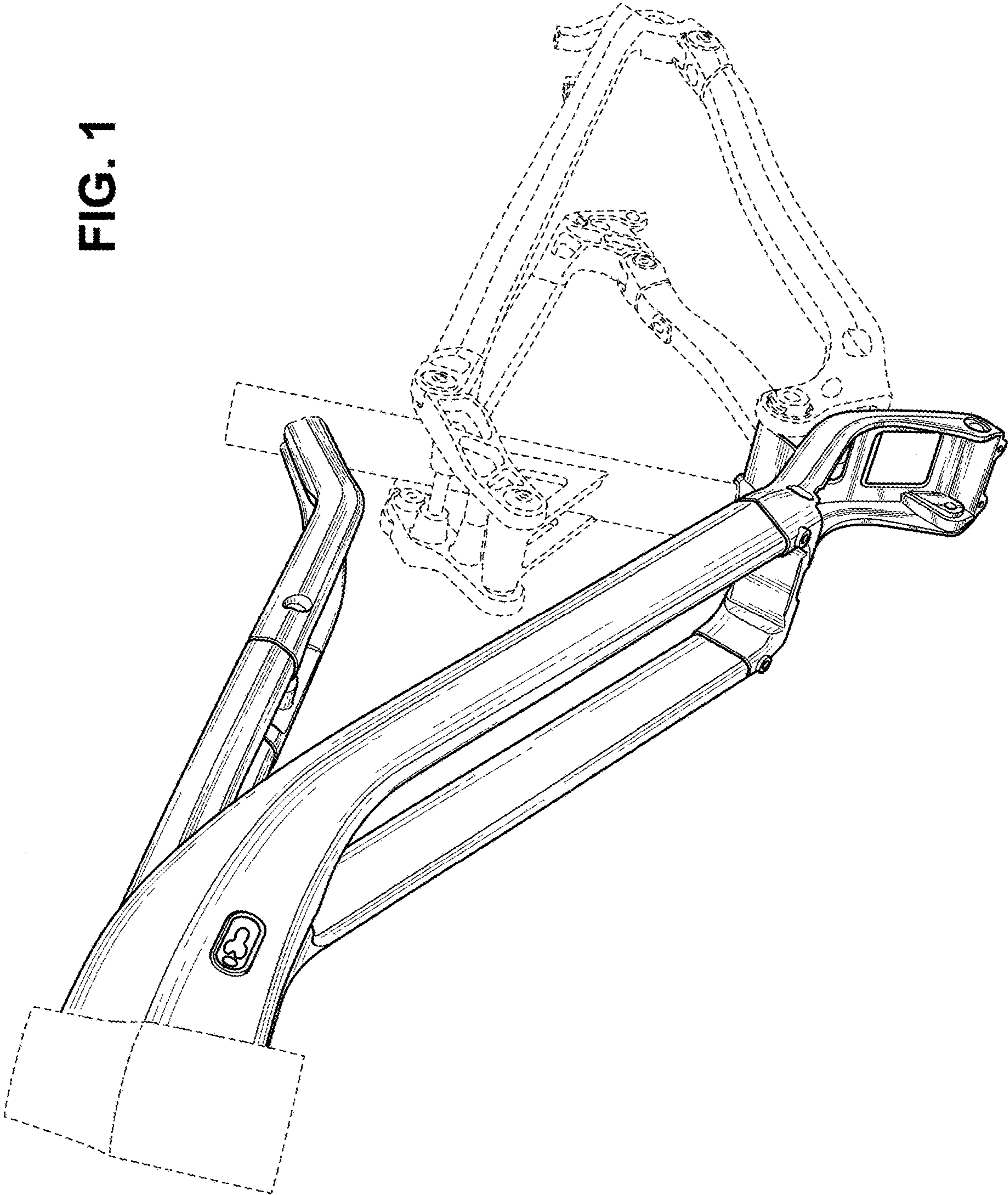
## OTHER PUBLICATIONS

“Full Suspension Mid Drive Enduro Carbon Ebike Frame Fit Bafang Motor” Superroad., posted date Dec. 26, 2019 [online], [retrieved on Mar. 25, 2021]. Retrieved from the Internet <URL:https://www.superroadbikes.com/full-suspension-mid-drive-enduro-carbon-ebike-frame-fit-bafang-motor\_p219.html> (Year: 2019).\*

“Top 10 Electric Mountain Bikes for 2018” San Diego Fly Rides., posted date Jan. 8, 2018 [online], [retrieved on Mar. 25, 2021]. Retrieved from the Internet <URL:https://sandiegoflyrides.com/top-10-electric-mountain-bikes-2018/> (Year: 2018).\*

\* cited by examiner

FIG. 1





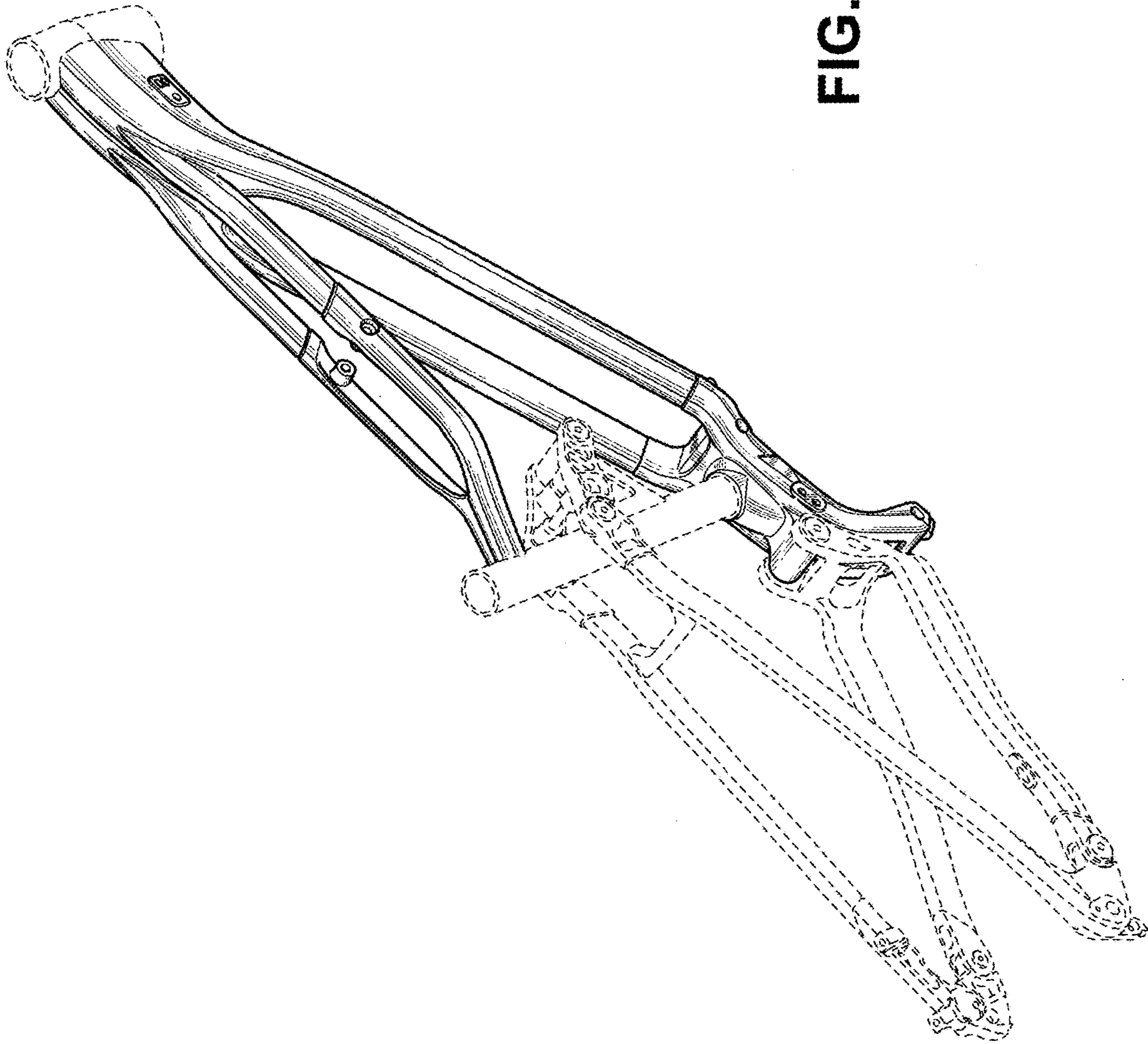
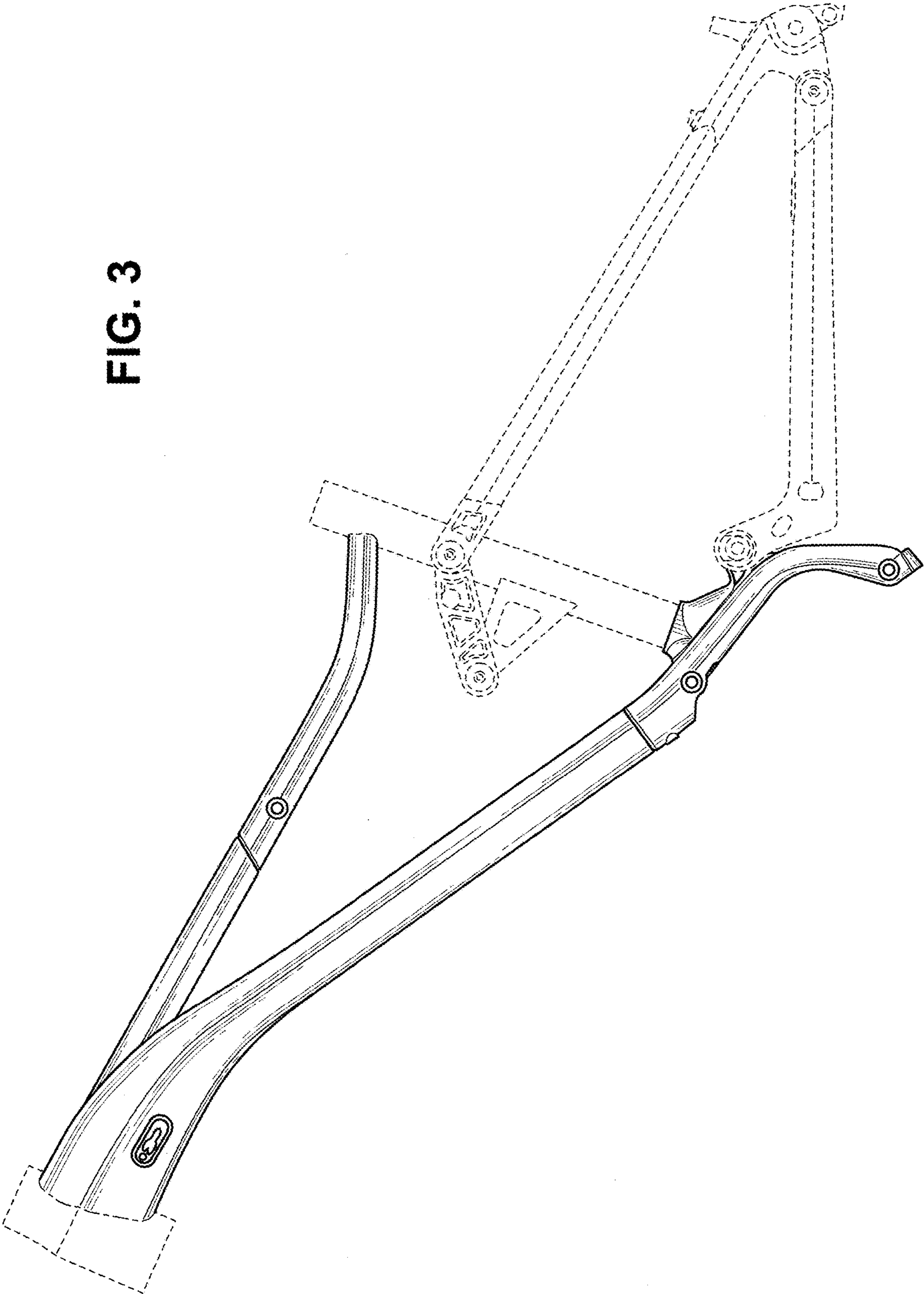


FIG. 2

FIG. 3



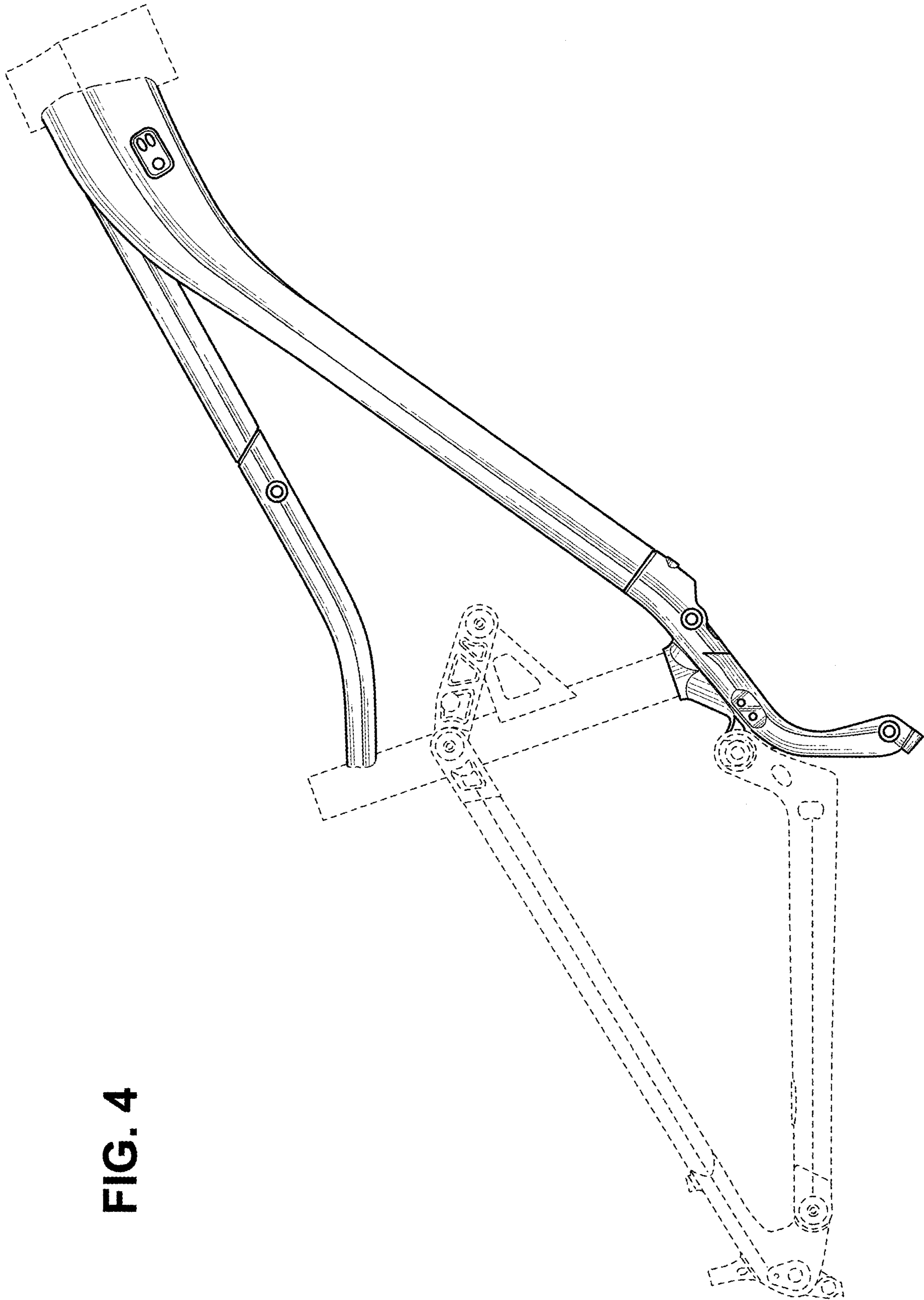


FIG. 4

FIG. 5

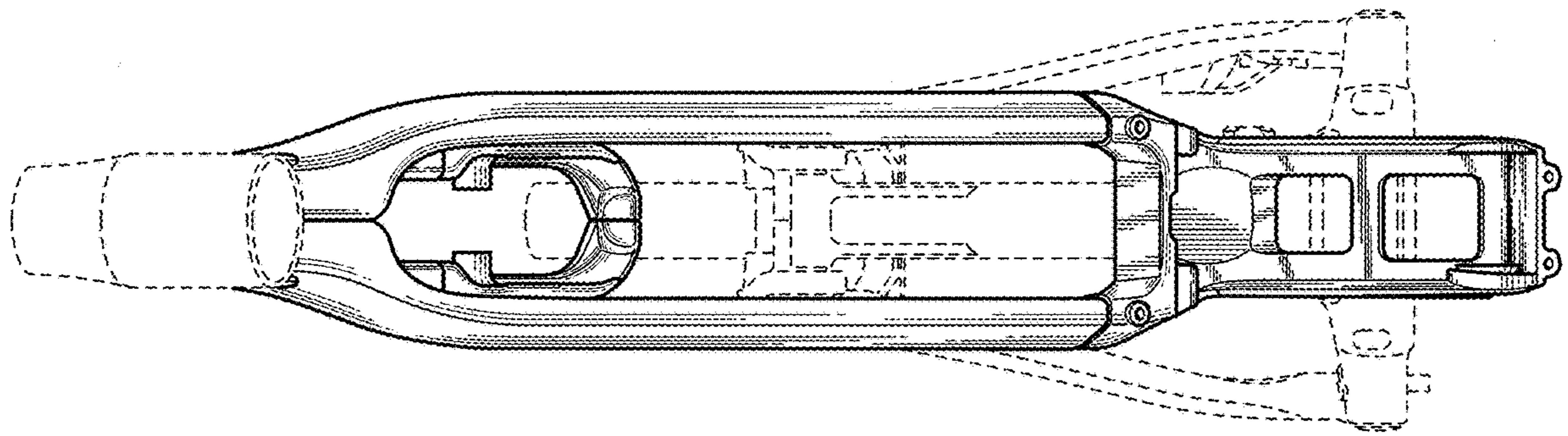




FIG. 6

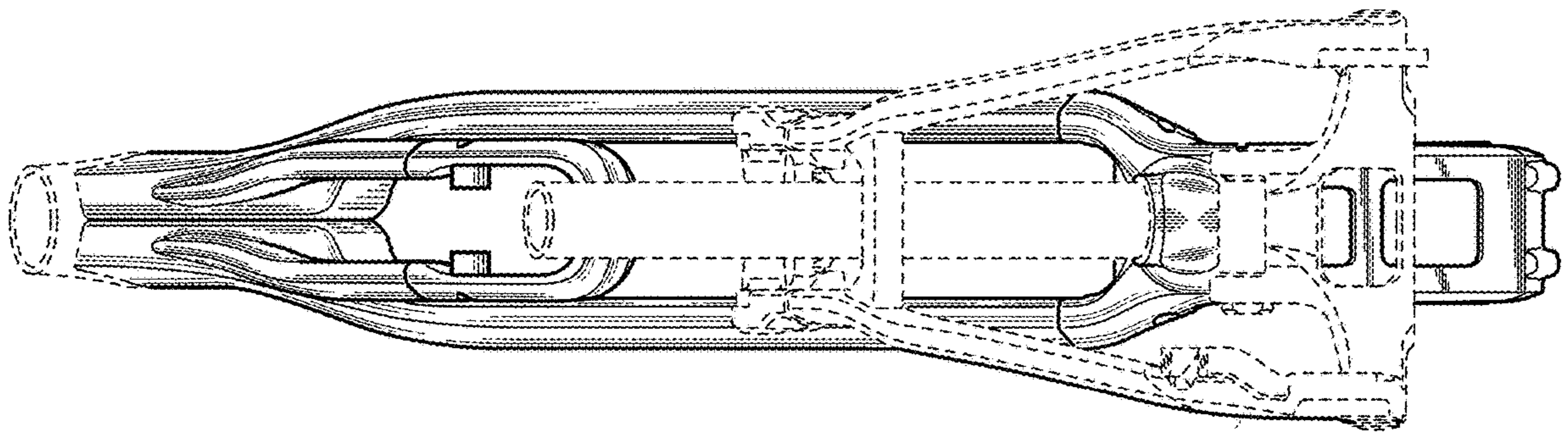




FIG. 7

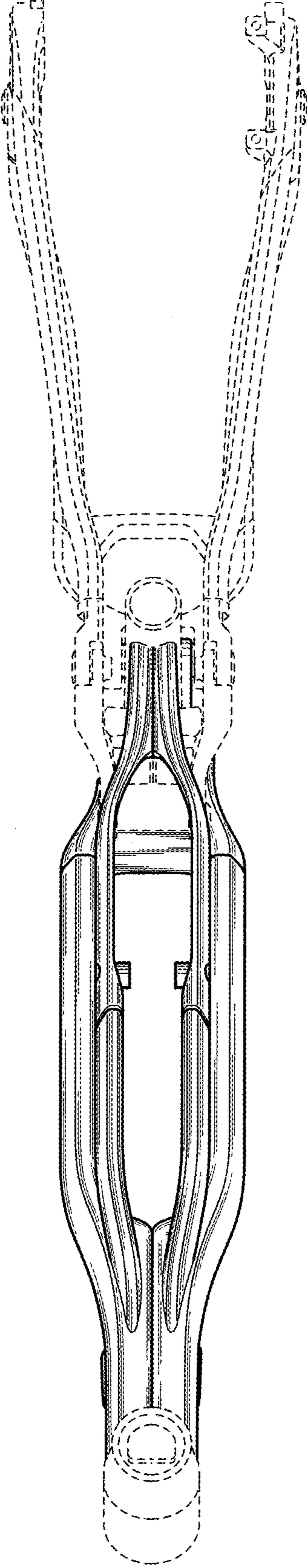


FIG. 8

