



US00D924733S

(12) **United States Design Patent**  
**Lin**

(10) **Patent No.:** **US D924,733 S**  
(45) **Date of Patent:** **\*\* Jul. 13, 2021**

(54) **ELECTRIC BICYCLE**

(71) Applicant: **Guangzhou Myatu Pedelec Technology Co., Ltd**, Guangdong (CN)

(72) Inventor: **Guoai Lin**, Guangdong (CN)

(73) Assignee: **Guangzhou Myatu Pedelec Technology Co., Ltd**, Guangzhou (CN)

(\*\*) Term: **15 Years**

(21) Appl. No.: **29/714,156**

(22) Filed: **Nov. 21, 2019**

(51) **LOC (13) Cl.** ..... **12-11**

(52) **U.S. Cl.**  
USPC ..... **D12/111**

(58) **Field of Classification Search**  
USPC ..... D12/111, 117; D21/412, 414, 419, D21/423-428, 431-435  
CPC . B62K 3/00; B62K 3/005; B62K 9/00; B62K 19/00; B62K 19/02; B62K 19/04; B62K 19/06; B62K 19/16  
See application file for complete search history.

(56) **References Cited**

**U.S. PATENT DOCUMENTS**

D301,438 S *	6/1989	Hanamura	.....	D12/111
D386,724 S *	11/1997	Affolter	.....	D12/111
D548,141 S *	8/2007	Pizzi	.....	D12/111
D551,130 S *	9/2007	Pizzi	.....	D12/111
D621,303 S *	8/2010	Tanaka	.....	D12/111
D670,208 S *	11/2012	Frenzel	.....	D12/111
D720,260 S *	12/2014	Yoshida	.....	D12/111
D837,695 S *	1/2019	Xiao	.....	D12/111
D845,178 S *	4/2019	Yan	.....	D12/111
D850,982 S *	6/2019	Zhu	.....	D12/111
D850,983 S *	6/2019	Zhu	.....	D12/111
D879,668 S *	3/2020	Wu	.....	D12/111
D906,892 S *	1/2021	Lin	.....	D12/111

**OTHER PUBLICATIONS**

“26 inch Electric Bike for Adults” ANCHEER., posted date Oct. 12, 2018 [online], [retrieved on Mar. 11, 2021], Retrieved from the Internet <URL:https://www.amazon.com/dp/B07HJXY45D/ref=as\_li\_ss\_tl?ie=UTF8&linkCode=111&tag=1d0f3-20&linkId=0c012d1fce72fb57826aa239bb5a0703&language=en\_US> (Year: 2018).\*

“Hotebike 48V 500W Electric Bike” HOTEBIKE., posted date Sep. 28, 2018 [online], [retrieved on Mar. 11, 2021], Retrieved from the Internet <URL: https://www.amazon.ca/HOTEBIKE-Electric-Removable-Lithium-Ion-Powerful/dp/B07GS2S5QR> (Year: 2018).\*

“Factory Supply 26" electric bike” Global Sources., posted date Jan. 22, 2016 [online], [retrieved on Mar. 11, 2021], Retrieved from the Internet <URL: https://www.globalsources.com/Electric-bike/battery-electric-bike-1174577712p.htm#1174577712> (Year: 2016).\*

\* cited by examiner

*Primary Examiner* — Darlington Ly

*Assistant Examiner* — Nasim Abdulaziz Ali

(57) **CLAIM**

The ornamental design for an electric bicycle, as shown and described.

**DESCRIPTION**

FIG. 1 is a front and right side perspective view of an electric bicycle embodying my new design;

FIG. 2 is a front and left side perspective view thereof;

FIG. 3 is a right side elevation view thereof;

FIG. 4 is a left side elevation view thereof;

FIG. 5 is a front elevation view thereof;

FIG. 6 is a rear elevation view thereof;

FIG. 7 is a top plan view thereof; and,

FIG. 8 is a bottom plan view thereof.

The broken lines in the drawings illustrate portions of the electric bicycle that form no part of the claimed design.

**1 Claim, 8 Drawing Sheets**

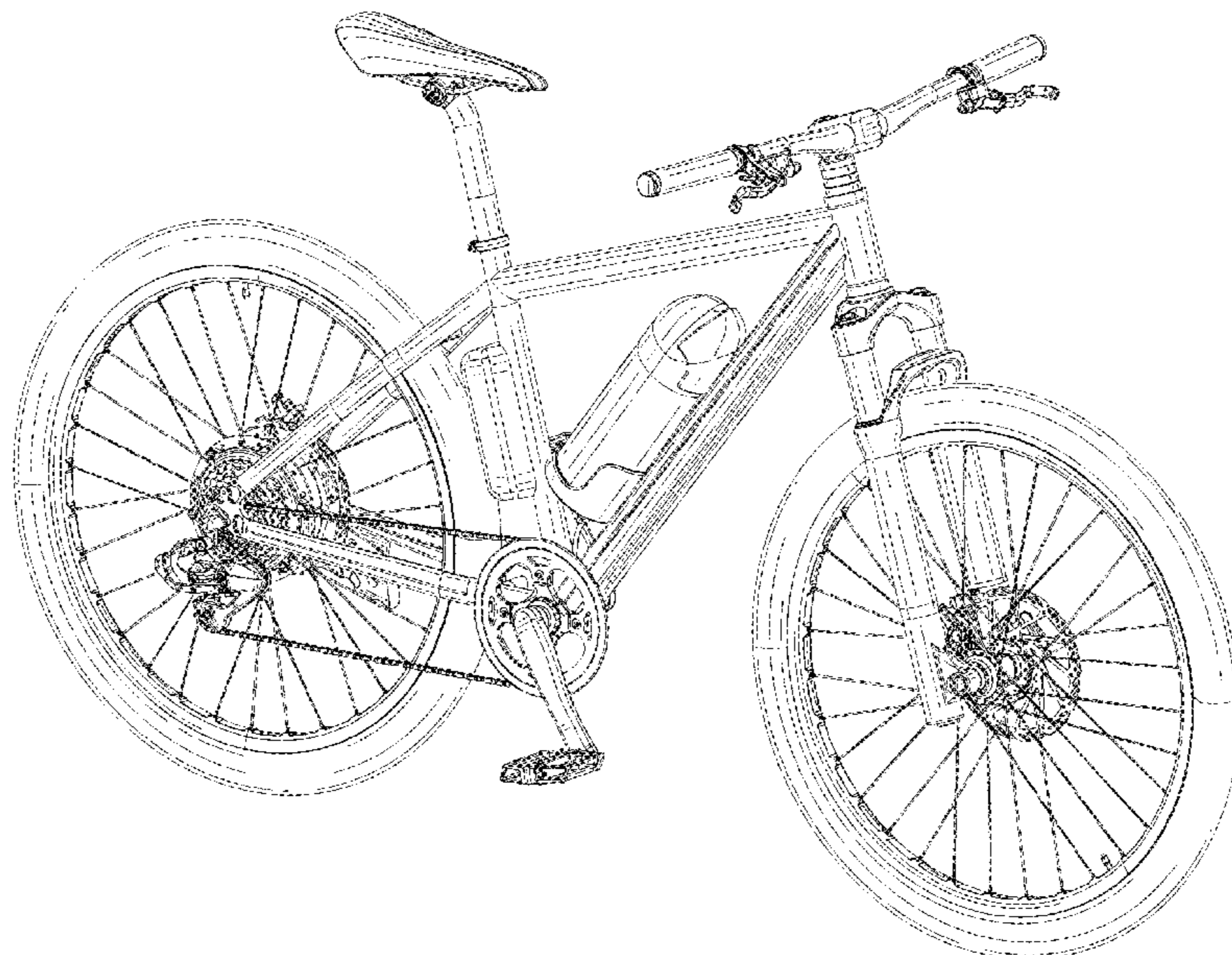




FIG. 1



FIG. 2

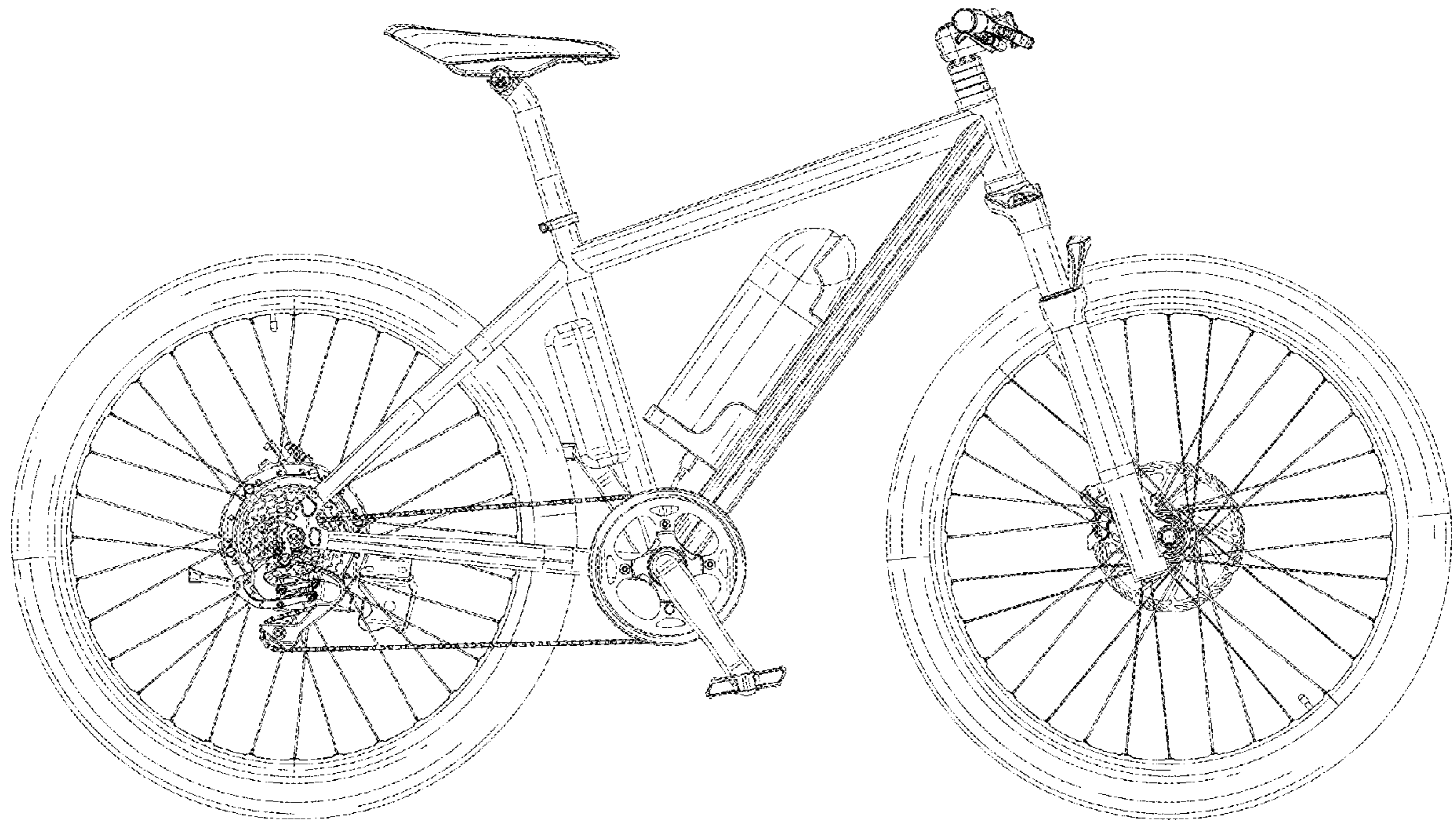


FIG. 3

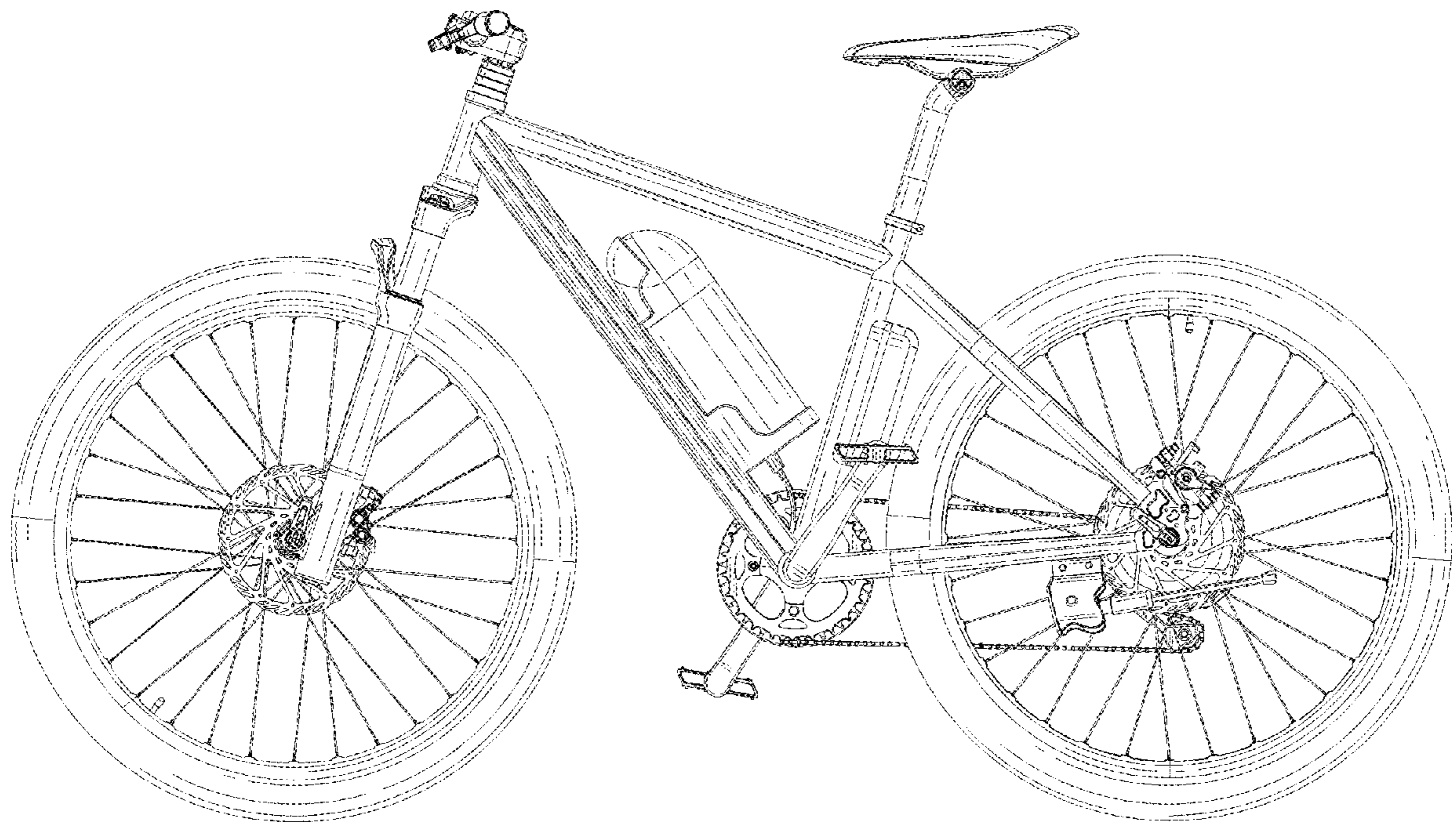


FIG. 4

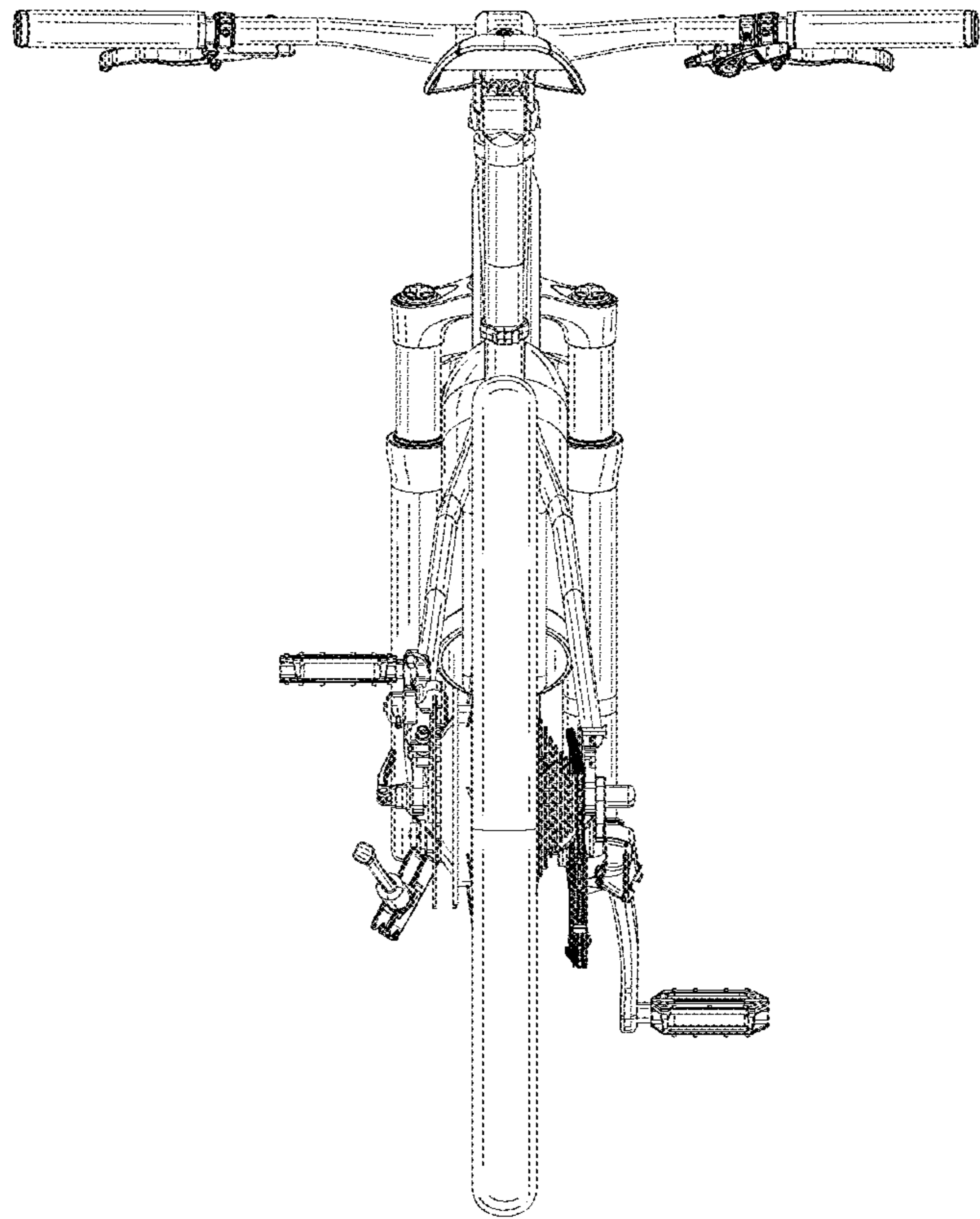


FIG. 5

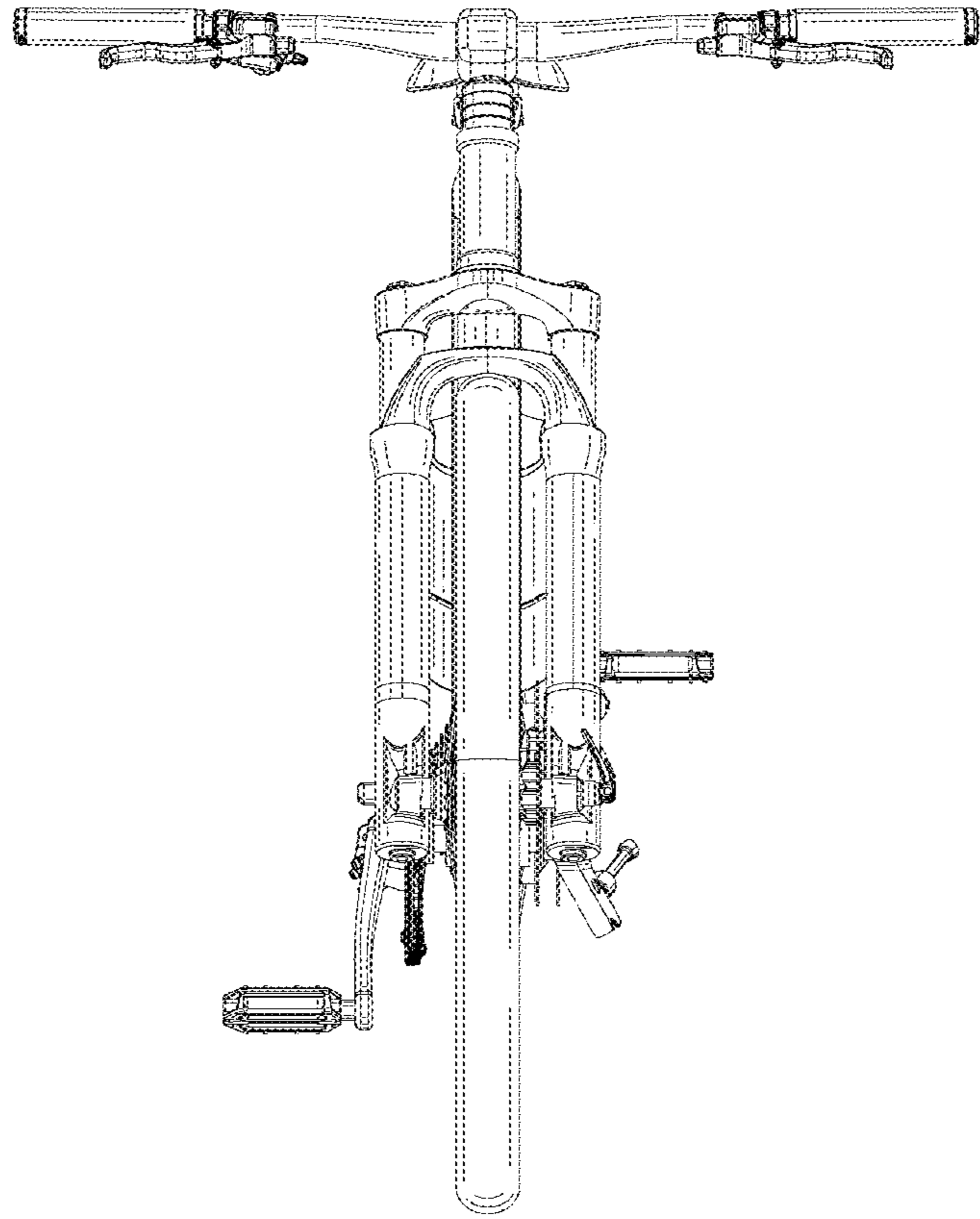


FIG. 6

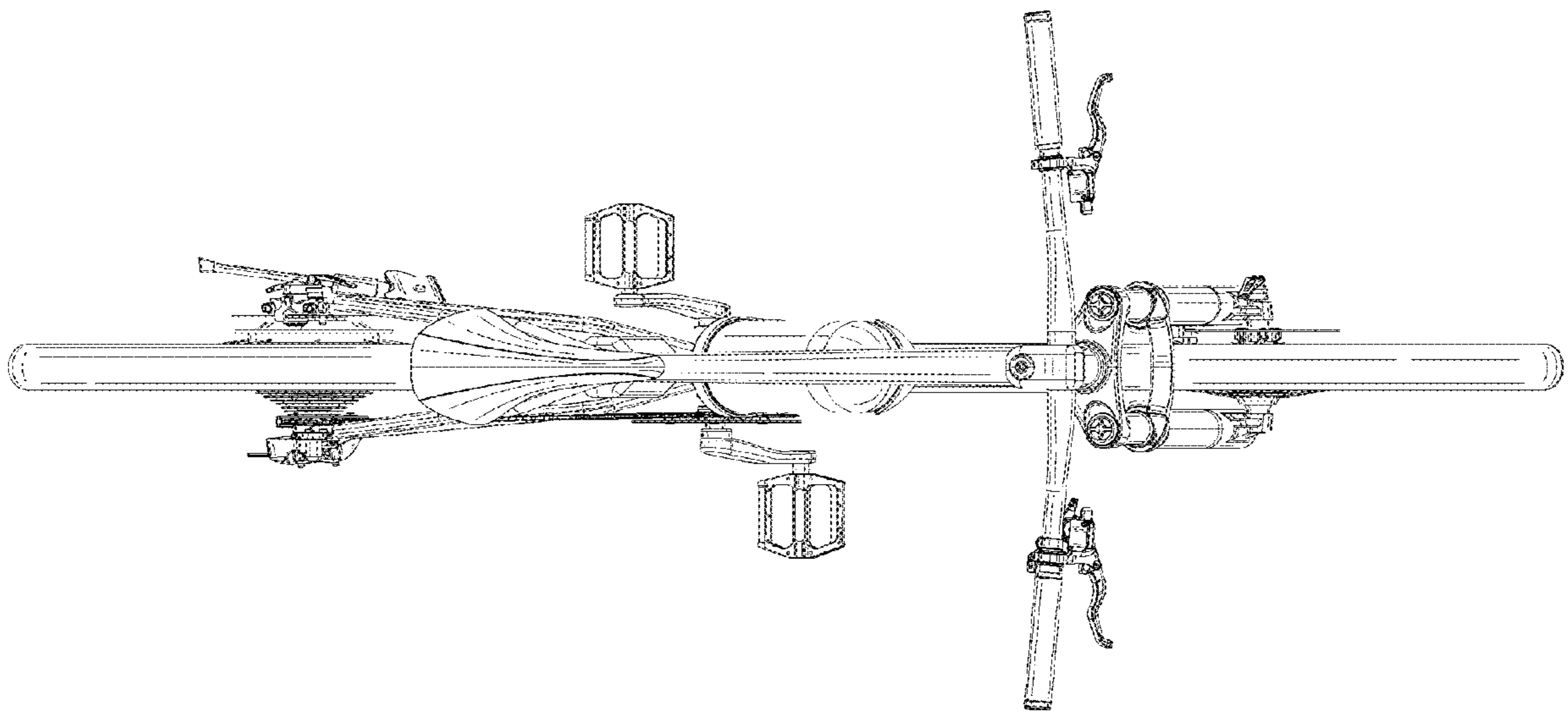


FIG. 7



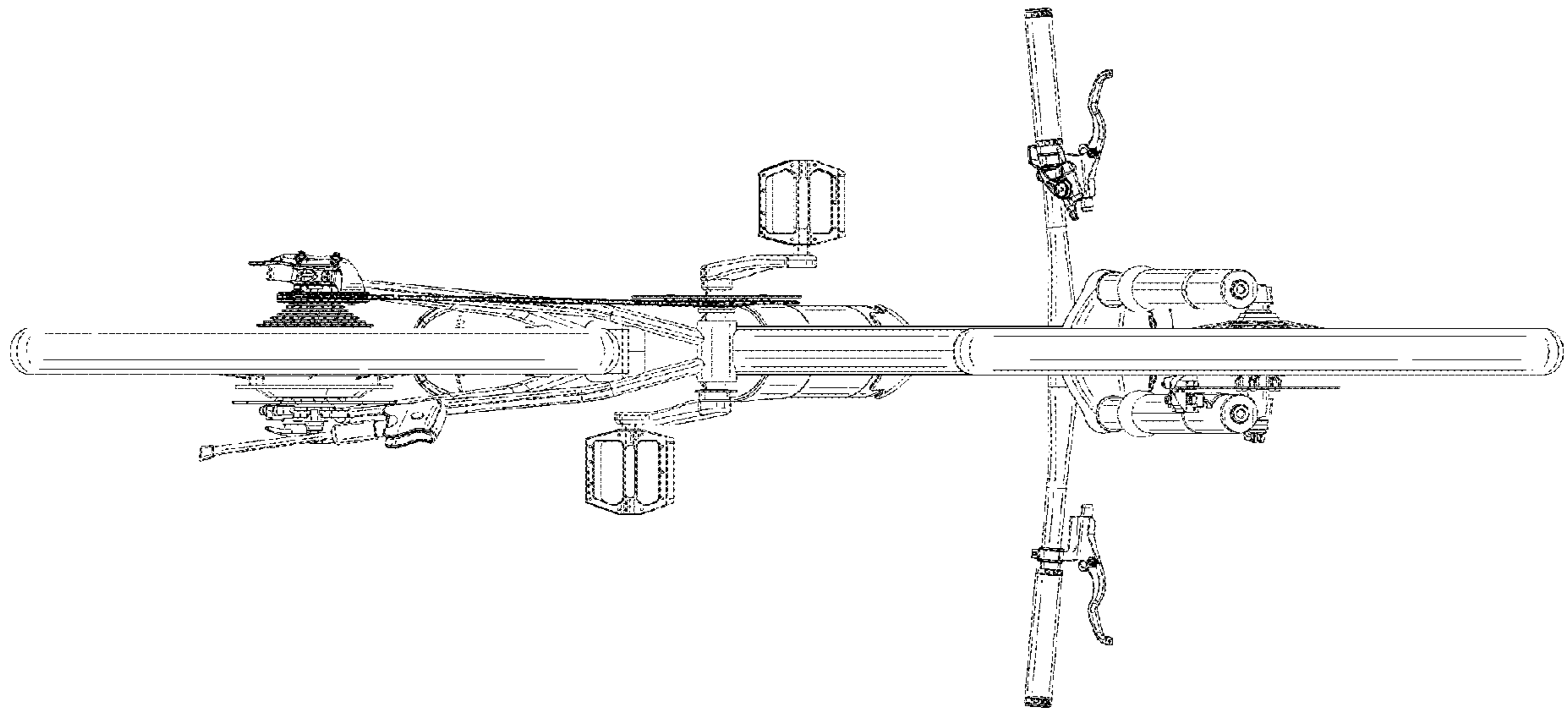


FIG. 8