



US00D924732S

(12) **United States Design Patent**  
**Lin**

(10) **Patent No.:** **US D924,732 S**

(45) **Date of Patent:** **\*\* Jul. 13, 2021**

(54) **ELECTRIC BICYCLE**

D900,680 S \* 11/2020 Chen ..... D12/111  
D902,788 S \* 11/2020 Song ..... D12/111  
D903,532 S \* 12/2020 Ma ..... D12/111

(71) Applicant: **Guangzhou Myatu Pedelec Technology Co., Ltd**, Guangdong (CN)

(72) Inventor: **Guoai Lin**, Guangdong (CN)

(73) Assignee: **Guangzhou Myatu Pedelec Technology Co., Ltd**, Guangzhou (CN)

(\*\*) Term: **15 Years**

(21) Appl. No.: **29/714,152**

(22) Filed: **Nov. 21, 2019**

(51) **LOC (13) Cl.** ..... **12-11**

(52) **U.S. Cl.**  
USPC ..... **D12/111**

(58) **Field of Classification Search**  
USPC ..... D12/107, 110, 111, 117  
CPC . B62K 3/00; B62K 3/005; B62K 9/00; B62K 19/00; B62K 19/02; B62K 19/04; B62K 19/06; B62K 19/16

See application file for complete search history.

(56) **References Cited**

**U.S. PATENT DOCUMENTS**

D487,234 S	*	3/2004	Chen	.....	D12/111
D498,438 S	*	11/2004	Ying	.....	D12/111
D614,084 S	*	4/2010	Tanaka	.....	D12/111
D620,401 S	*	7/2010	Haller	.....	D12/111
D621,302 S	*	8/2010	Tanaka	.....	D12/111
D650,724 S	*	12/2011	Chiang	.....	D12/111
D694,156 S	*	11/2013	Taipalus	.....	D12/111
D727,214 S	*	4/2015	Yang	.....	D12/111
D727,215 S	*	4/2015	Yang	.....	D12/111
D774,972 S	*	12/2016	Lambri	.....	D12/111
D833,333 S	*	11/2018	Yu	.....	D12/111
D833,916 S	*	11/2018	Yu	.....	D12/111
D843,269 S	*	3/2019	Shi	.....	D12/111
D847,032 S	*	4/2019	Yan	.....	D12/111
D847,033 S	*	4/2019	Yan	.....	D12/111
D863,114 S	*	10/2019	Hu	.....	D12/111

**OTHER PUBLICATIONS**

“Sinch Foldable Ebike” Aventon., posted date Jun. 19, 2020 [online], [retrieved on Mar. 8, 2021]. Retrieved from the Internet <URL: <https://tinyurl.com/tbmssxkw>> (Year: 2020).\*

“14” aluminum alloy frame Adult Foldable Electric Bicycle” Global Sources., posted date Jan. 22, 2016 [online], [retrieved on Mar. 8, 2021]. Retrieved from the Internet <URL: <https://www.globalsources.com/Electric-bike/buy-bicycles-1174634155p.htm#1174634155>> (Year: 2016).\*

“14inch Folding Electric Bike” Myatu Moped Tech., posted date Nov. 4, 2020 [online], [retrieved on Mar. 8, 2021]. Retrieved from the Internet <URL: <https://www.myatugroup.com/14inch-folding-electric-bike/58467357.html>> (Year: 2020).\*

\* cited by examiner

*Primary Examiner* — Darlington Ly

*Assistant Examiner* — Nasim Abdulaziz Ali

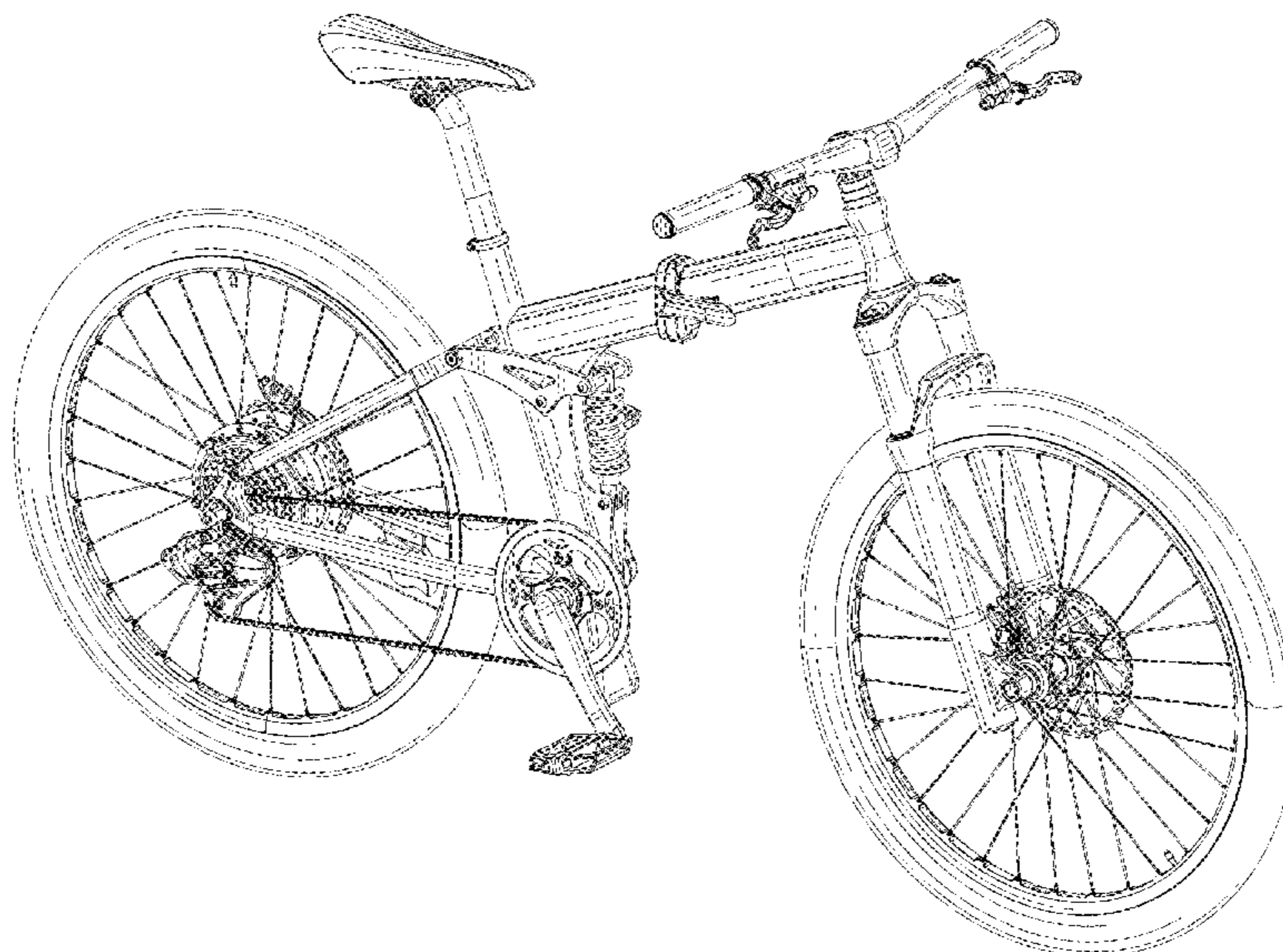
(57) **CLAIM**

The ornamental design for an electric bicycle, as shown and described.

**DESCRIPTION**

FIG. 1 is a front and right side perspective view of an electric bicycle embodying my new design;  
FIG. 2 is a front and left side perspective view thereof;  
FIG. 3 is a right side elevation view thereof;  
FIG. 4 is a left side elevation view thereof;  
FIG. 5 is a front elevation view thereof;  
FIG. 6 is a rear elevation view thereof;  
FIG. 7 is a top plan view thereof; and,  
FIG. 8 is a bottom plan view thereof.

**1 Claim, 8 Drawing Sheets**



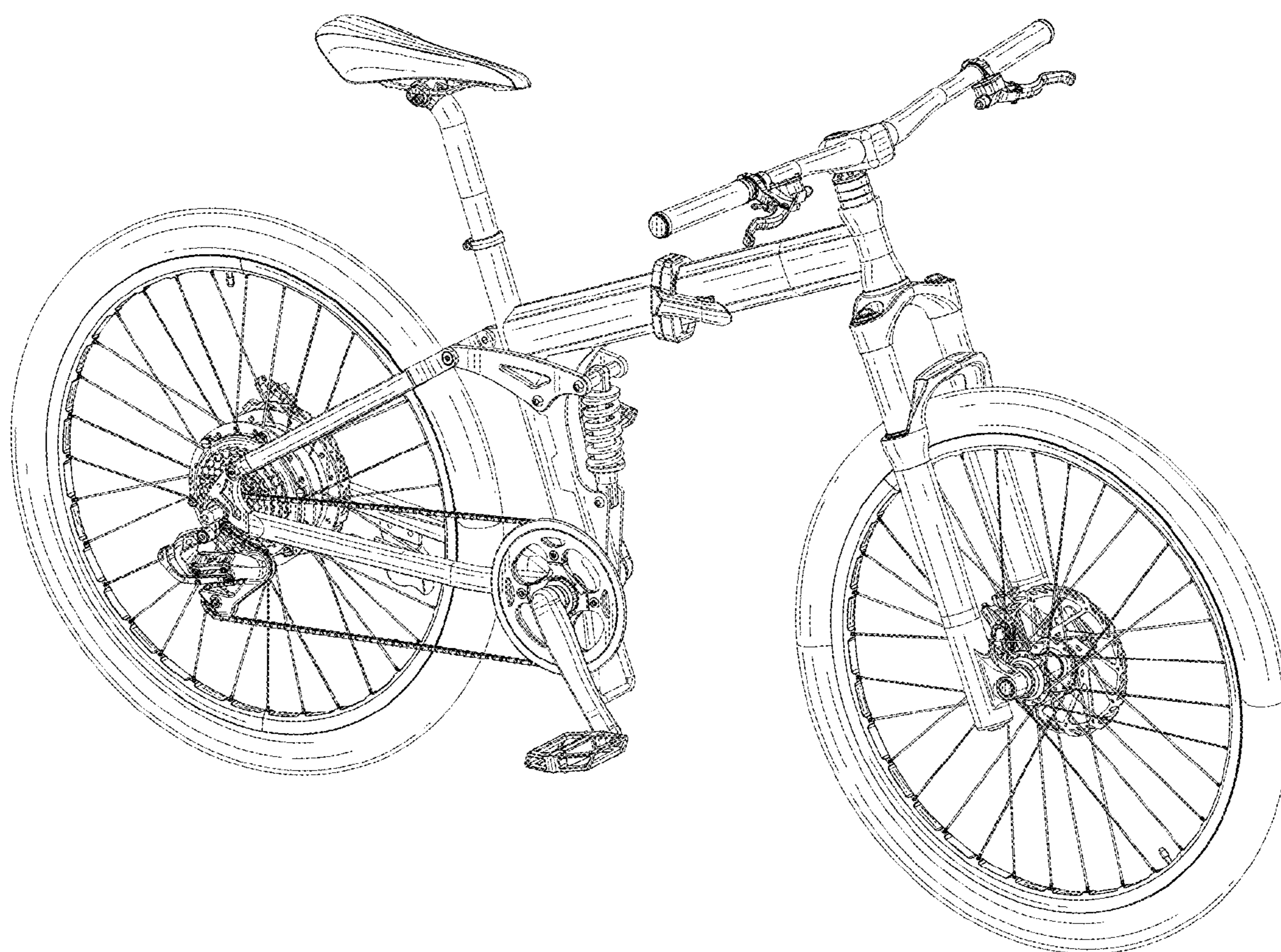


FIG. 1



FIG. 2

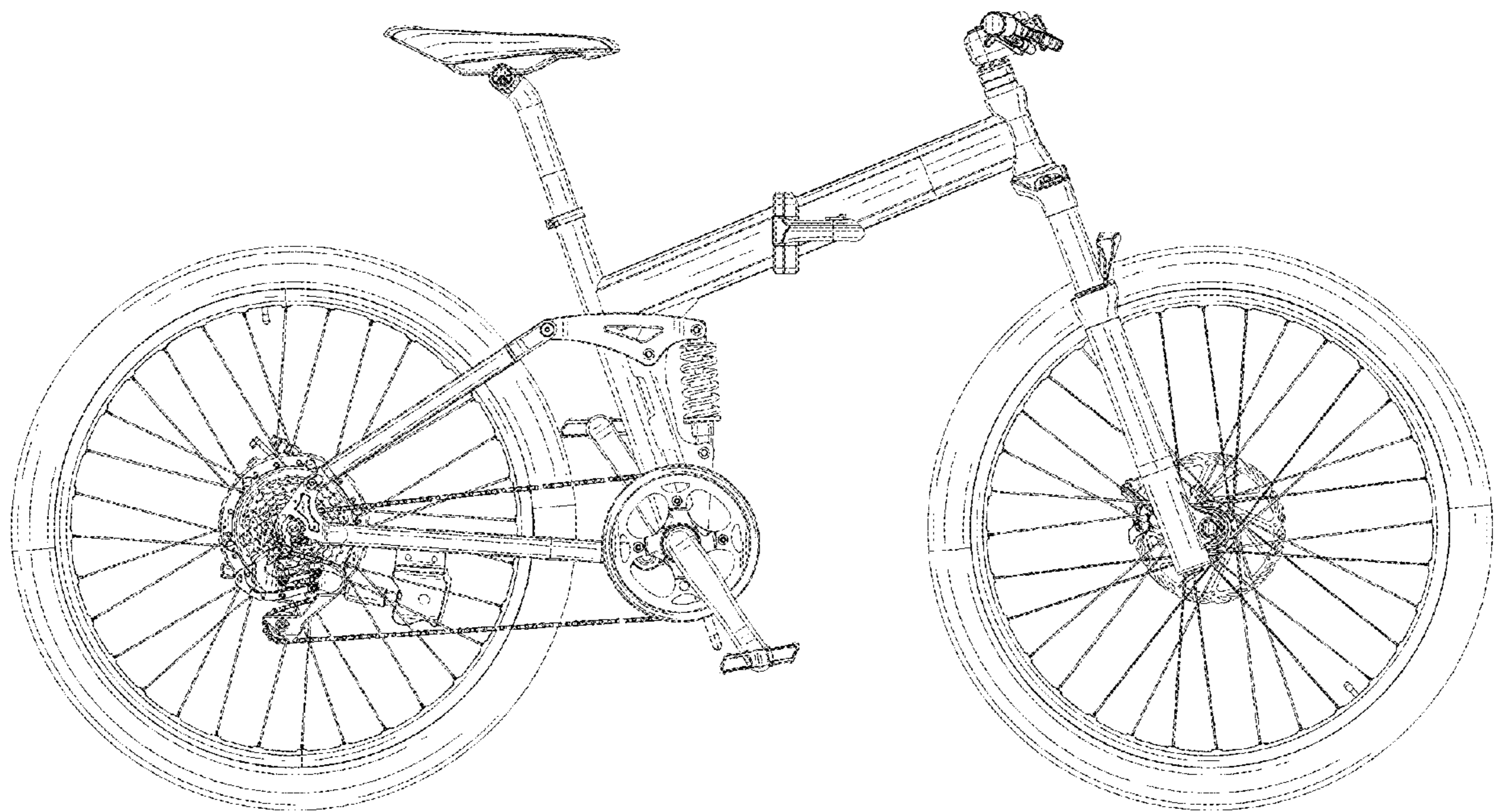


FIG. 3

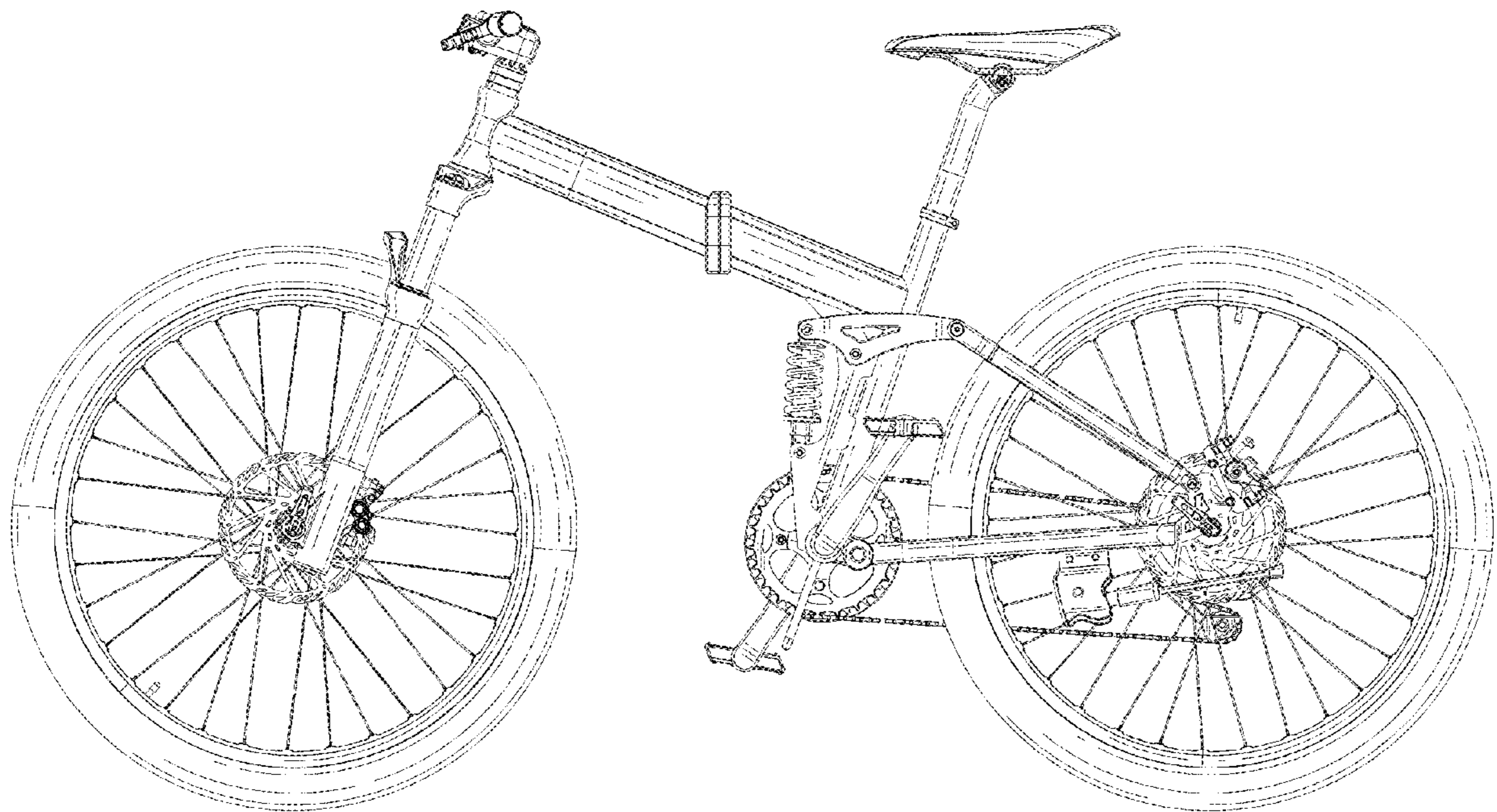


FIG. 4

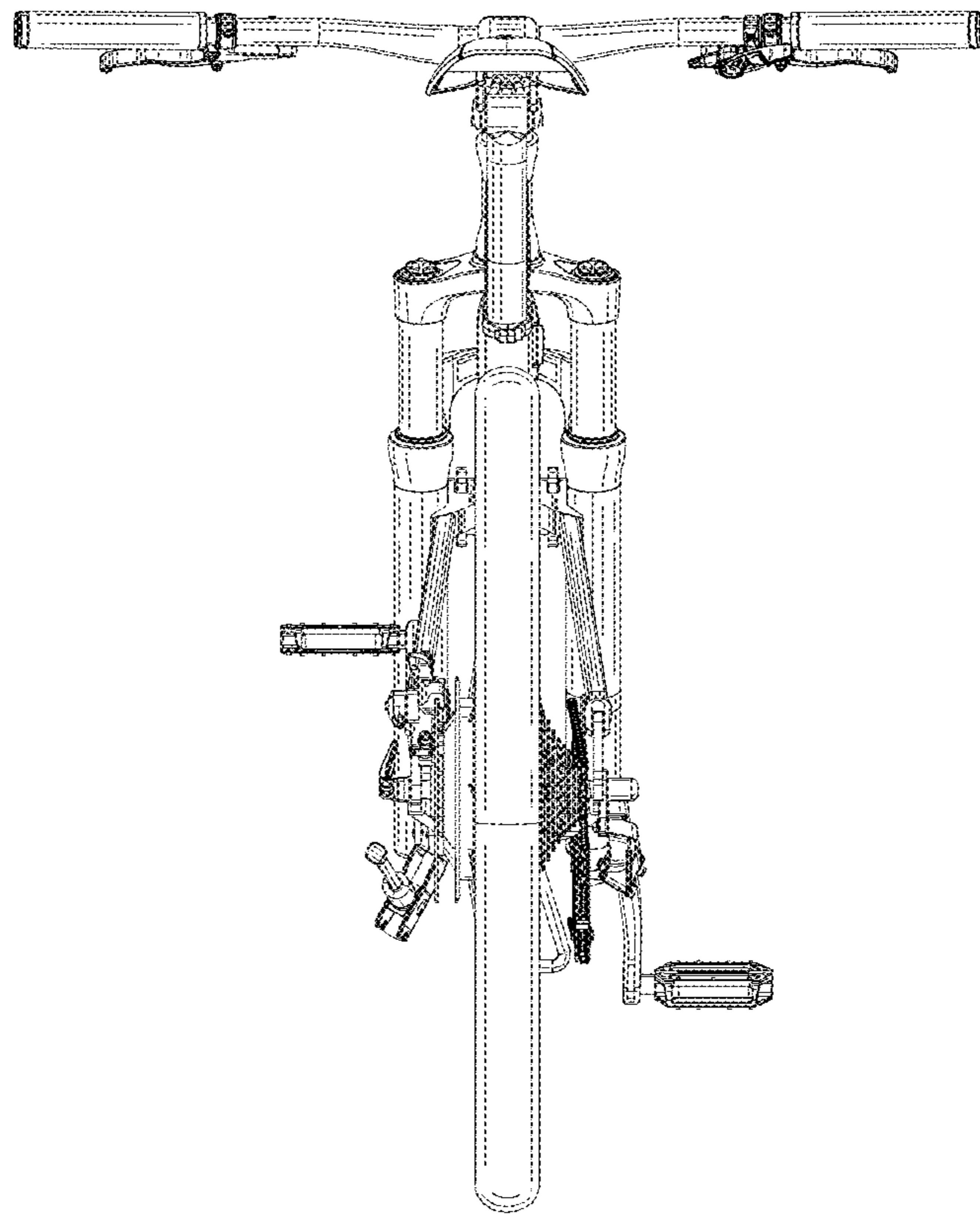


FIG. 5

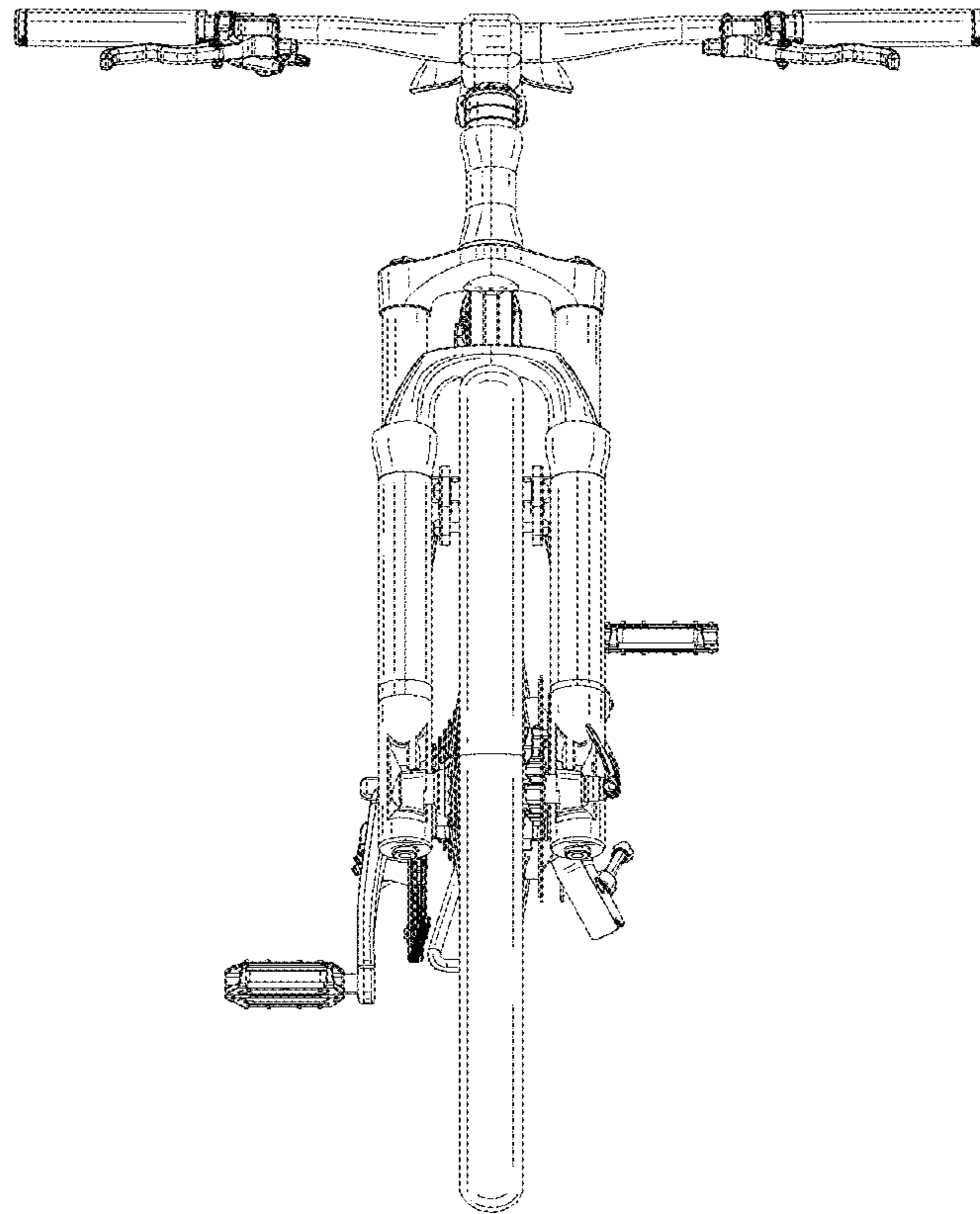


FIG. 6

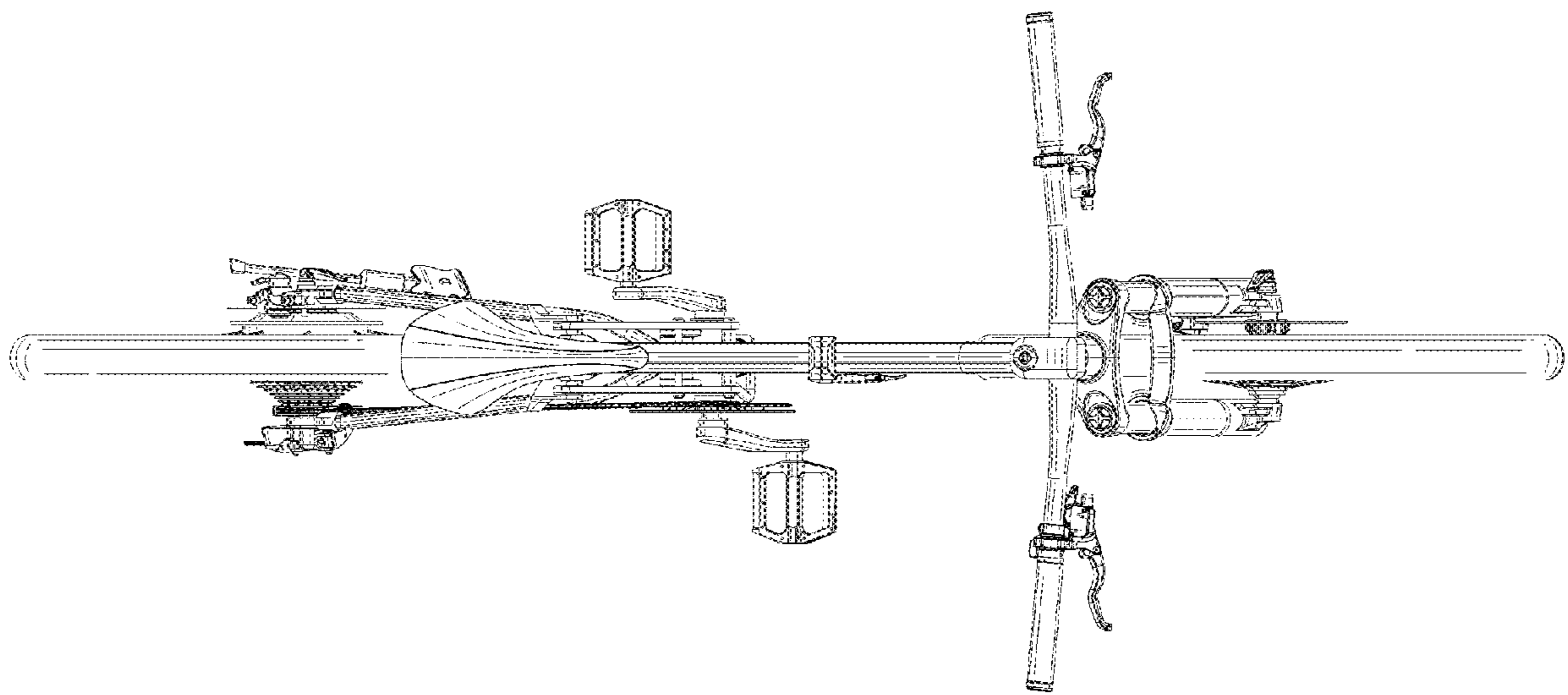


FIG. 7



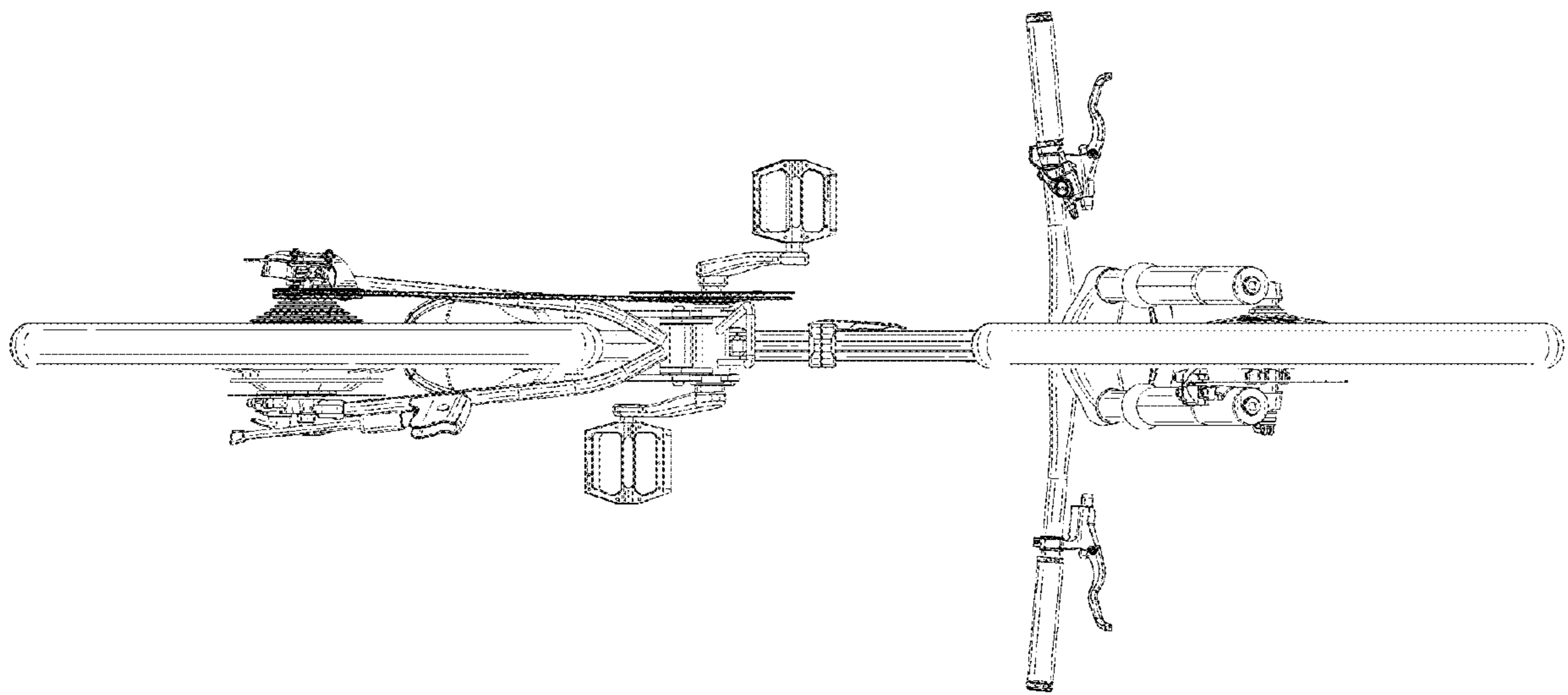


FIG. 8