



US00D924728S

(12) **United States Design Patent**
Burki

(10) **Patent No.:** **US D924,728 S**

(45) **Date of Patent:** **** Jul. 13, 2021**

(54) **MOTOR VEHICLE, TOY AND/OR REPLICA**

(71) Applicant: **Dr. Ing. h.c. F. Porsche**
Aktiengesellschaft, Stuttgart (DE)

(72) Inventor: **Emiel Burki, Stuttgart (DE)**

(73) Assignee: **Dr. Ing. h.c. F. Porsche**
Aktiengesellschaft

(**) Term: **15 Years**

(21) Appl. No.: **29/712,467**

(22) Filed: **Nov. 8, 2019**

(30) **Foreign Application Priority Data**

May 10, 2019 (DE) 402019100514.5

(51) **LOC (13) Cl.** **12-08**

(52) **U.S. Cl.**
USPC **D12/91**

(58) **Field of Classification Search**
USPC D12/86, 90-92, 88, 164; D21/424, 433,
D21/434, 548, 550; 296/181.1-181.5,
296/183.1
CPC B62D 25/00; B62D 25/06; B62D 33/00;
B62D 35/00
See application file for complete search history.

(56) **References Cited**

U.S. PATENT DOCUMENTS

D574,754 S * 8/2008 Miniati D12/92
D797,606 S * 9/2017 Oh D12/92

D808,302 S * 1/2018 Oh D12/92
D821,923 S * 7/2018 Lee D12/92
D826,781 S * 8/2018 Scheinhutte D12/91
D836,031 S * 12/2018 Lim D12/92
D855,497 S * 8/2019 Kim D12/91
D857,556 S * 8/2019 Scheinhutte D12/91
D858,354 S * 9/2019 Scheinhutte D12/91
D858,355 S * 9/2019 Scheinhutte D12/91
D865,568 S * 11/2019 Burki D12/92
D867,932 S * 11/2019 Yamashita D12/92
D868,630 S * 12/2019 Burki D12/92
D877,658 S * 3/2020 Burki D12/91
D902,080 S * 11/2020 Lim D12/91
D913,856 S * 3/2021 Lenglin D12/92

* cited by examiner

Primary Examiner — Melody N Brown

(74) *Attorney, Agent, or Firm* — RatnerPrestia

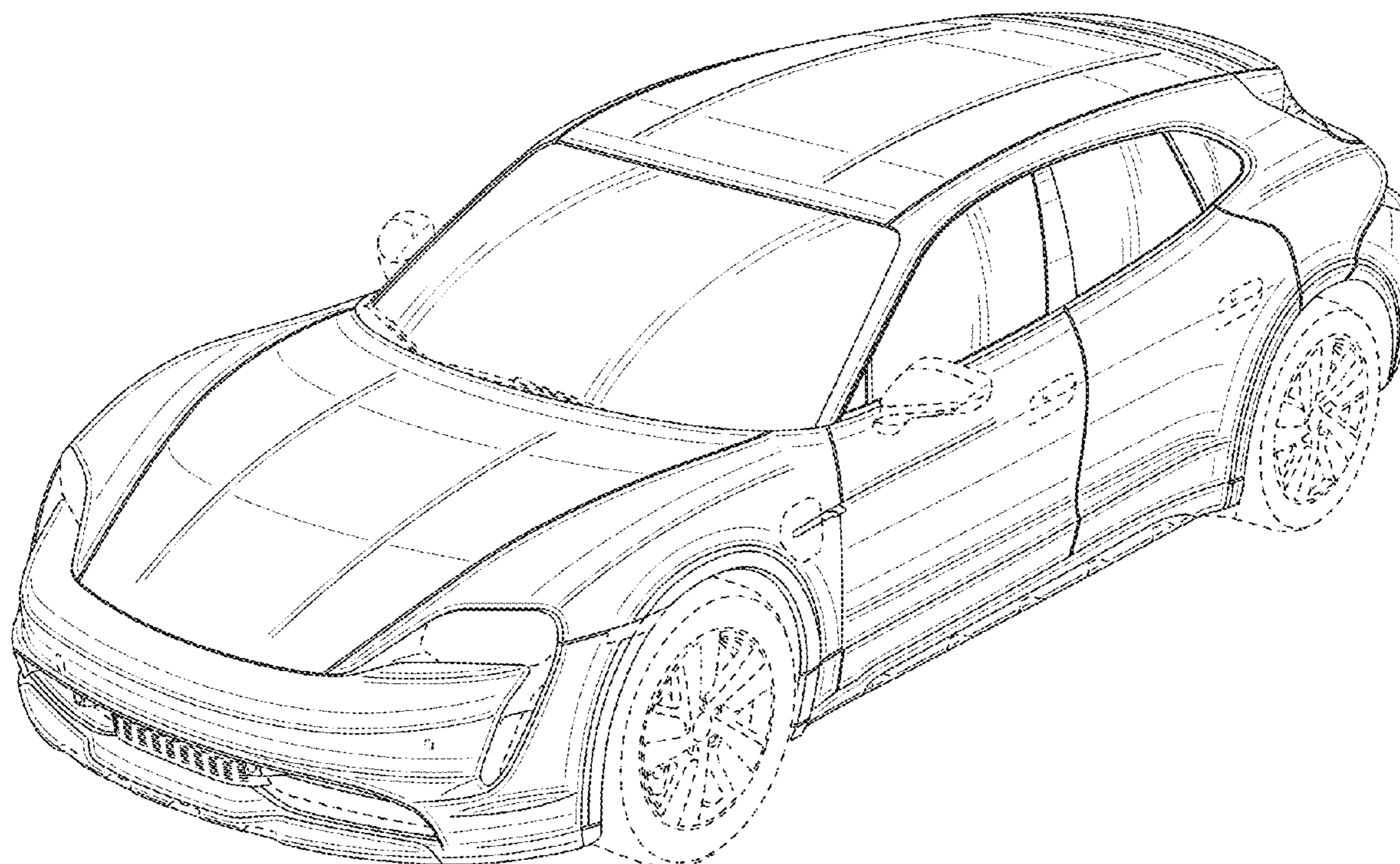
(57) **CLAIM**

The ornamental design for a motor vehicle, toy and/or replica, as shown and described.

DESCRIPTION

FIG. 1 is a front perspective view of a motor vehicle, toy and/or replica;
FIG. 2 is a front elevation view thereof;
FIG. 3 is a rear elevation view thereof;
FIG. 4 is an elevation view thereof taken from the right side, the left side being a substantial mirror image thereof; and,
FIG. 5 is a top plan view thereof.
The portions of the motor vehicle, toy and/or replica shown in broken lines are for illustrative and environmental purposes and form no part of the claimed design.

1 Claim, 5 Drawing Sheets



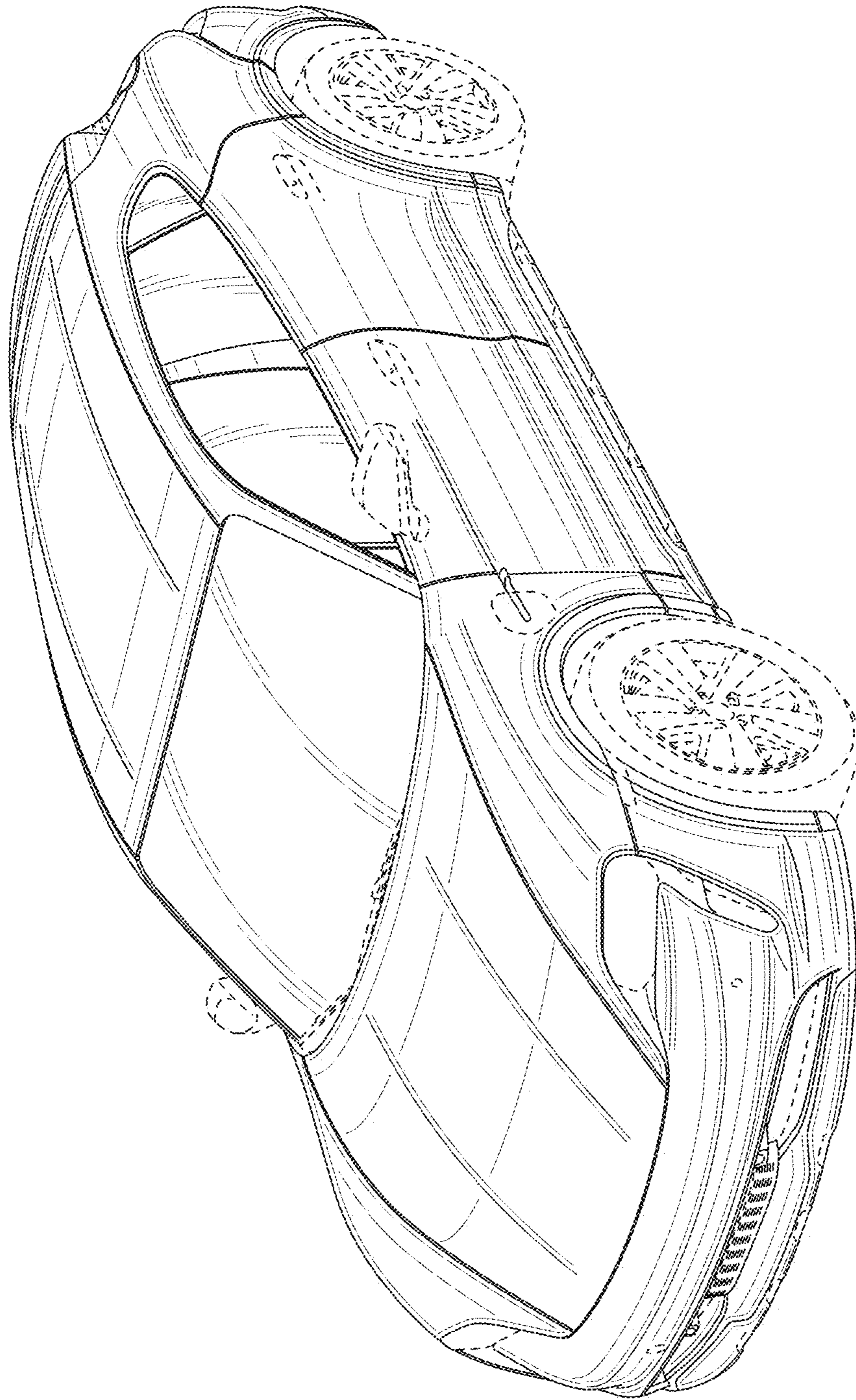


FIG. 1

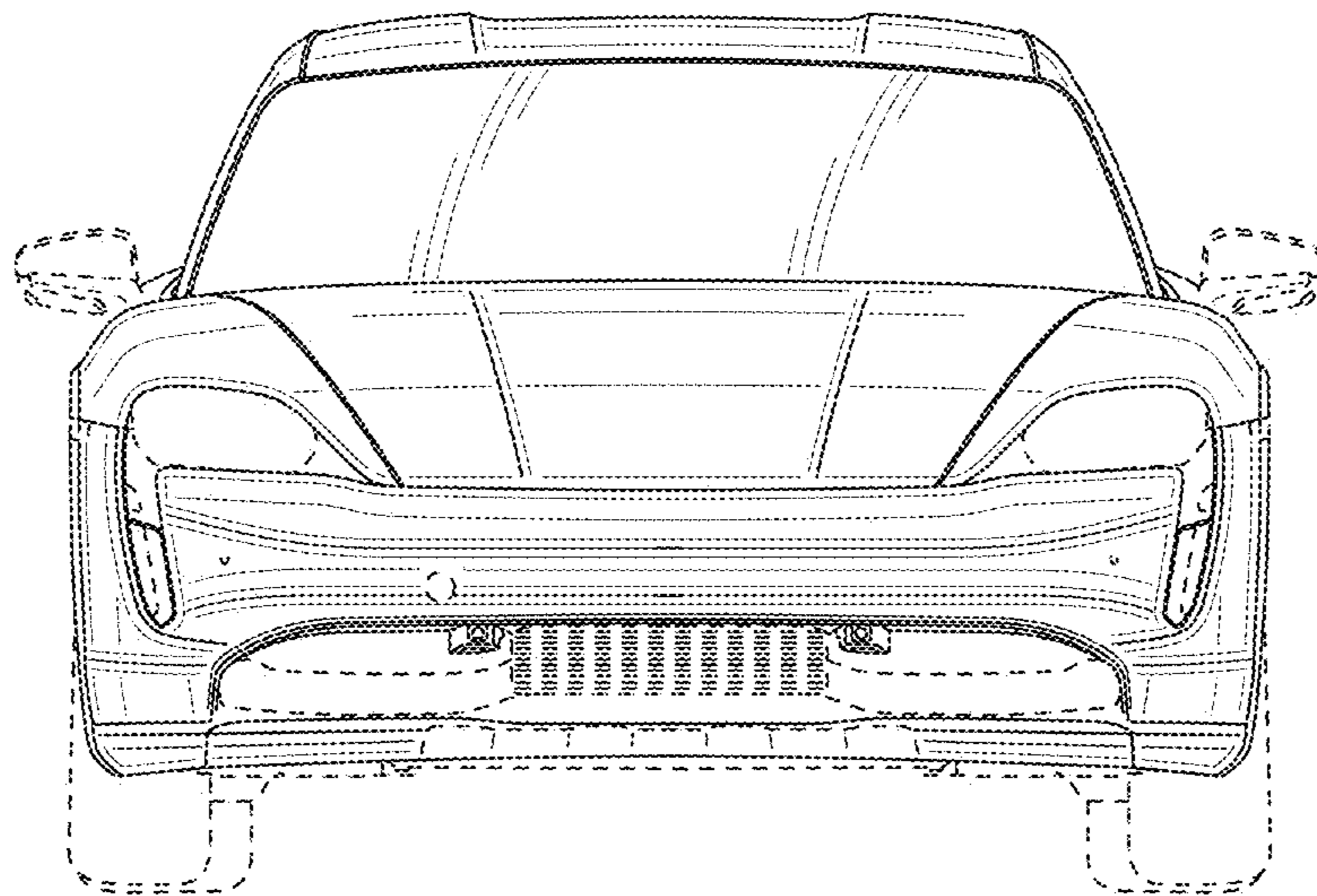


FIG. 2

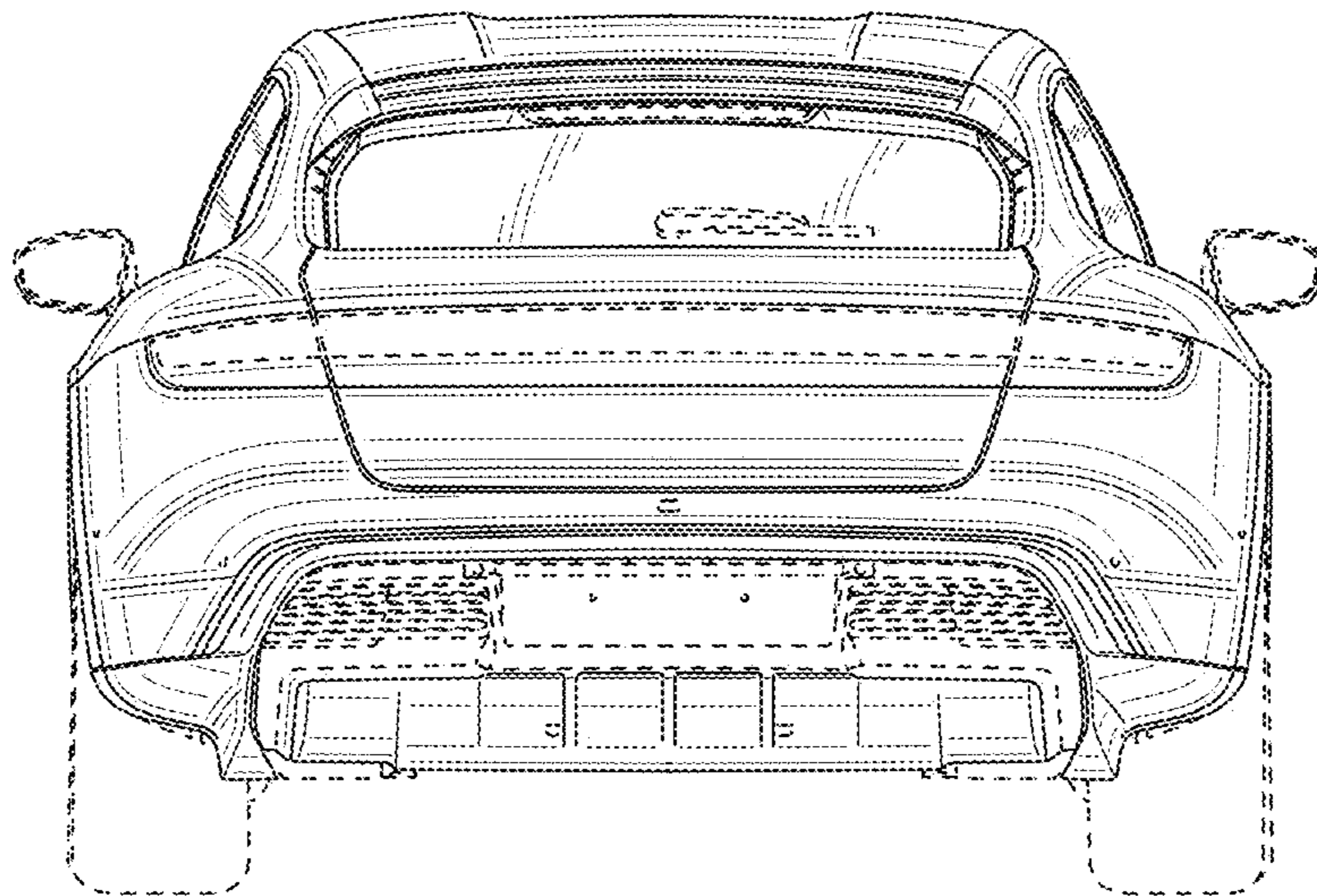


FIG. 3

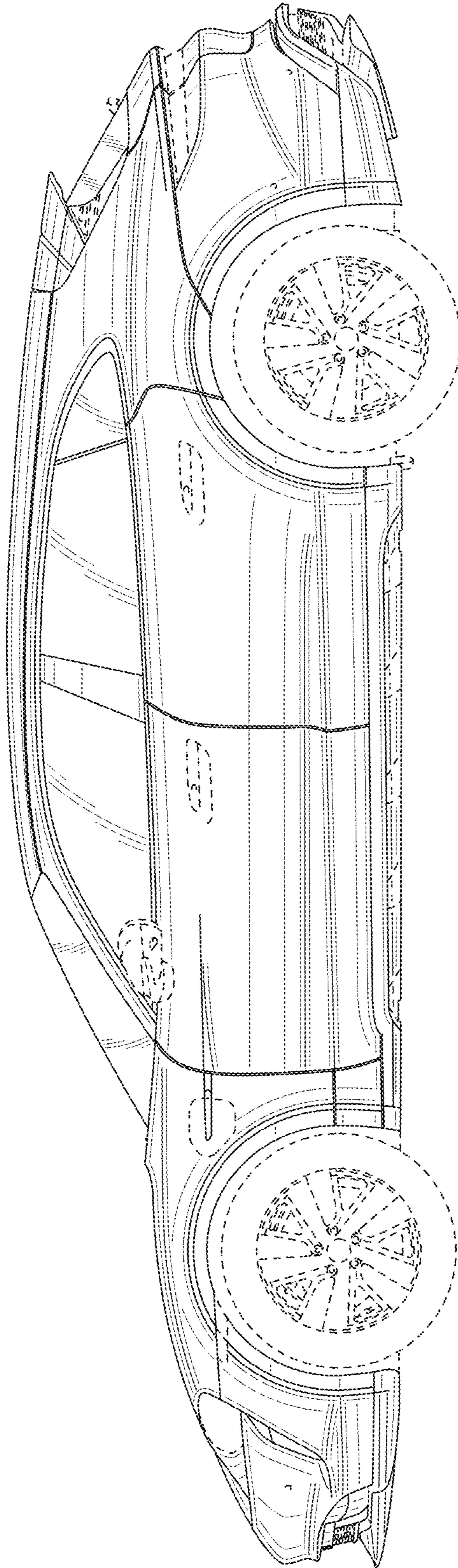


FIG. 4

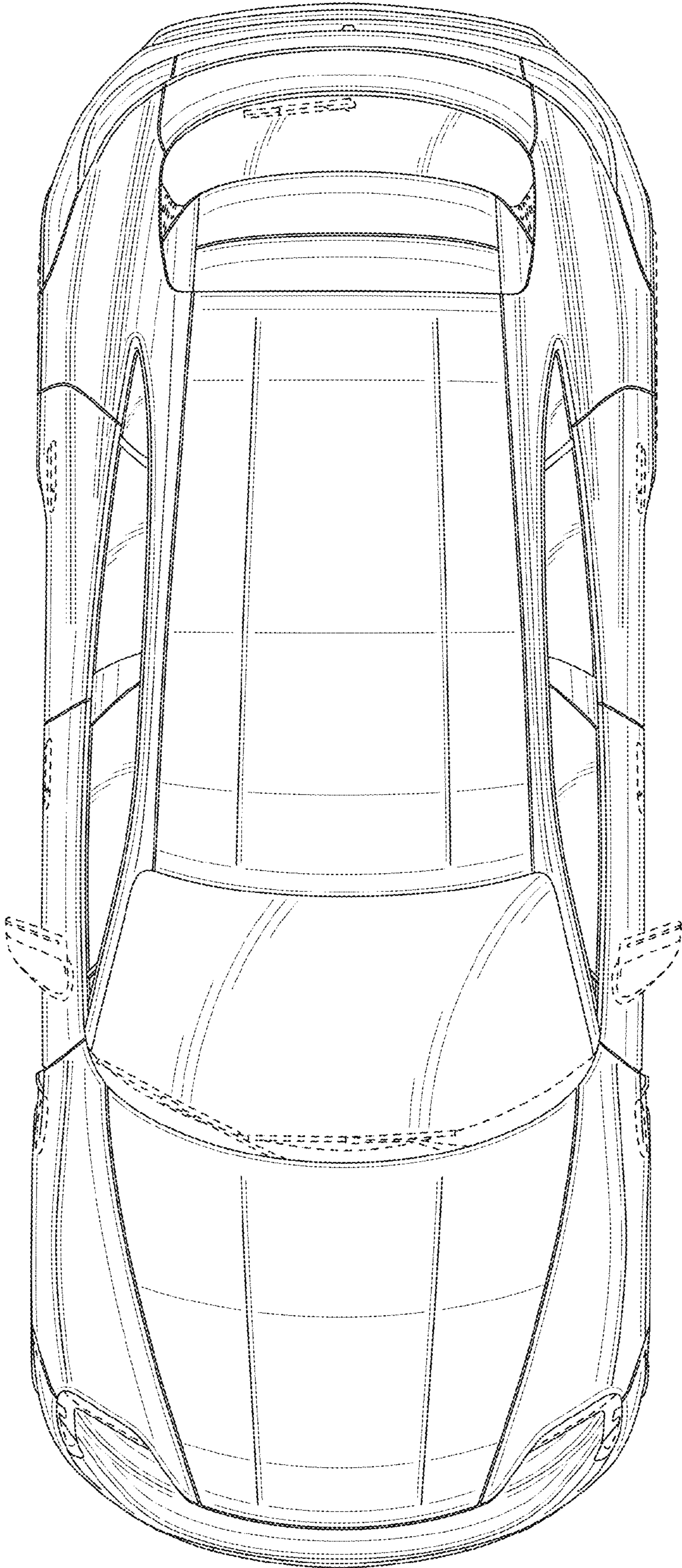


FIG. 5